



US00D849445S

(12) **United States Design Patent**
Li

(10) **Patent No.:** **US D849,445 S**

(45) **Date of Patent:** **** May 28, 2019**

(54) **MATTRESS**

FOREIGN PATENT DOCUMENTS

(71) Applicant: **Xiamen Comfier Technology Co., Ltd.**, Fujian (CN)

GB 722867 A * 2/1955 A47C 27/00
JP 10201576 A * 8/1998

(72) Inventor: **Jianqing Li**, Fujian (CN)

* cited by examiner

(**) Term: **15 Years**

Primary Examiner — R. Johnson

(21) Appl. No.: **29/631,340**

(74) *Attorney, Agent, or Firm* — Prakash Nama; Global IP Services, PLLC

(22) Filed: **Dec. 29, 2017**

(51) **LOC (11) Cl.** **06-09**

(57) **CLAIM**

(52) **U.S. Cl.**
USPC **D6/596**

The ornamental design for a mattress, as shown and described.

(58) **Field of Classification Search**

USPC D6/595, 596, 604–606; 5/413 AM, 420, 5/690, 691, 697–701, 706, 716–718, 722, 5/737, 740
CPC A47C 23/00; A47C 27/00; A47C 27/001; A47C 27/05; A47C 27/053; A47C 27/056; A47C 27/06; A47C 27/14; A47C 27/142

DESCRIPTION

See application file for complete search history.

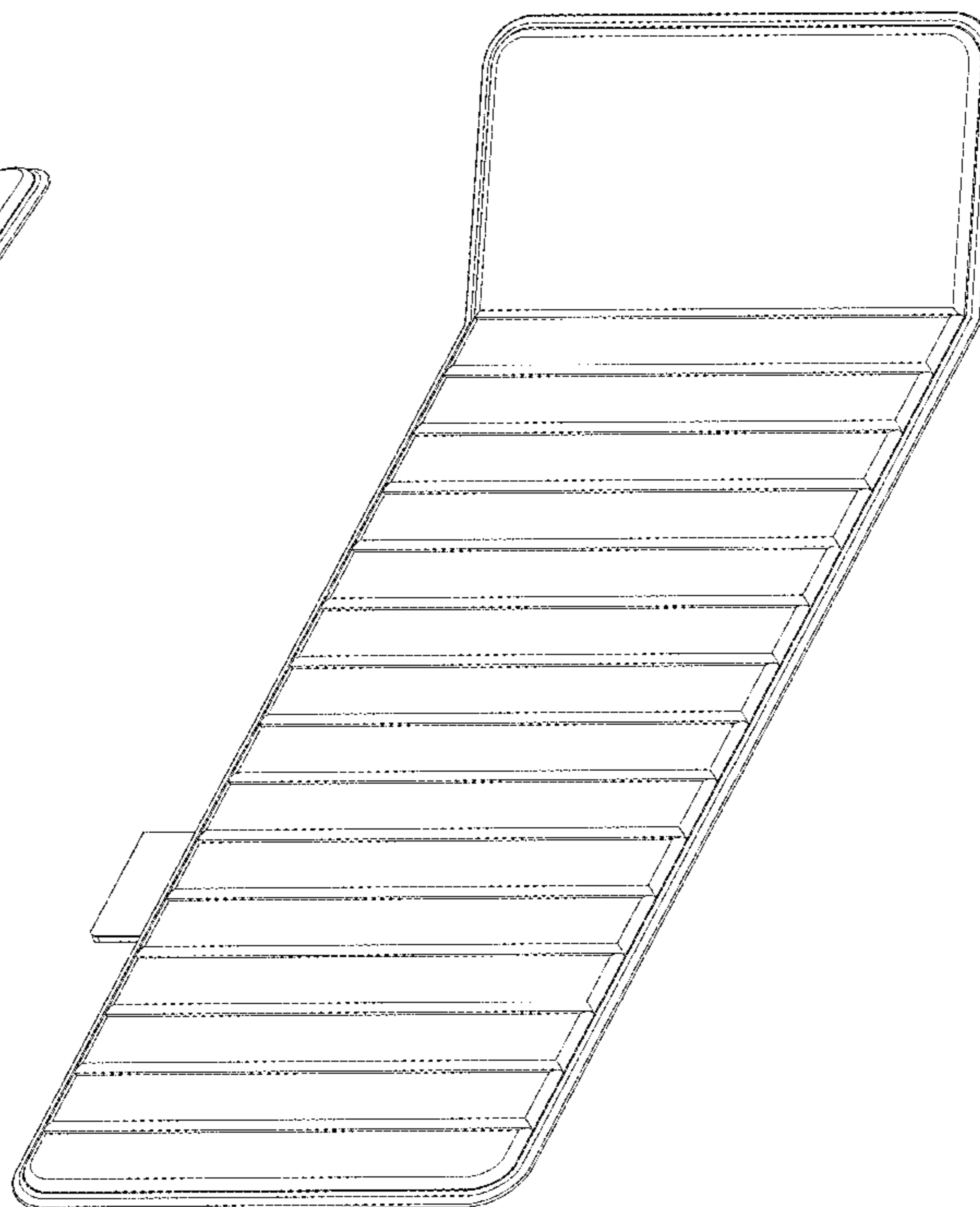
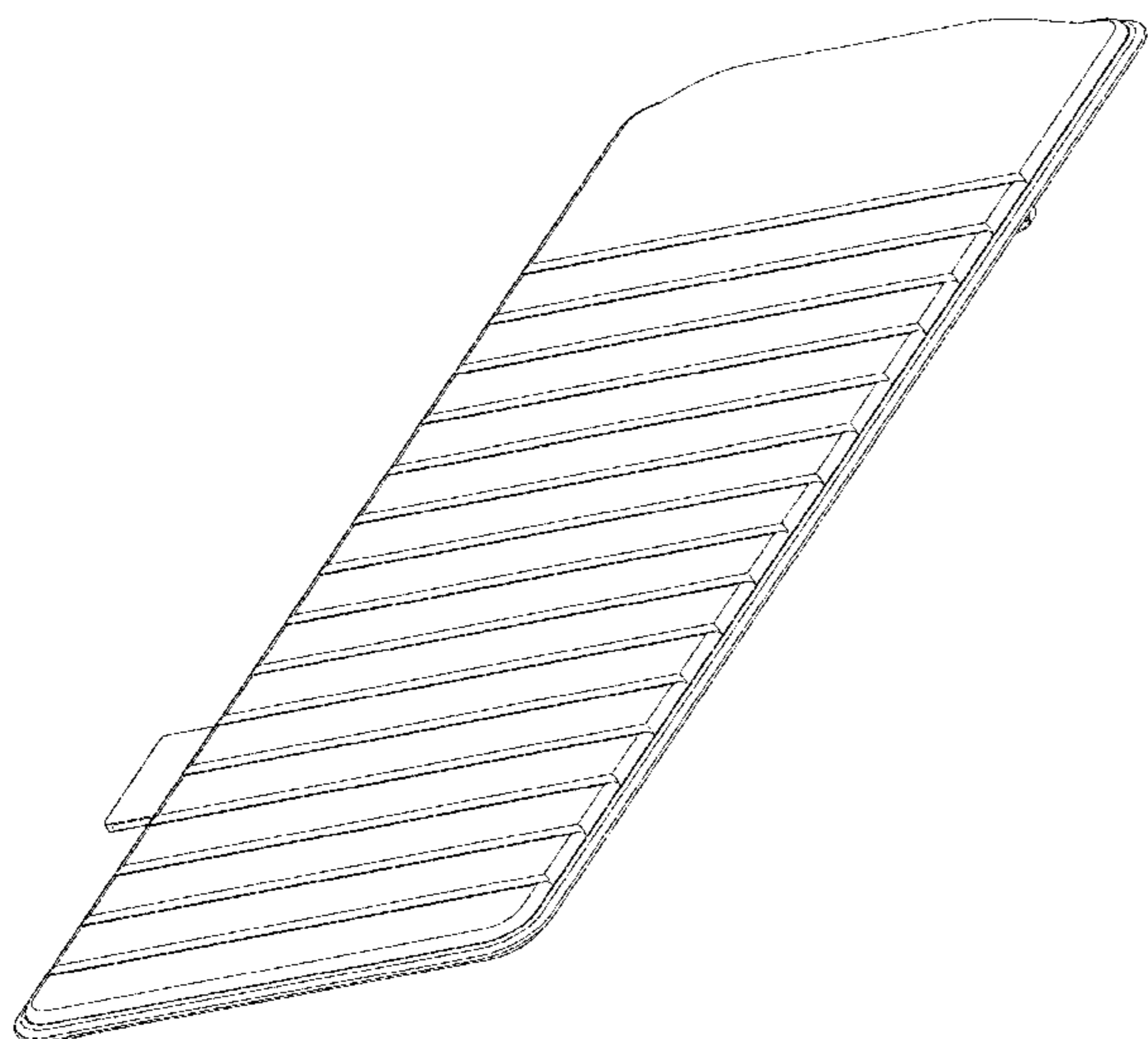
FIG. 1 is a front elevational view of a mattress showing my new design;
FIG. 2 is a rear elevational view thereof;
FIG. 3 is a left side view thereof;
FIG. 4 is a right side view thereof;
FIG. 5 is a top plan view thereof;
FIG. 6 is a bottom plan view thereof;
FIG. 7 is a perspective view thereof;
FIG. 8 is another perspective view thereof;
FIG. 9 is a perspective view in state of use; and,
FIG. 10 is another perspective view in state of use.
The broken lines shown in FIG. 10 form no part of the claimed design.

(56) **References Cited**

U.S. PATENT DOCUMENTS

1,457,203 A * 5/1923 Wick A47C 27/125
5/722
2,013,562 A * 9/1935 Karr A47C 27/12
5/690
D455,036 S * 4/2002 Ku D6/604
D513,657 S * 1/2006 Jaskuloski D2/719

1 Claim, 8 Drawing Sheets



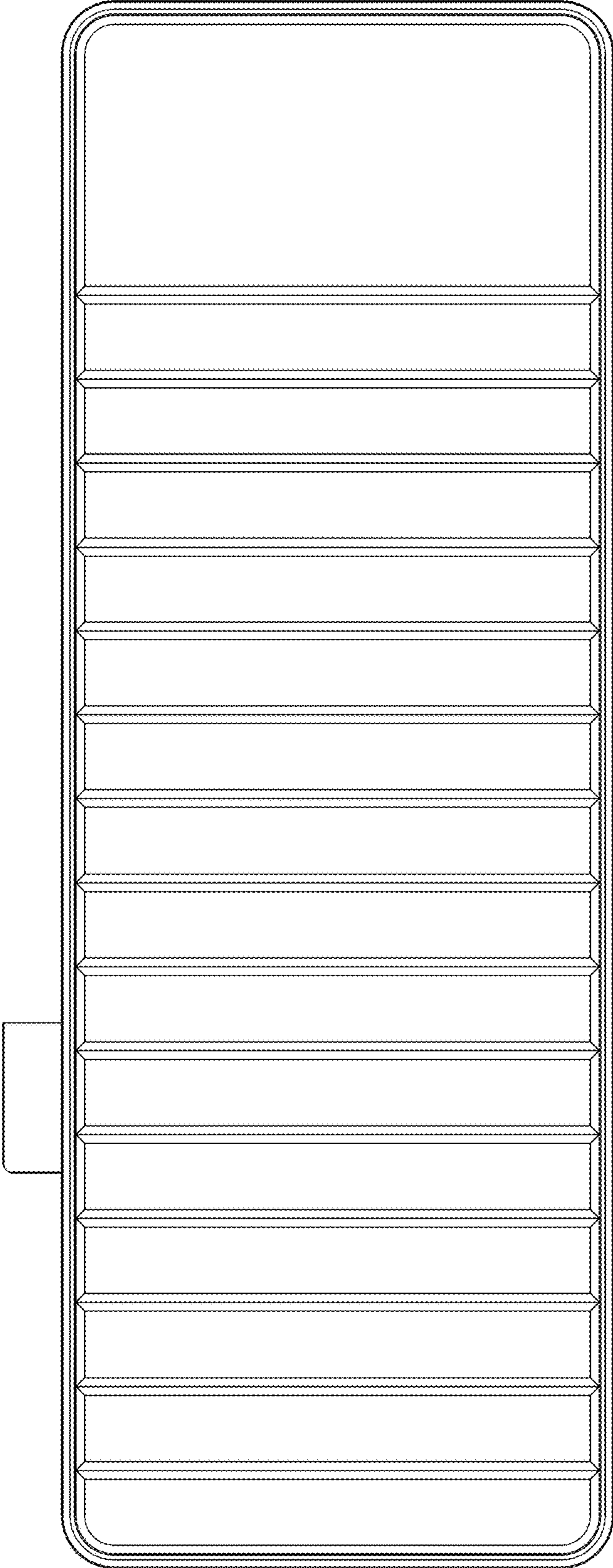


FIG. 1

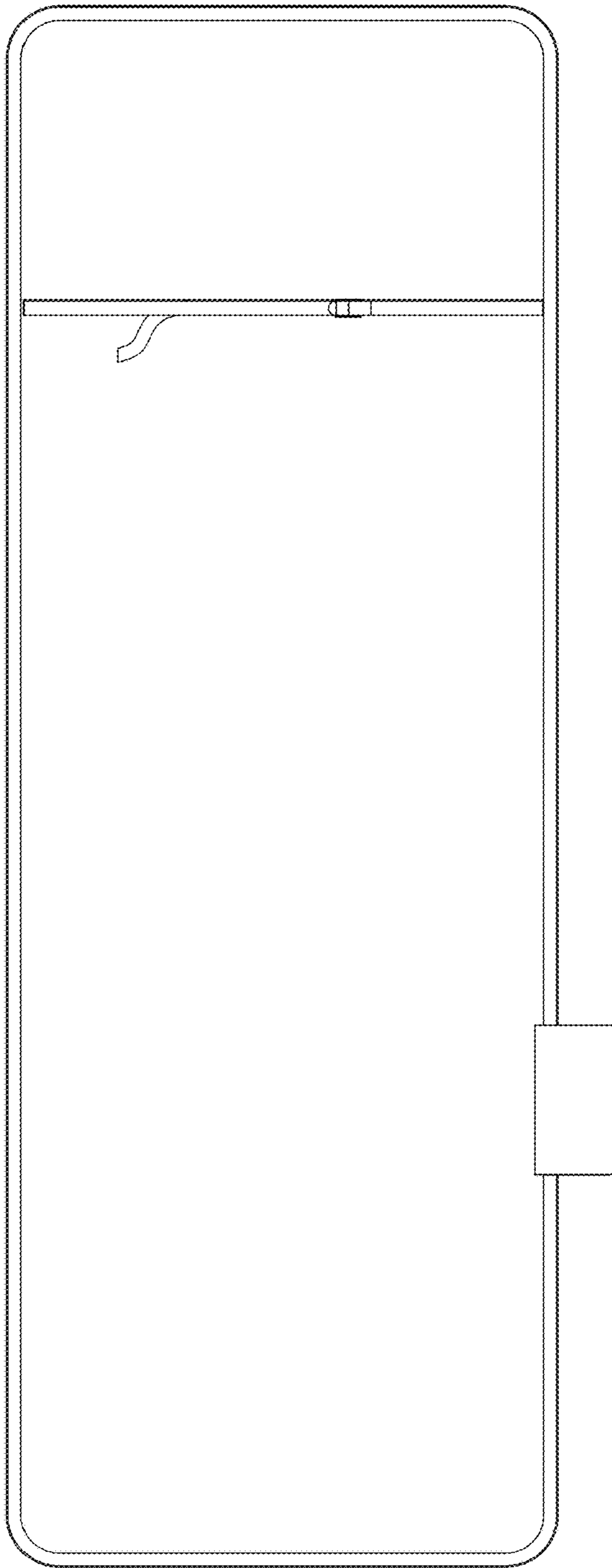


FIG. 2

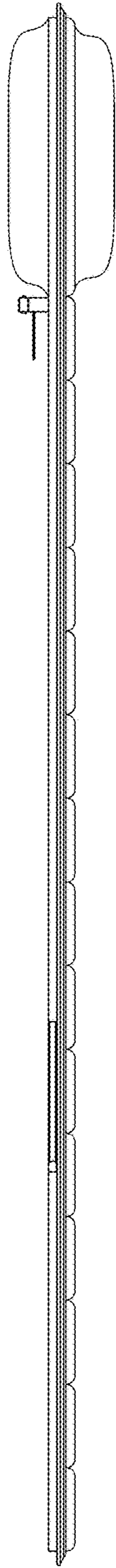


FIG. 3

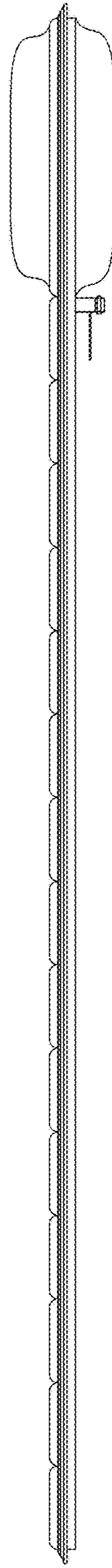


FIG. 4

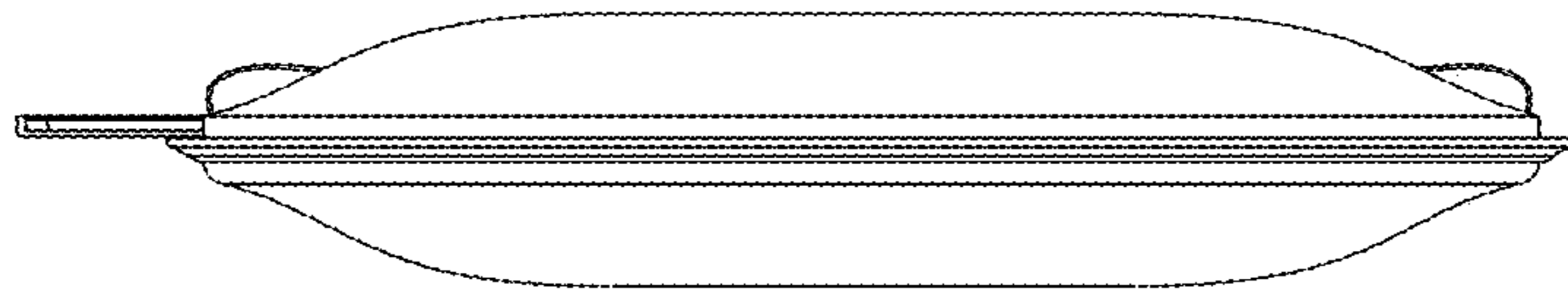


FIG. 5

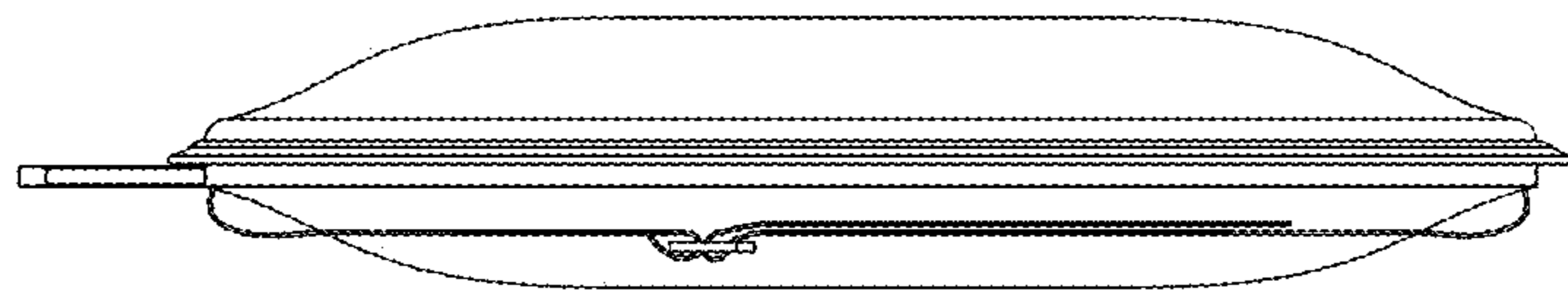


FIG. 6

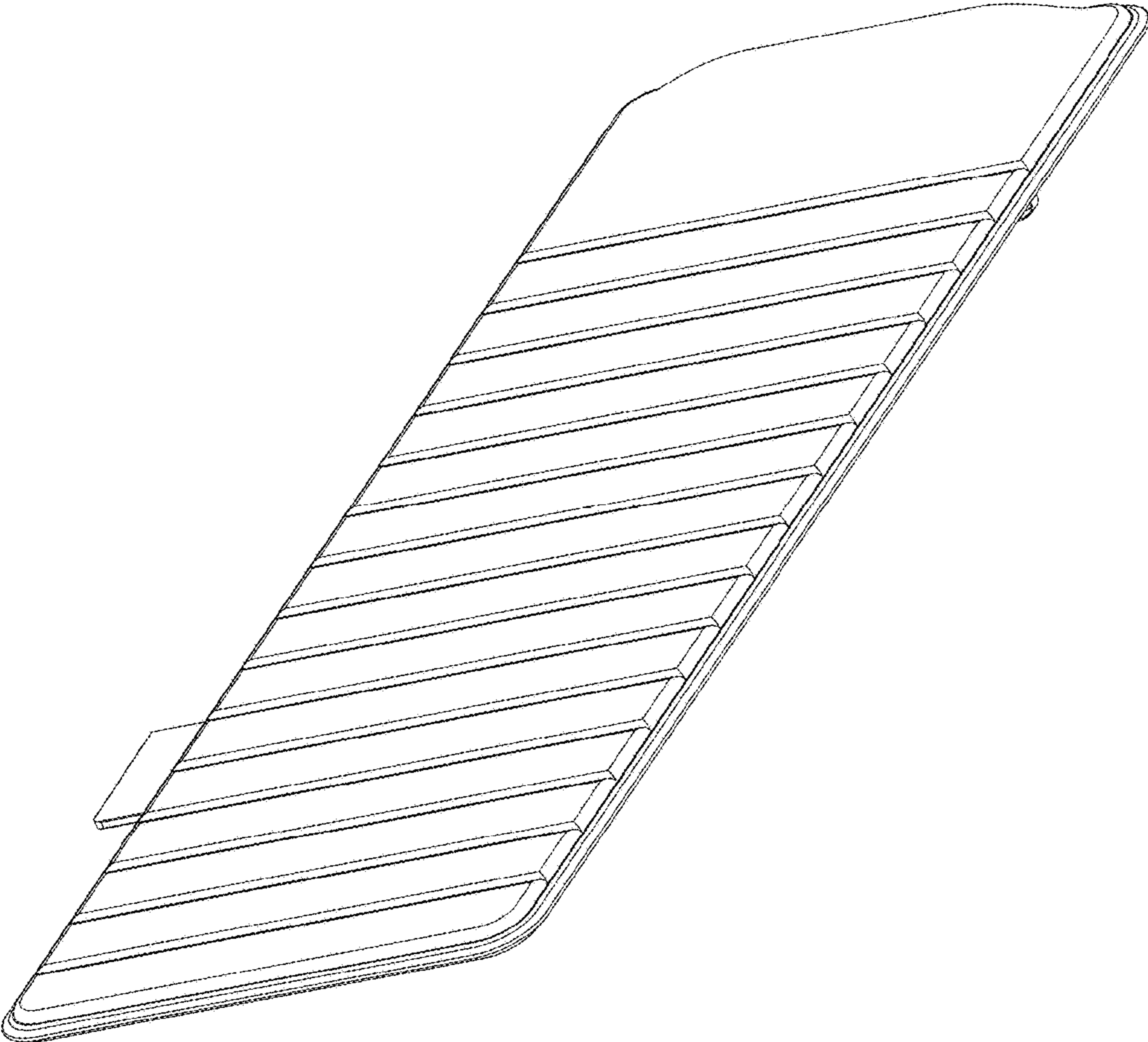


FIG. 7

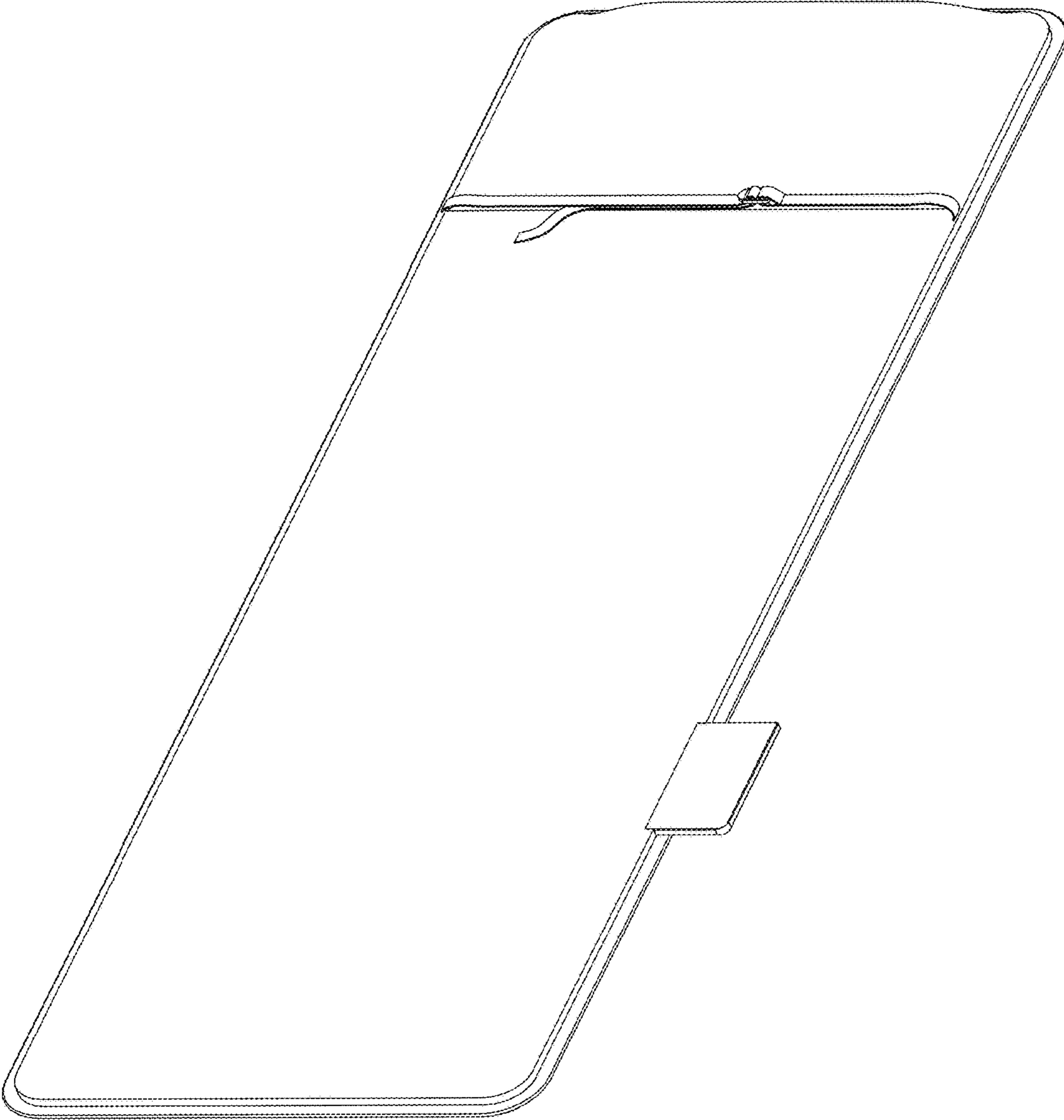


FIG. 8

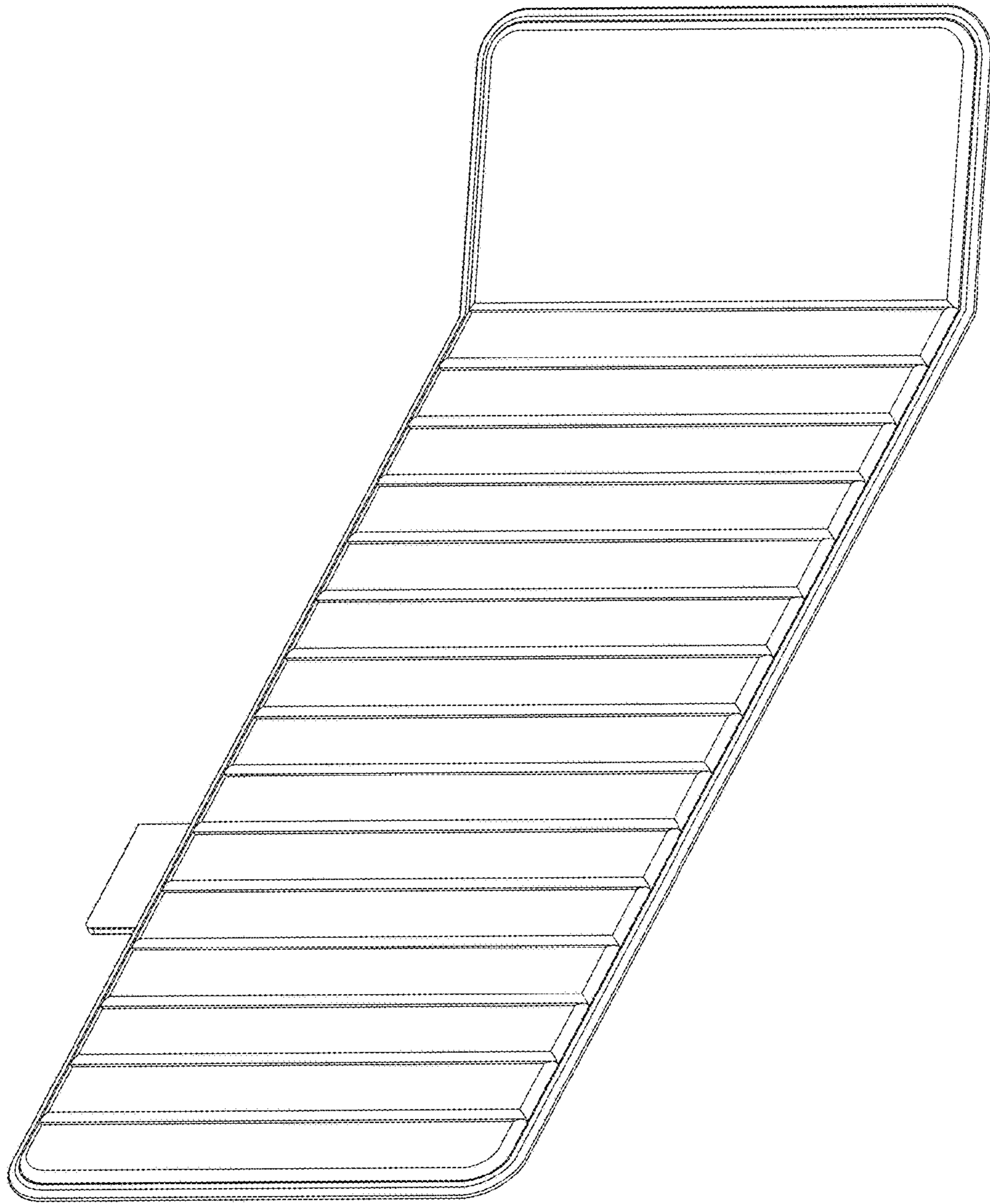


FIG. 9

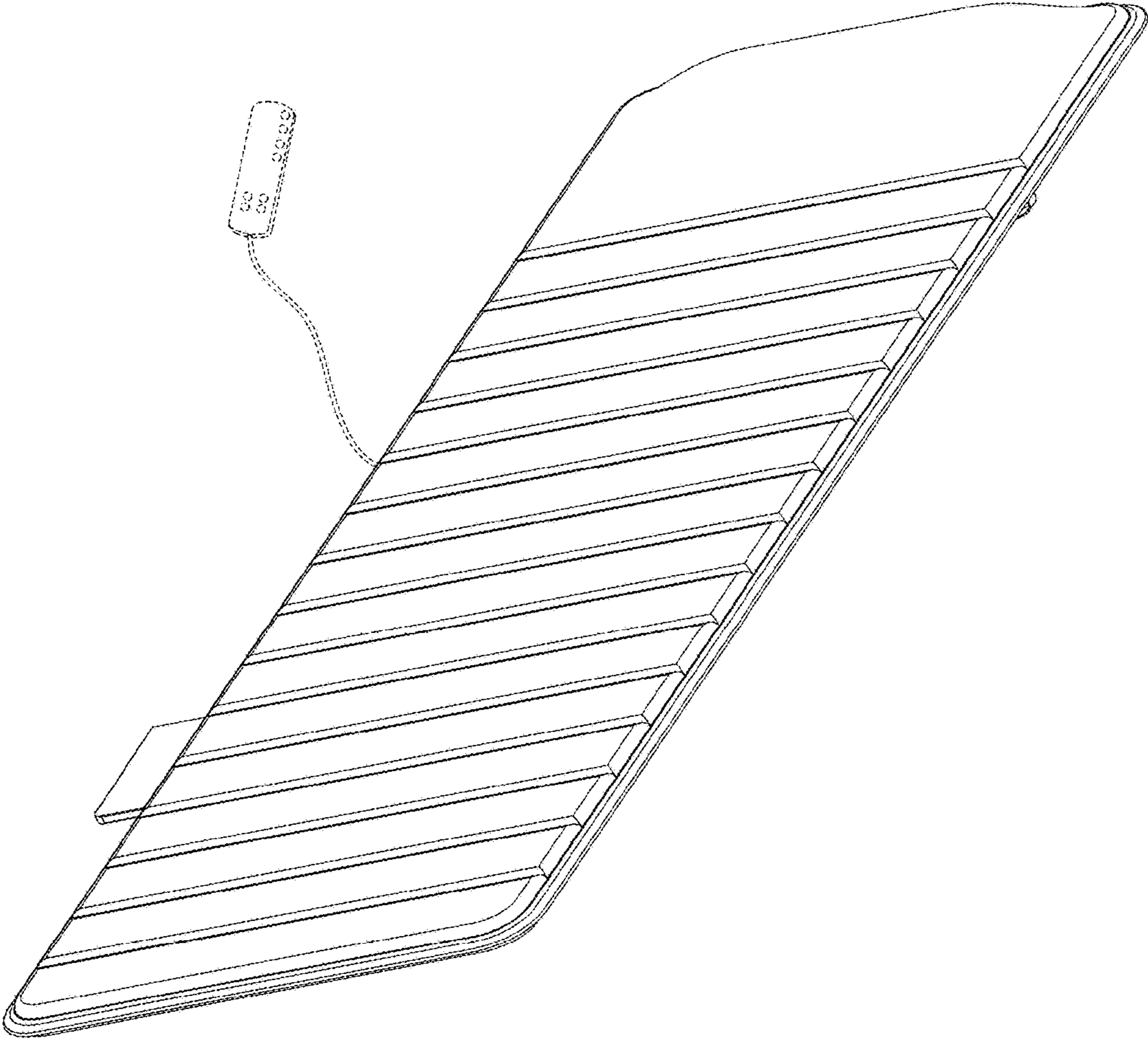


FIG. 10