



US00D849444S

(12) **United States Design Patent**  
**Spuij et al.**

(10) **Patent No.:** **US D849,444 S**

(45) **Date of Patent:** **\*\* May 28, 2019**

(54) **RUG FOR PICKNICKING**

(71) Applicant: **Woepa VOF**, Den Helder (NL)

(72) Inventors: **Wessel Spuij**, Den Helder (NL); **Virgil Jeffrey Freeth**, Den Helder (NL)

(73) Assignee: **Woepa VOF**, Pluto (NL)

(\*\*) Term: **15 Years**

(21) Appl. No.: **29/605,379**

(22) Filed: **May 25, 2017**

(30) **Foreign Application Priority Data**

Nov. 28, 2016 (WO) ..... 58704

(51) **LOC (11) Cl.** ..... **06-11**

(52) **U.S. Cl.**  
USPC ..... **D6/592**

(58) **Field of Classification Search**  
USPC ..... D6/582-592; D12/203; D24/212-213;  
D23/261; D32/55, 57  
CPC ..... A47G 23/0303; A47G 23/0309; A47G  
27/00; A47G 27/02; A47G 27/0212;  
A47G 27/0218; A47G 27/0225; A47G  
27/0237; A47G 27/0243; A47G 33/045;  
A47G 9/069; A63B 21/4037  
See application file for complete search history.

(56) **References Cited**

U.S. PATENT DOCUMENTS

4,794,029 A \* 12/1988 Tennant ..... A45C 3/10  
190/1  
5,059,463 A \* 10/1991 Peters ..... A47G 9/06  
135/116  
D328,937 S \* 8/1992 Becella ..... D21/792  
D355,096 S \* 2/1995 Lang ..... D10/126  
D384,854 S \* 10/1997 Olender ..... D6/608  
5,693,398 A \* 12/1997 Granger ..... A45C 3/10  
383/4

D391,797 S \* 3/1998 Vuori ..... A47G 9/06  
D6/608  
D414,067 S \* 9/1999 Wickline ..... A47G 9/062  
D2/824  
6,185,765 B1 \* 2/2001 High ..... A47G 9/06  
5/417  
D487,823 S \* 3/2004 Wang ..... A47G 9/062  
D30/118  
D493,657 S \* 8/2004 Farago ..... D6/608  
6,901,615 B1 \* 6/2005 Lombardo ..... A47G 9/062  
5/417  
7,096,526 B1 \* 8/2006 Ogan ..... A47G 9/062  
5/417

(Continued)

*Primary Examiner* — Kevin K Rudzinski

*Assistant Examiner* — Clare Ann Gannon

(74) *Attorney, Agent, or Firm* — Tully Rinckey PLLC;  
Steven M. Hoffberg

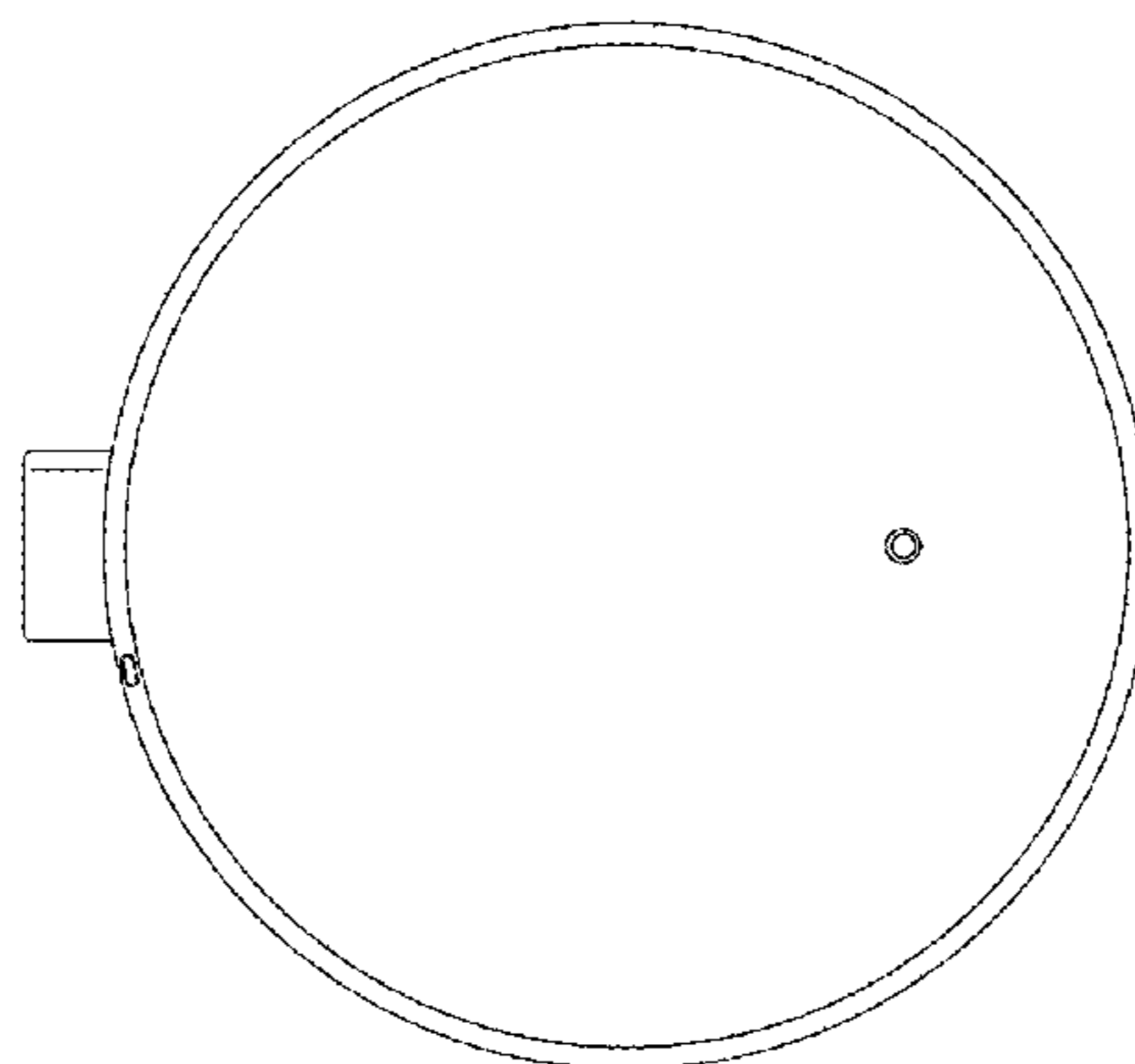
(57) **CLAIM**

The ornamental design for a rug for picnicking, as shown and described.

**DESCRIPTION**

FIG. 1 shows a top plan view of a rug for picnicking, showing our new design;  
FIG. 2 shows a bottom plan view thereof;  
FIG. 3 shows a front elevational view thereof;  
FIG. 4 shows a left elevational view thereof;  
FIG. 5 shows a right elevational view thereof;  
FIG. 6 shows a back elevational view thereof;  
FIG. 7 shows a top right perspective view thereof;  
FIG. 8 shows a detail perspective view taken from inset “8” of FIG. 7; and,  
FIG. 9 shows a detail perspective view taken from inset “9” of FIG. 7.  
The portions of the article shown in broken lines are not included in the claim, or depict environment that is not included in the claim.

**1 Claim, 5 Drawing Sheets**



(56)

**References Cited**

U.S. PATENT DOCUMENTS

D547,102 S \* 7/2007 Overstreet ..... D6/608  
D632,481 S \* 2/2011 Detwiler ..... D3/233  
D639,595 S \* 6/2011 Edgemont ..... D6/595  
D714,078 S \* 9/2014 Russo, Jr. .... A47G 9/062  
D6/608  
D741,619 S \* 10/2015 Armstead ..... D6/595  
D776,459 S \* 1/2017 Ibarra ..... D6/603  
2012/0128268 A1\* 5/2012 Fazackerley ..... A45C 9/00  
383/4  
2013/0305450 A1\* 11/2013 Douglas ..... A47G 9/0223  
5/484  
2017/0266485 A1\* 9/2017 Willis ..... A63B 21/4037

\* cited by examiner

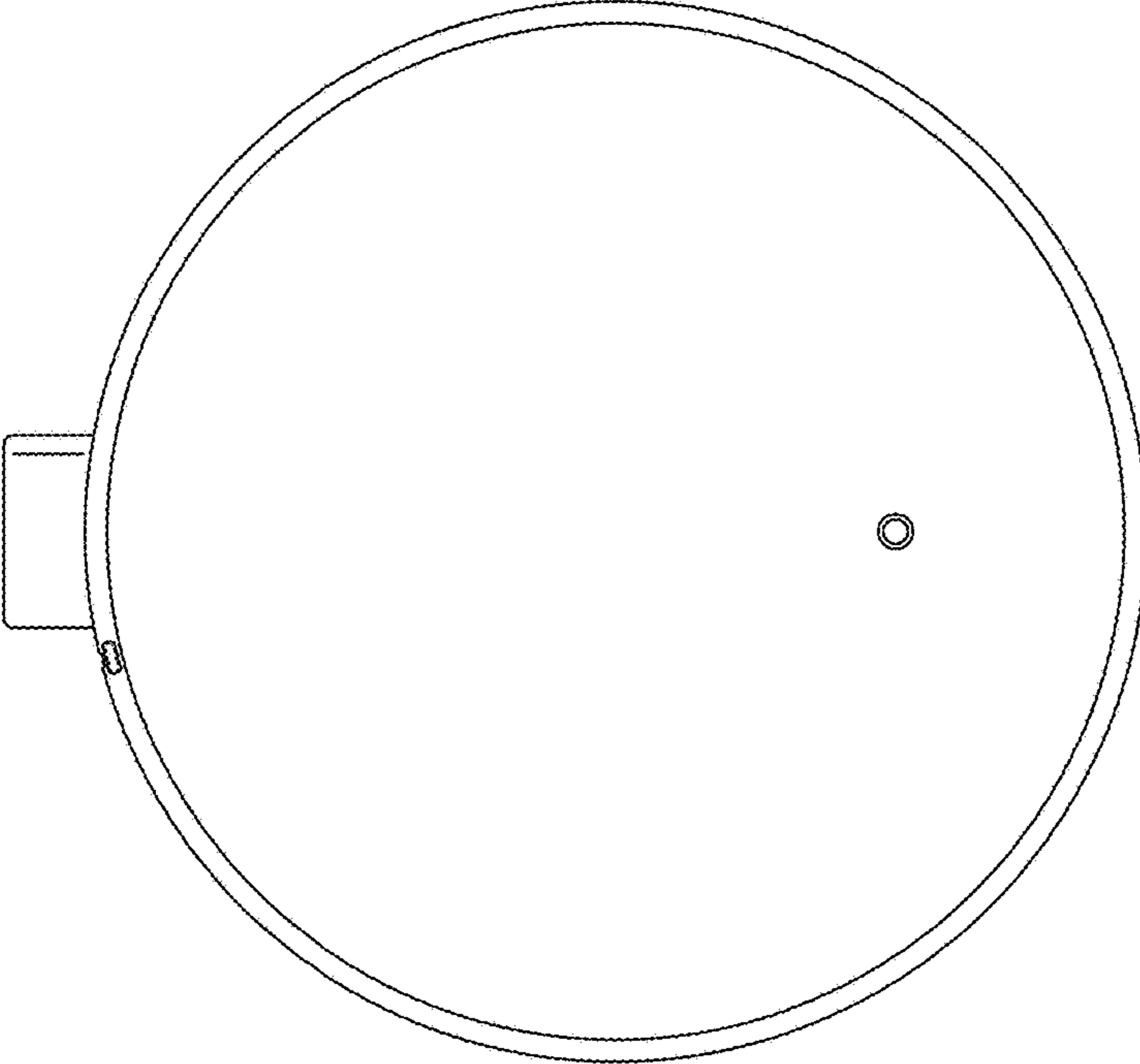


FIG. 1

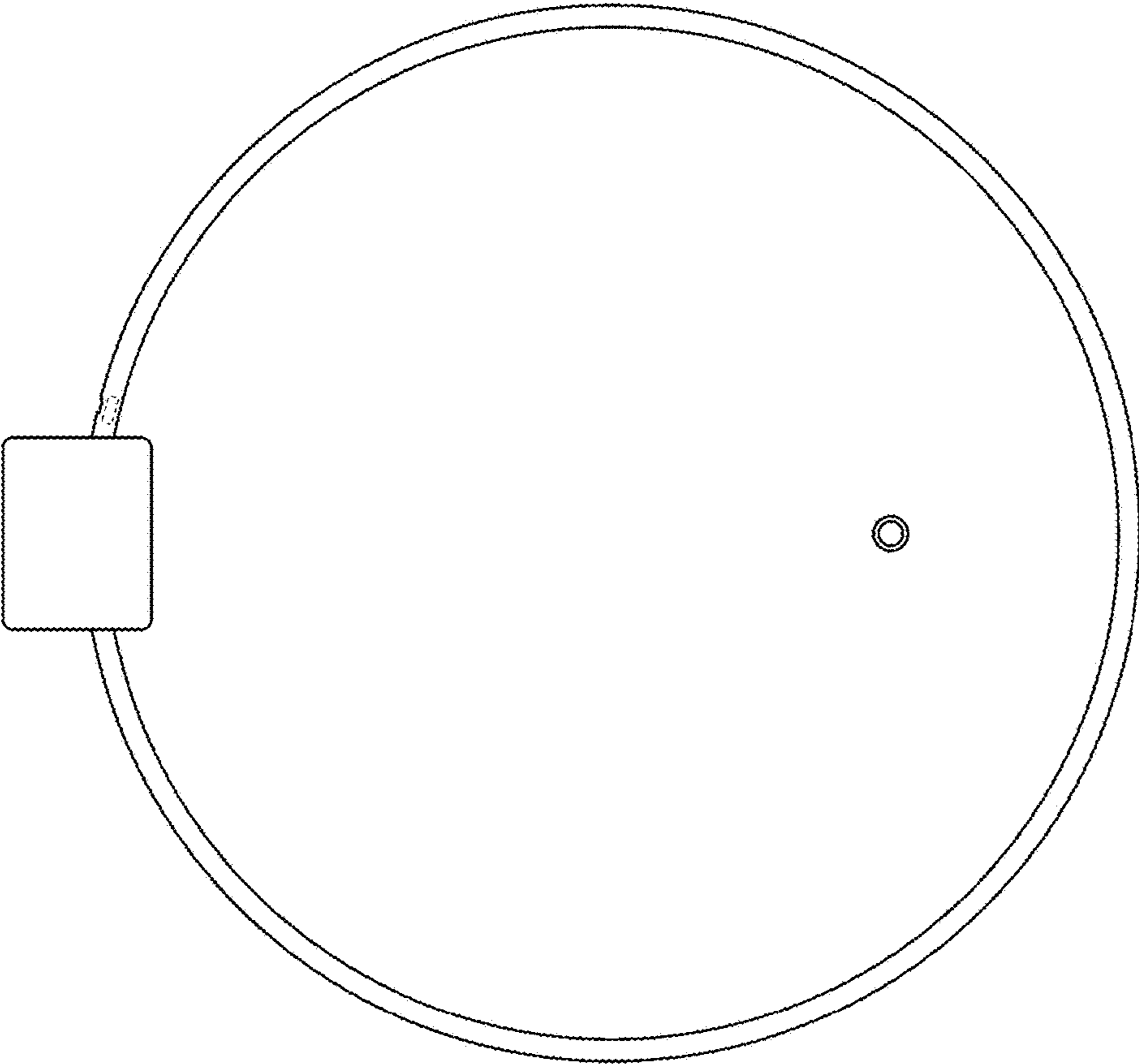


FIG. 2

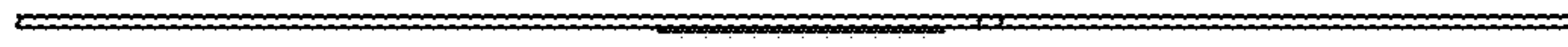


FIG. 3

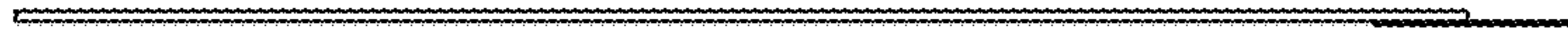


FIG. 4

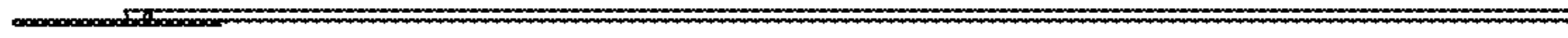


FIG. 5

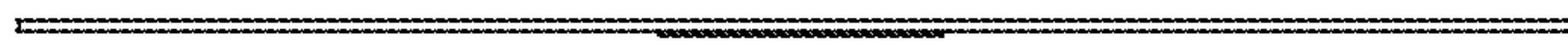


FIG. 6

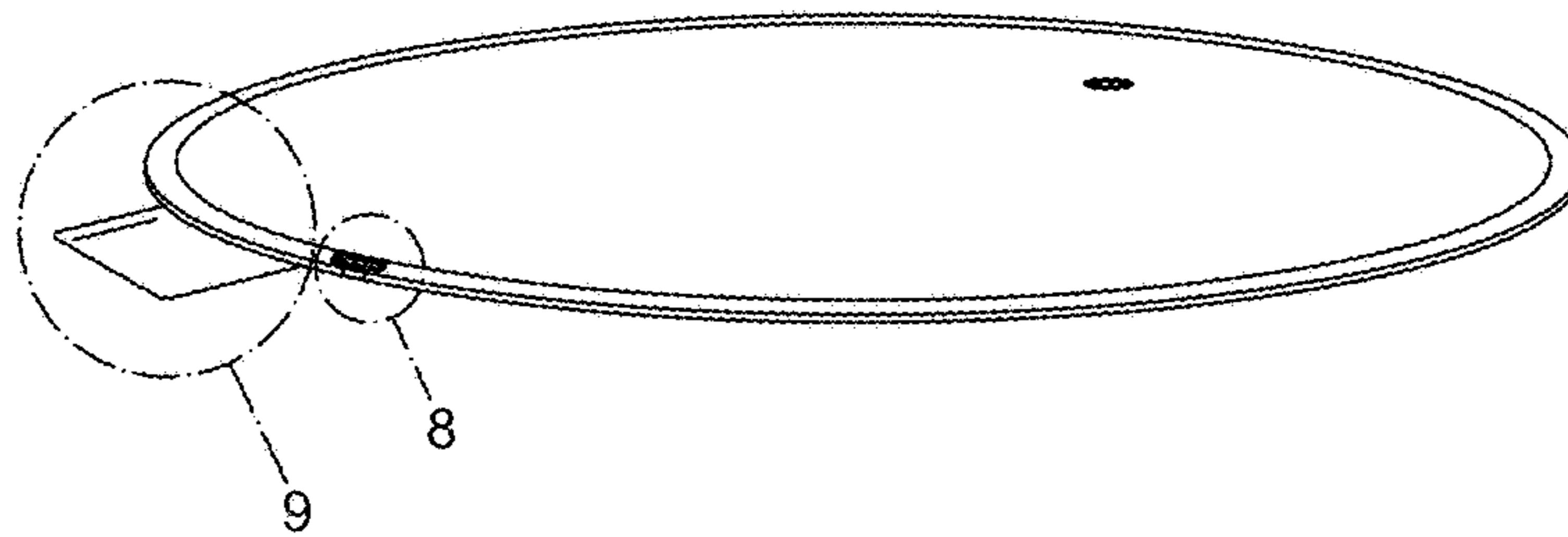


FIG. 7

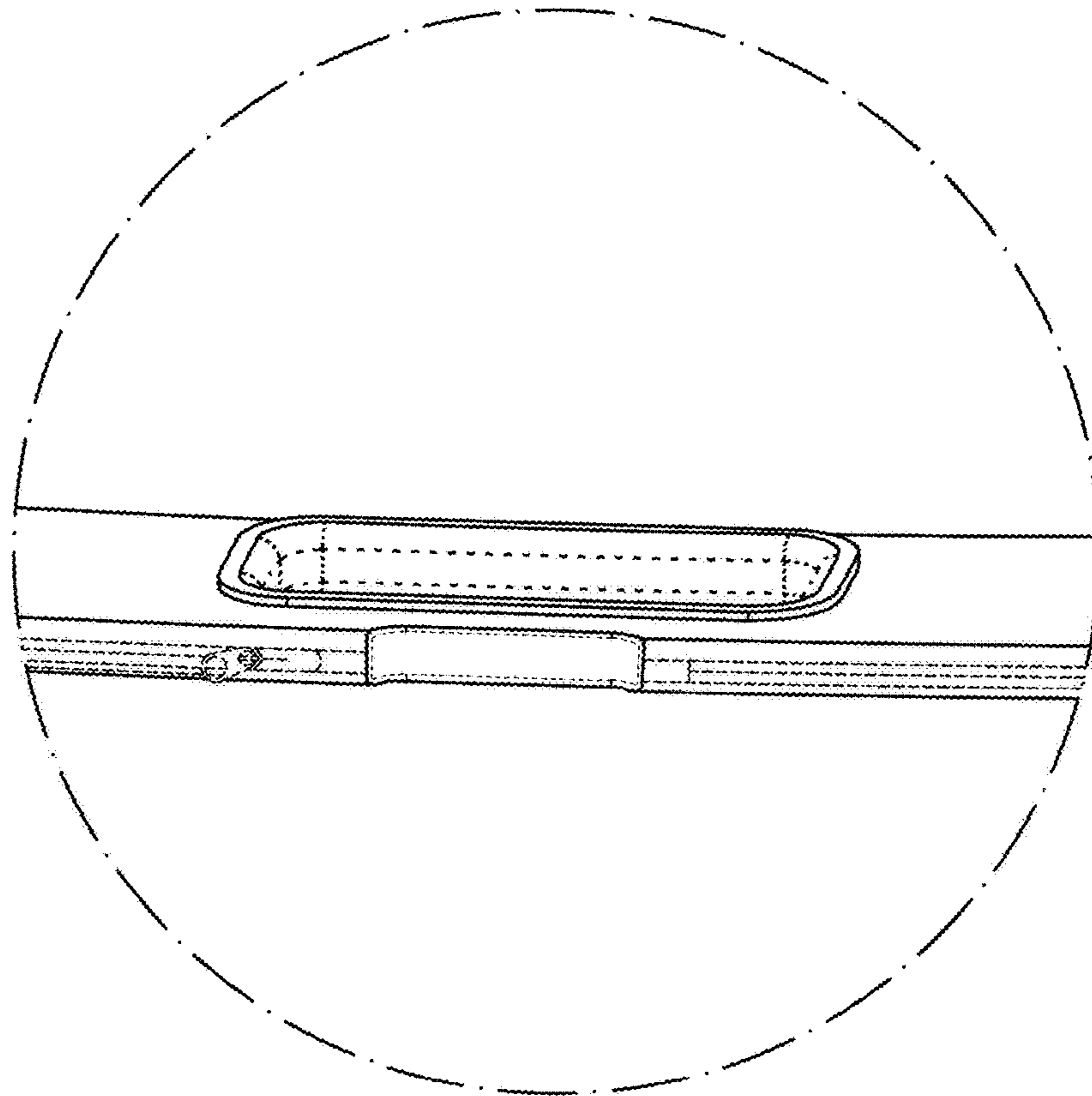


FIG. 8

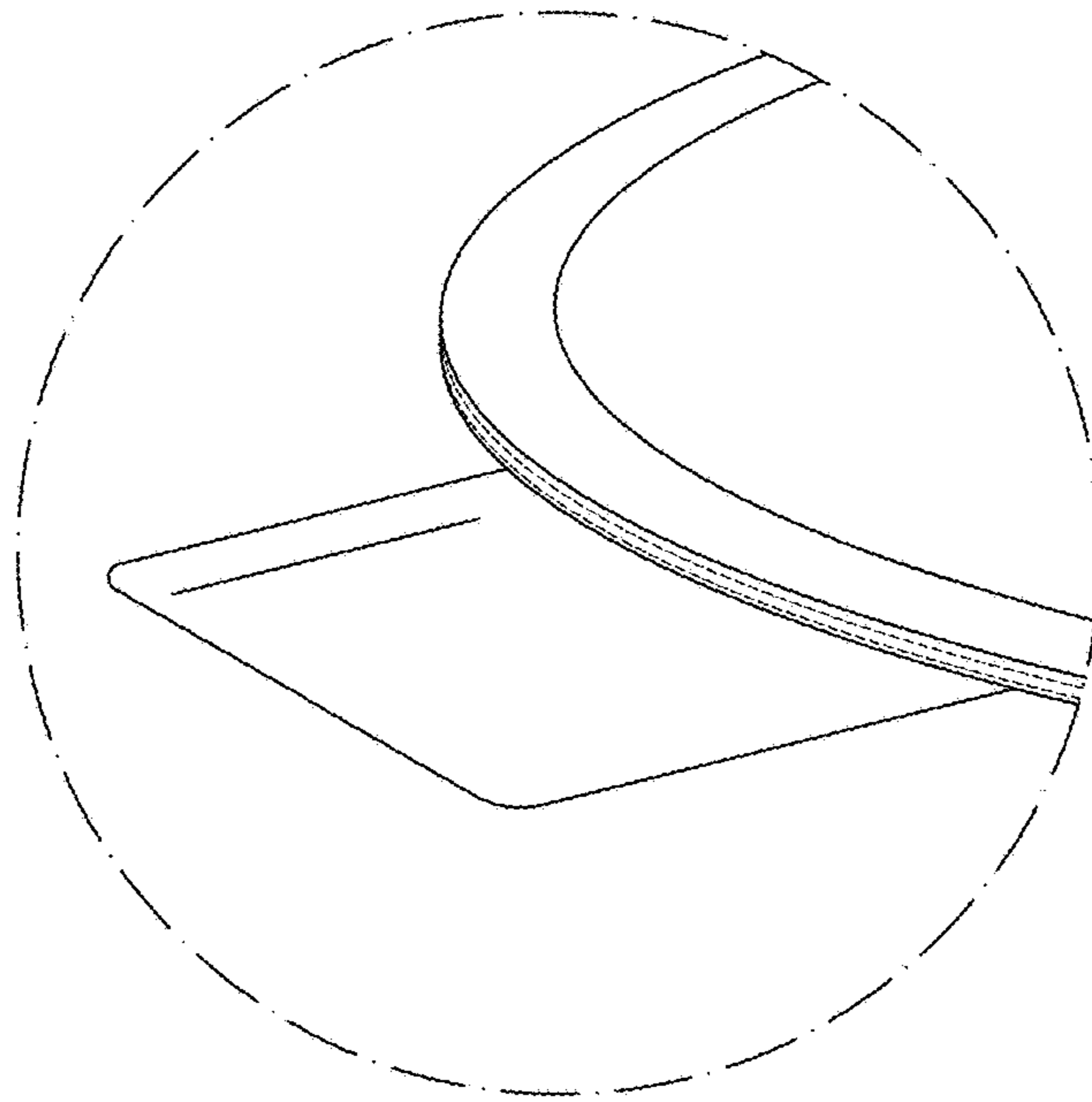


FIG. 9