



US00D849443S

(12) **United States Design Patent** (10) **Patent No.:** **US D849,443 S**
Hurley (45) **Date of Patent:** **** May 28, 2019**

(54) **BREAKDOWN RIFLE HOLDER**
(71) Applicant: **Bryan Hurley**, Mount Dora, FL (US)
(72) Inventor: **Bryan Hurley**, Mount Dora, FL (US)
(**) Term: **15 Years**
(21) Appl. No.: **29/598,319**
(22) Filed: **Mar. 24, 2017**
(51) **LOC (11) Cl.** **08-08**
(52) **U.S. Cl.**
USPC **D6/552**
(58) **Field of Classification Search**
USPC D6/552, 566; D3/218, 221, 222-223,
D3/226, 228; 24/2.5; 42/85, 90, 94, 95;
73/167; 89/37.04; 206/315.11; 211/64,
211/181; 248/175, 176
CPC .. F41A 23/16; F41A 23/18; B60R 7/14; F41C
33/005; Y10S 224/913
See application file for complete search history.

D794,979 S * 8/2017 Centracchio D22/147
2012/0222344 A1 9/2012 Werner
2018/0023924 A1* 1/2018 Storch F41G 11/00
42/90

OTHER PUBLICATIONS

Ruger, Ruger SR-556 Takedown, Ruger Mark IV Product Safety Warning and Recall Notice, 2017 Sturm, Ruger & Co. Inc., <http://www.ruger-firearms.com/products/sr556TD/models.html>.
Magpul, Bev Block—AR15/M4 Product Details, catalog, 2017 Magpul Industries Corp., <https://www.magpul.com/products/firearms-accessories/tools/bev-block-ar15-m4>.
PlastixRevolution (/), AR-15 Upper & Lower Vise Block Combo, catalog, 2017 PlastiXrevolution (/), <https://www.plastixrevolution.net/products/basic-upper-lower-vise-block-combo>.

* cited by examiner

Primary Examiner — Wan Laymon
Assistant Examiner — Mark Booker
(74) *Attorney, Agent, or Firm* — Matthew G. McKinney; Allen, Dyer et al.

(57) **CLAIM**

The ornamental design for a breakdown rifle holder, as shown and described.

DESCRIPTION

FIG. 1 is a right side elevational view showing my new design;
FIG. 2 is a left side elevational view thereof;
FIG. 3 is a bottom elevational view thereof;
FIG. 4 is a top elevational view thereof;
FIG. 5 is a rear plan view thereof;
FIG. 6 is a front plan view thereof;
FIG. 7 is a bottom perspective view thereof; and,
FIG. 8 is a top perspective view thereof.
The broken lines shown in the figures represent portions of article that form no part of the claimed design.

1 Claim, 4 Drawing Sheets

(56) **References Cited**

U.S. PATENT DOCUMENTS

873,786	A	12/1907	Reutar	
2,531,550	A	11/1950	Bradley et al.	
4,115,943	A	9/1978	Musgrave	
6,009,996	A	1/2000	Purdy	
6,540,092	B2	4/2003	Sirois	
7,025,203	B2	4/2006	Schonenbach	
D587,051	S *	2/2009	Vining	D6/552
D643,658	S *	8/2011	Vining	D6/552
8,025,193	B1 *	9/2011	Gornall, Jr.	A45F 5/00 224/268
8,209,896	B1	7/2012	Cashwell	
8,322,068	B2	12/2012	Wilson	
8,578,645	B2	11/2013	Cauley	
8,656,626	B1	2/2014	McCamley	
8,931,201	B2	1/2015	Gianladis et al.	

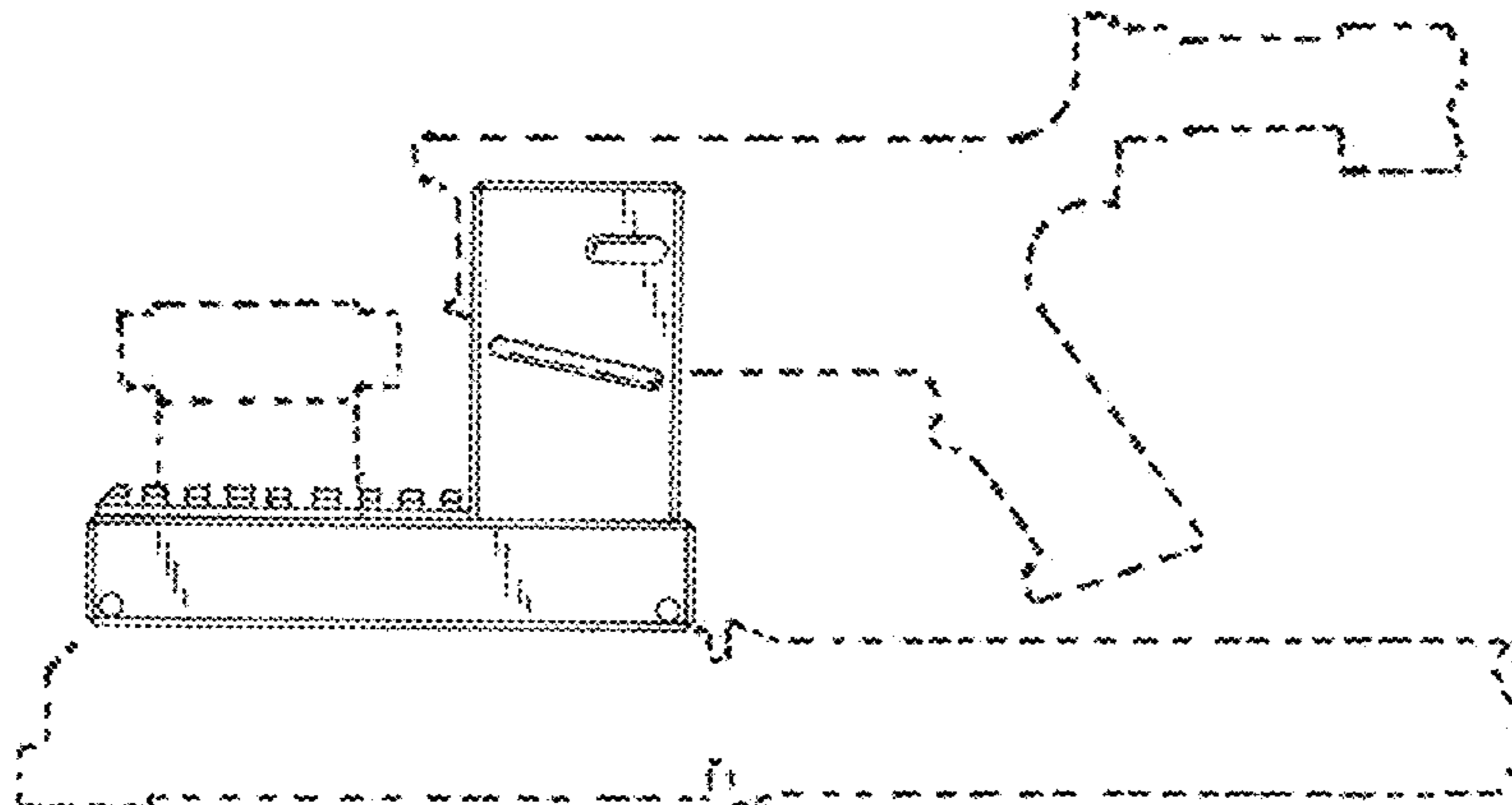


FIG. 1

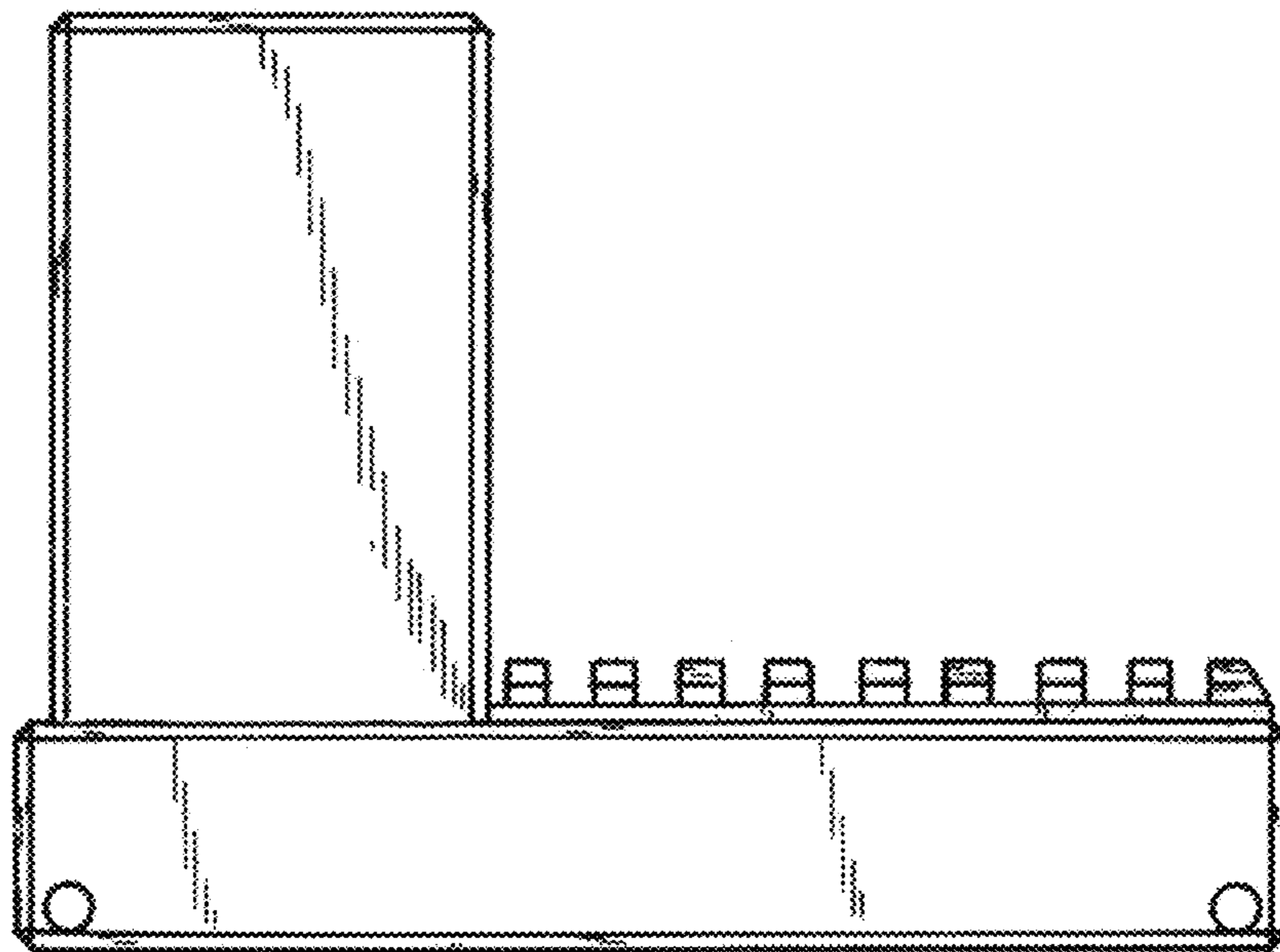
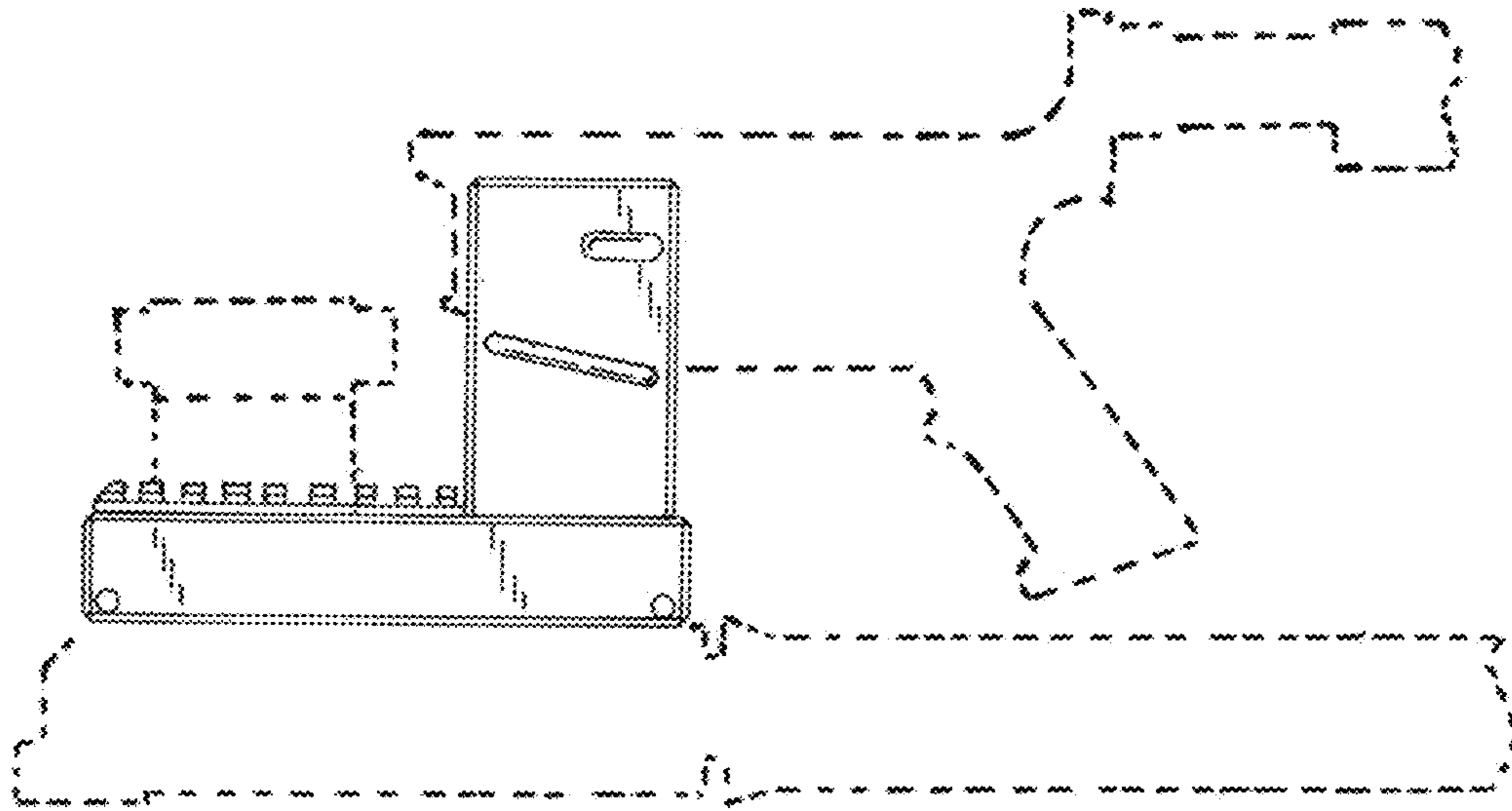


FIG. 2

FIG. 3

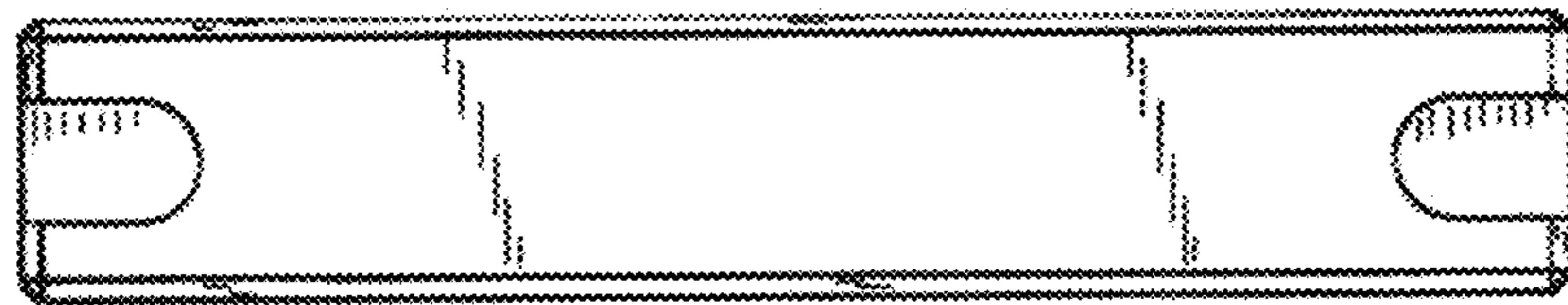
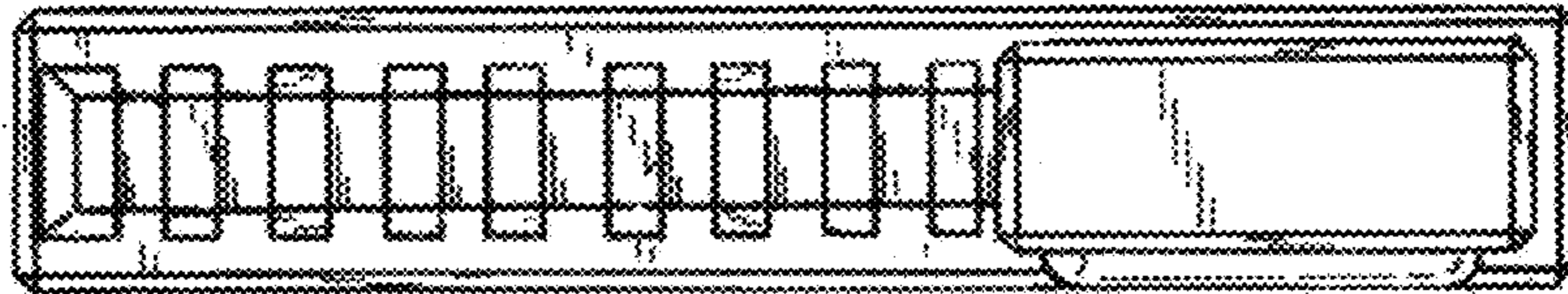


FIG. 4

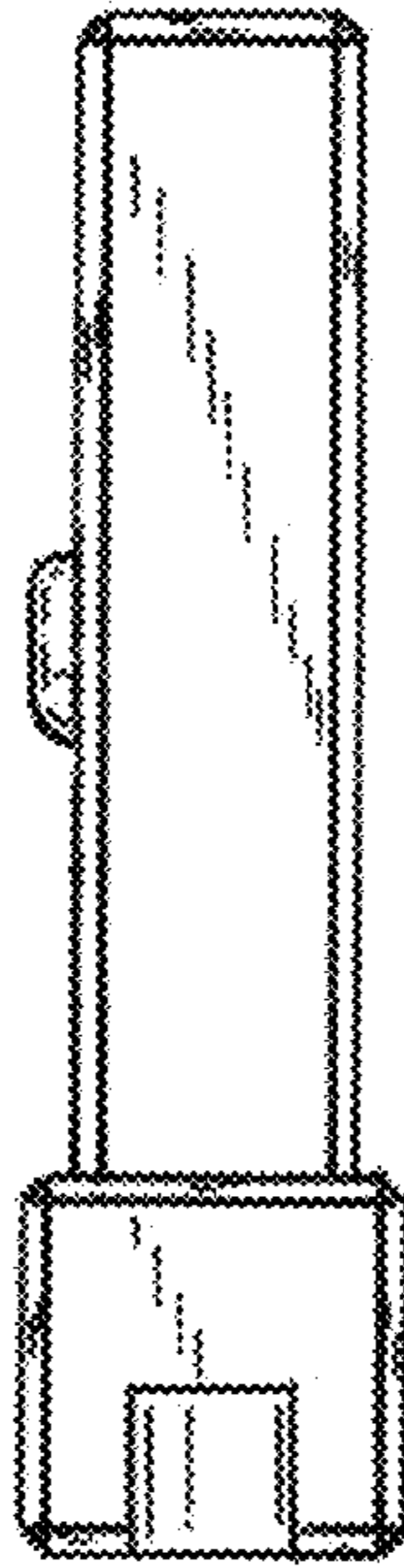


FIG. 5



FIG. 6

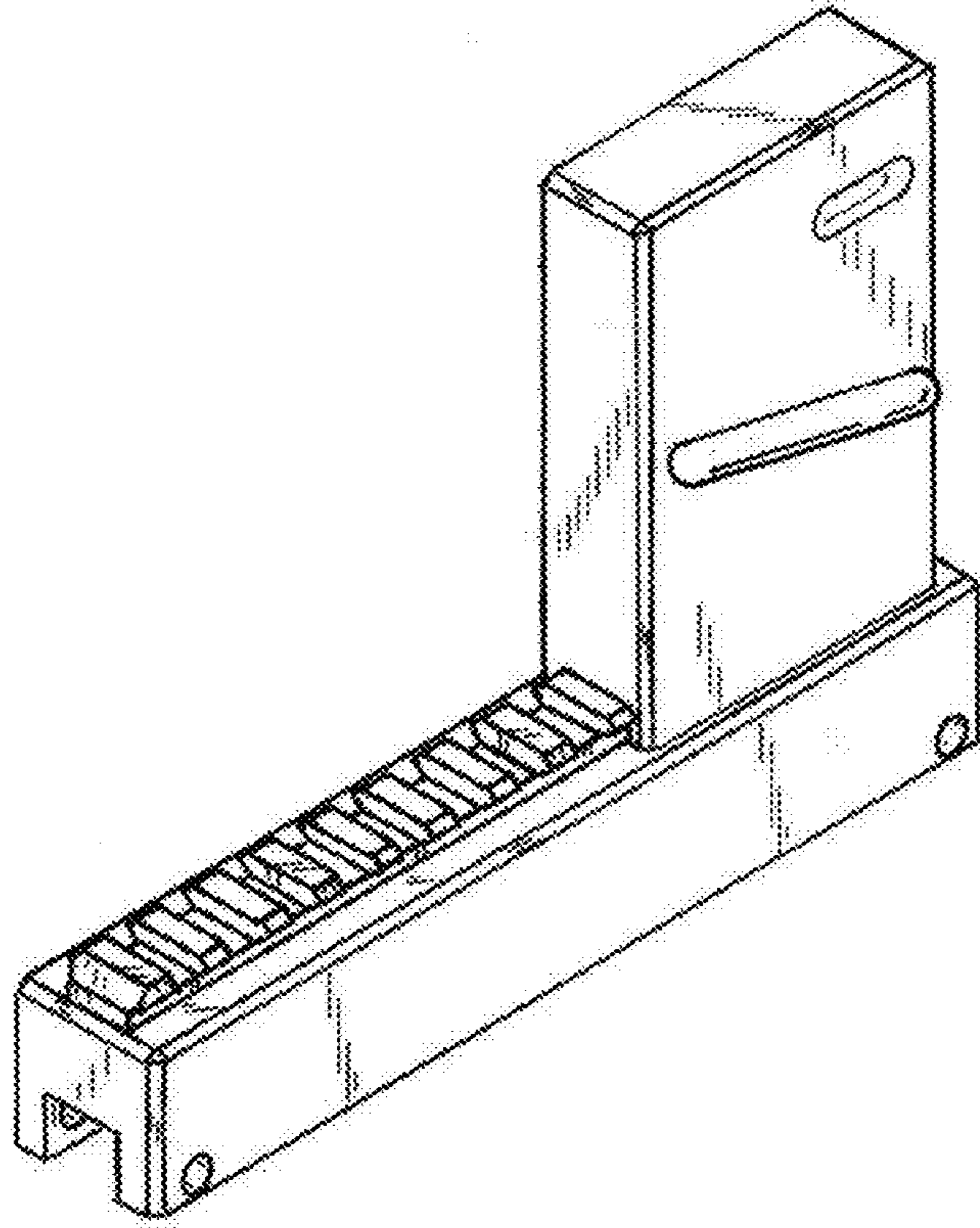


FIG. 7

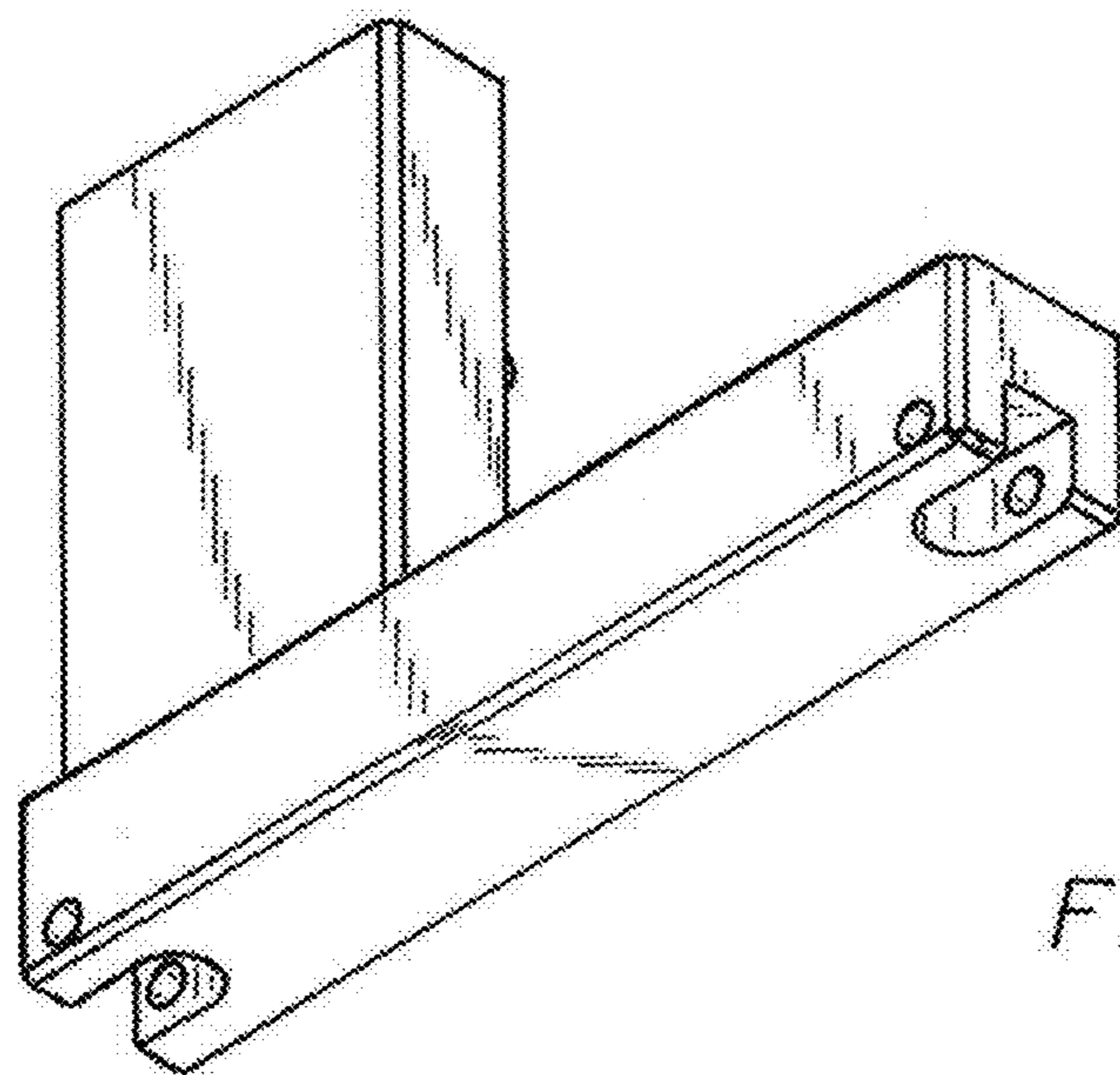


FIG. 8