

US00D849442S

(12) **United States Design Patent**
Mathison

(10) **Patent No.:** **US D849,442 S**

(45) **Date of Patent:** **** May 28, 2019**

- (54) **PAPER TOWEL ROLL CORE**
- (71) Applicant: **Steven D. Mathison**, Milwaukee, WI (US)
- (72) Inventor: **Steven D. Mathison**, Milwaukee, WI (US)

- 5,205,510 A * 4/1993 Schotter B65H 49/02
242/118.4
- D381,851 S 8/1997 Sharpe
- D406,976 S * 3/1999 Baggett D6/519
- D414,361 S 9/1999 Senecal, Jr.
- D422,819 S 4/2000 Fong
- D427,828 S 7/2000 Senecal, Jr.
- D465,366 S * 11/2002 Ouyoung D6/523

(**) Term: **15 Years**

(21) Appl. No.: **29/593,799**

(22) Filed: **Feb. 13, 2017**

(51) **LOC (11) Cl.** **23-02**

(52) **U.S. Cl.**
USPC **D6/522**

(58) **Field of Classification Search**
USPC D6/518-523; 206/389, 391; 211/13.1,
211/59.1, 45, 890.1; 242/570, 590, 597.7,
242/599.1, 599.3, 309.1, 309.2; D23/266,
D23/260, 259, 262; 285/48, 50, 54, 405
CPC A47K 10/16; A47K 10/00; A47K 10/38;
A47K 2010/3266; B65H 75/245; B65H
75/24; B65H 75/18; B65H 75/185
See application file for complete search history.

(56) **References Cited**

U.S. PATENT DOCUMENTS

- 850,892 A * 4/1907 Ball 242/599.4
- 2,529,420 A * 11/1950 Ramquist A47K 10/3836
235/1 C
- 2,889,121 A 6/1959 Heinle
- 3,013,378 A * 12/1961 Newton, Jr. B65H 75/00
206/389
- 3,292,874 A * 12/1966 Tinkham A47K 10/3836
242/571.5
- 3,438,589 A 4/1969 Jespersen
- 3,602,450 A 8/1971 Jespersen
- 3,792,822 A * 2/1974 Underhill A47K 10/3836
211/59.1
- 4,377,233 A * 3/1983 Pahler G11B 23/02
206/310

FOREIGN PATENT DOCUMENTS

- WO 2012027403 A1 3/2012
- WO 2015081404 A1 6/2015

Primary Examiner — David G Muller
Assistant Examiner — Nathan M Johnston
(74) *Attorney, Agent, or Firm* — Andrus Intellectual
Property Law, LLP

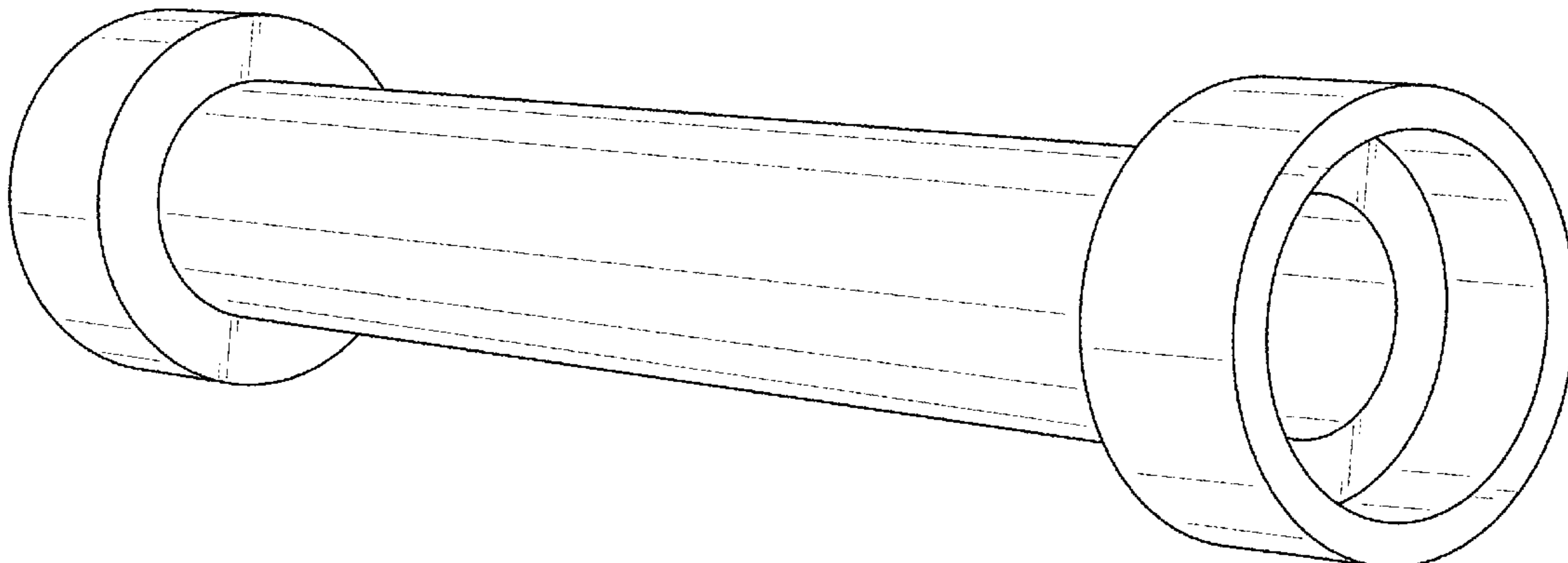
(57) **CLAIM**

The ornamental design for a paper towel roll core, as shown and described.

DESCRIPTION

FIG. 1 is a left perspective view of a paper towel roll core according to my new and ornamental design;
FIG. 2 is a right perspective view thereof;
FIG. 3 is a front elevation view thereof, wherein the back elevation, top plan, and bottom plan views are identical to the front elevation view;
FIG. 4 is a right side elevation view thereof;
FIG. 5 is a left side elevation view thereof;
FIG. 6 is a left perspective exploded view thereof;
FIG. 7 is a right perspective exploded view thereof; and,
FIG. 8 is a front elevation exploded view thereof, wherein the back elevation exploded view is a mirror image of the front elevation exploded view, and wherein the top plan and bottom plan exploded views are identical to the front elevation exploded view.

1 Claim, 7 Drawing Sheets



(56)

References Cited

U.S. PATENT DOCUMENTS

6,698,598	B1 *	3/2004	Appenteng	A47F 5/02 211/168
D494,395	S	8/2004	Wolpert et al.	
D495,176	S	8/2004	Wolpert et al.	
D495,177	S	8/2004	Wolpert et al.	
D509,690	S	9/2005	Wolpert et al.	
D532,229	S	11/2006	Hoerig et al.	
D555,955	S	11/2007	Salaker	
D555,956	S	11/2007	Salaker	
7,364,112	B1	4/2008	Formon	
7,568,653	B2	8/2009	Zeiron	
D630,874	S	1/2011	Moller et al.	
7,975,957	B2	7/2011	Lind et al.	
8,006,929	B2	8/2011	Lind et al.	
8,490,913	B2	7/2013	Formon et al.	
D703,461	S	4/2014	Myron	
8,783,600	B1	7/2014	Myron	
D719,374	S	12/2014	Myron	
9,370,284	B2	6/2016	Moller et al.	
2003/0045412	A1	3/2003	Schulz et al.	
2006/0284001	A1 *	12/2006	Paradise	A47K 10/3836 242/597.4
2008/0164369	A1	7/2008	Adelakun	
2010/0025519	A1	2/2010	Granger et al.	
2010/0320309	A1 *	12/2010	Galgano	B65D 5/5028 242/588.3
2013/0062453	A1 *	3/2013	Hutchinson	A47K 10/40 242/599.1
2015/0083847	A1	3/2015	Cittadino	
2016/0280505	A1	9/2016	Stinson	

* cited by examiner

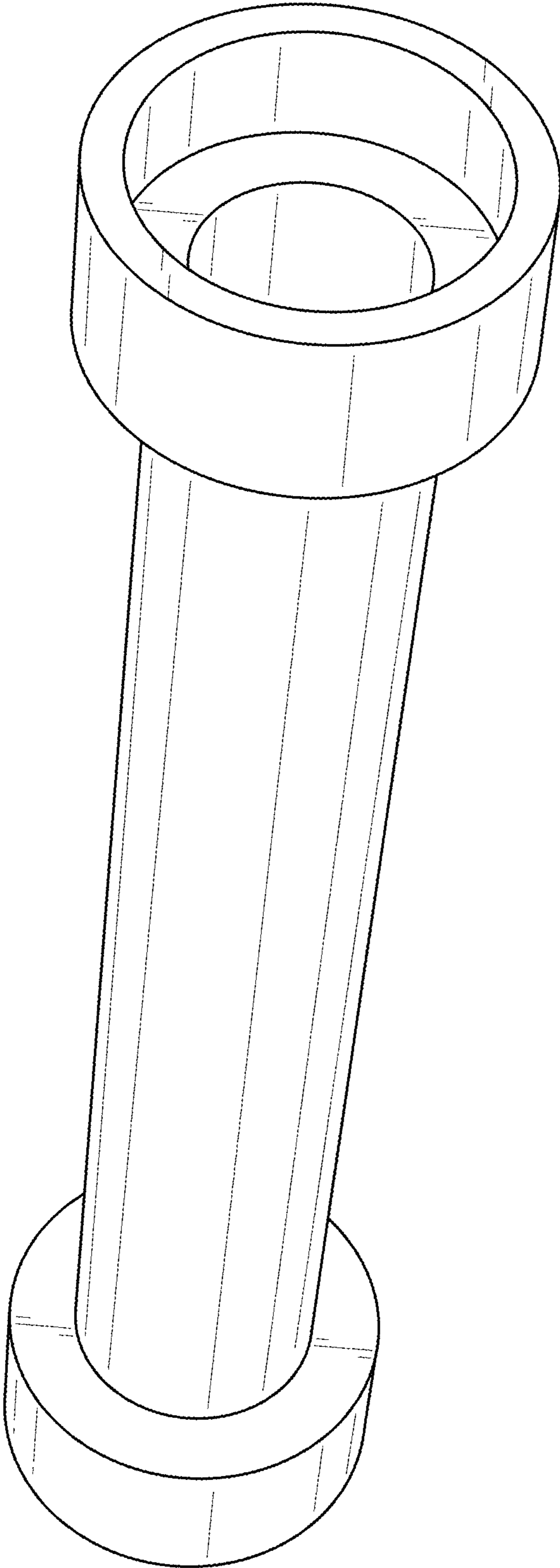


FIG. 1

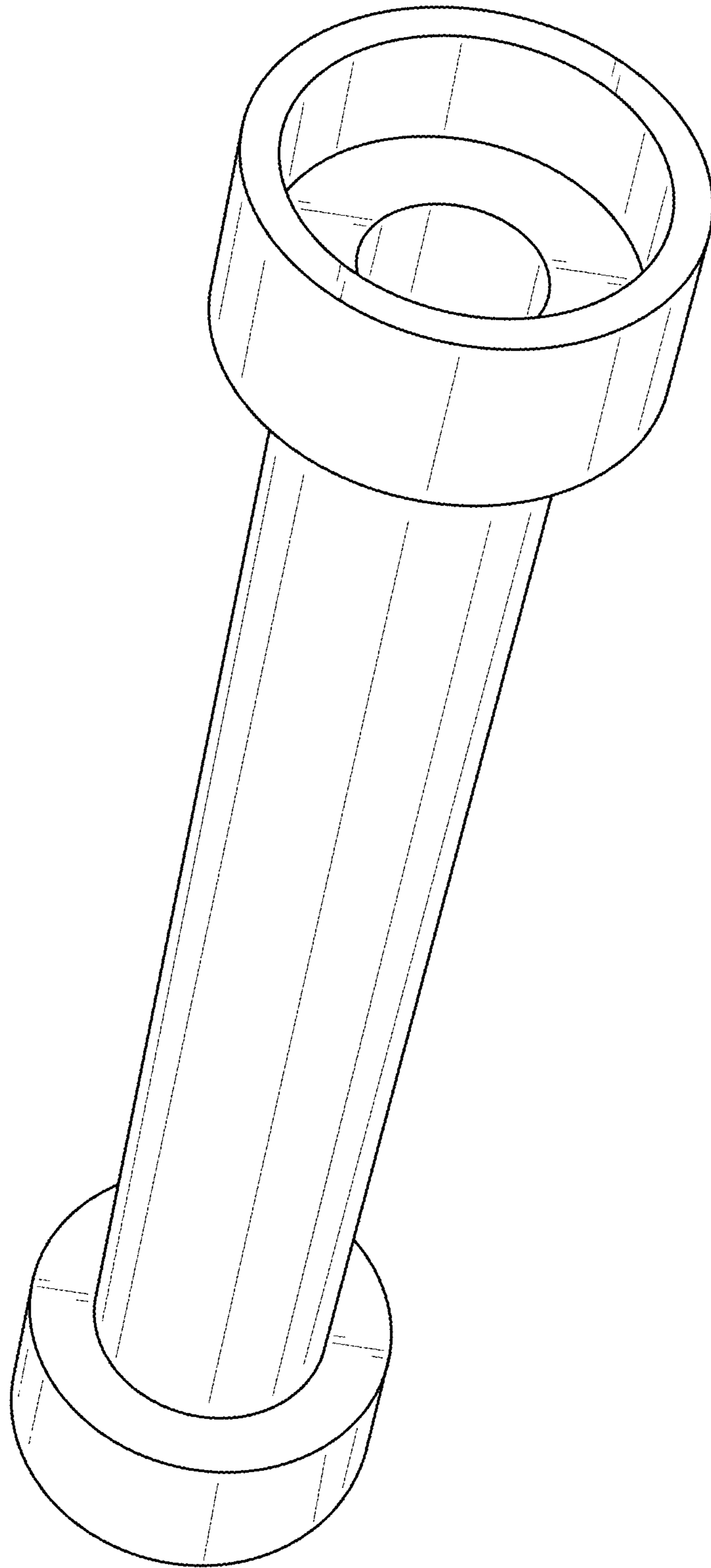


FIG. 2

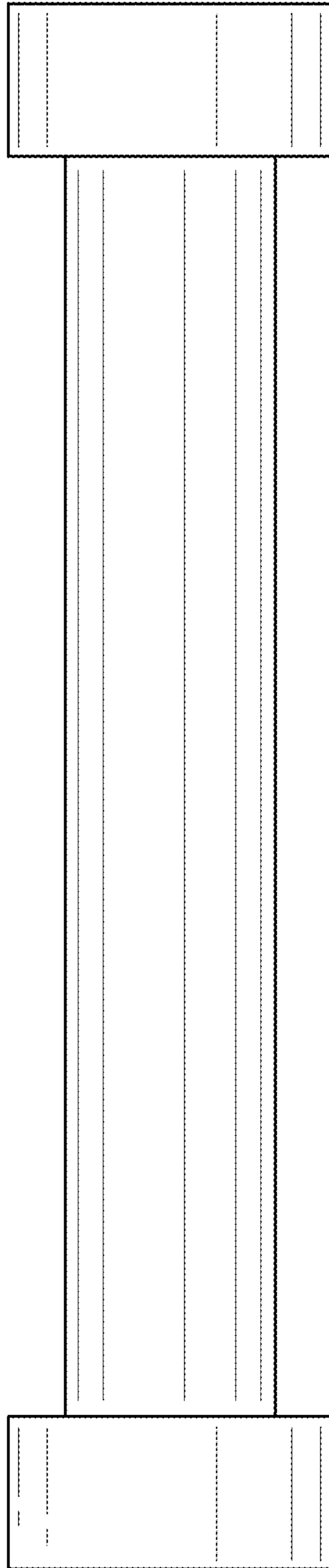


FIG. 3

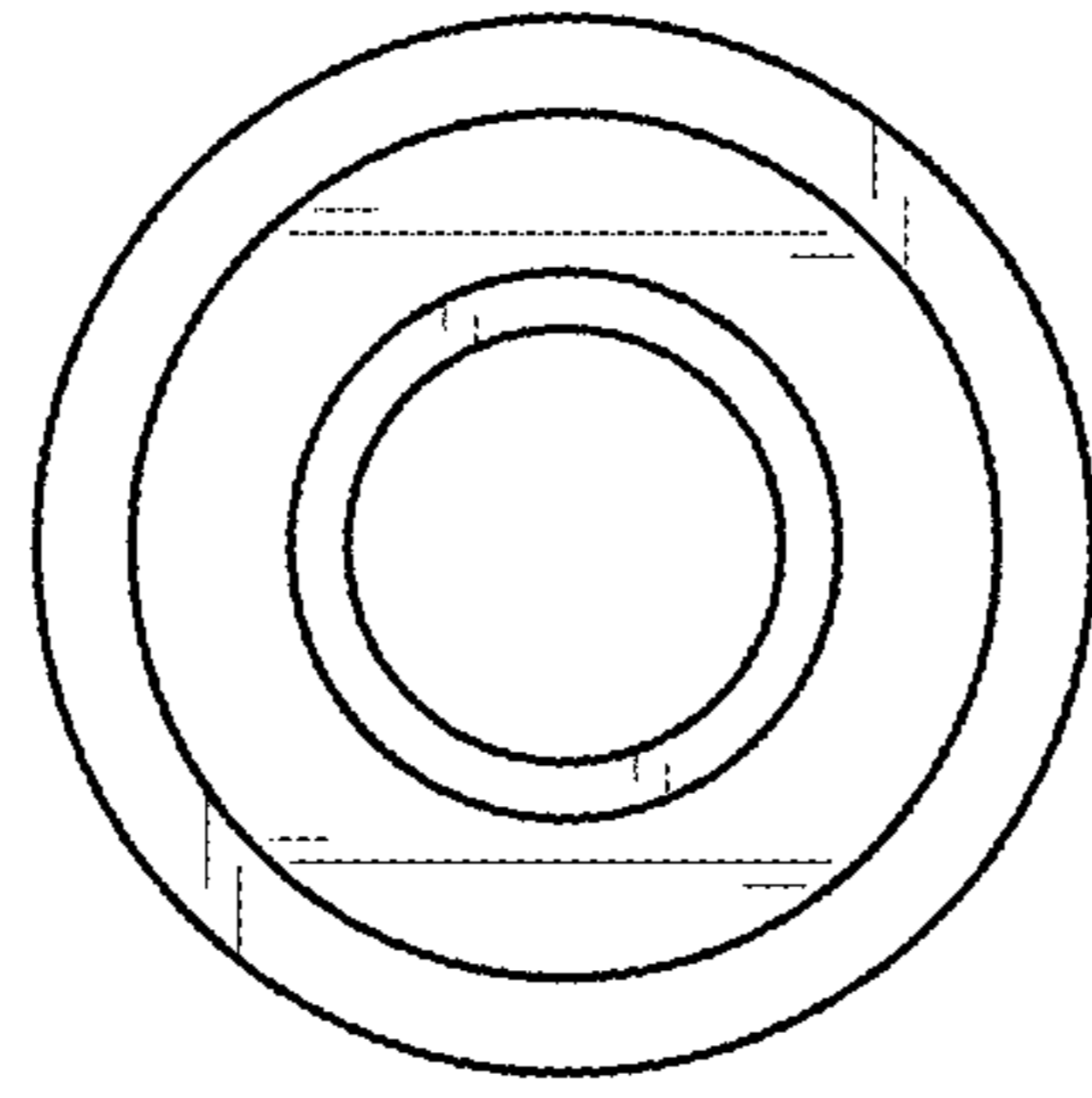


FIG. 5

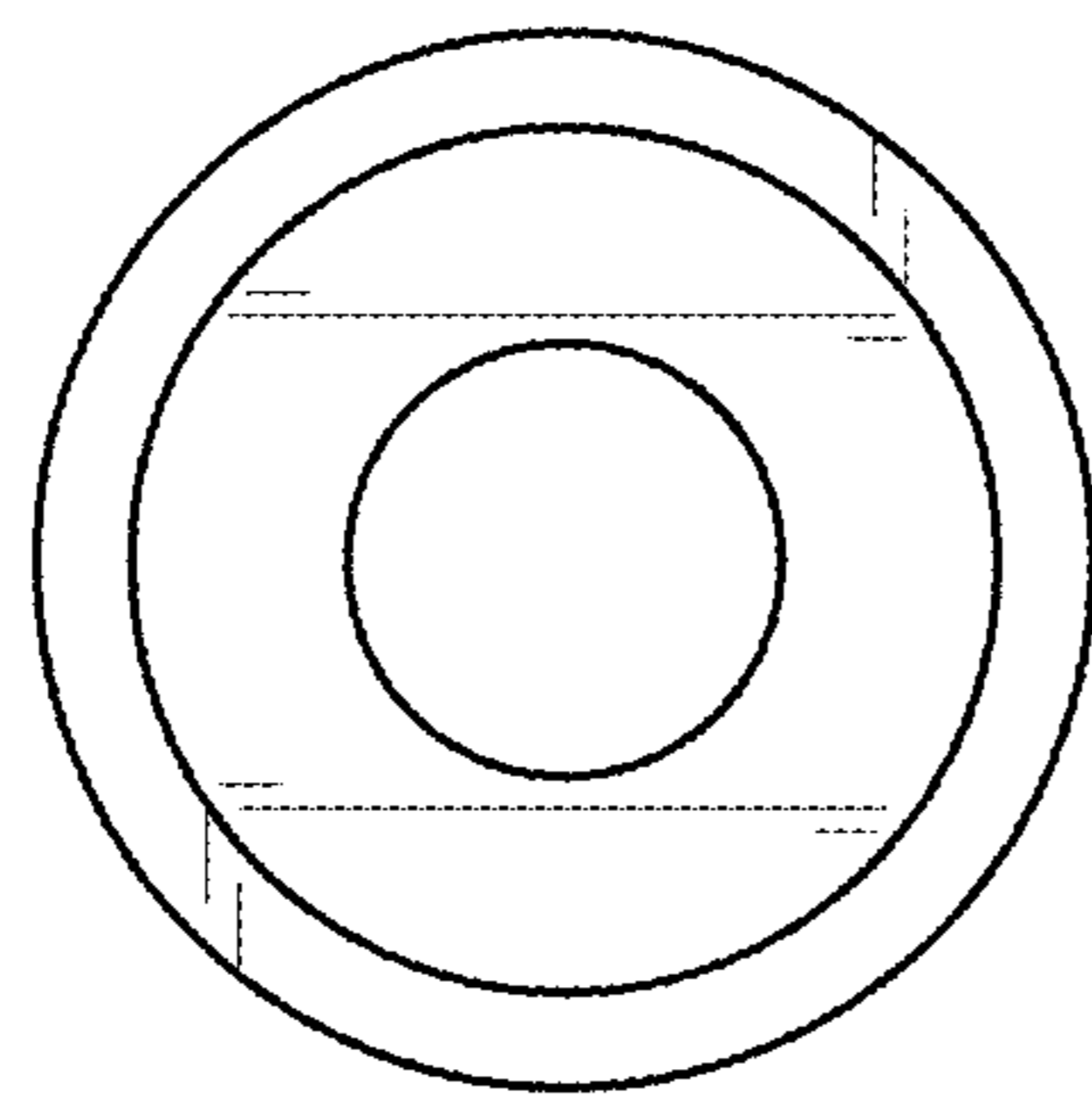


FIG. 4

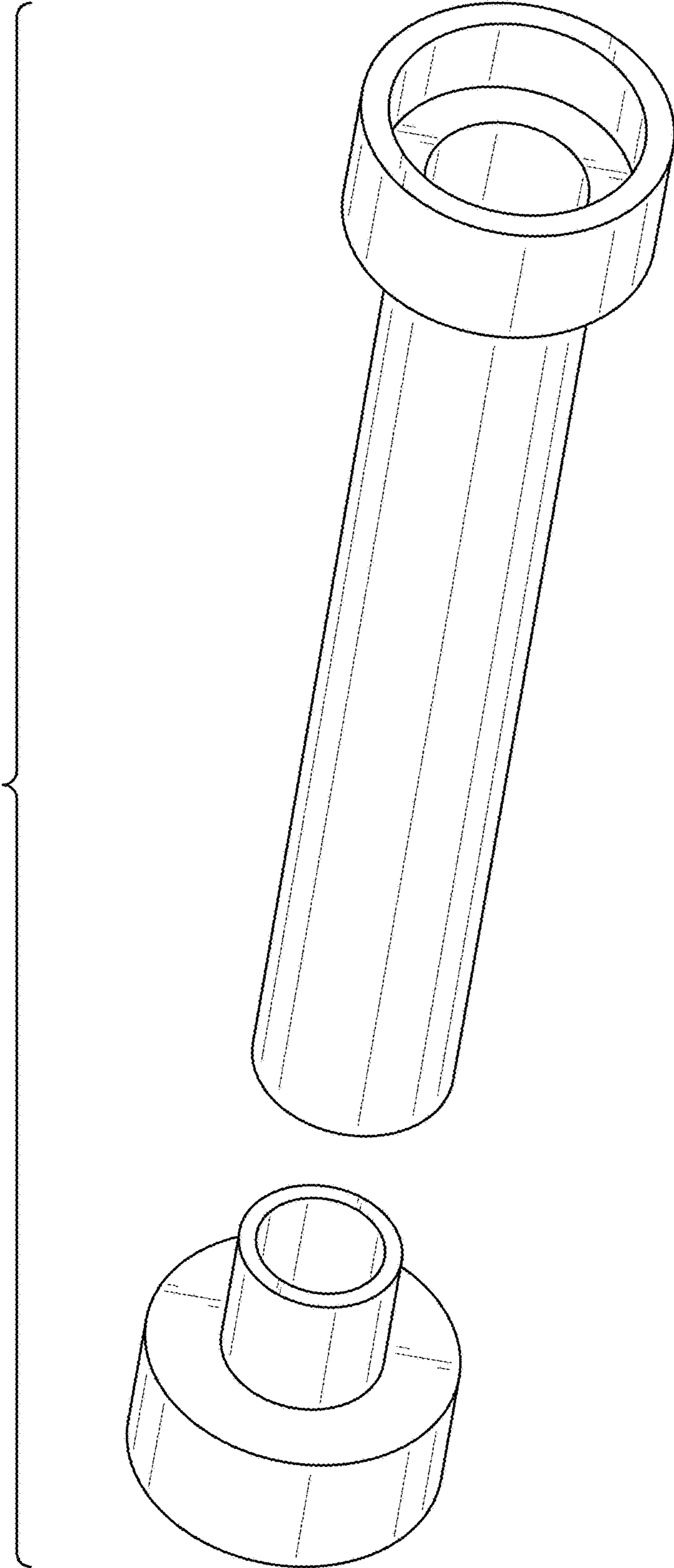


FIG. 6

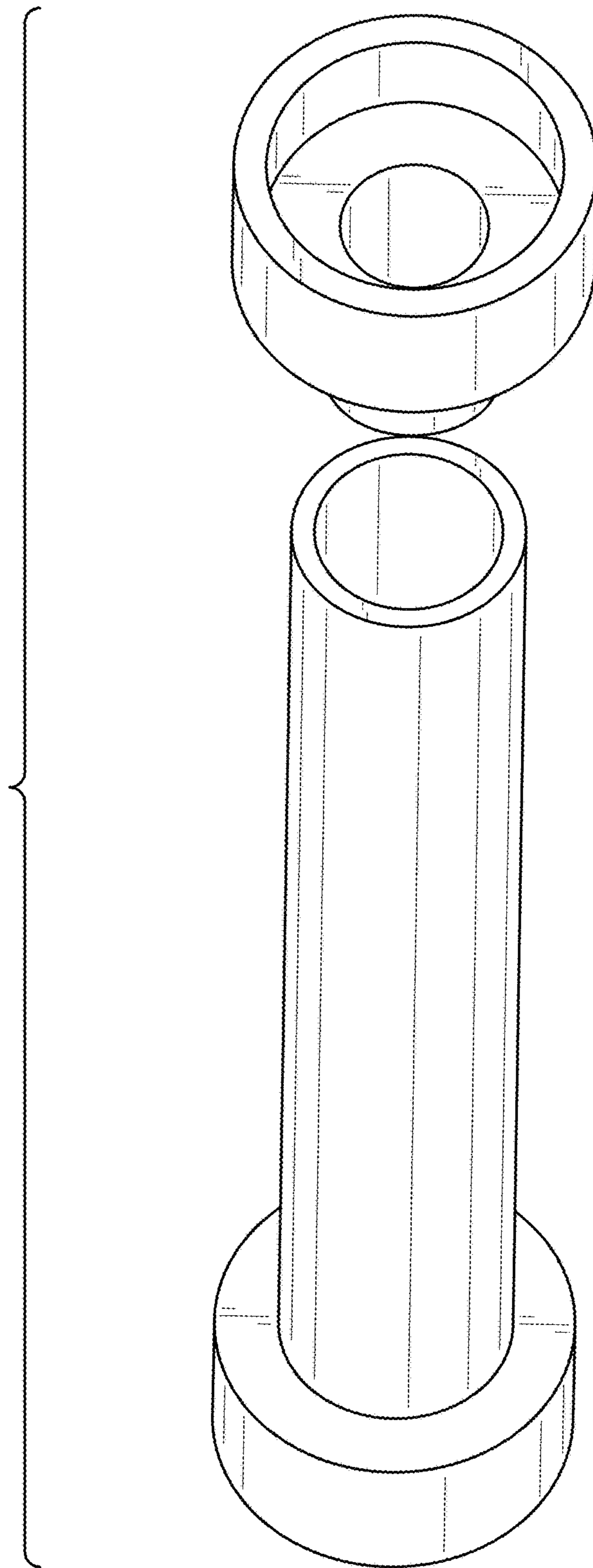


FIG. 7

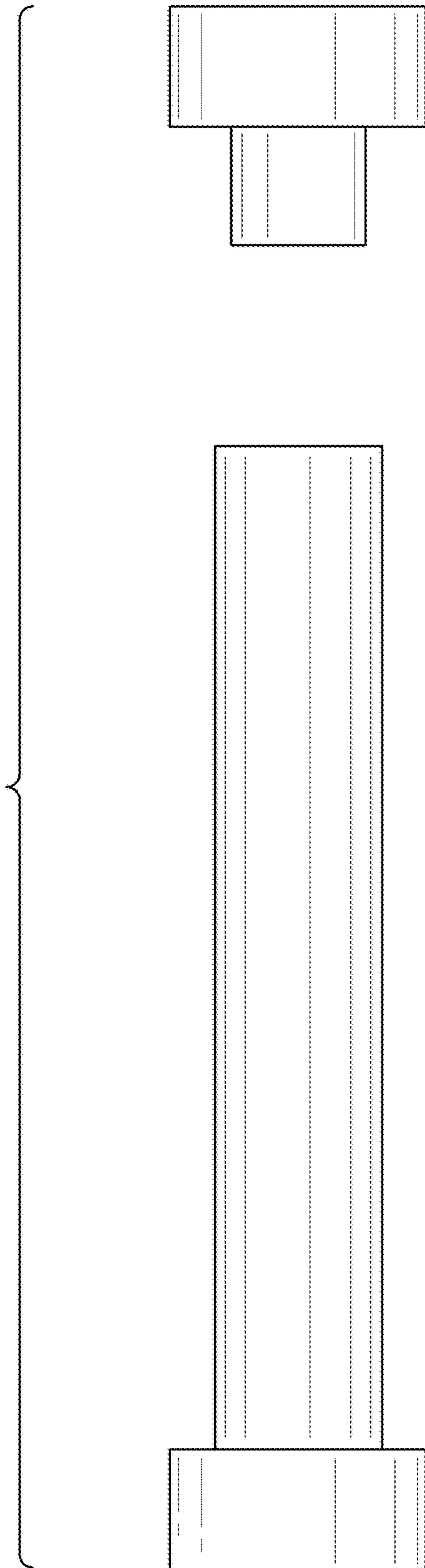


FIG. 8