



US00D849441S

(12) **United States Design Patent**
King et al.

(10) **Patent No.:** **US D849,441 S**

(45) **Date of Patent:** **** May 28, 2019**

(54) **ARTICLE OF FURNITURE**

CPC A47C 17/00; A47C 17/02; A47C 17/04;
A47C 17/045; A47C 17/12; A47C 17/175

See application file for complete search history.

(71) Applicant: **King Furniture Australia Pty Ltd.,**
Turrella (AU)

(56) **References Cited**

(72) Inventors: **David King,** Turrella (AU); **Ryan**
Lawson, Turrella (AU); **Tanya**
Rechberger, Turrella (AU); **Anuj**
Dhawan, Turrella (AU)

U.S. PATENT DOCUMENTS

(73) Assignee: **King Furniture Australia Pty Ltd.,**
Turrella (AU)

D94,831 S 3/1935 Granovsky
D240,096 S * 6/1976 Haggstam et al. D6/373
D247,335 S * 2/1978 Dranger D6/381
D310,143 S * 8/1990 Hopfer D6/361
5,137,332 A * 8/1992 Gualtierotti A47C 1/023
297/440.15

(**) Term: **15 Years**

D422,156 S 4/2000 Black
D424,316 S 5/2000 Natuzzi et al.
D484,327 S 12/2003 Ricci
D484,713 S 1/2004 Gomez
D495,893 S * 9/2004 Ricci D6/334
6,824,220 B1 * 11/2004 Davison A47C 13/005
297/233

(21) Appl. No.: **29/640,907**

D499,261 S * 12/2004 Ricci D6/334
D499,263 S 12/2004 Ricci
D545,070 S * 6/2007 Hutton D6/334
D551,463 S 9/2007 Natuzzi
D590,165 S 4/2009 Natuzzi

(22) Filed: **Mar. 19, 2018**

Related U.S. Application Data

(Continued)

(62) Division of application No. 29/553,406, filed on Feb.
1, 2016, now Pat. No. Des. 816,366.

Primary Examiner — Deanna L Pratt

(74) *Attorney, Agent, or Firm* — Banner & Witcoff, Ltd.

(30) **Foreign Application Priority Data**

Jul. 30, 2015 (AU) 201513847
Jul. 31, 2015 (AU) 201513871
Jul. 31, 2015 (AU) 201513875
Jul. 31, 2015 (AU) 201513876
Jul. 31, 2015 (AU) 201513894
Jul. 31, 2015 (AU) 201513900

(57) **CLAIM**

The ornamental design for an article of furniture, as shown
and described.

(51) **LOC (11) Cl.** **06-01**

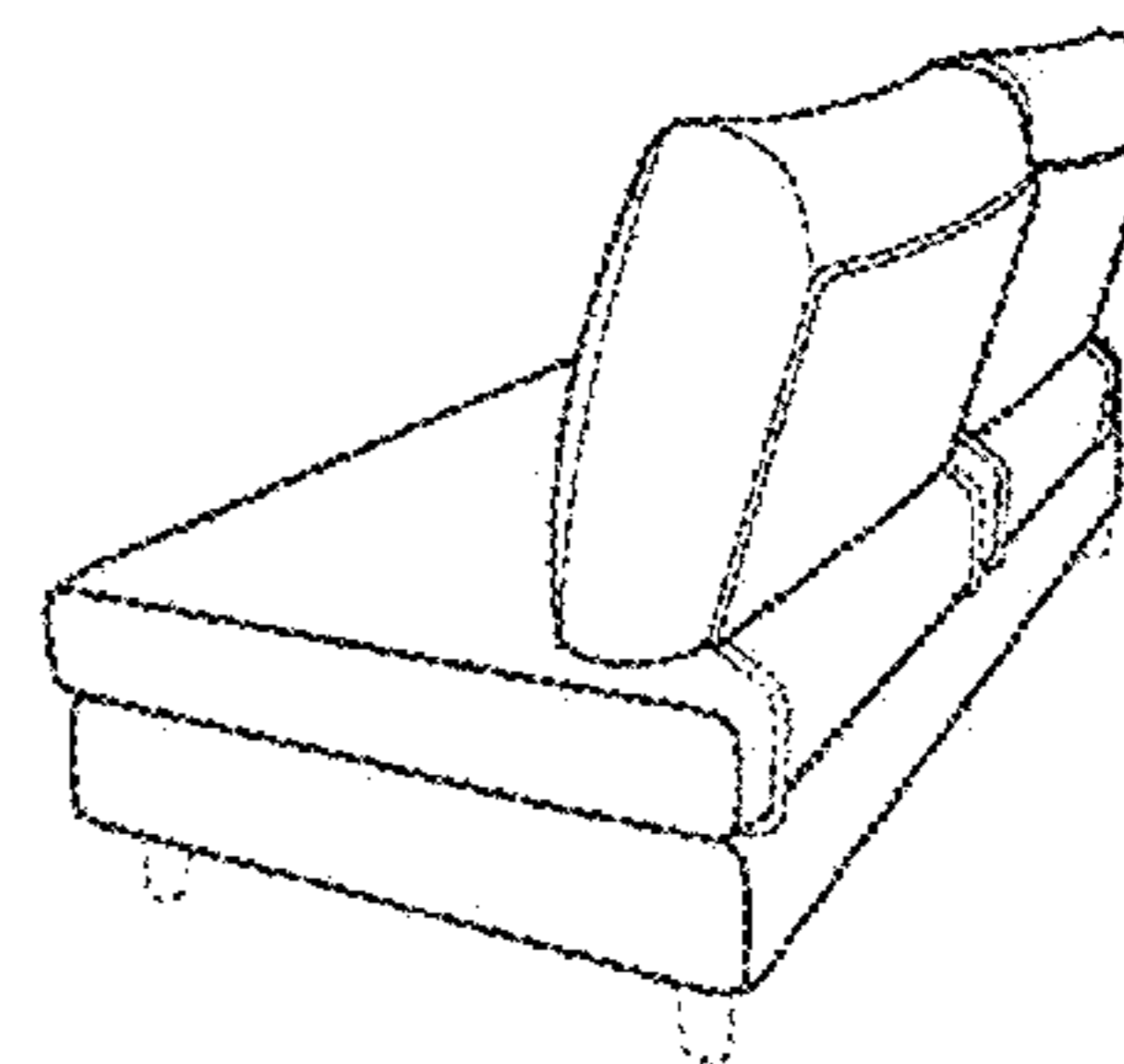
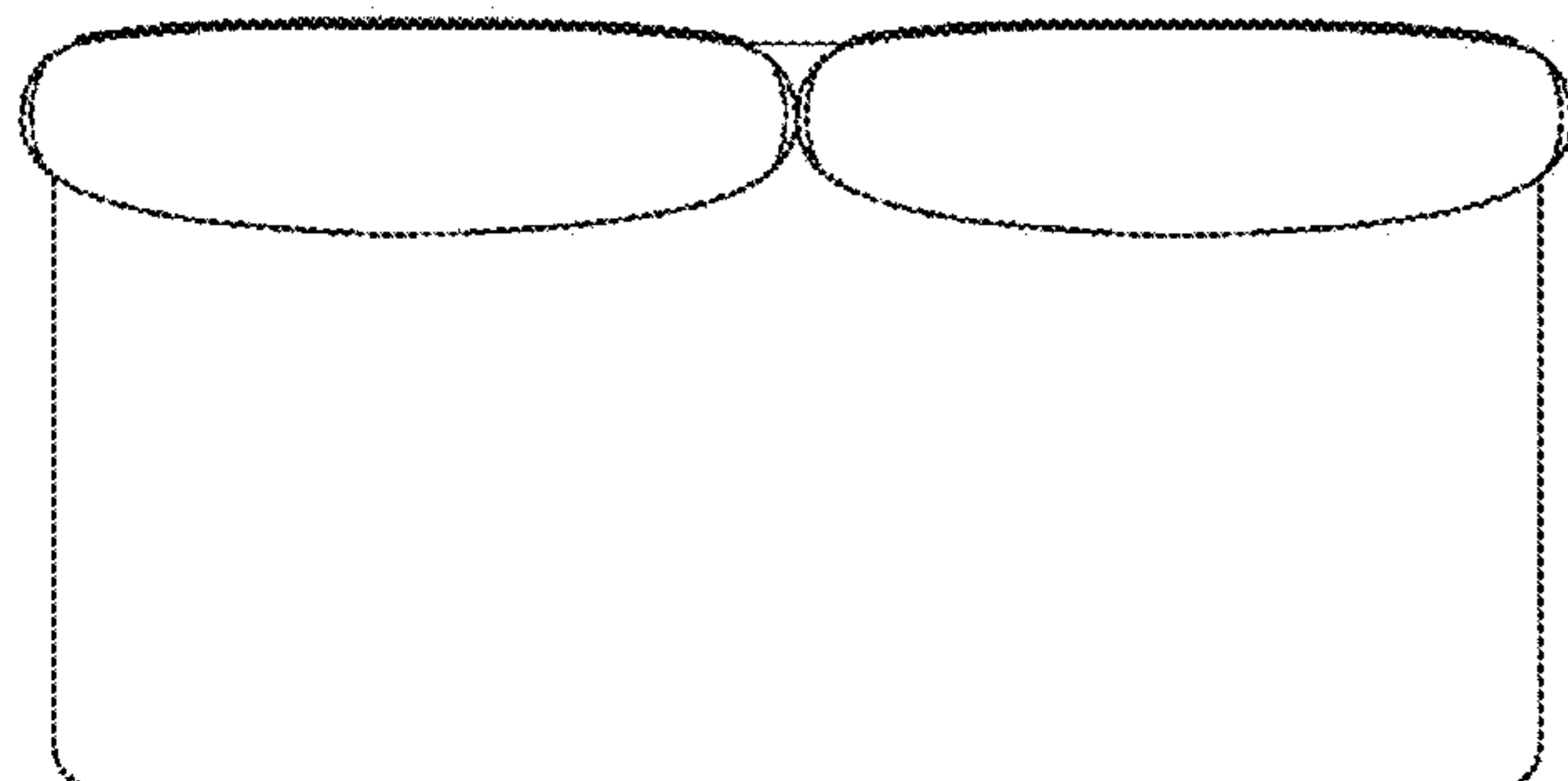
(52) **U.S. Cl.**
USPC **D6/381**

DESCRIPTION

(58) **Field of Classification Search**
USPC D6/334, 335, 336, 360, 361, 367, 368,
D6/371-375, 379-381, 716, 716.1-716.8

FIG. 1 is a top view of an article of furniture showing our
new design;
FIG. 2 is a perspective view from the front thereof;
FIG. 3 is a left side view thereof;
FIG. 4 is a front view thereof;
FIG. 5 is a right side view thereof;
FIG. 6 is a rear view thereof; and,
FIG. 7 is a perspective view from the rear thereof.

(Continued)



The broken lines in the drawings illustrate portions of the article of furniture that form no part of the claimed design.

1 Claim, 1 Drawing Sheet

(56)

References Cited

U.S. PATENT DOCUMENTS

D590,166 S	4/2009	Natuzzi	
D590,171 S	4/2009	Natuzzi	
D662,337 S	6/2012	Arko et al.	
D666,847 S	9/2012	Metcalf et al.	
D718,552 S *	12/2014	Kanhasamy	D6/381
D801,720 S *	11/2017	Morrison	D6/381
D816,366 S *	5/2018	King	D6/381
D826,589 S *	8/2018	Natuzzi	D6/381
D829,451 S *	10/2018	Bozzoli	D6/334
2013/0341992 A1	12/2013	King et al.	
2017/0303690 A1 *	10/2017	King	A47C 15/002

* cited by examiner

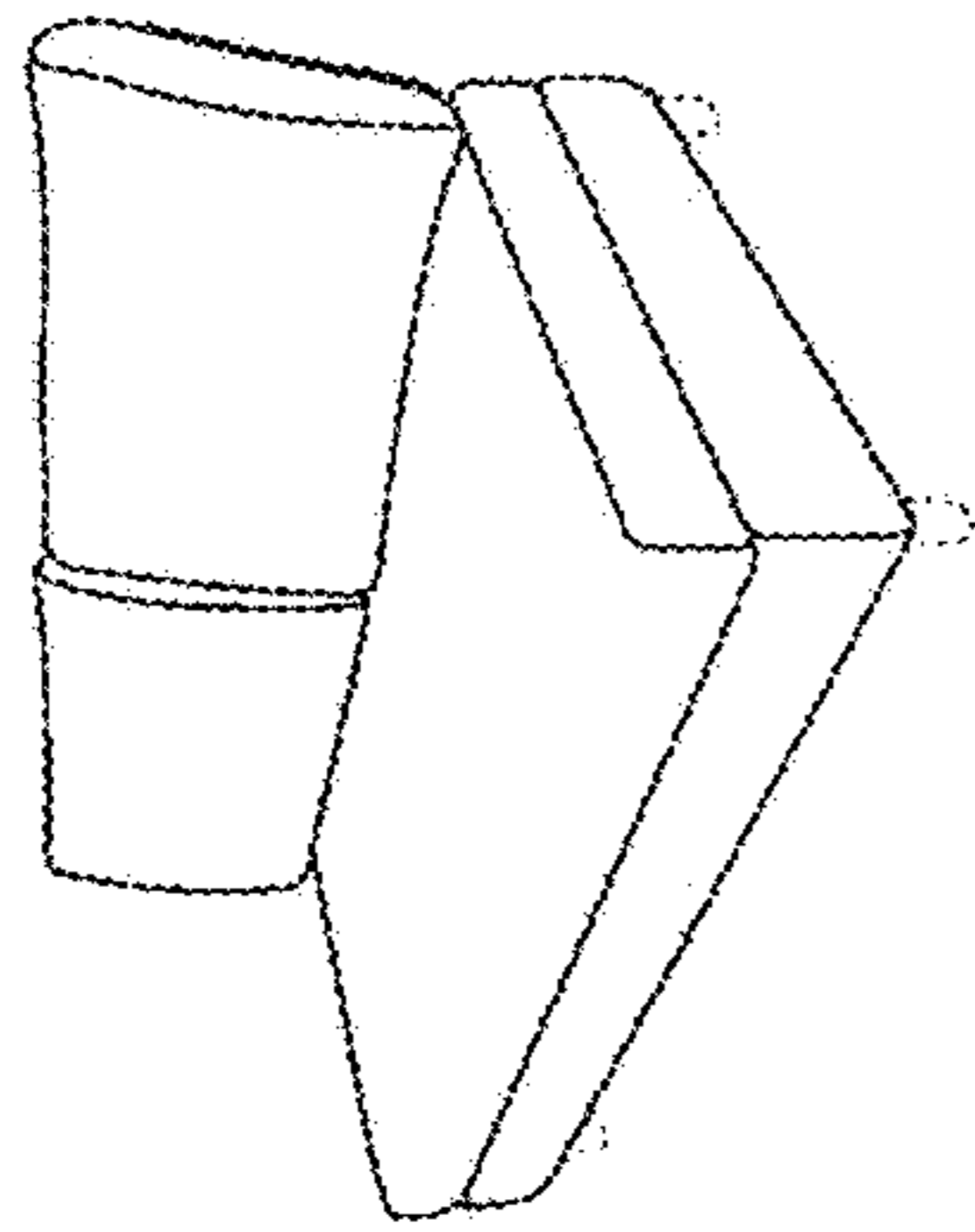


FIG. 2

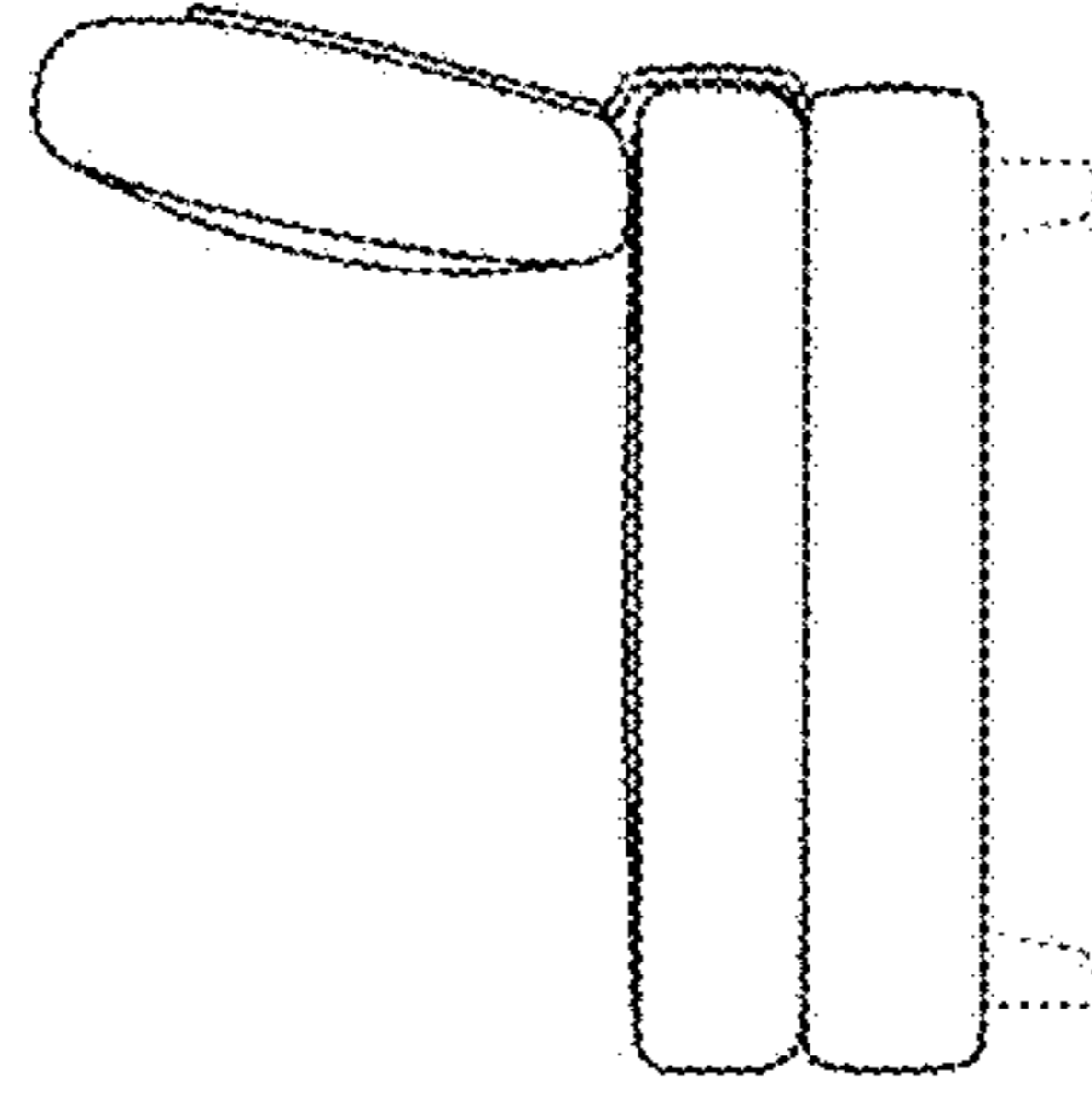


FIG. 5

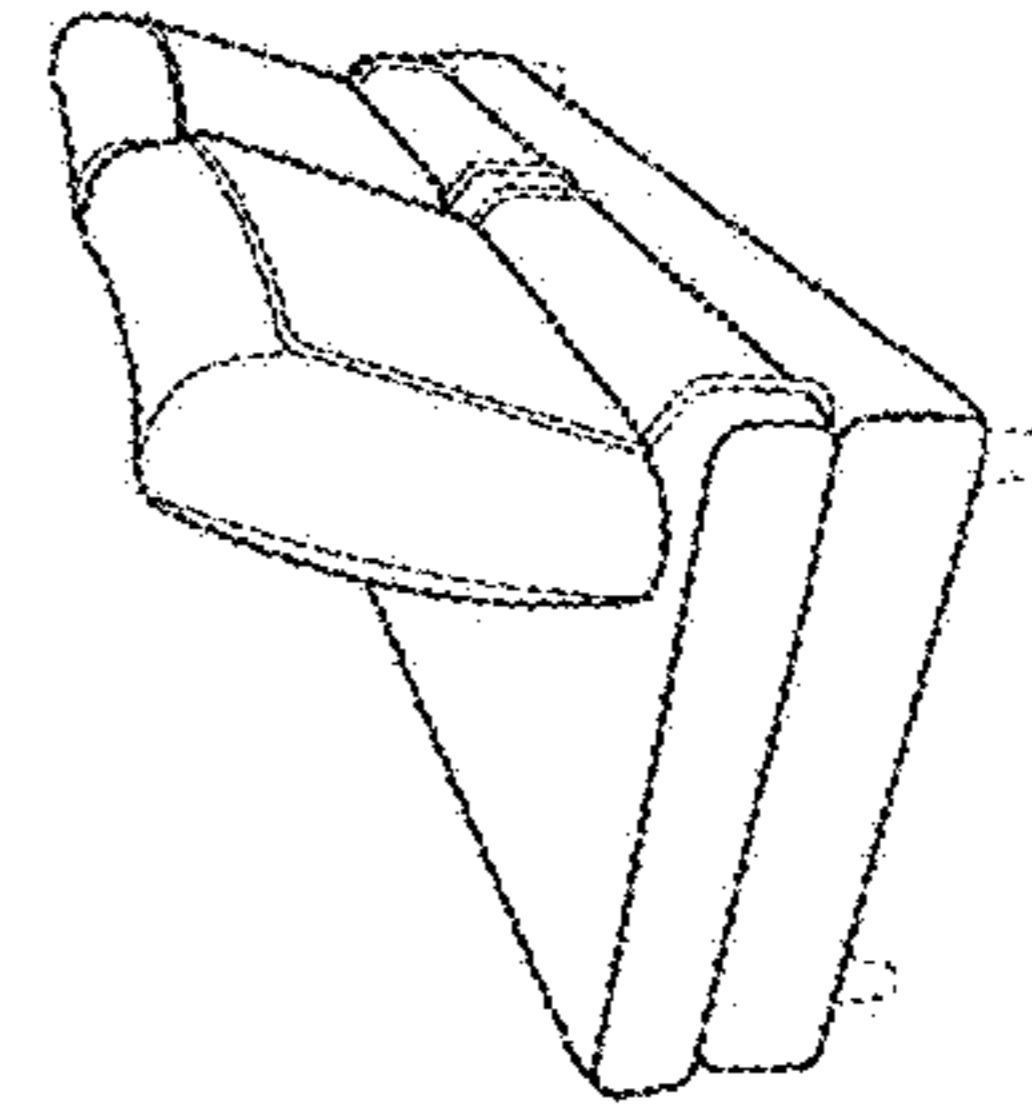


FIG. 7

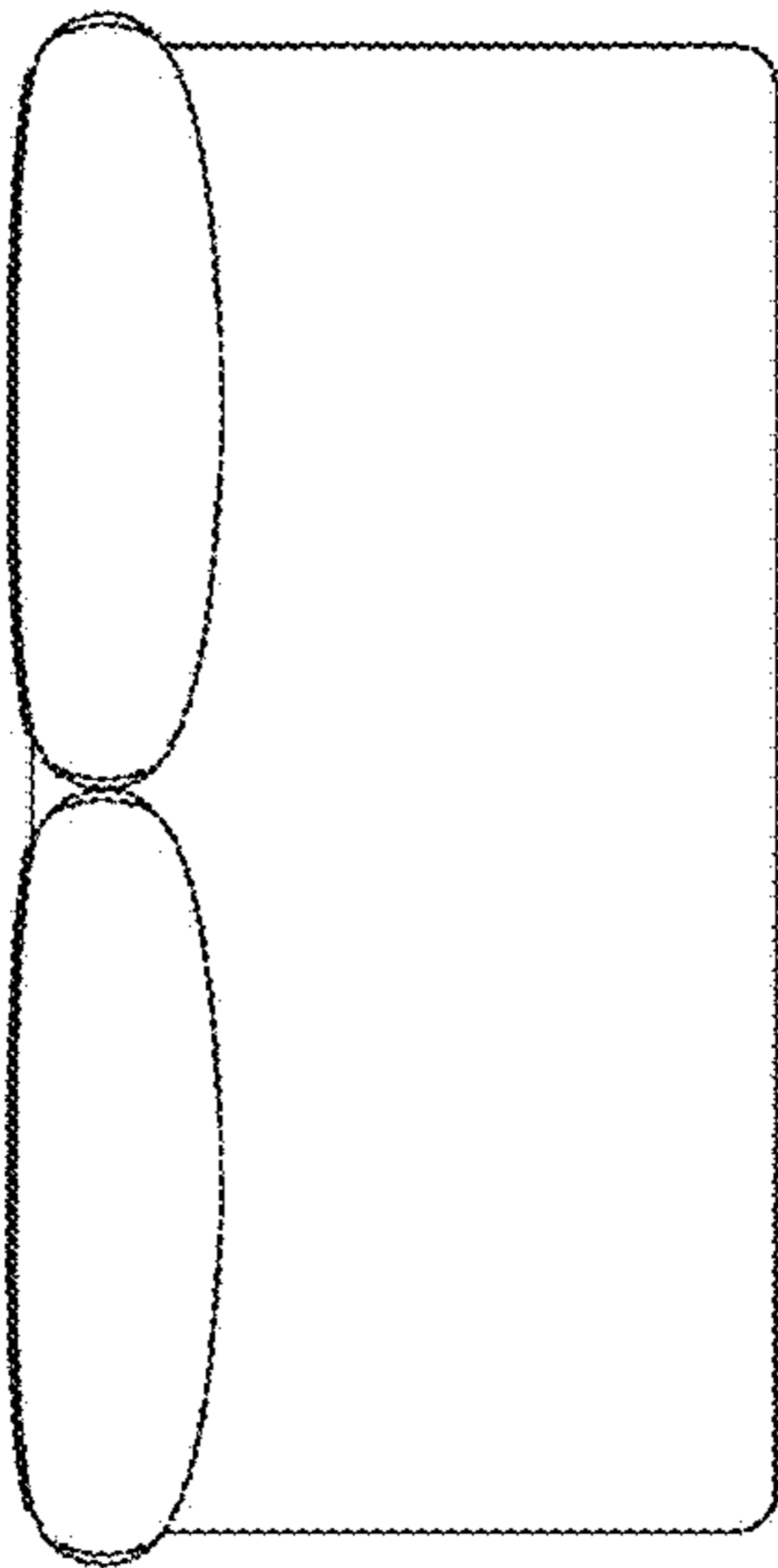


FIG. 1

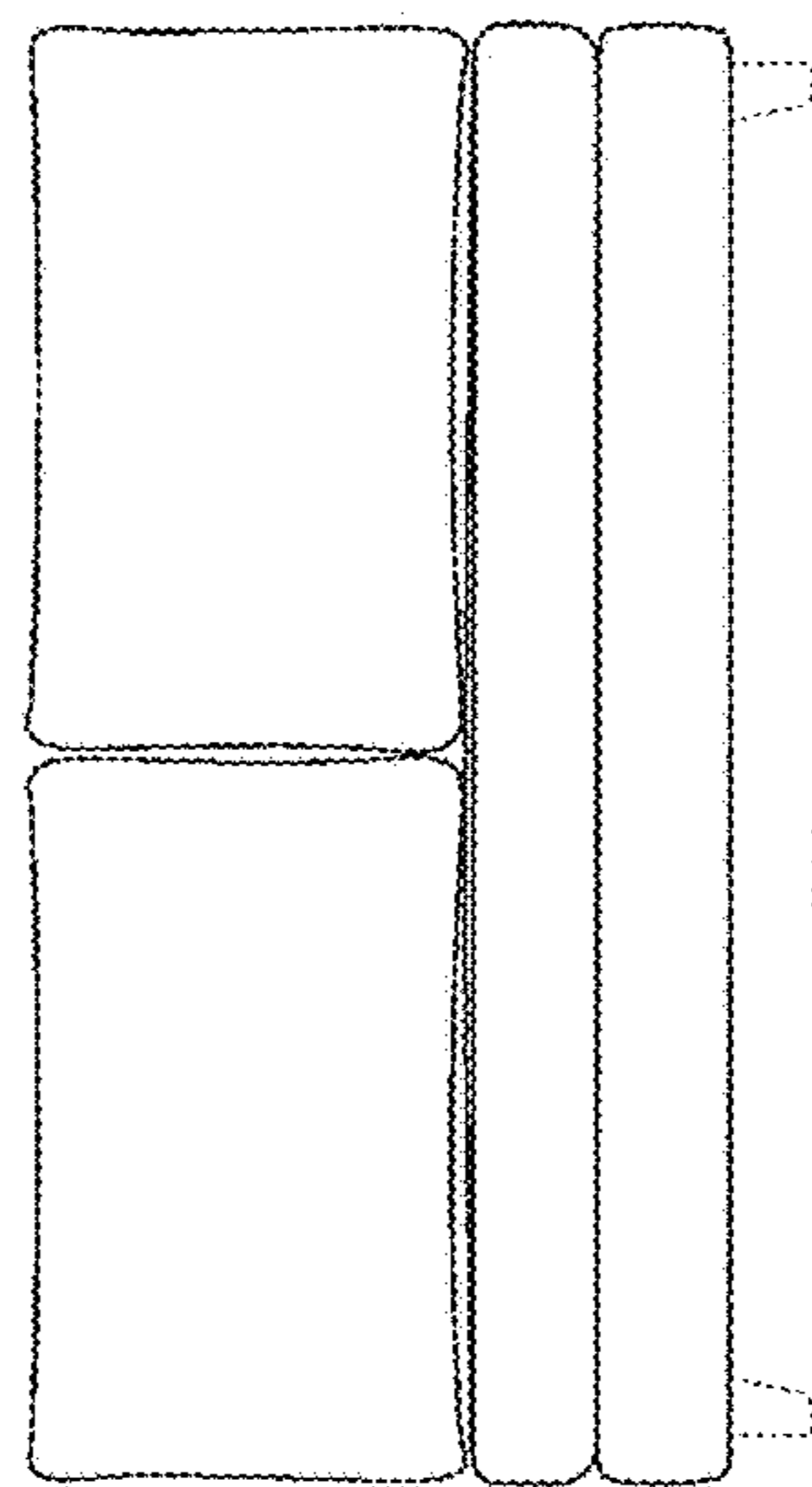


FIG. 4

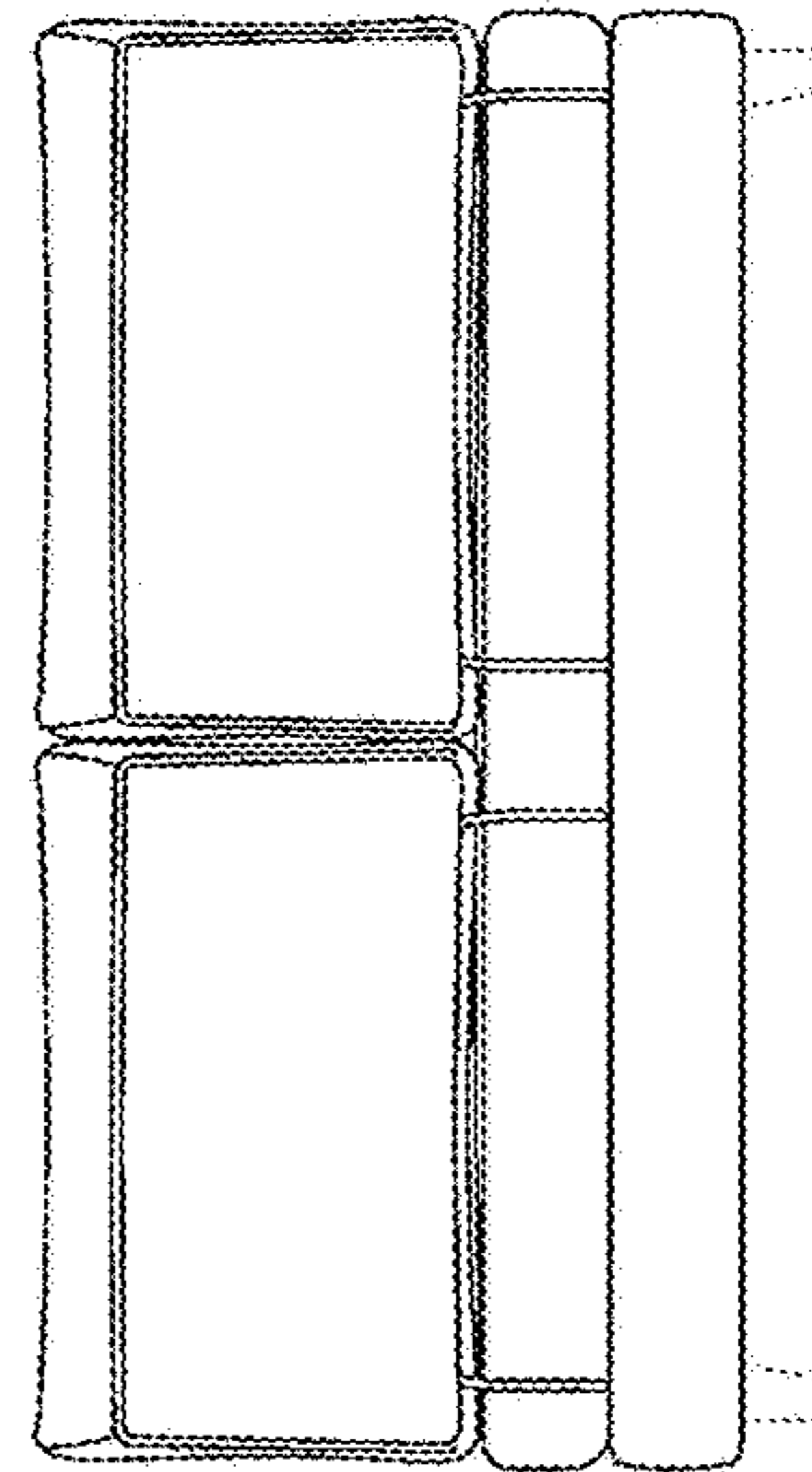


FIG. 6

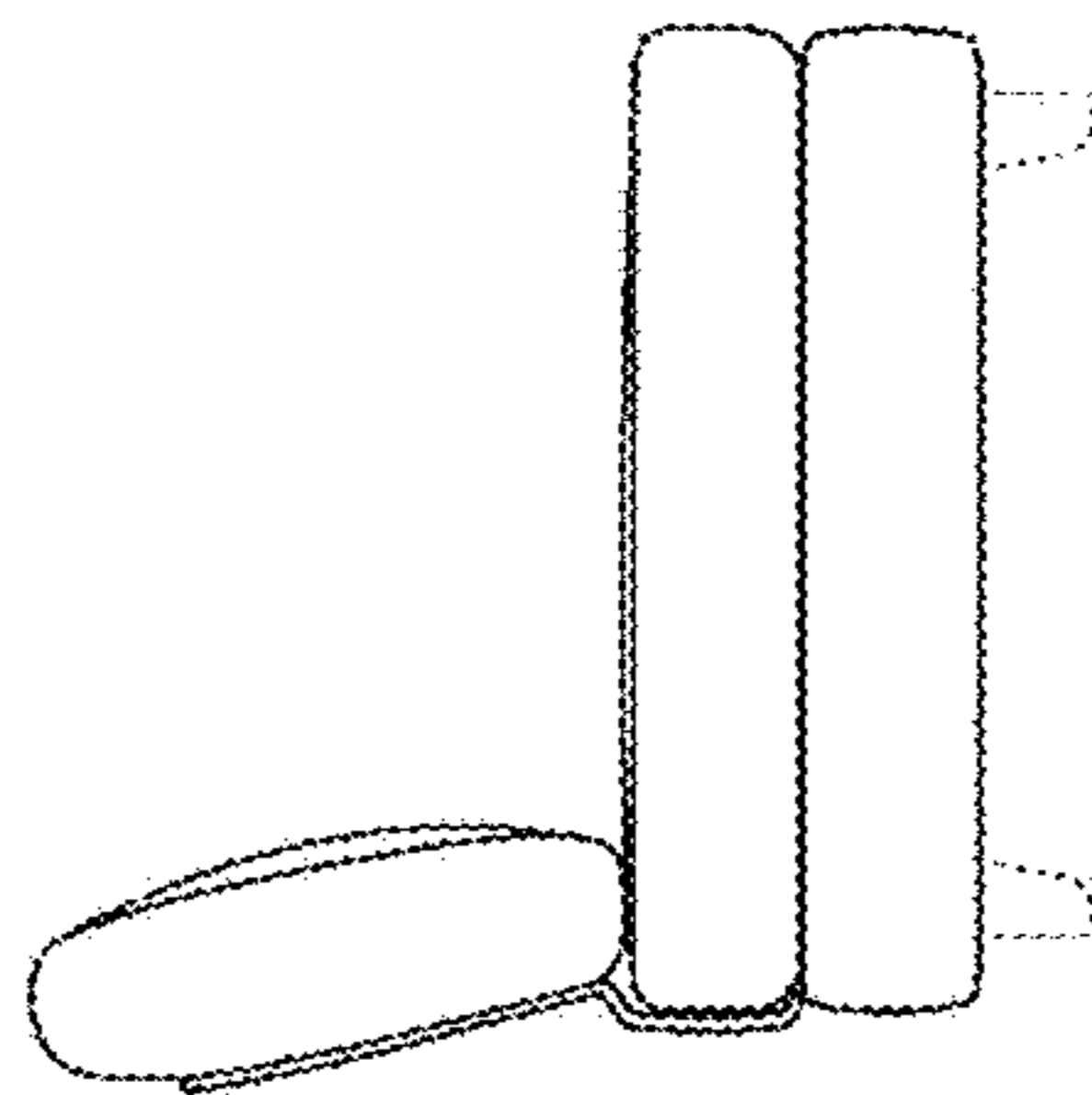


FIG. 3