

US00D849437S

(12) **United States Design Patent**
Yang

(10) **Patent No.:** **US D849,437 S**

(45) **Date of Patent:** **** May 28, 2019**

(54) **FOLDABLE CHAIR WITH CARRYING STRAPS AND SLIDING TABLE**

(71) Applicant: **Zhejiang Hengfeng Top Leisure Co., Ltd.**, Wukang Town (CN)

(72) Inventor: **Baoqing Yang**, HangZhou (CN)

(73) Assignee: **Zhejiang Hengfeng Top Leisure Co., Ltd.**, Zhejiang (CN)

(**) Term: **15 Years**

(21) Appl. No.: **29/629,511**

(22) Filed: **Dec. 13, 2017**

(51) **LOC (11) Cl.** **06-01**

(52) **U.S. Cl.**
USPC **D6/368**

(58) **Field of Classification Search**
USPC D6/334-336, 368, 373, 374, 375, 379, D6/380, 716, 716.1, 716.2, 716.3, 716.4
CPC .. A47C 4/03; A47C 4/28; A47C 4/283; A47C 4/30; A47C 4/38; A47C 4/40; A47C 4/42; A47C 4/48; A47C 5/06; A47C 5/10; A47C 31/11; A47C 7/68; A47C 7/70
See application file for complete search history.

(56) **References Cited**

U.S. PATENT DOCUMENTS

3,151,909	A *	10/1964	Gerdetz	A47C 31/11 224/155
4,514,009	A *	4/1985	Vanderminden	A47C 5/10 297/16.1
4,577,901	A *	3/1986	Phillips	A47C 4/03 224/155
4,715,650	A *	12/1987	Berman	A47C 4/02 297/28
4,889,383	A *	12/1989	Jones	A47C 5/10 297/16.1

5,054,848 A * 10/1991 Liu A47C 5/10
297/16.1

5,409,291 A 4/1995 Lamb et al.

5,527,088 A 6/1996 MacLean

5,536,064 A 7/1996 MacLean

5,564,779 A * 10/1996 Tolbert A47C 7/70
297/144

D412,251 S * 7/1999 Tseng D6/368

D412,407 S * 8/1999 Tseng D6/368

6,000,752 A 12/1999 Shyr

(Continued)

Primary Examiner — Mimososa De

(74) *Attorney, Agent, or Firm* — Thompson Coburn LLP

(57) **CLAIM**

The ornamental design for a foldable chair with carrying straps and sliding table, as shown and described.

DESCRIPTION

FIG. 1 is a perspective view showing our new design with a sliding tray in a first orientation.

FIG. 2 is an alternative perspective view thereof.

FIG. 3 is a front view thereof.

FIG. 4 is a rear view thereof.

FIG. 5 is a left side view thereof.

FIG. 6 is a right side view thereof.

FIG. 7 is a top view thereof.

FIG. 8 is a bottom view thereof.

FIG. 9 is an alternative perspective view thereof.

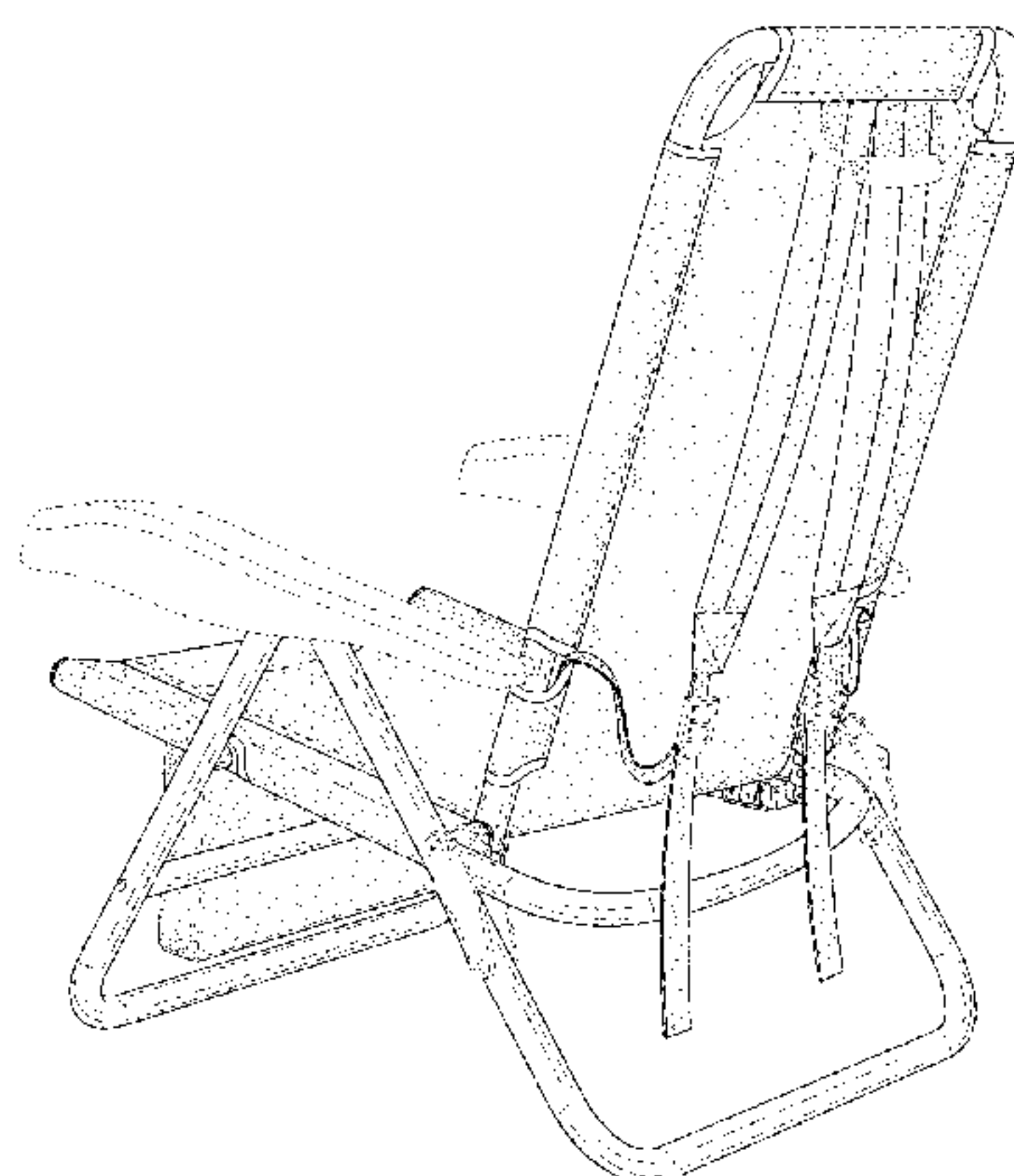
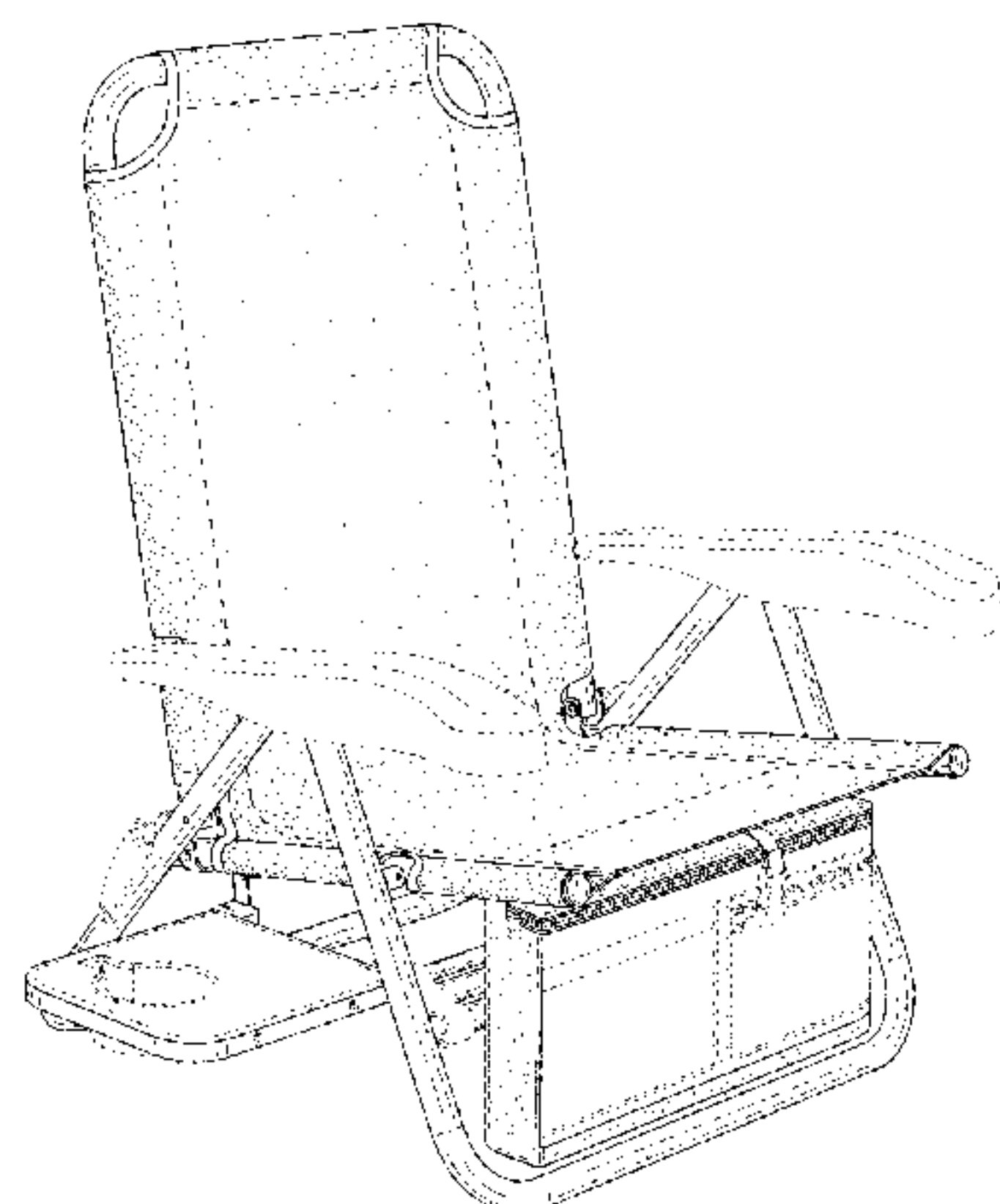
FIG. 10 is a perspective view showing our new design with the sliding tray in an alternate orientation.

FIG. 11 is a perspective view showing our new design with the sliding tray in another alternate orientation; and,

FIG. 12 is a perspective view showing our new design with the sliding tray in another alternate orientation.

The darker broken lines shown on the fabric of the backrest and seat represent stitching, other lighter broken lines shown in the drawing are for the purpose of illustrating environmental structure and form no part of the claimed design.

1 Claim, 12 Drawing Sheets



(56)

References Cited

U.S. PATENT DOCUMENTS

6,764,132 B1 * 7/2004 Gaertner A47C 5/10
297/130
RE39,022 E 3/2006 Welsh
7,118,172 B1 10/2006 Pattison-Sheets
D547,981 S 8/2007 Cohen
D571,115 S 6/2008 Cohen
D639,577 S * 6/2011 Tseng D6/368
D651,010 S 12/2011 Cohen
D654,714 S * 2/2012 Tseng D6/368
8,197,000 B1 6/2012 Cohen
8,333,428 B2 12/2012 Zhu et al.
8,905,471 B2 12/2014 Tang
9,185,983 B1 11/2015 Cohen
9,681,753 B1 * 6/2017 Rudolph A47C 7/70
D804,232 S * 12/2017 Oliphant D6/716.1
D804,880 S * 12/2017 Oliphant D6/716.4
2016/0198856 A1 7/2016 Grace

* cited by examiner

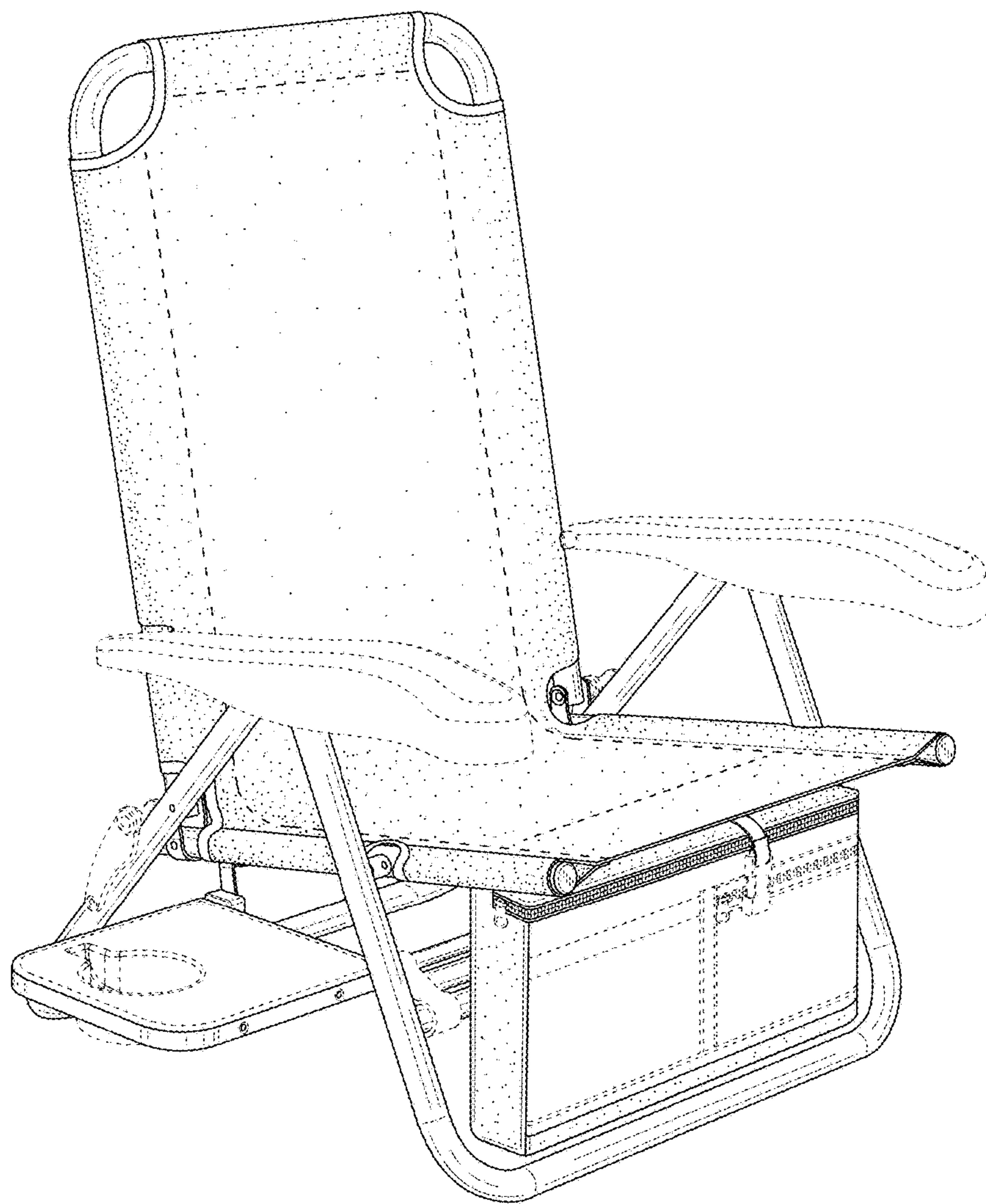


FIG. 1

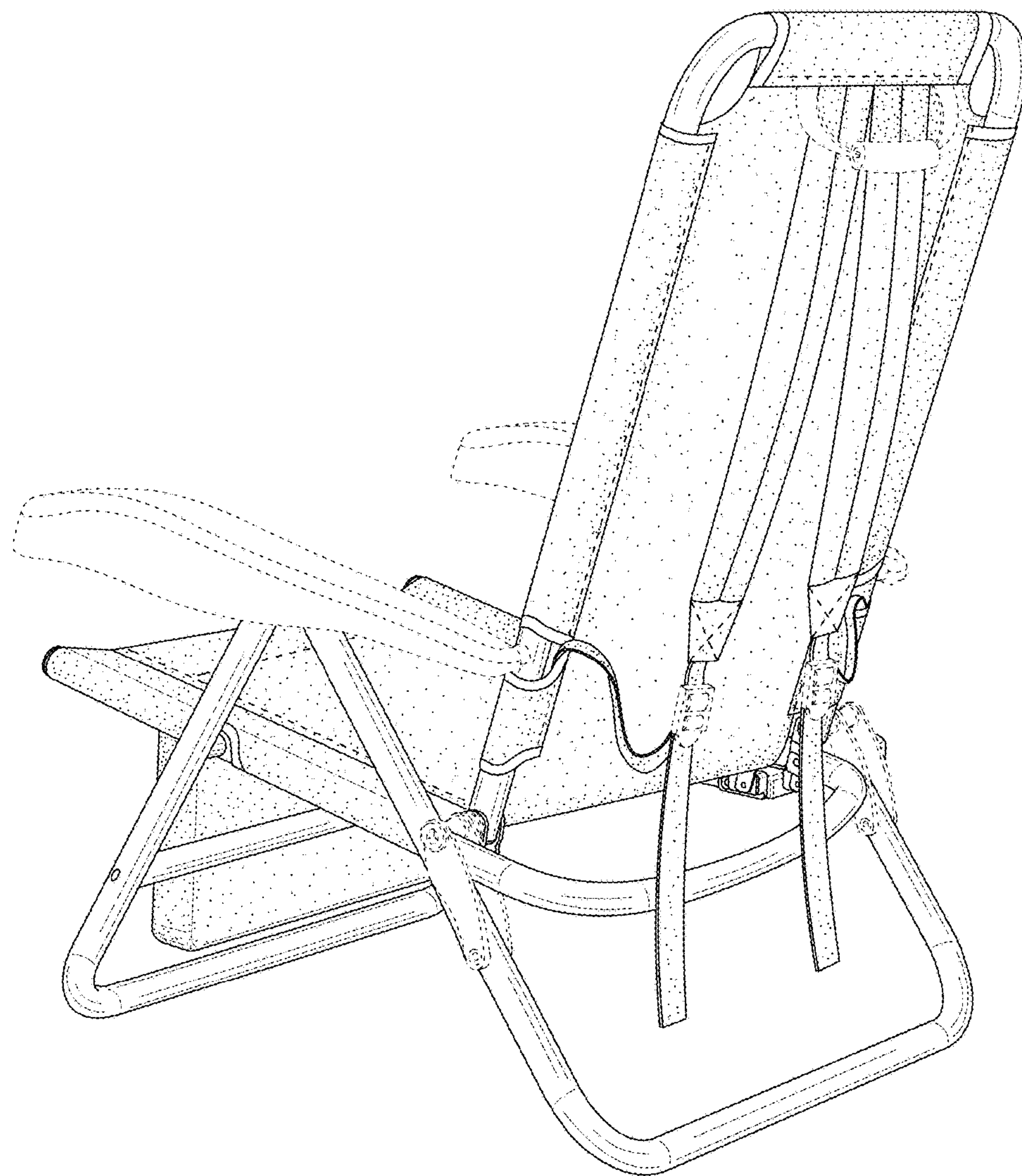


FIG. 2

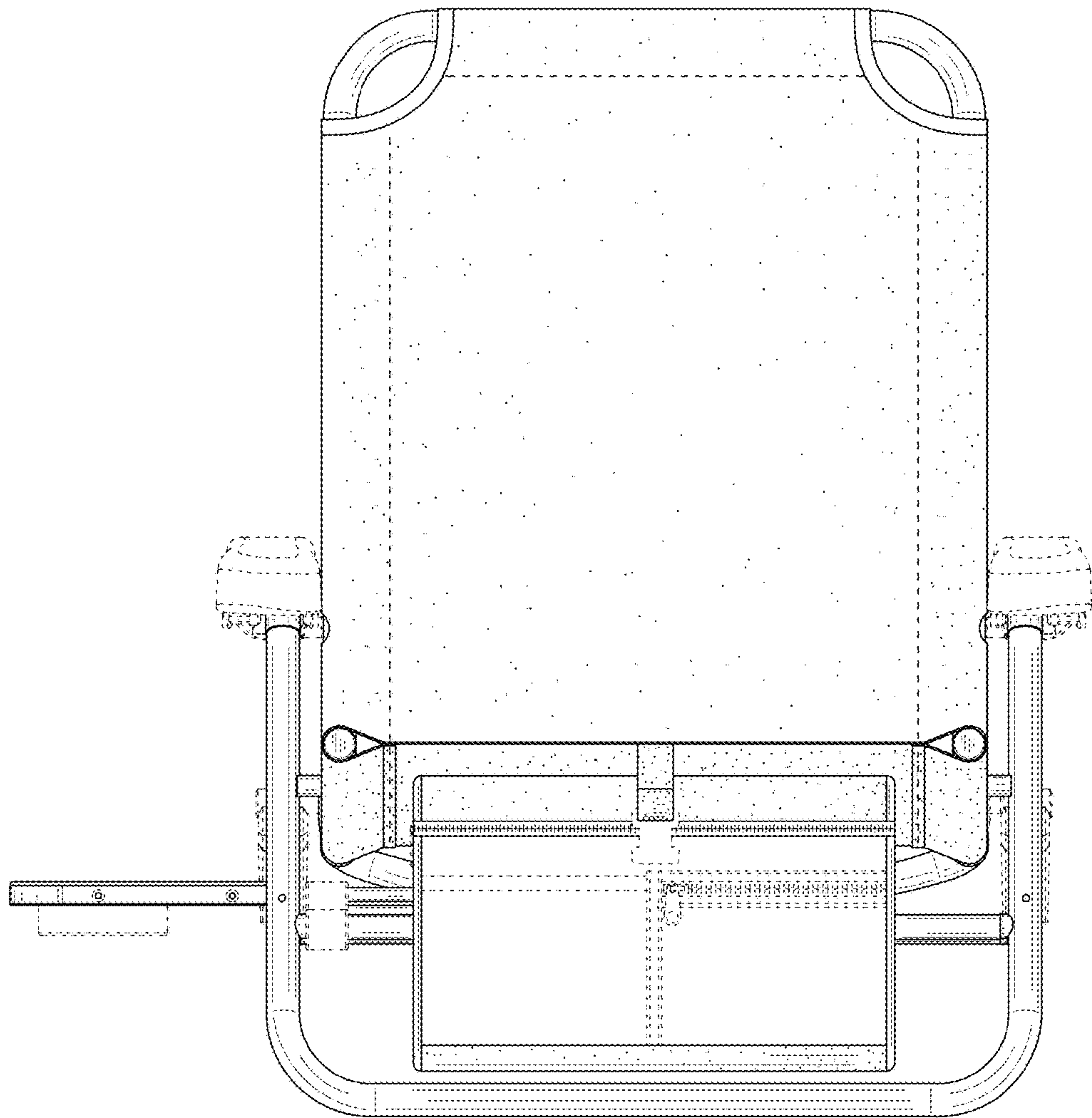


FIG. 3

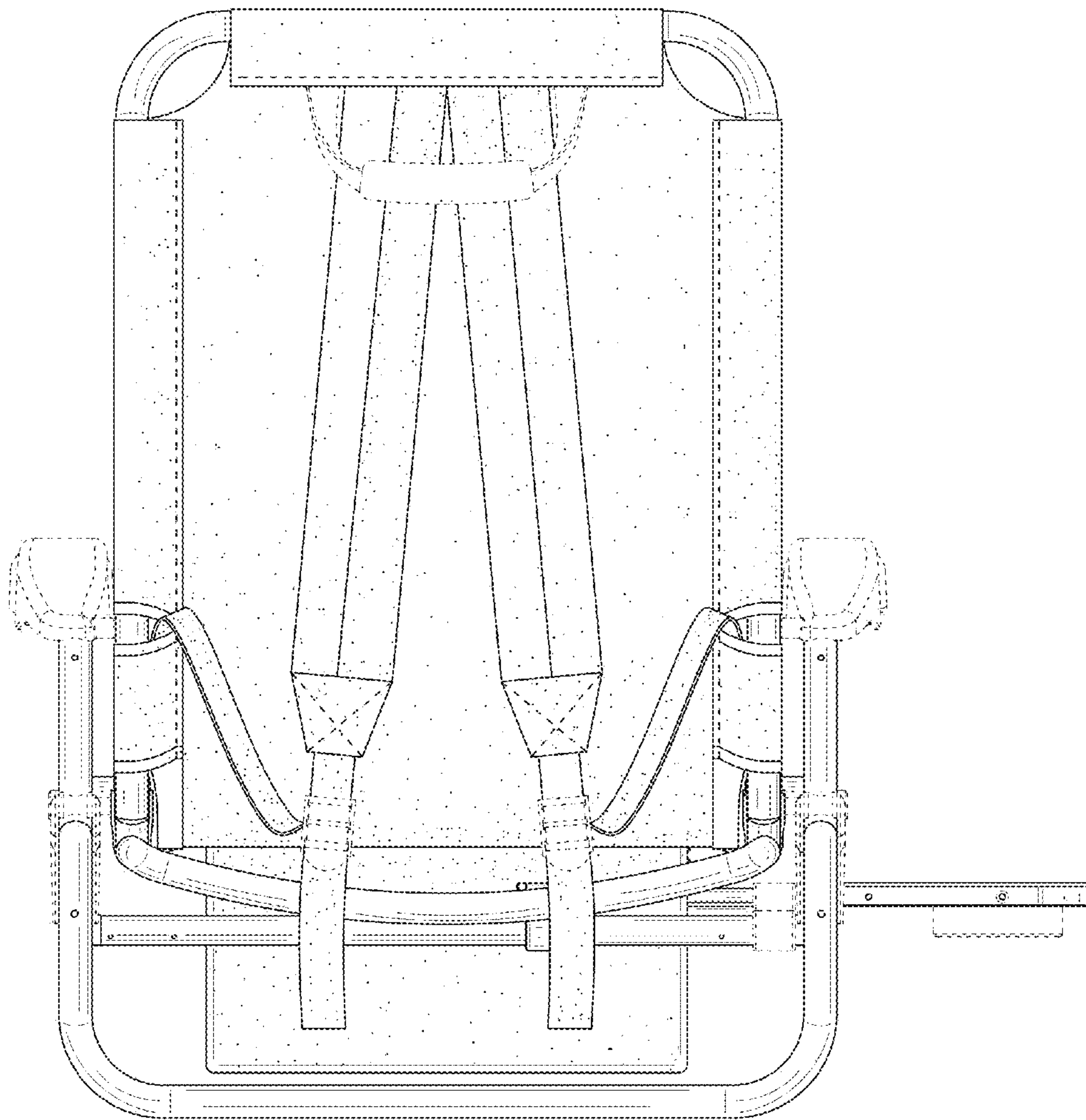


FIG. 4

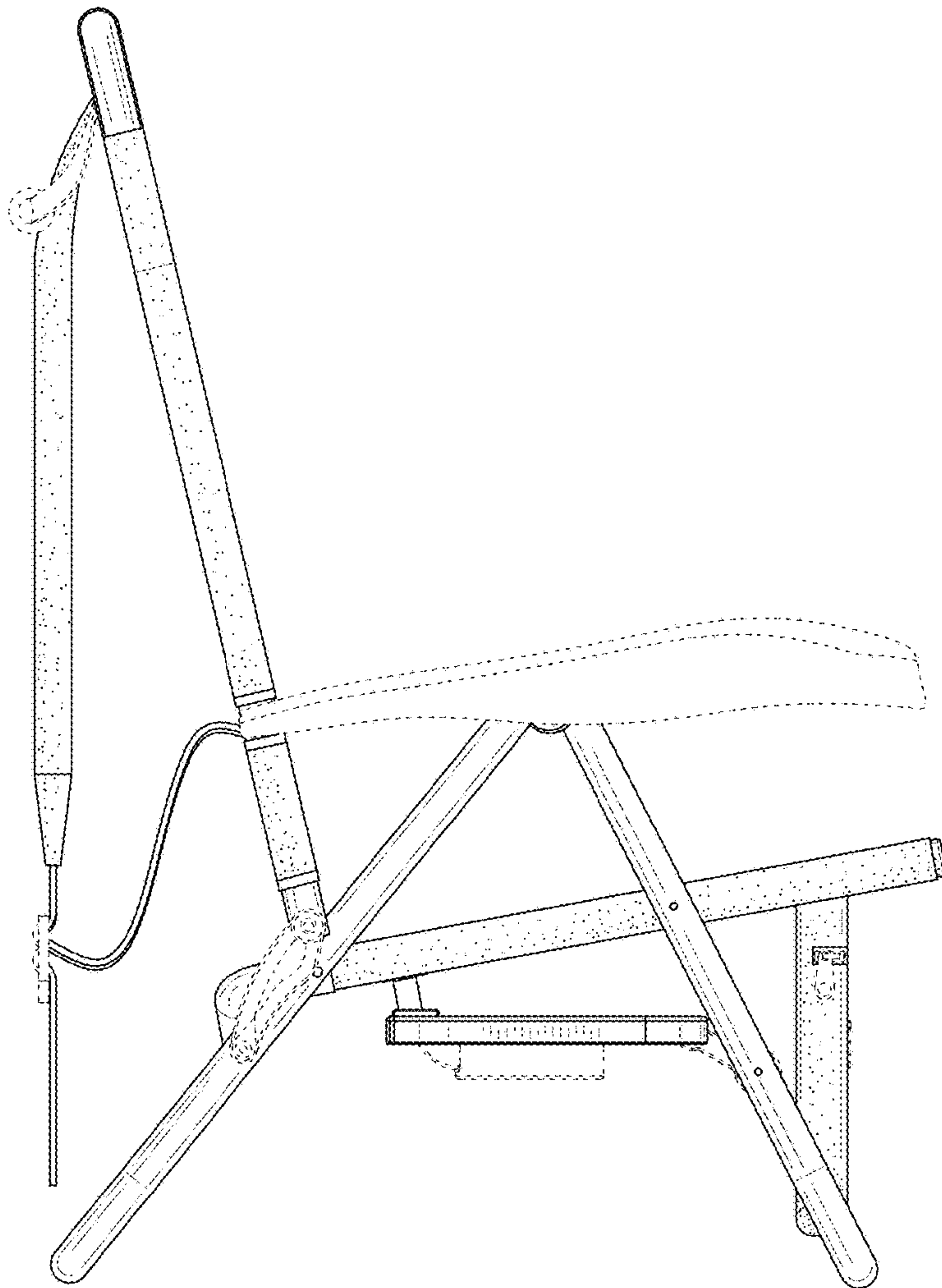


FIG. 5

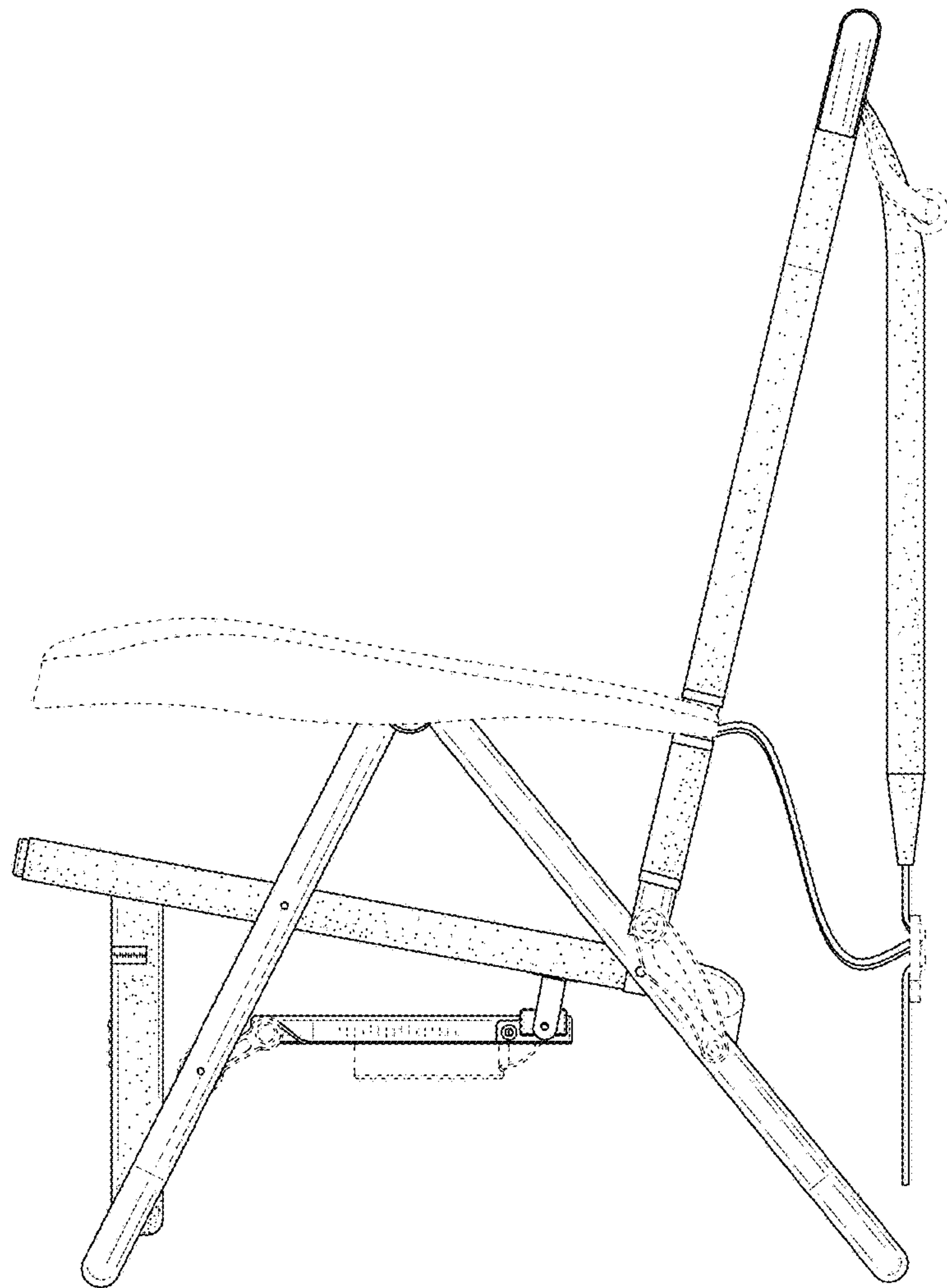


FIG. 6

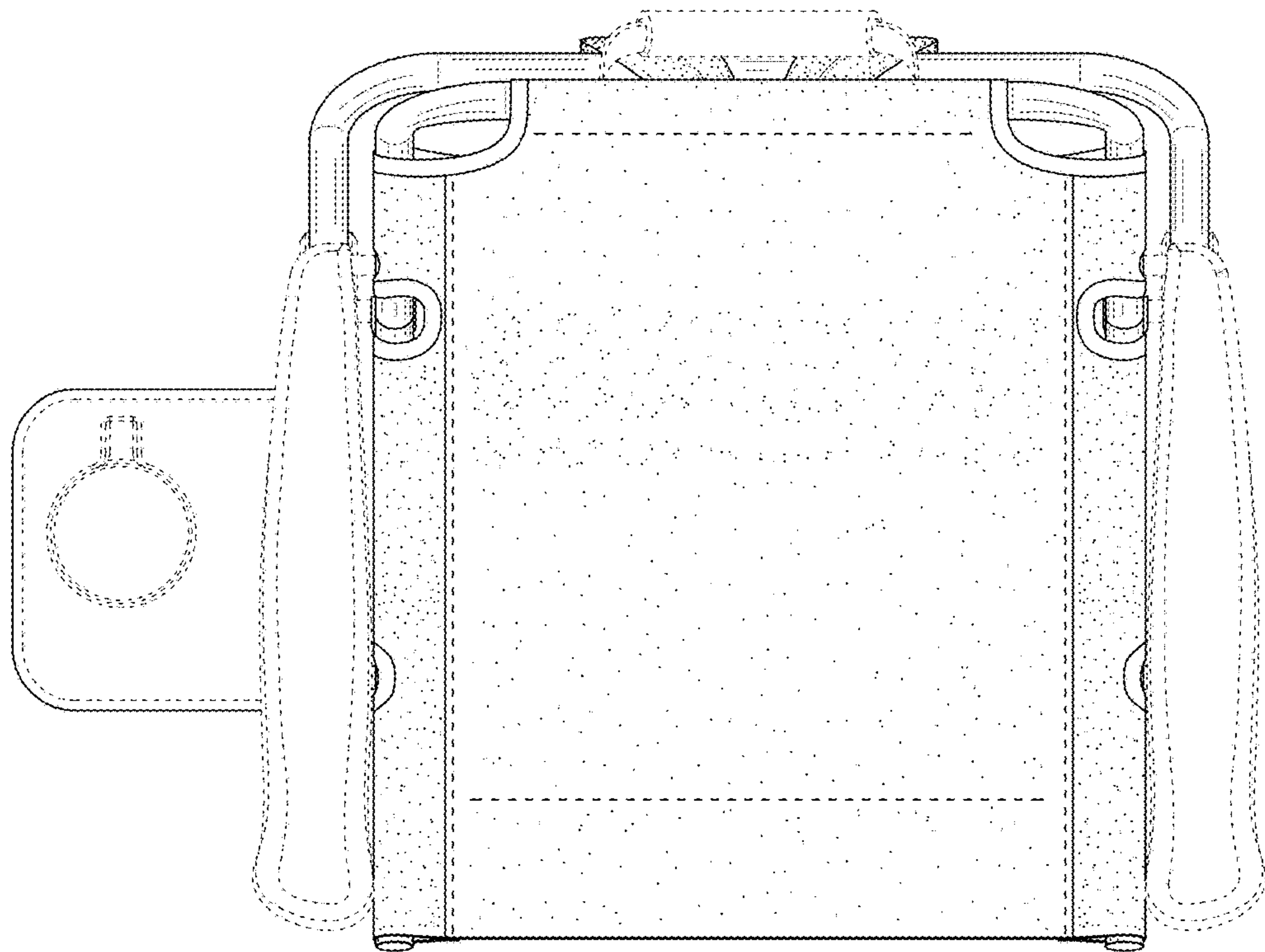


FIG. 7

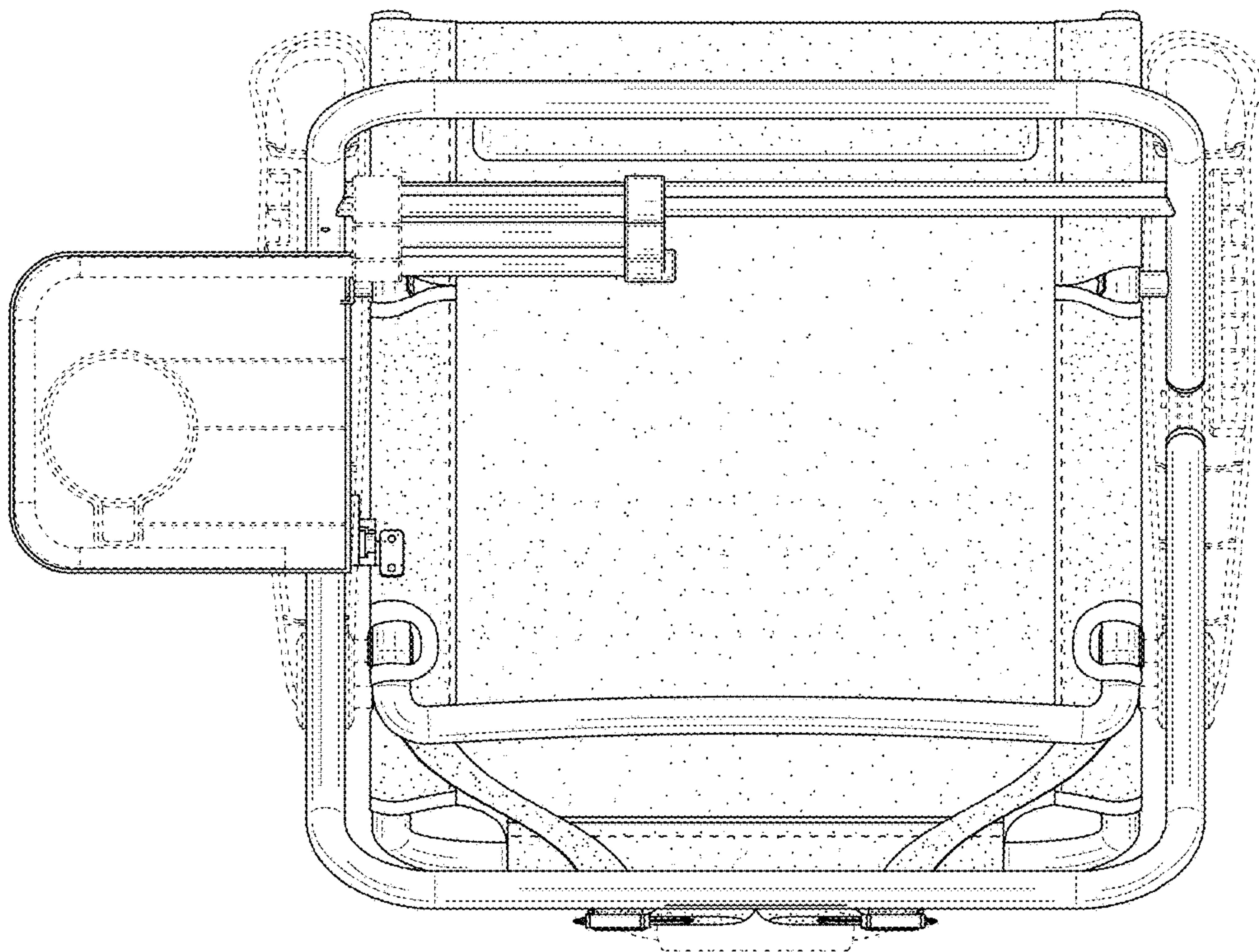


FIG. 8

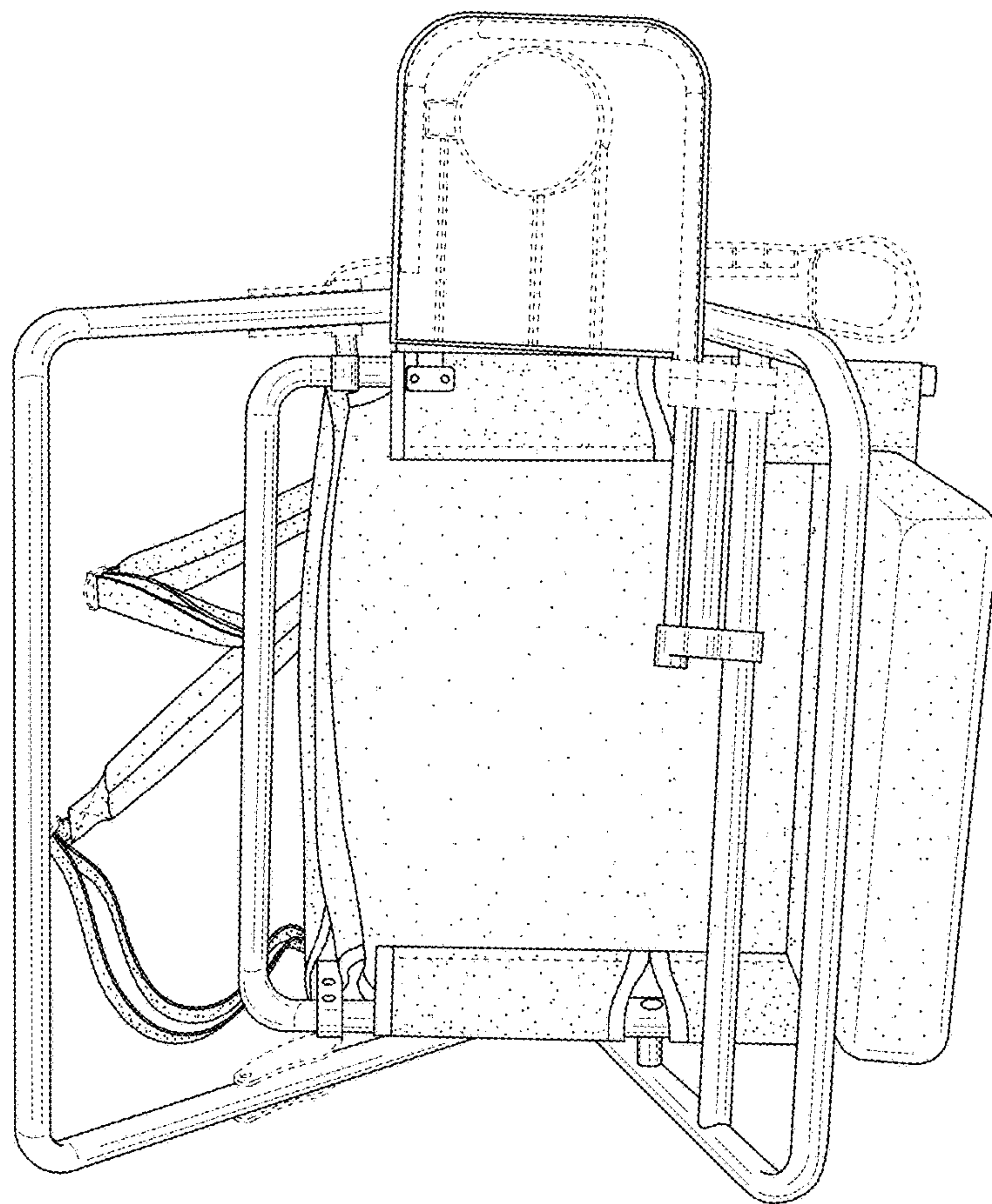


FIG. 9

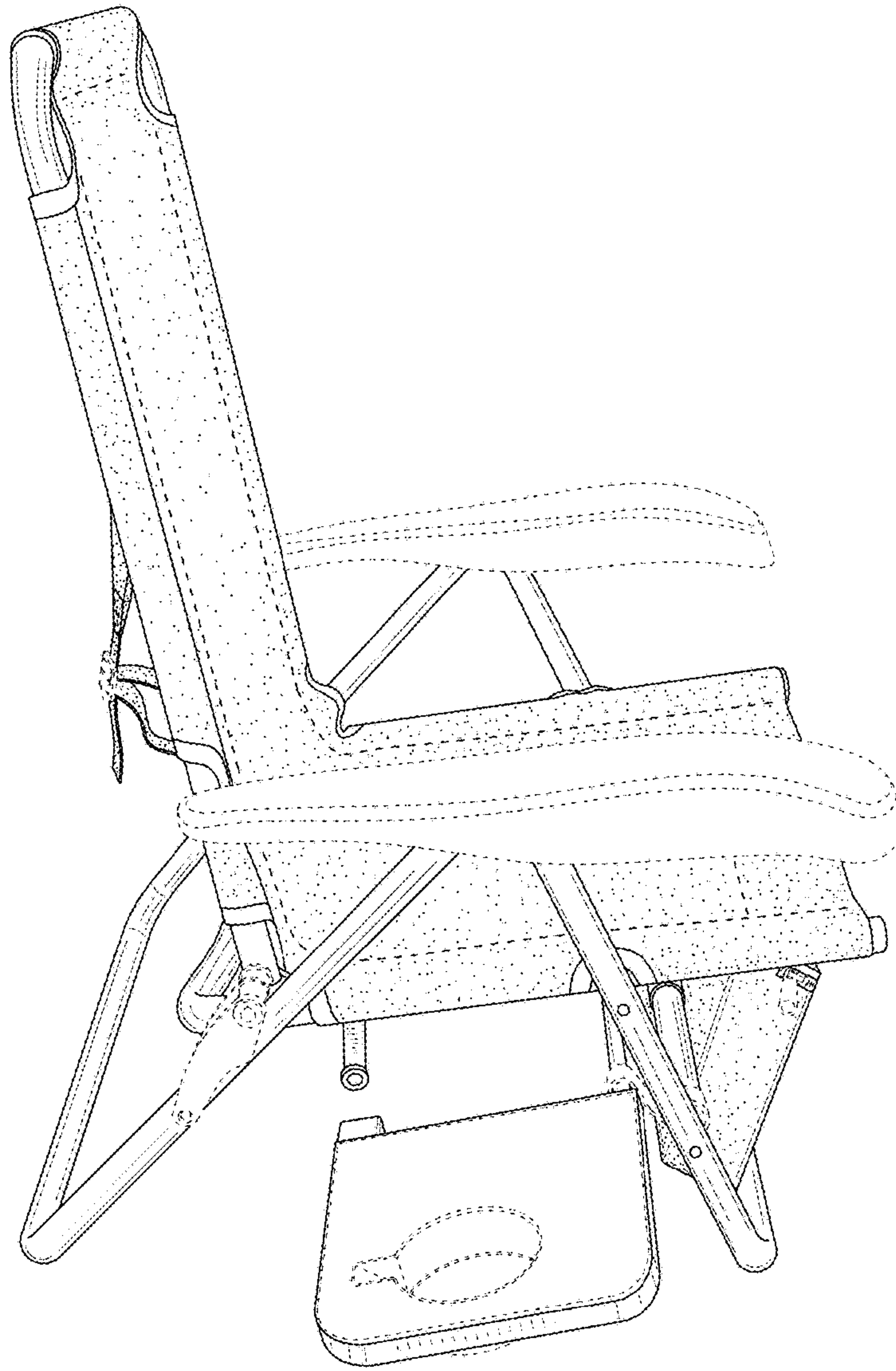


FIG. 10

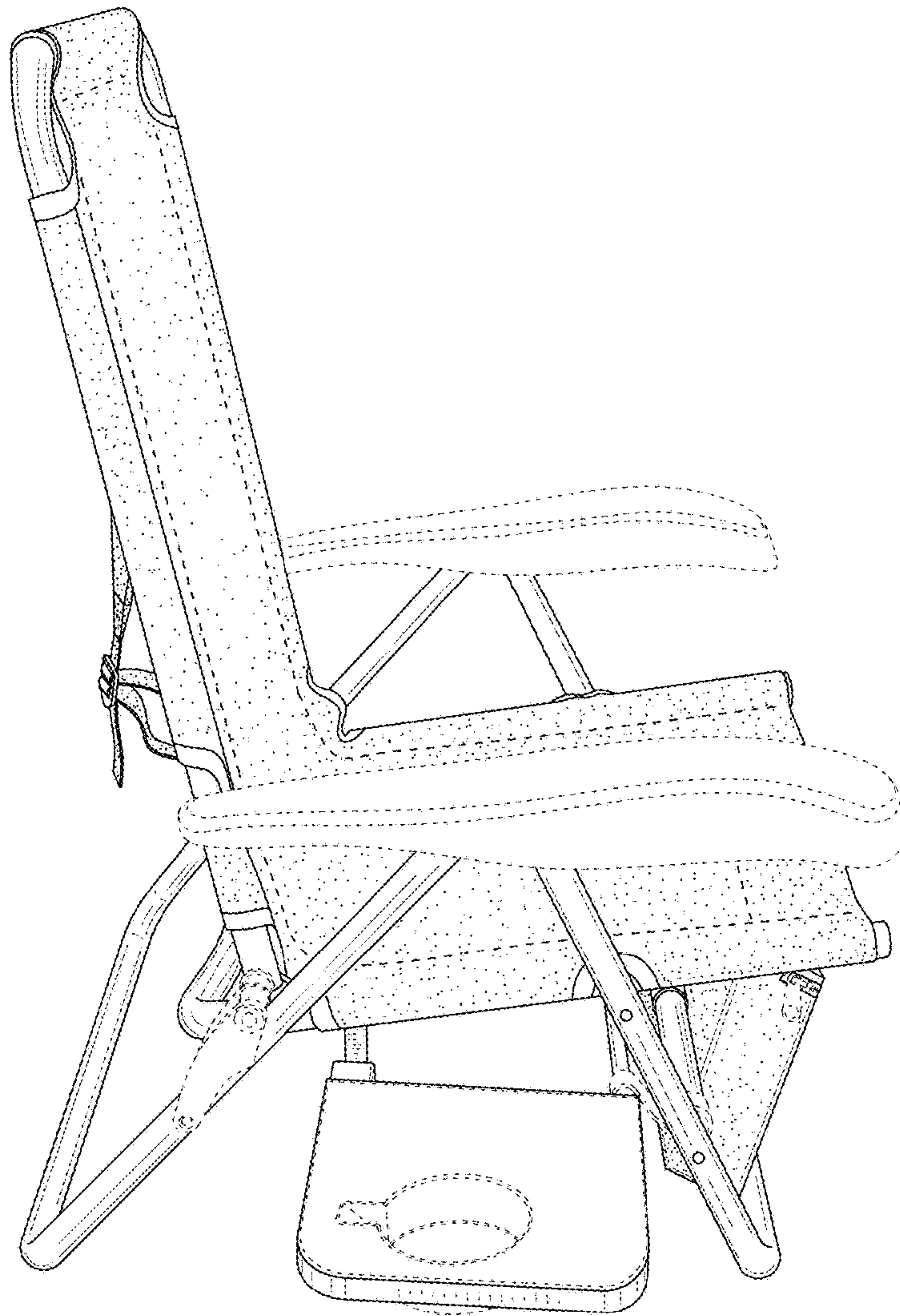


FIG. 11

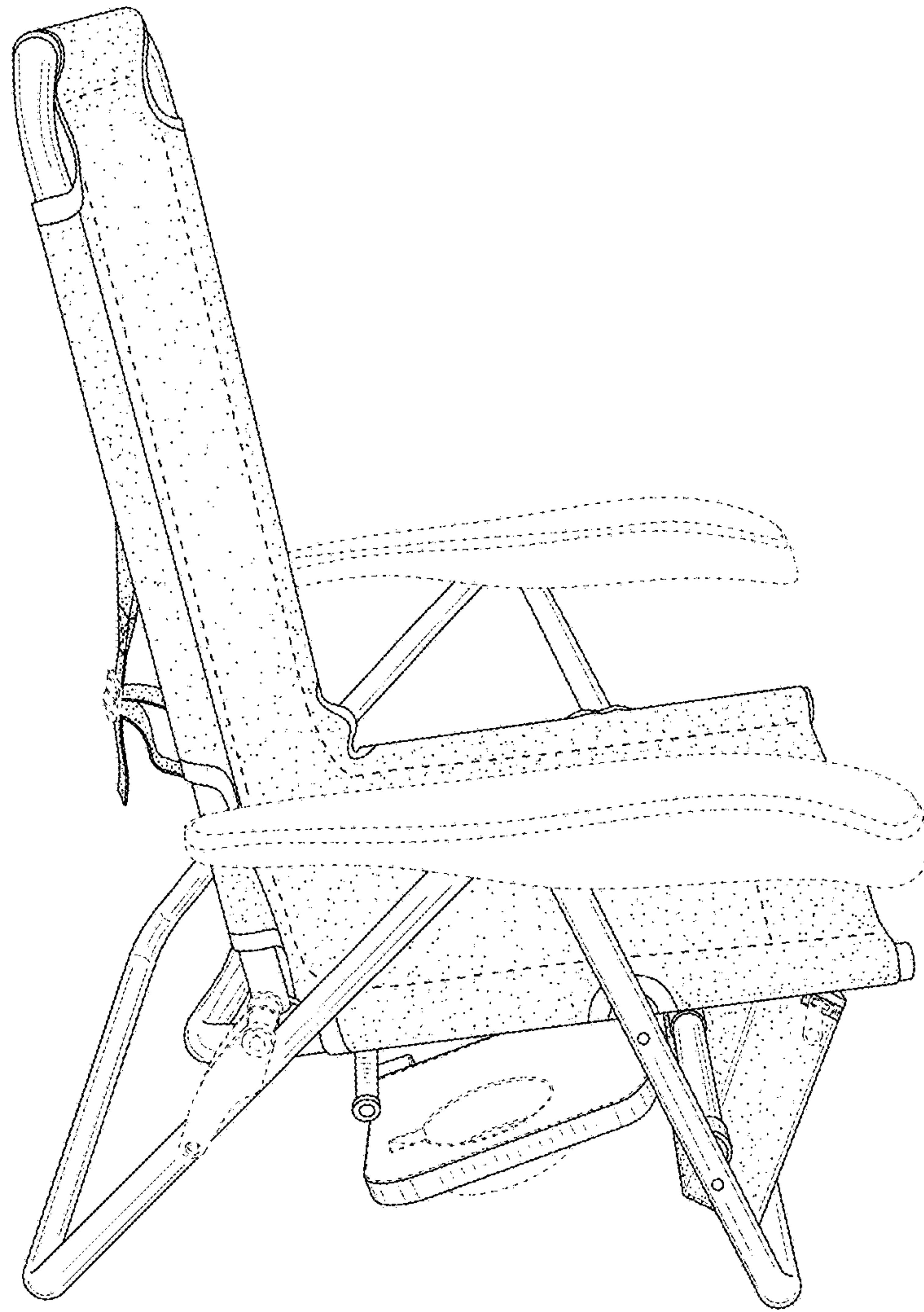


FIG. 12