



US00D849436S

(12) **United States Design Patent**  
**Zhu et al.**

(10) **Patent No.:** **US D849,436 S**

(45) **Date of Patent:** **\*\* May 28, 2019**

- (54) **FOLDING CHAIR**
- (71) Applicant: **ZHEJIANG SUNSHINE LEISURE PRODUCTS CO., LTD.**, Jinhua, Zhejiang Province (CN)
- (72) Inventors: **Xiaohui Zhu**, Jinhua (CN); **Xuefeng Zheng**, Jinhua (CN)
- (73) Assignee: **ZHEJIANG SUNSHINE LEISURE PRODUCTS CO., LTD.**, Jinhua, Zhejiang Province (CN)
- (\*\*) Term: **15 Years**
- (21) Appl. No.: **29/627,878**
- (22) Filed: **Nov. 30, 2017**
- (51) **LOC (11) Cl.** ..... **06-01**
- (52) **U.S. Cl.**  
USPC ..... **D6/368**
- (58) **Field of Classification Search**  
USPC ..... D6/334-336, 368, 371, 373, 374, 375, D6/379, 380, 716, 716.1, 716.2, 716.3, D6/716.4  
CPC .. A47C 4/28; A47C 4/283; A47C 4/30; A47C 4/42; A47C 4/48; A47C 4/50; A47C 5/04; A47C 5/06; A47C 5/10; A47C 7/282  
See application file for complete search history.

- 8,459,741 B2 \* 6/2013 Mazzola ..... A47C 4/48 297/16.2
- 8,678,490 B2 \* 3/2014 Chen ..... A47C 4/283 297/36
- 9,060,611 B2 \* 6/2015 Grace ..... A47C 4/283
- 9,254,044 B2 \* 2/2016 Dudik ..... A47C 4/283
- 9,332,849 B2 \* 5/2016 Wagner ..... A47C 4/283
- D796,856 S \* 9/2017 Meoli ..... D6/336
- 9,974,388 B1 \* 5/2018 Lv ..... A47C 4/42
- D821,767 S \* 7/2018 Meoli ..... D6/368
- 10,104,971 B1 \* 10/2018 Yang ..... A47C 5/10

\* cited by examiner

*Primary Examiner* — Mimoso De

(74) *Attorney, Agent, or Firm* — Muncy, Geissler, Olds & Lowe, P.C.

(57) **CLAIM**

The ornamental design for a folding chair, as shown and described.

**DESCRIPTION**

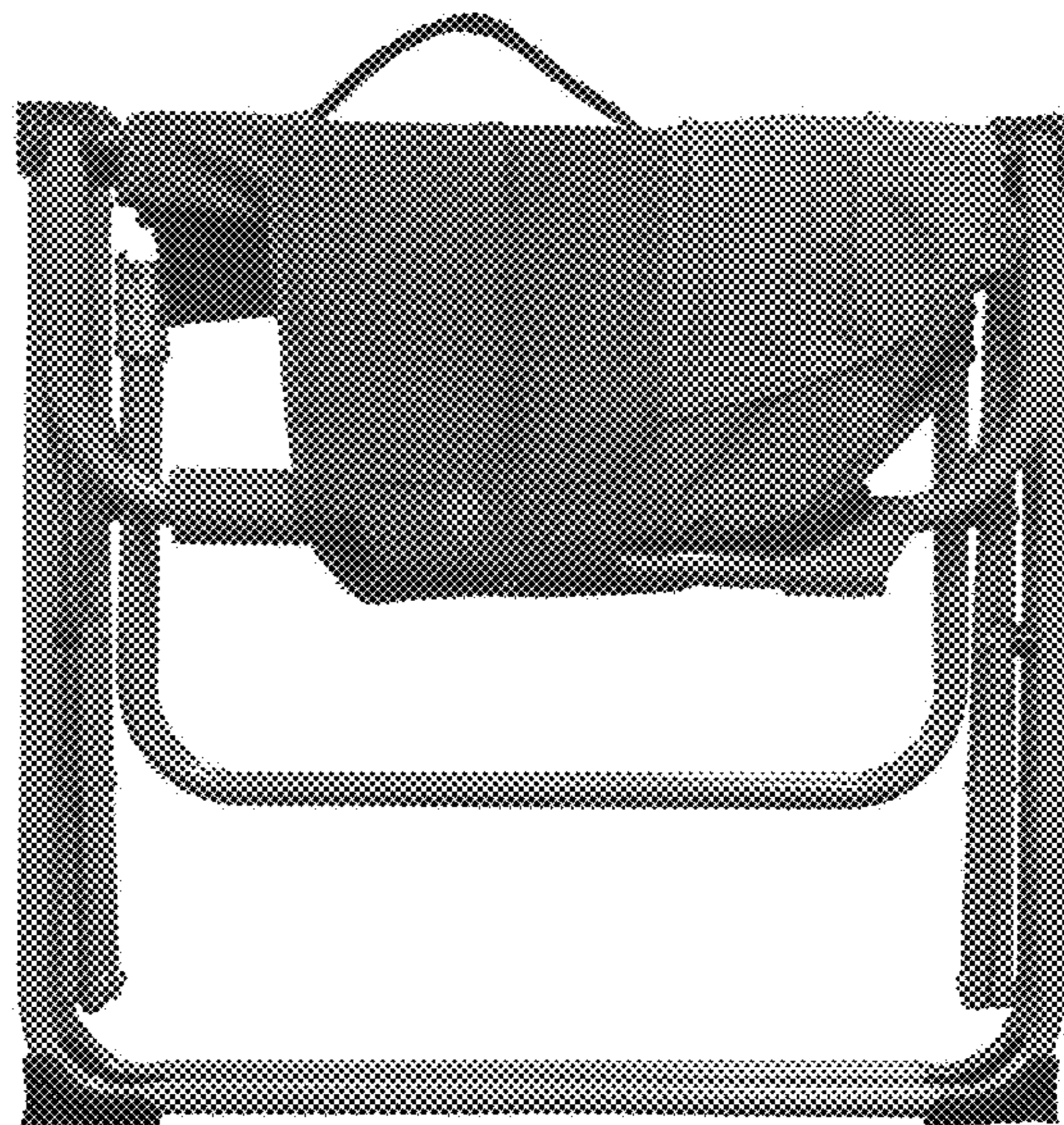
FIG. 1 is a perspective view of a folding chair showing our new design;  
 FIG. 2 is a front elevational view thereof;  
 FIG. 3 is a rear elevational view thereof;  
 FIG. 4 is a right side elevational view thereof;  
 FIG. 5 is a left side elevational view thereof;  
 FIG. 6 is a top plan view thereof;  
 FIG. 7 is a bottom plan view thereof;  
 FIG. 8 is a perspective view of the folding chair in an alternative, folded position;  
 FIG. 9 is a front elevational view thereof;  
 FIG. 10 is a rear elevational view thereof;  
 FIG. 11 is a right side elevational view thereof;  
 FIG. 12 is a left side elevational view thereof;  
 FIG. 13 is a top plan view thereof; and,  
 FIG. 14 is a bottom plan view thereof.

**1 Claim, 14 Drawing Sheets**

(56) **References Cited**

U.S. PATENT DOCUMENTS

- D251,044 S \* 2/1979 Persson ..... D6/368
- 6,540,290 B2 \* 4/2003 Liu ..... A47C 4/283 297/45
- D522,263 S \* 6/2006 Hart ..... D6/368
- 7,918,495 B2 \* 4/2011 Chen ..... A47C 4/283 297/42



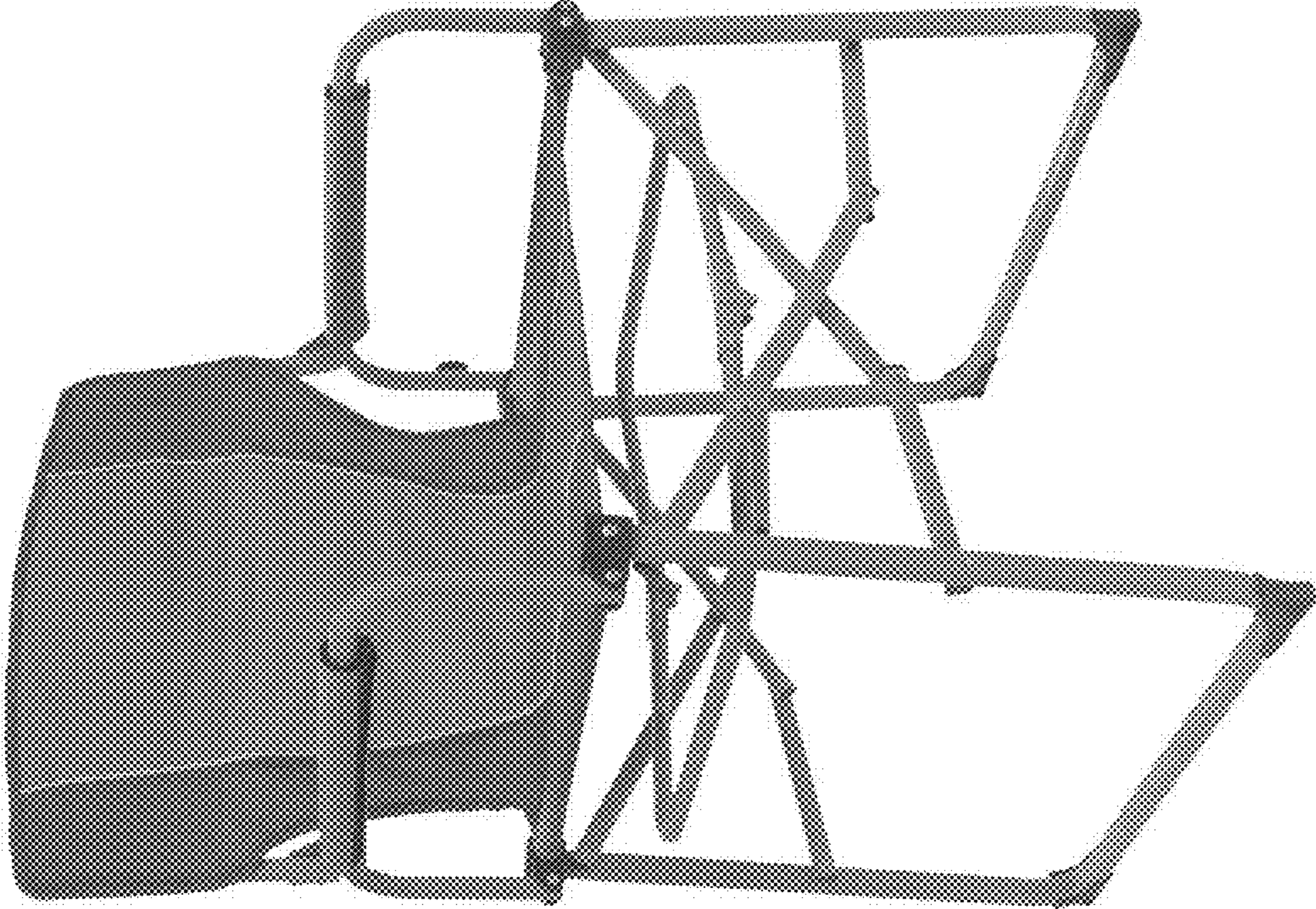


FIG. 1

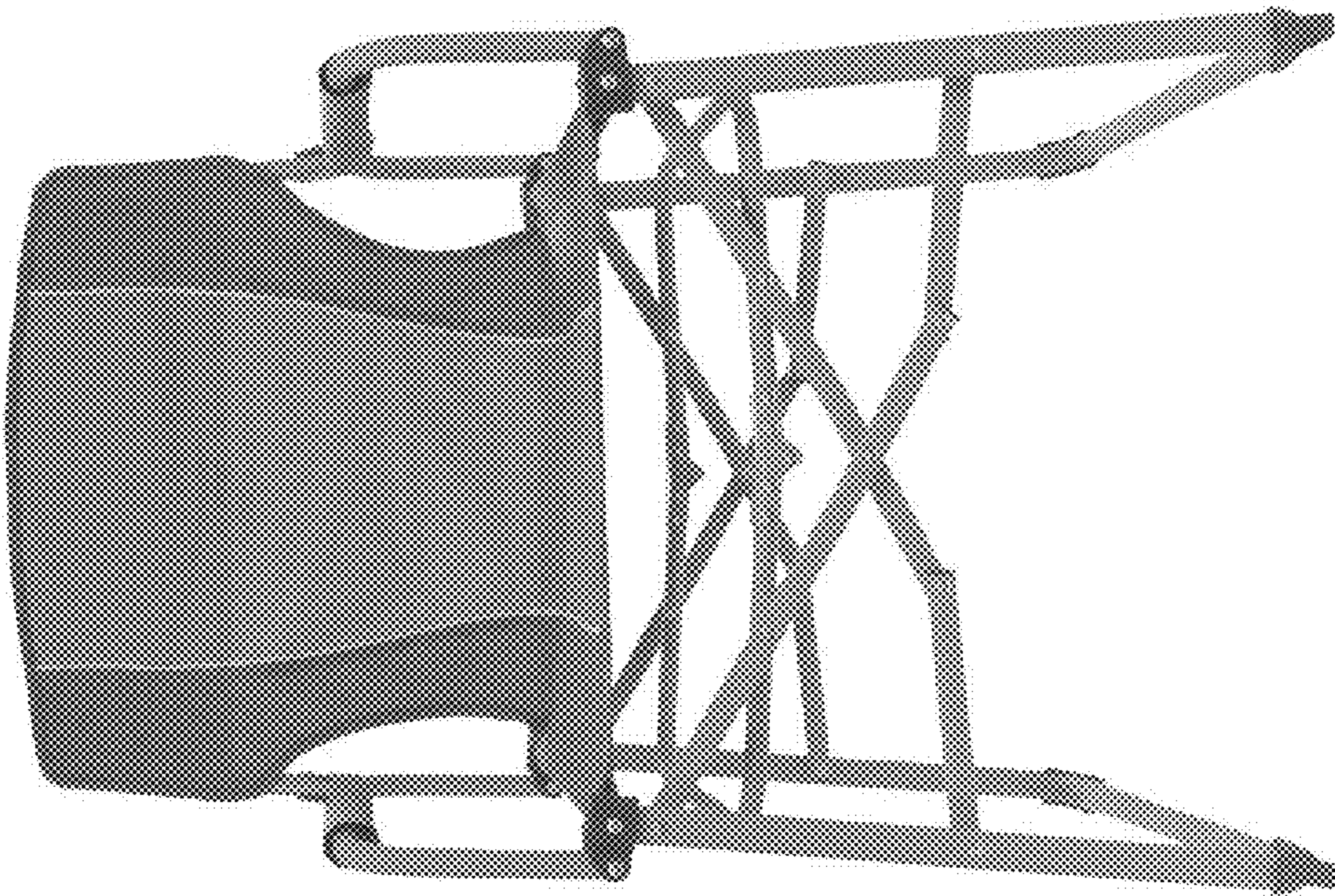


FIG. 2

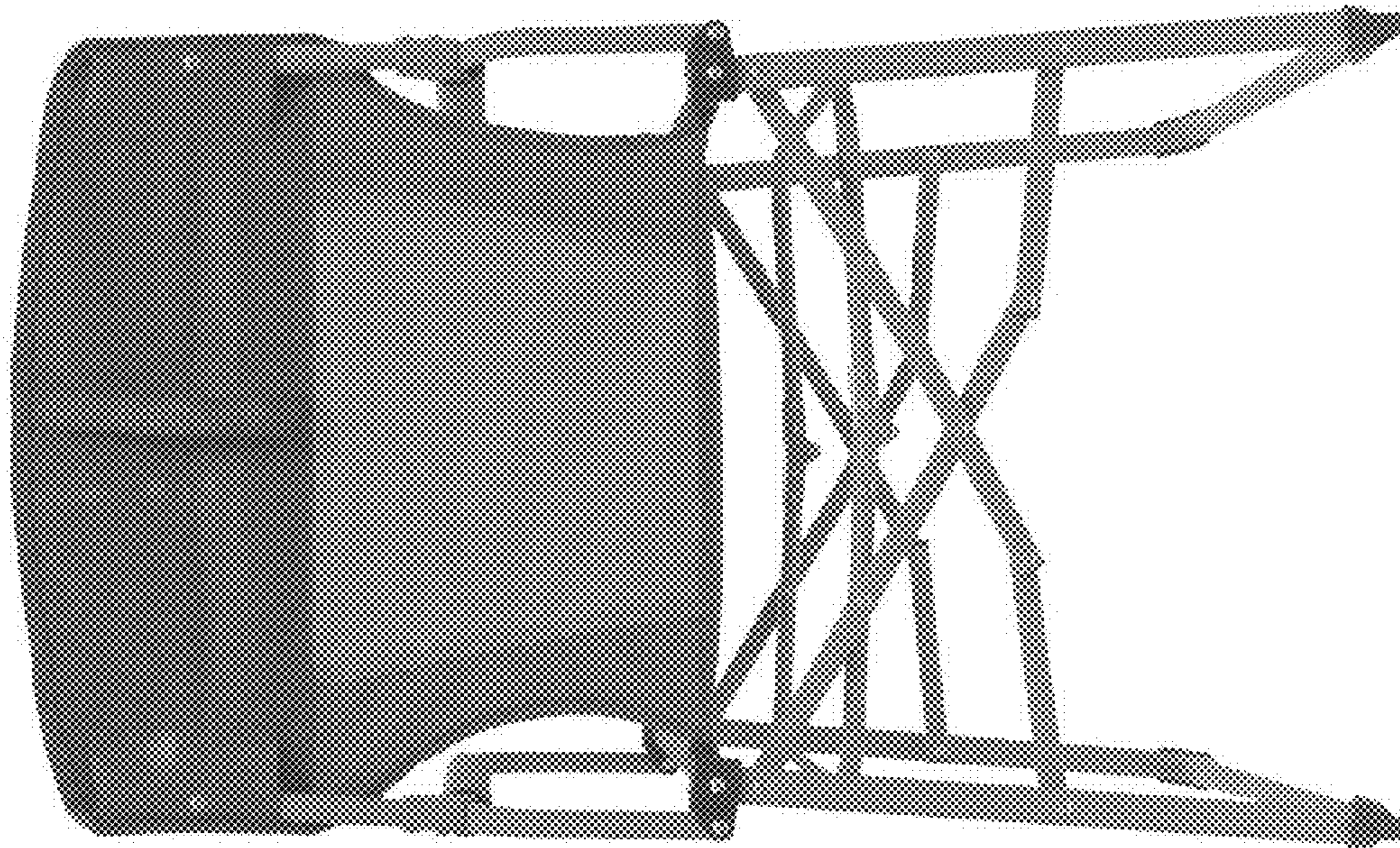


FIG. 3

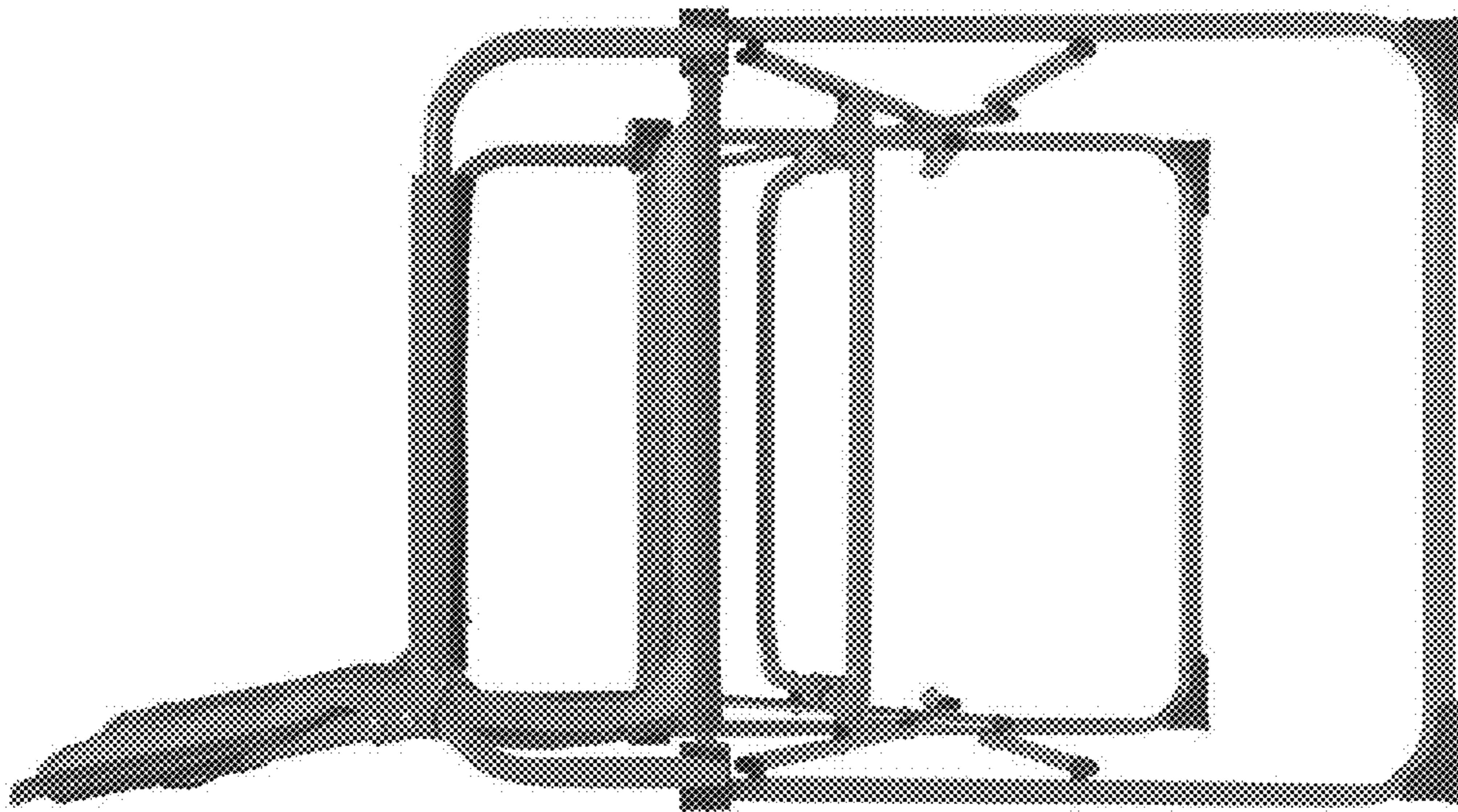


FIG. 4

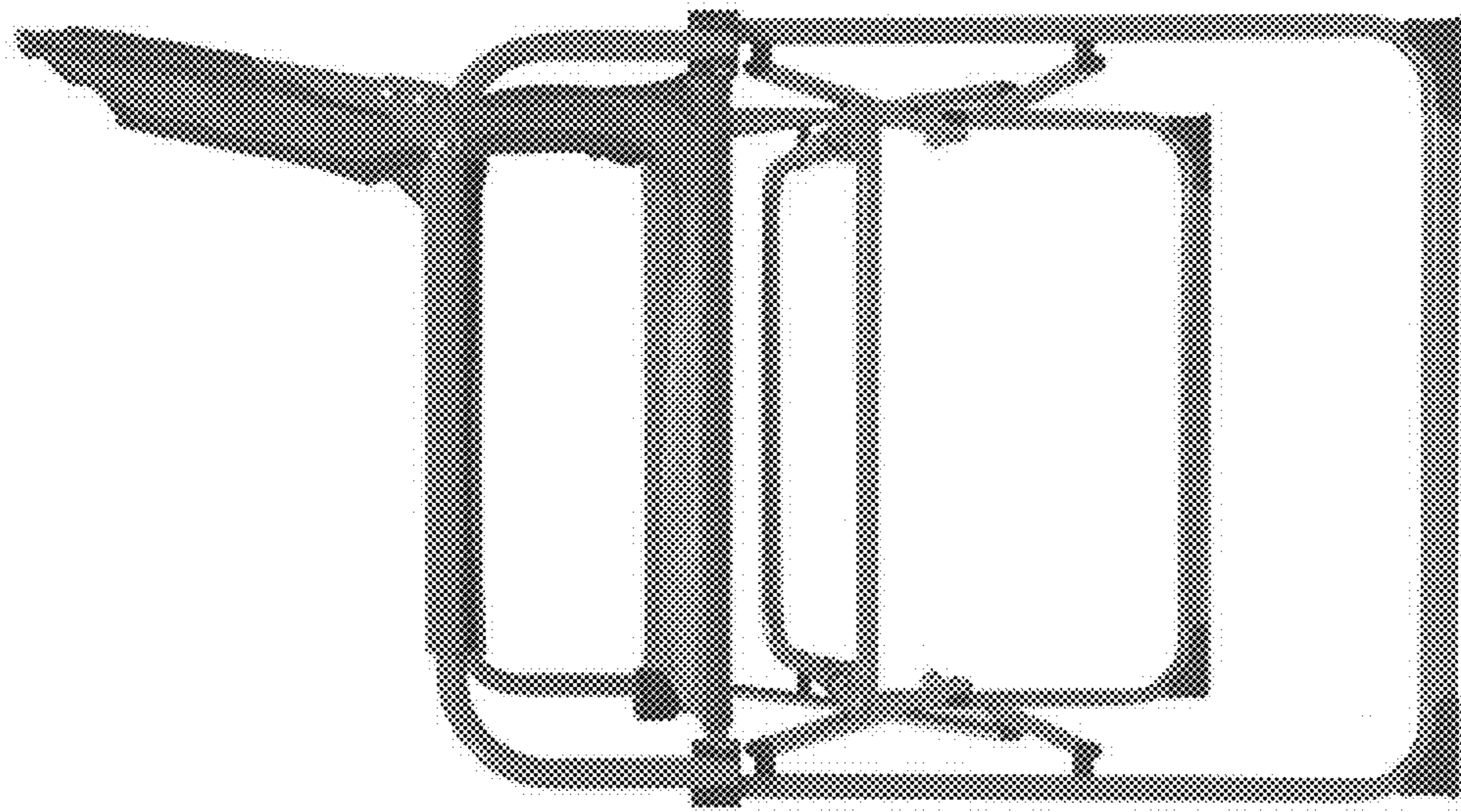


FIG. 5



FIG. 6

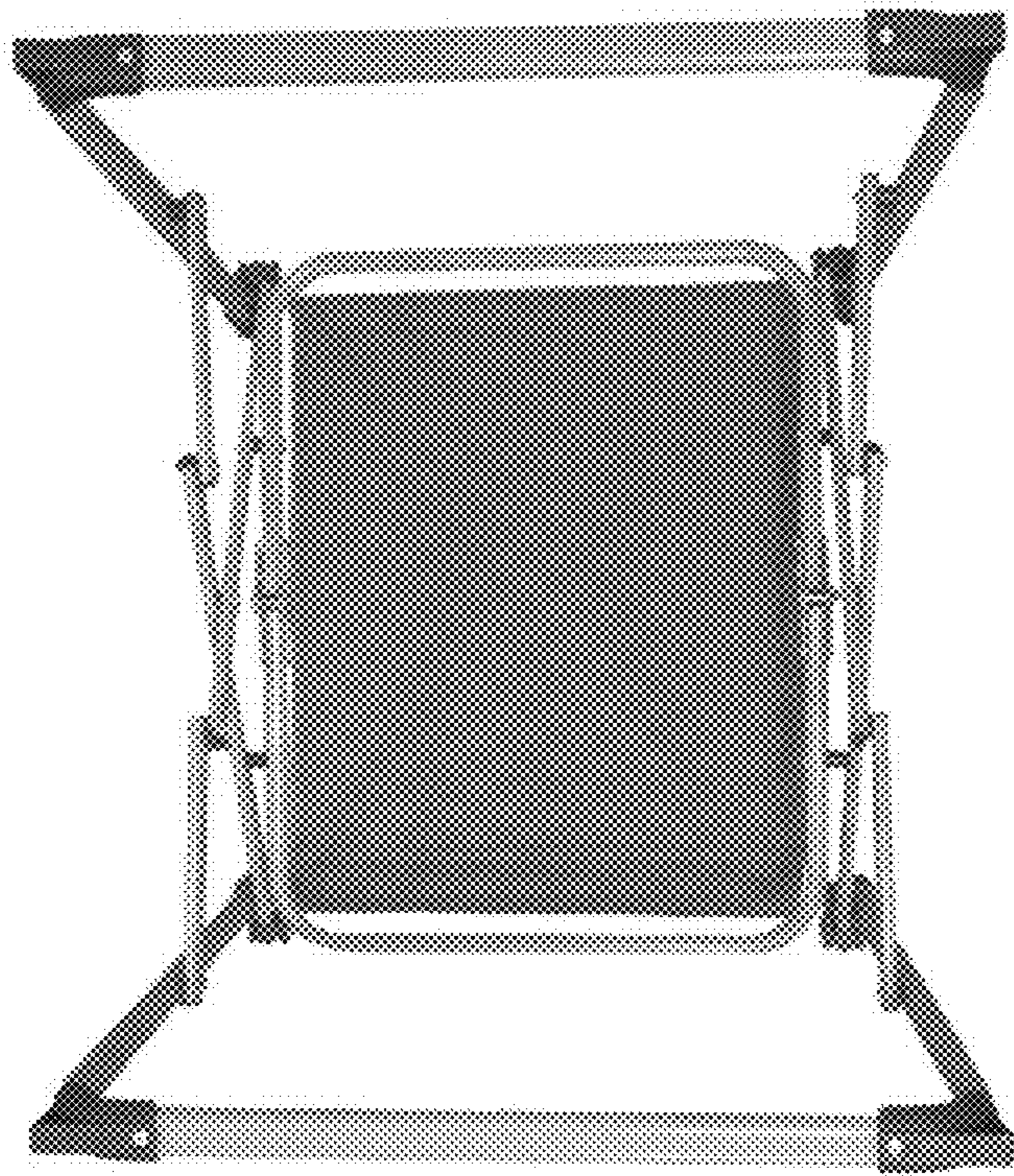


FIG. 7



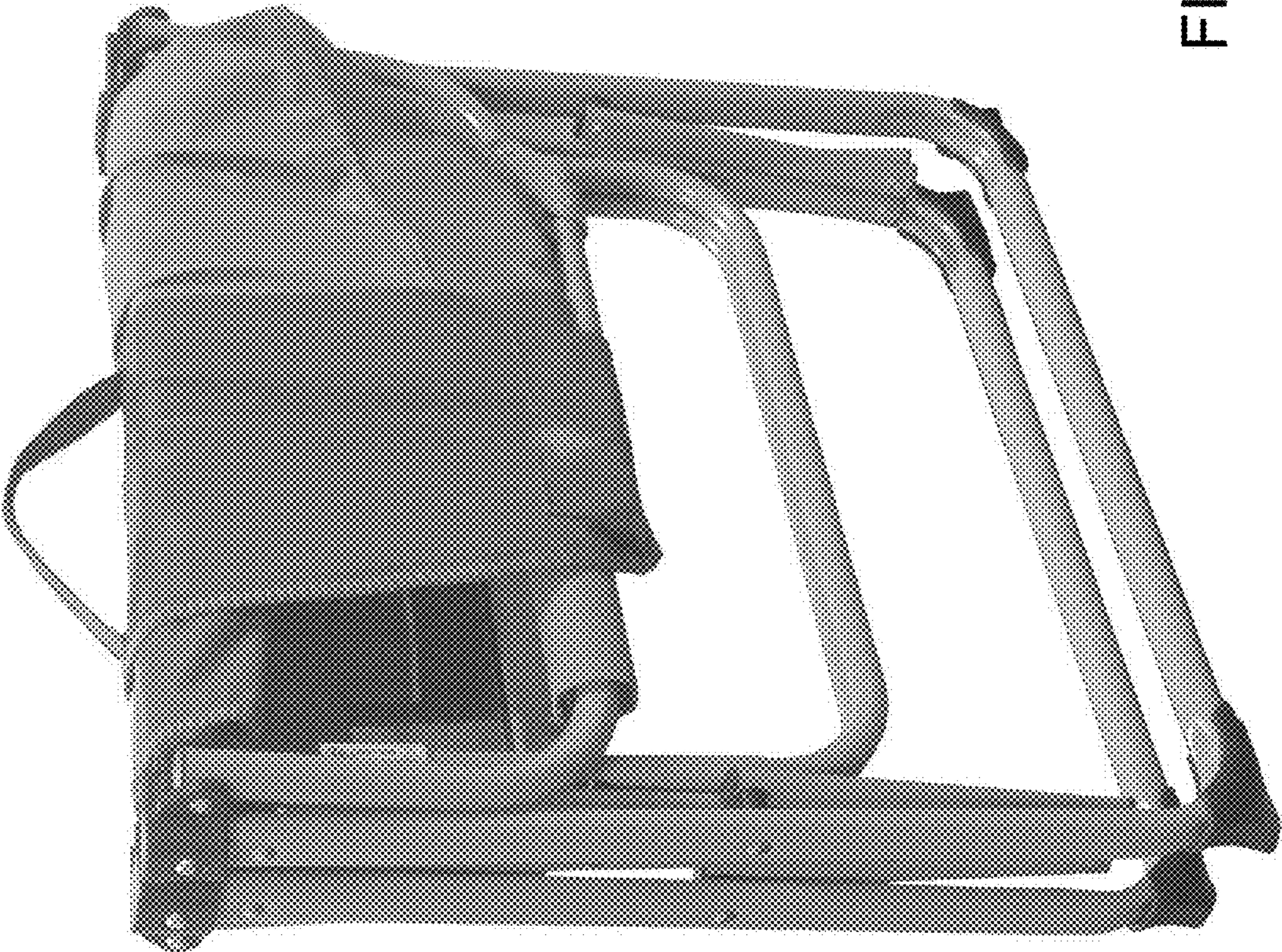


FIG. 8

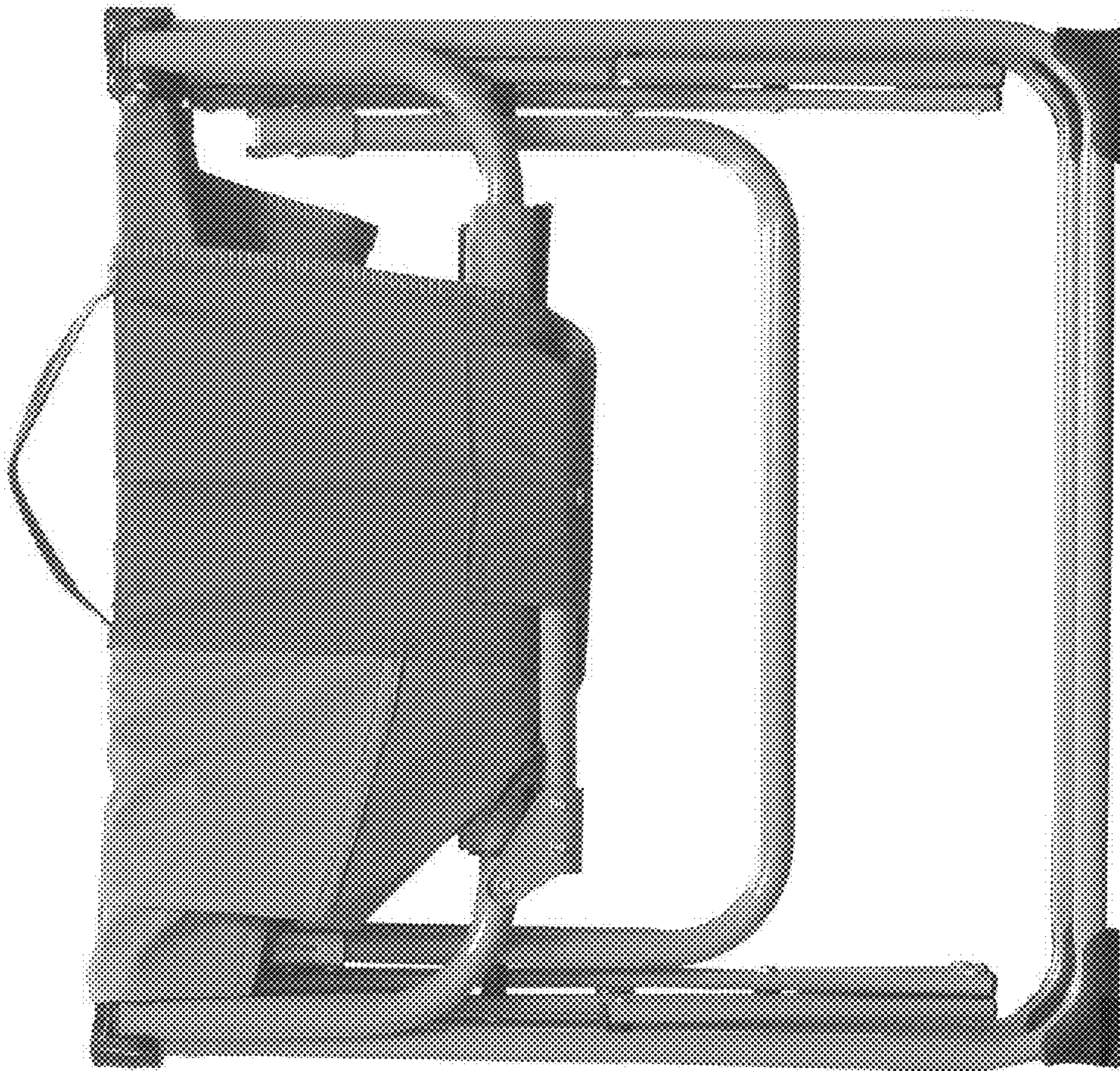


FIG. 9



FIG. 10

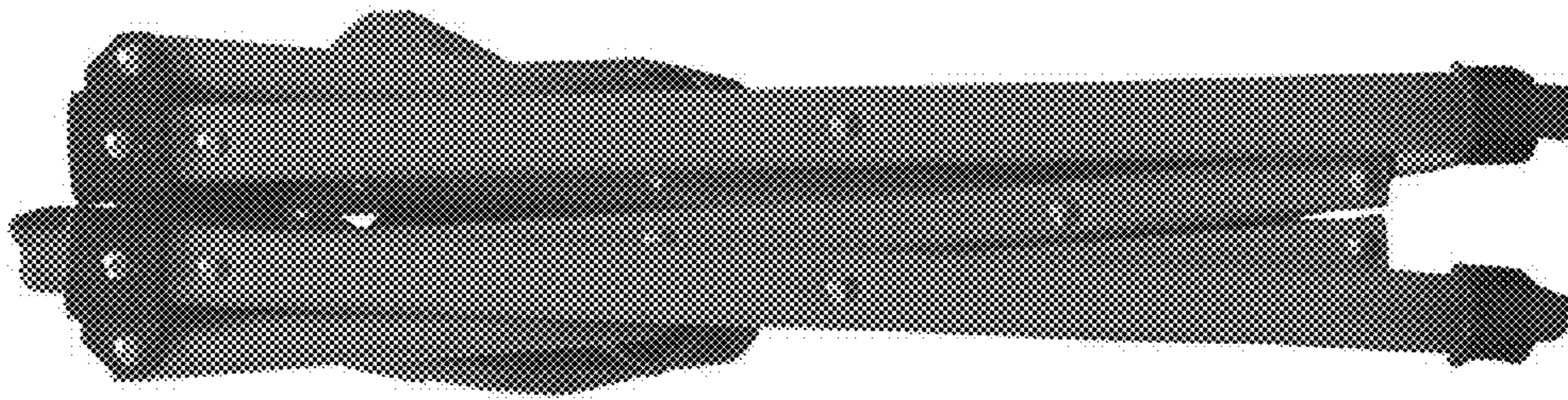


FIG. 11

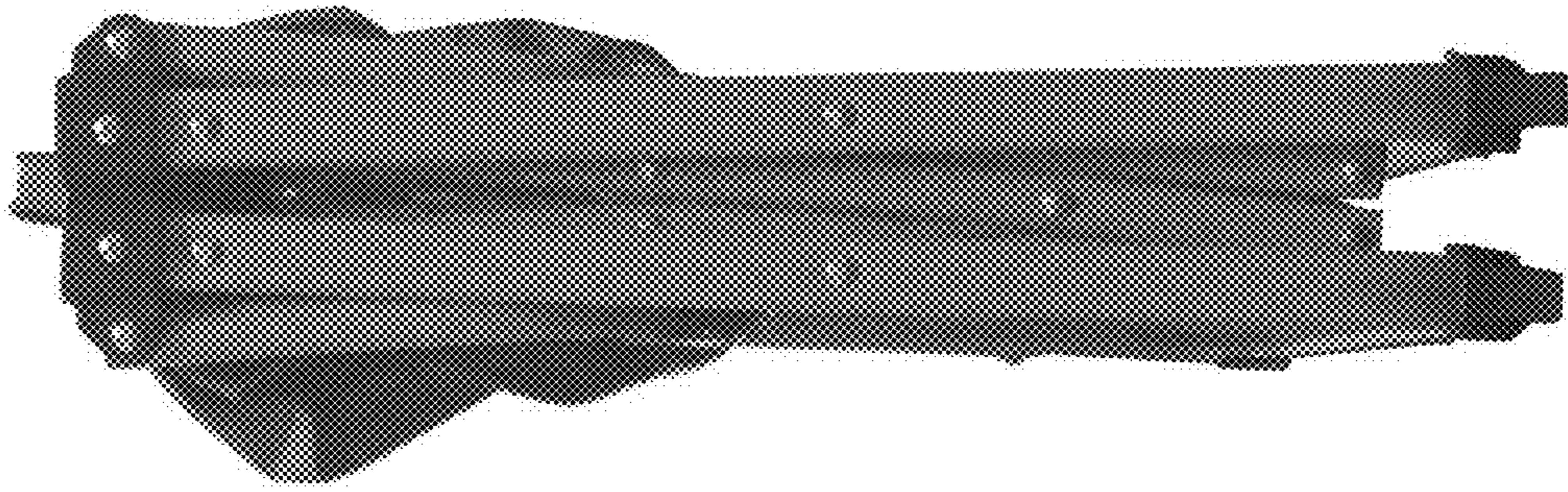


FIG. 12

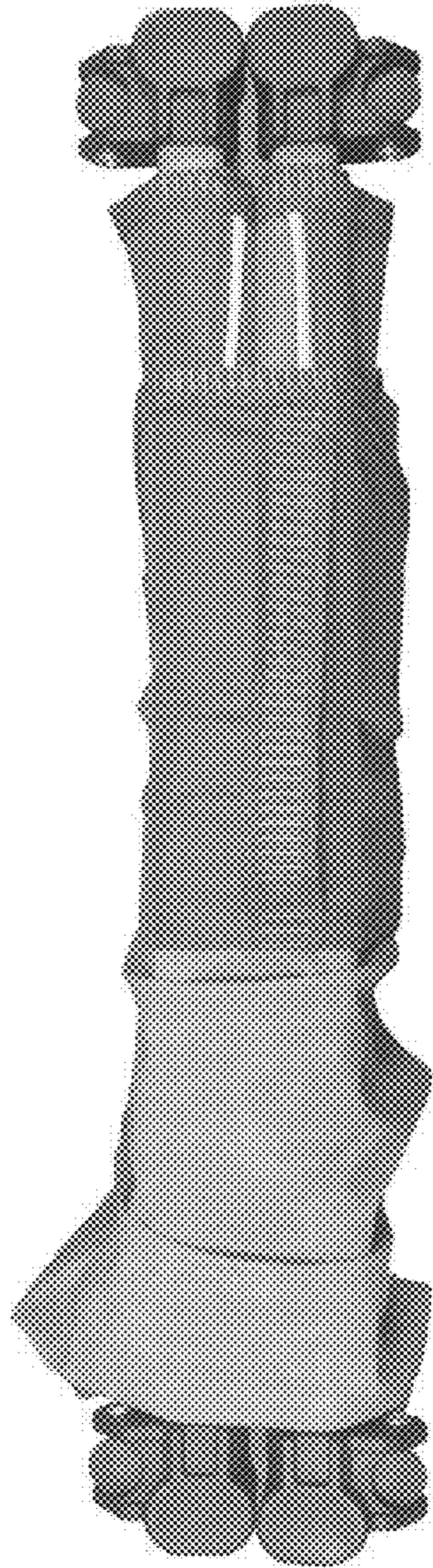


FIG. 13

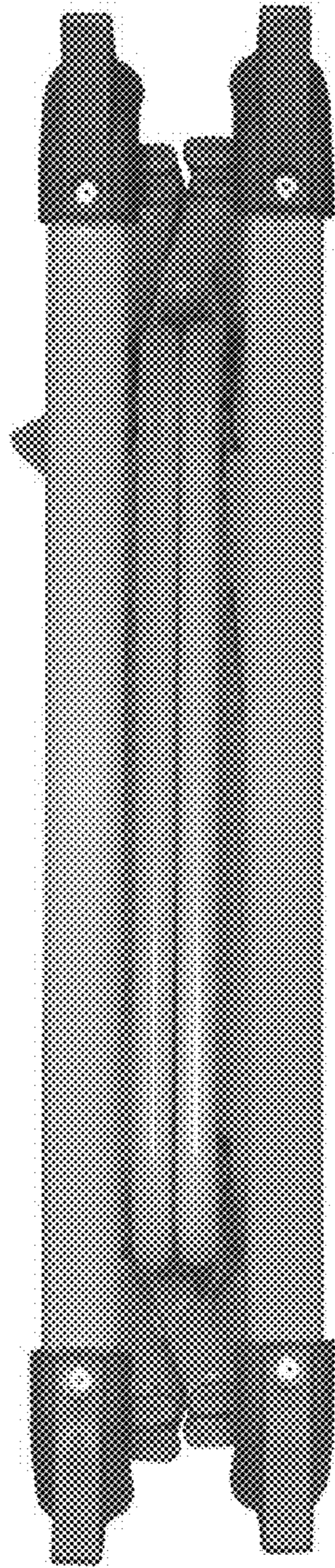


FIG. 14