



US00D849435S

(12) **United States Design Patent**
Reyes

(10) **Patent No.:** **US D849,435 S**

(45) **Date of Patent:** **** May 28, 2019**

(54) **CHAIR**

(71) Applicant: **Delta Enterprise Corp.**, New York, NY (US)

(72) Inventor: **Francisco J. Reyes**, New York, NY (US)

(73) Assignee: **Delta Enterprise Corp.**, New York, NY (US)

(**) Term: **15 Years**

(21) Appl. No.: **29/589,547**

(22) Filed: **Jan. 3, 2017**

(51) **LOC (11) Cl.** **06-01**

(52) **U.S. Cl.**
USPC **D6/368**

(58) **Field of Classification Search**
USPC D6/334-336, 368, 371, 373, 374, 375,
D6/379, 380, 716, 716.1, 716.2, 716.3,
D6/716.4

CPC .. A47C 4/28; A47C 4/283; A47C 4/00; A47C
4/30; A47C 4/38; A47C 7/16; A47C
7/282; A47C 7/40

See application file for complete search history.

(56) **References Cited**

U.S. PATENT DOCUMENTS

2,582,864 A * 1/1952 Gittings A47C 4/30
297/45

3,498,668 A * 3/1970 Vanderminden A47C 4/283
297/45

3,711,151 A * 1/1973 Upton A47C 4/283
297/423.41

4,437,700 A * 3/1984 Elashuk A47C 4/38
297/45

D464,820 S * 10/2002 Kreiss D6/368

D514,834 S * 2/2006 O'Hare D6/368

* cited by examiner

Primary Examiner — Mimoso De

(74) *Attorney, Agent, or Firm* — Richard M. Goldberg

(57) **CLAIM**

The ornamental design for a chair, as shown.

DESCRIPTION

FIG. 1 is a top perspective view of the chair of my design;

FIG. 2 is a bottom perspective view thereof;

FIG. 3 is a top plan view thereof;

FIG. 4 is a bottom plan view thereof;

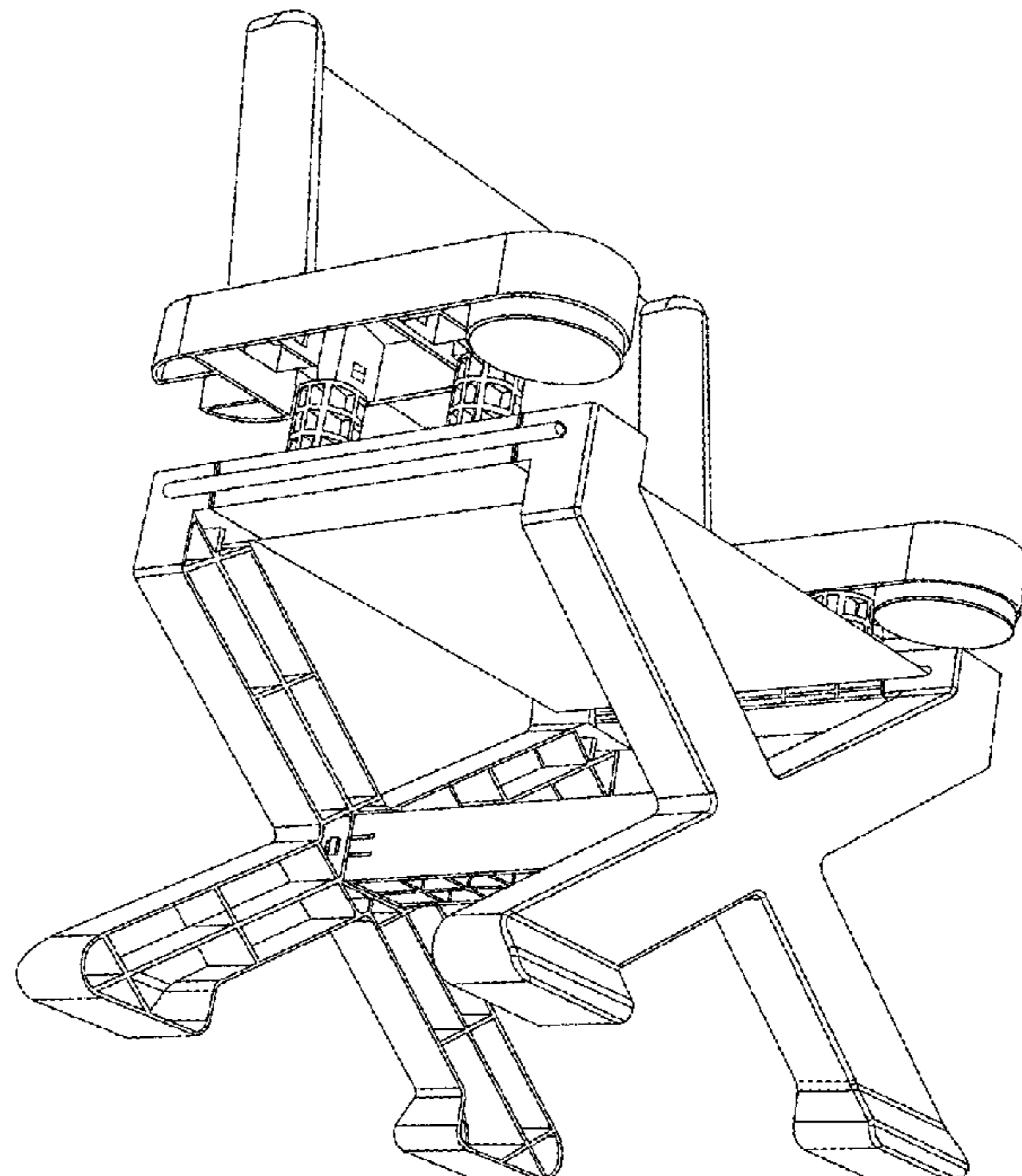
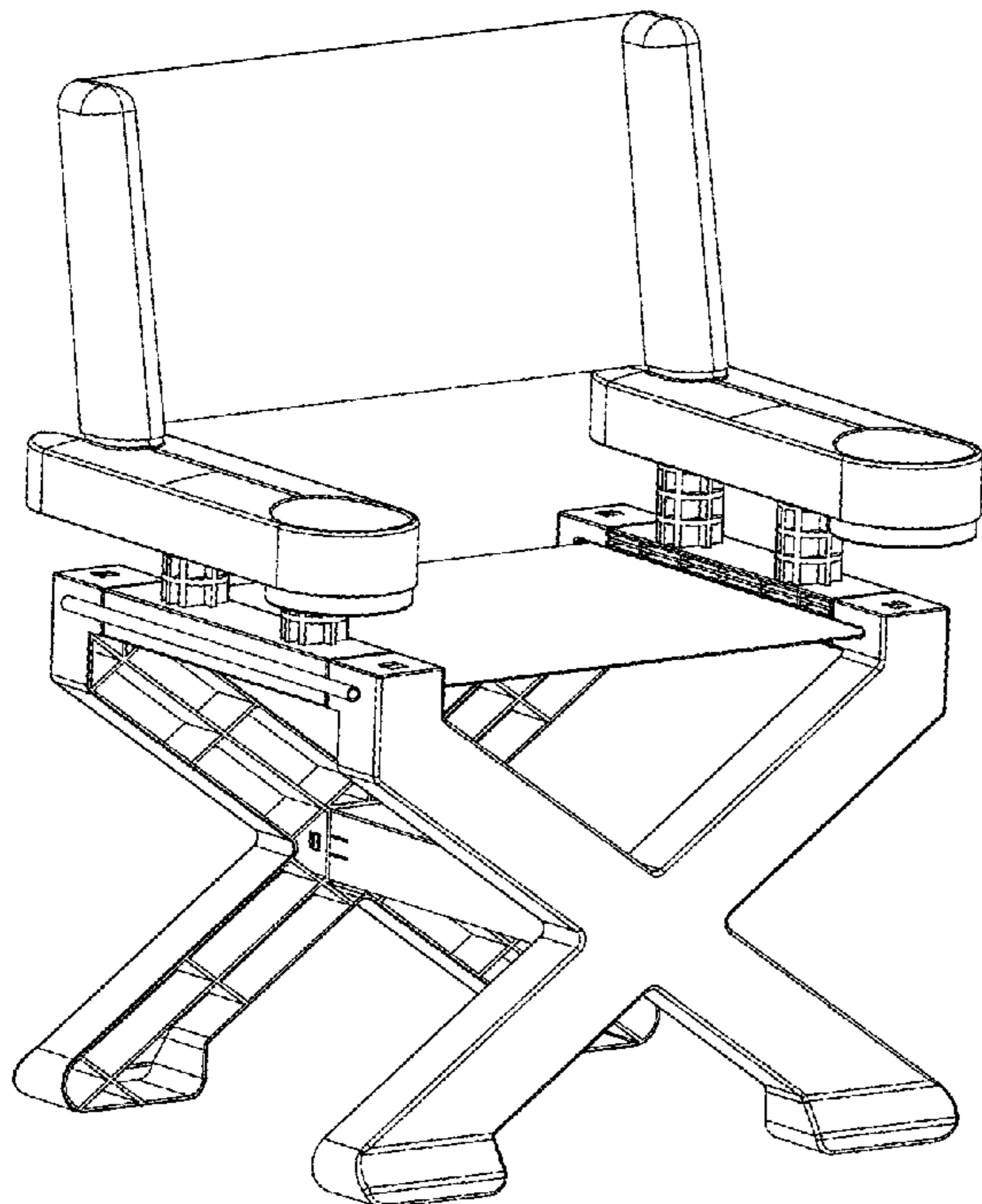
FIG. 5 is a front elevational view thereof;

FIG. 6 is a rear elevational view thereof;

FIG. 7 is a left side elevational view thereof; and,

FIG. 8 is a right side elevational view thereof.

1 Claim, 8 Drawing Sheets



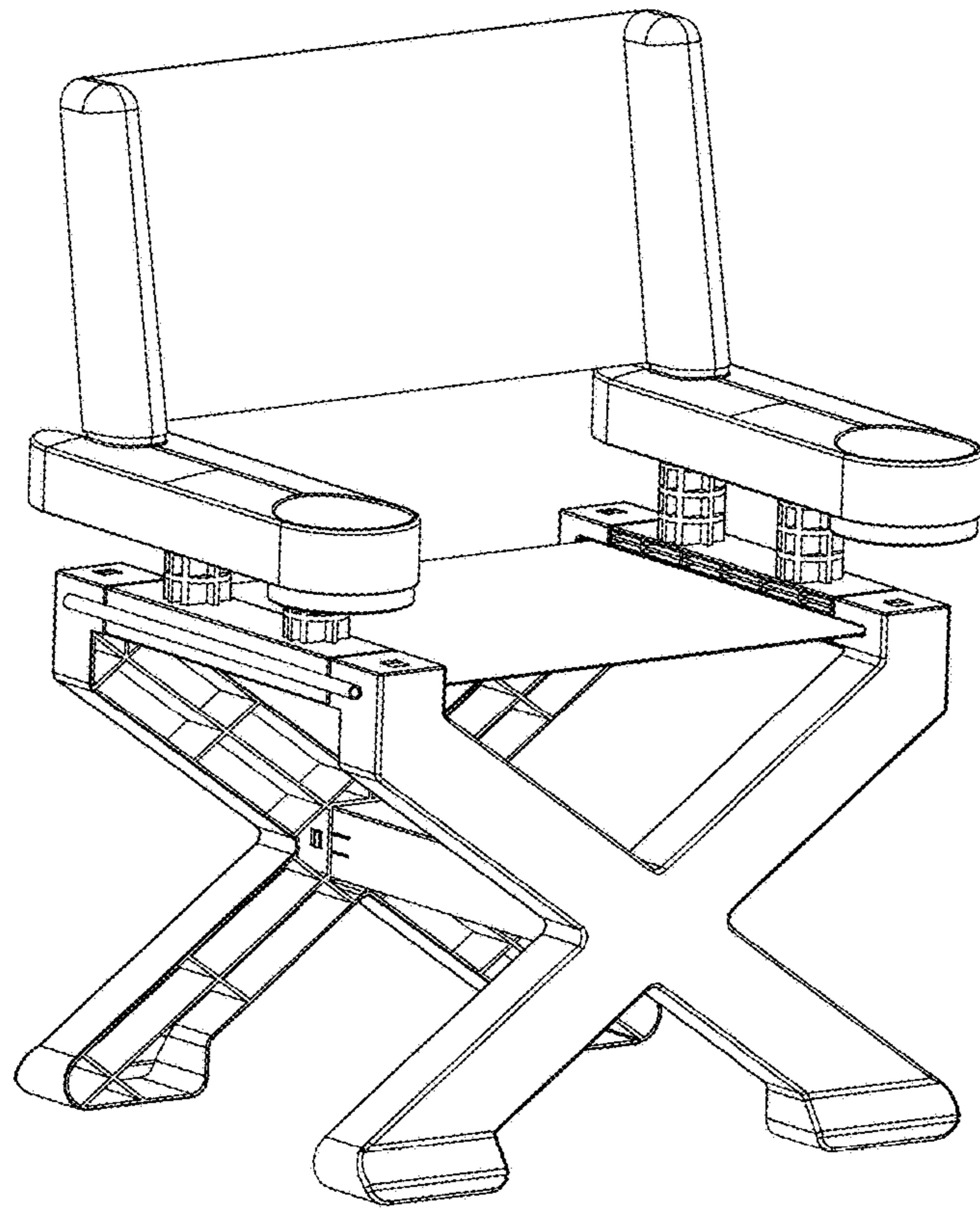


FIG. 1

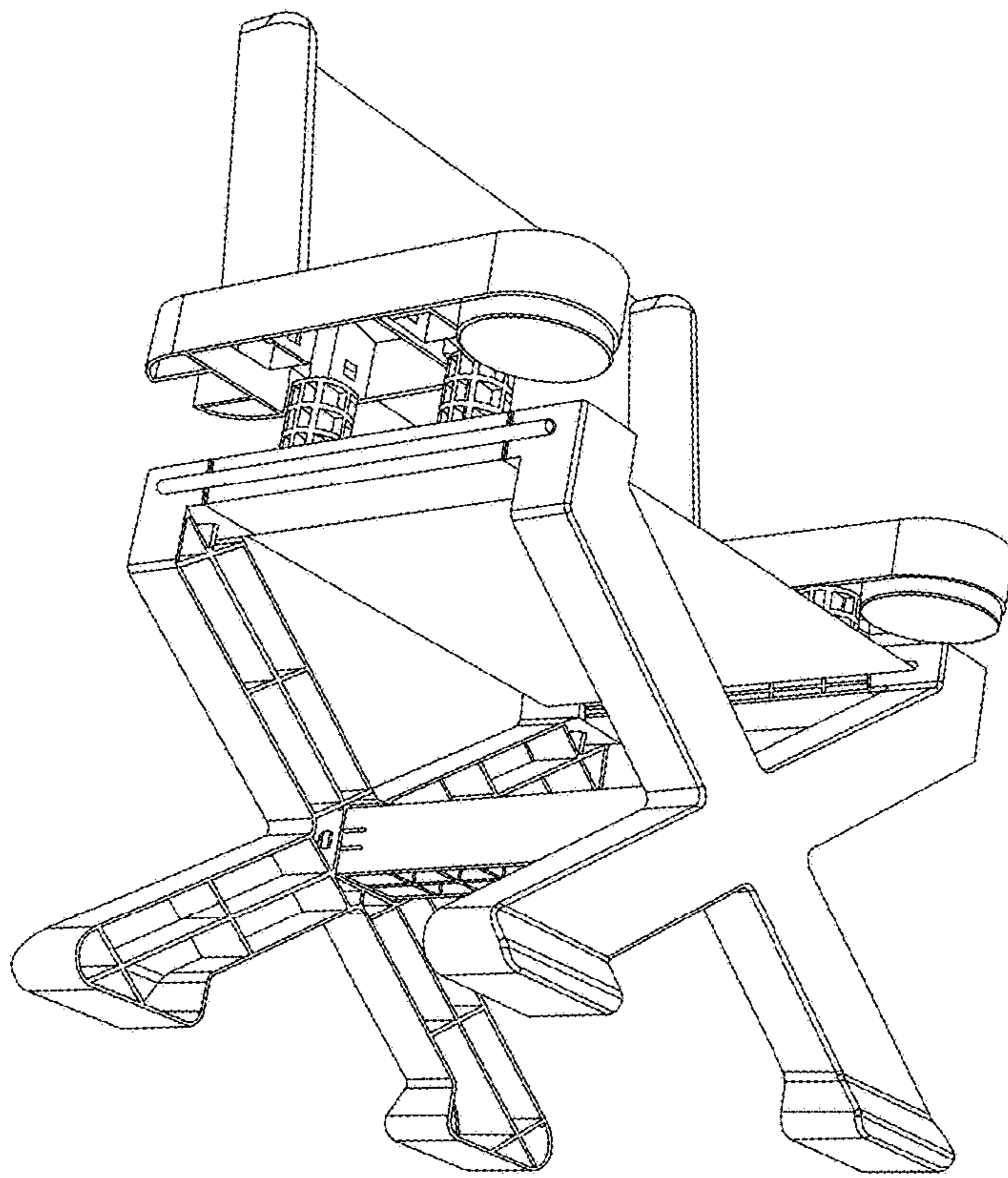


FIG. 2

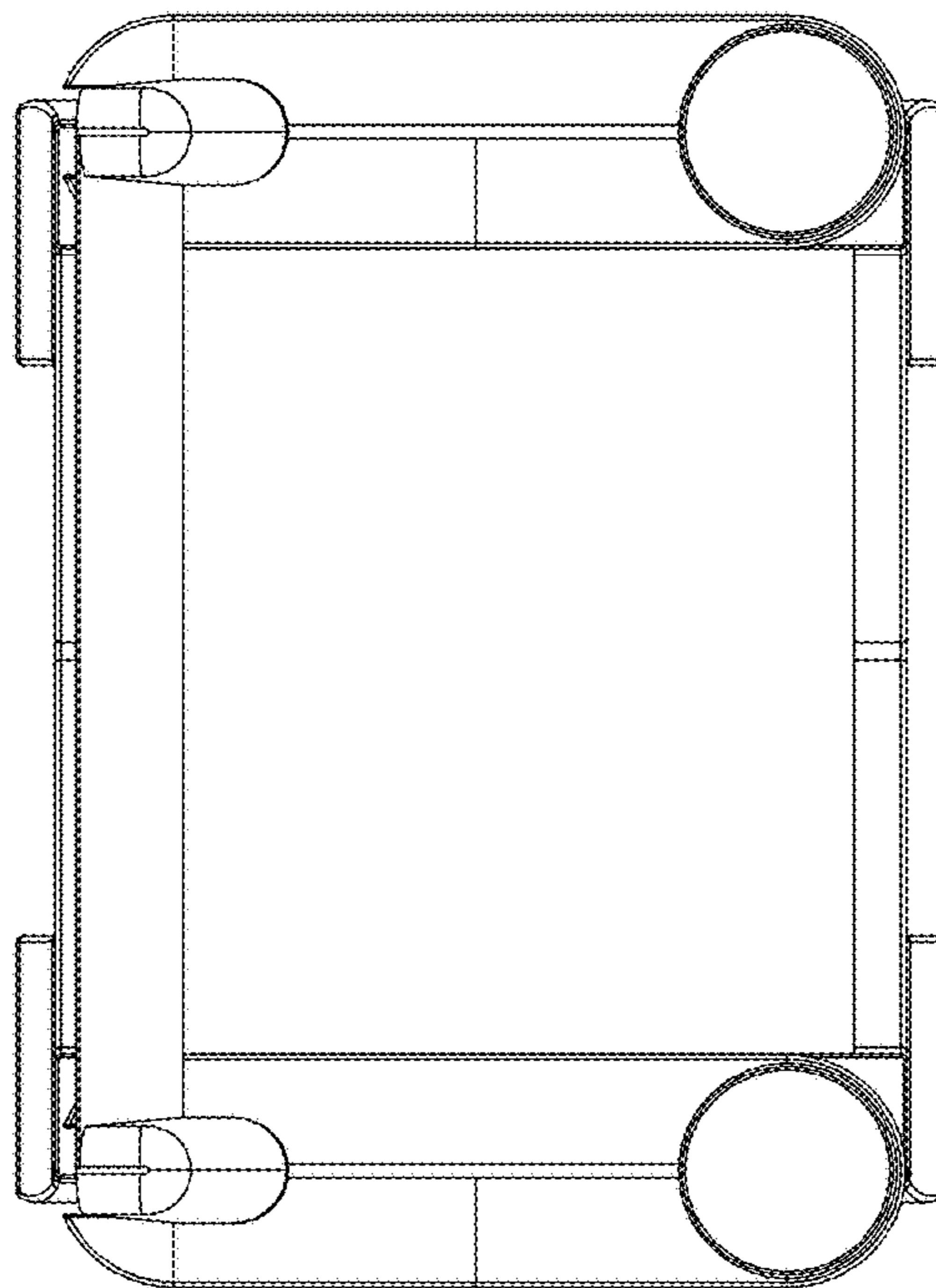


FIG. 3

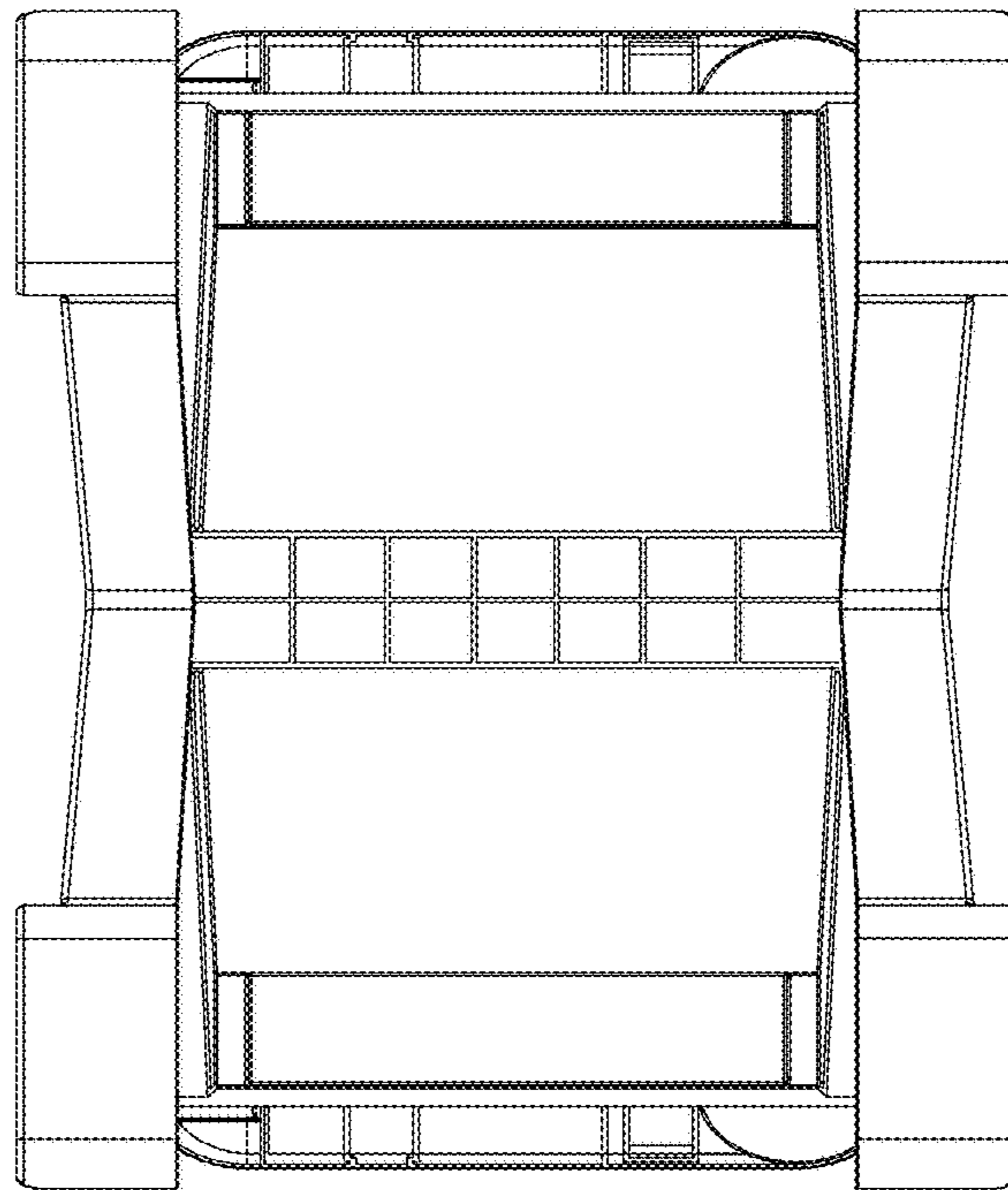


FIG. 4

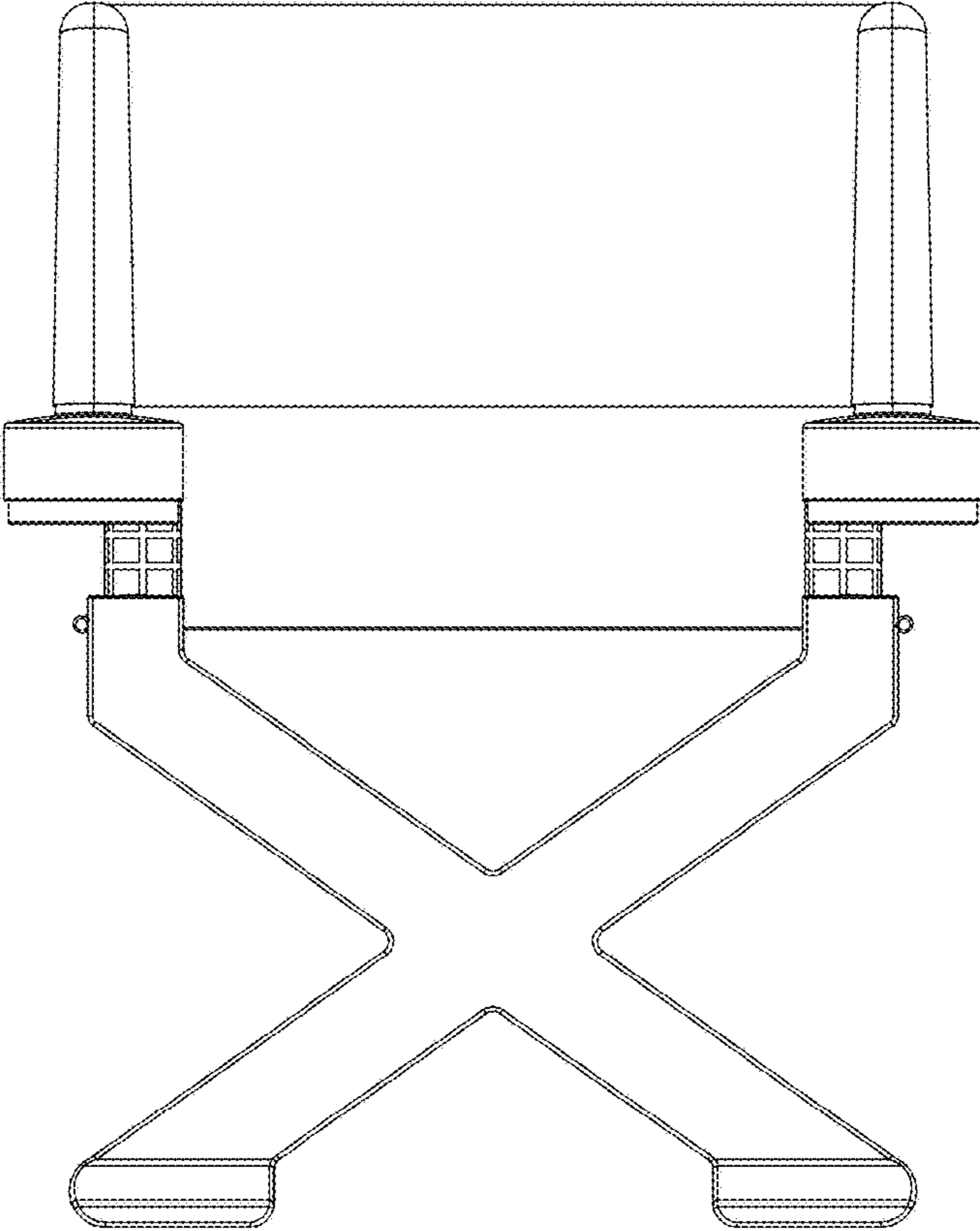


FIG. 5

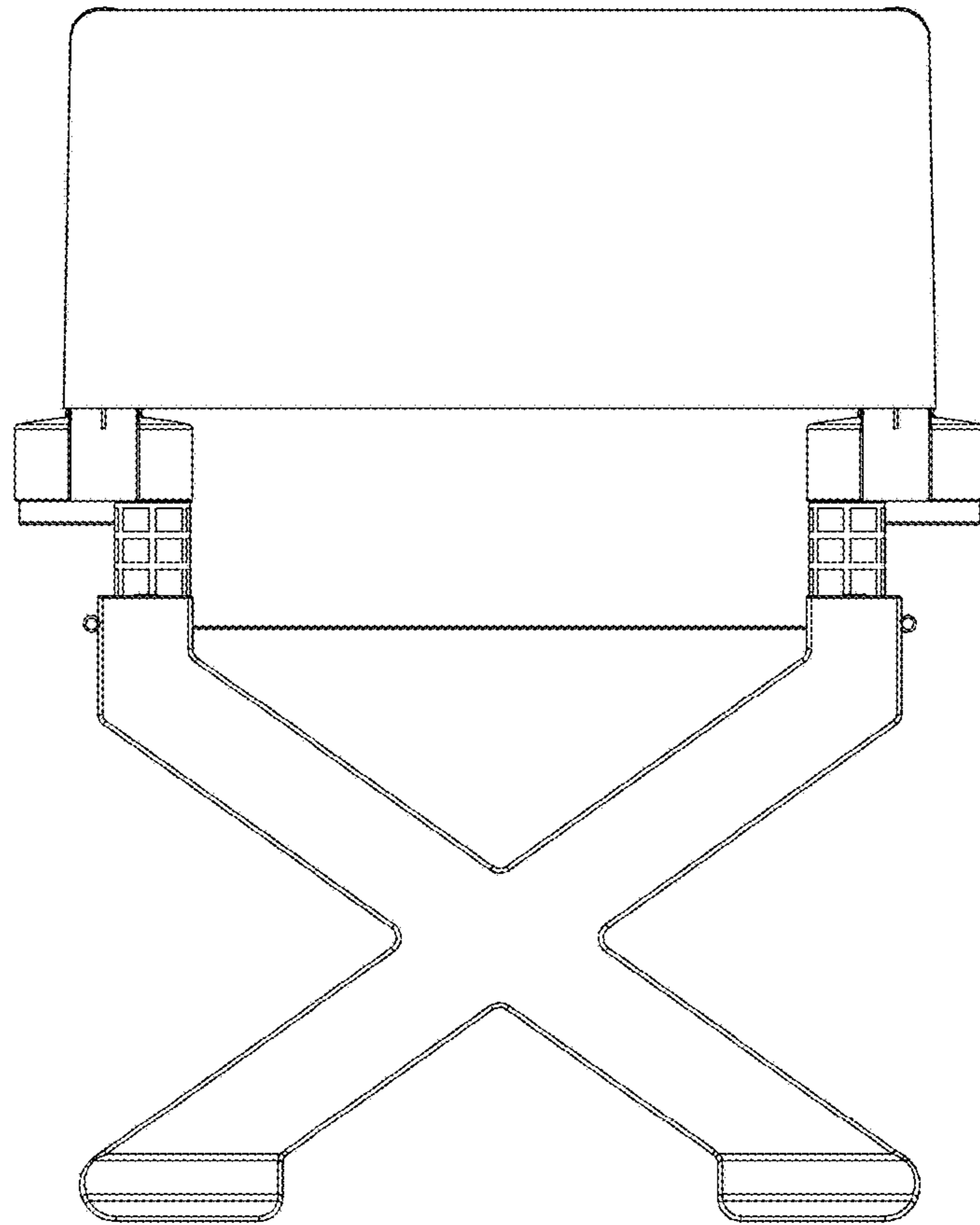


FIG. 6

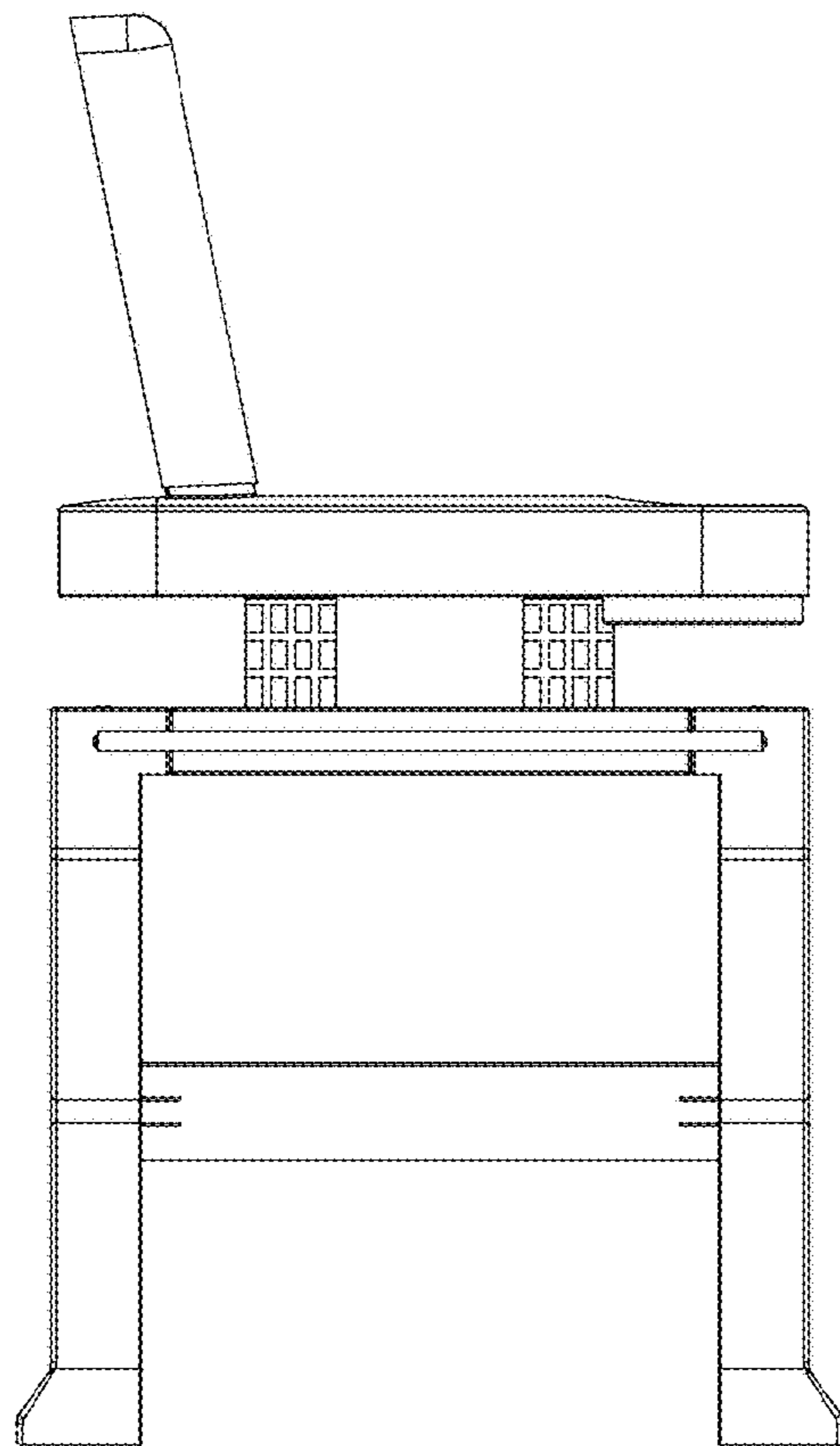


FIG. 7

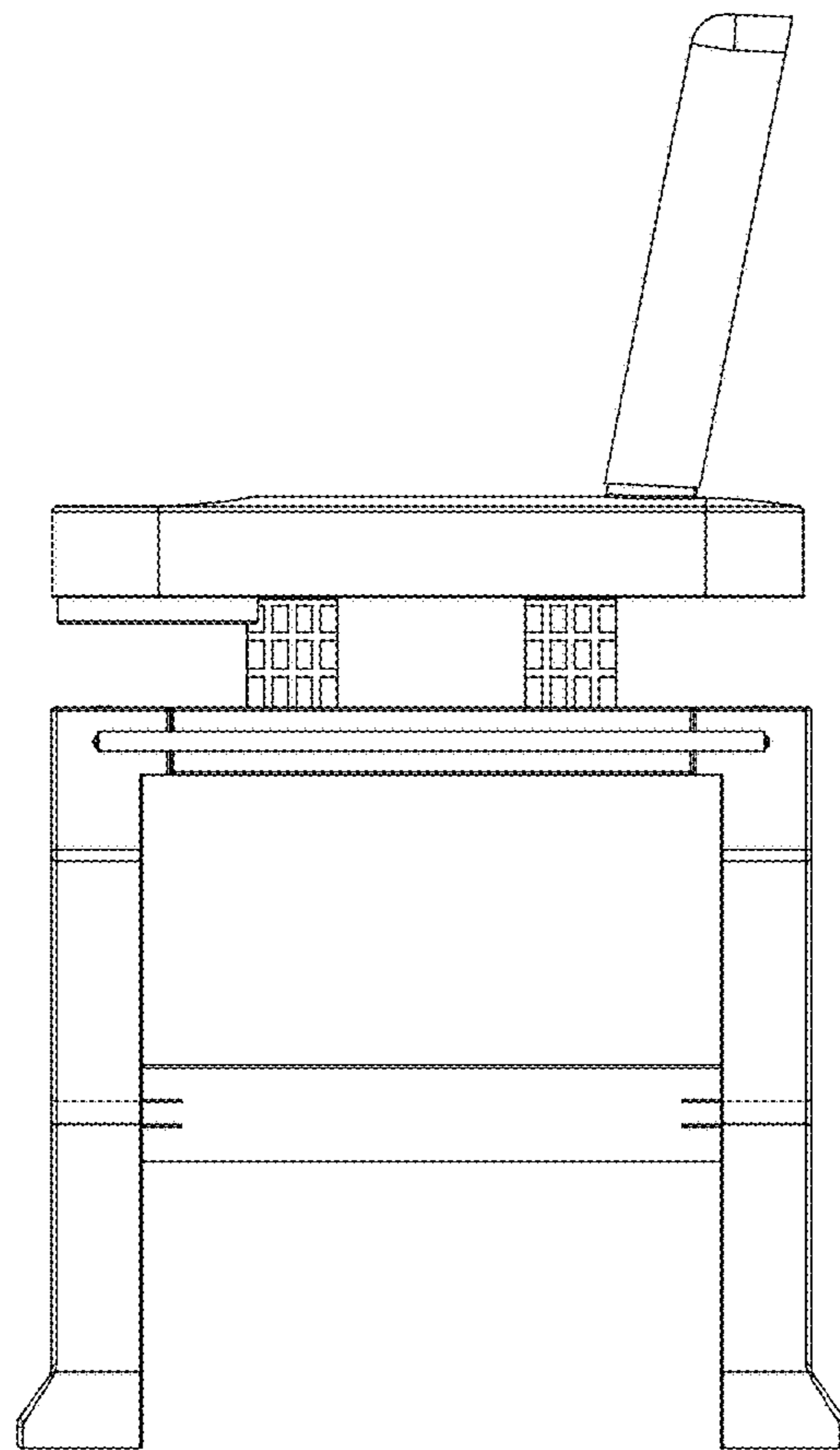


FIG. 8