

US00D849432S

(12) **United States Design Patent** (10) **Patent No.:** **US D849,432 S**
Perry et al. (45) **Date of Patent:** **** May 28, 2019**

- (54) **VEHICLE BENCH SEAT**
- (71) Applicant: **Jaguar Land Rover Limited**, Whitley, Coventry (GB)
- (72) Inventors: **Lee Perry**, Coventry (GB); **Mary Crisp**, Coventry (GB)
- (73) Assignee: **Jaguar Land Rover Limited**, Whitley, Coventry (GB)
- (**) Term: **15 Years**
- (21) Appl. No.: **29/670,700**
- (22) Filed: **Nov. 19, 2018**

Related U.S. Application Data

- (62) Division of application No. 29/591,273, filed on Jan. 18, 2017, now Pat. No. Des. 837,547.

(30) **Foreign Application Priority Data**

- Aug. 18, 2016 (EM) 003345321-0004
- Aug. 18, 2016 (EM) 003345321-0005
- Aug. 18, 2016 (EM) 003345321-0006

- (51) **LOC (11) Cl.** **06-01**
- (52) **U.S. Cl.**
USPC **D6/356**

(58) **Field of Classification Search**

USPC D6/356, 335-338, 357, 360, 367, 716.4, D6/716.1, 349; D12/400, 345, 190, 195
 CPC . B60N 2/00; B60N 2/01; B60N 2/012; B60N 2/02; B60N 2/0292; B60N 2/24; B60N 2/32; B60N 2/34; B60N 2/38; B60N 2/42
 See application file for complete search history.

(56) **References Cited**

U.S. PATENT DOCUMENTS

- 5,286,084 A * 2/1994 Bart B60N 2/3084
297/188.04
- 5,772,283 A * 6/1998 Yoshida B60N 2/0292
297/452.38
- 6,609,745 B2 * 8/2003 Miyahara B60N 2/01
296/65.03
- D480,571 S * 10/2003 Yu D6/356

(Continued)

Primary Examiner — Deanna L Pratt
 (74) *Attorney, Agent, or Firm* — Wood Herron & Evans LLP

(57) **CLAIM**

The ornamental design for a vehicle bench seat, as shown and described.

DESCRIPTION

FIG. 1 is a front left perspective view of a bench seat for a vehicle according to the present invention.

FIG. 2 is a front right perspective view of the bench seat shown in FIG. 1.

FIG. 3 is a rear left perspective view thereof.

FIG. 4 is a rear right perspective view thereof.

FIG. 5 is a front view thereof.

FIG. 6 is a rear view thereof.

FIG. 7 is a left side view thereof.

FIG. 8 is a right side view thereof.

FIG. 9 is a top view thereof.

FIG. 10 is a front left perspective view of a bench seat for a vehicle according to a second embodiment of the present invention.

FIG. 11 is a front right perspective view of the bench seat show in FIG. 10.

FIG. 12 is a rear left perspective view thereof.

FIG. 13 is a rear right perspective view thereof.

FIG. 14 is a front view thereof.

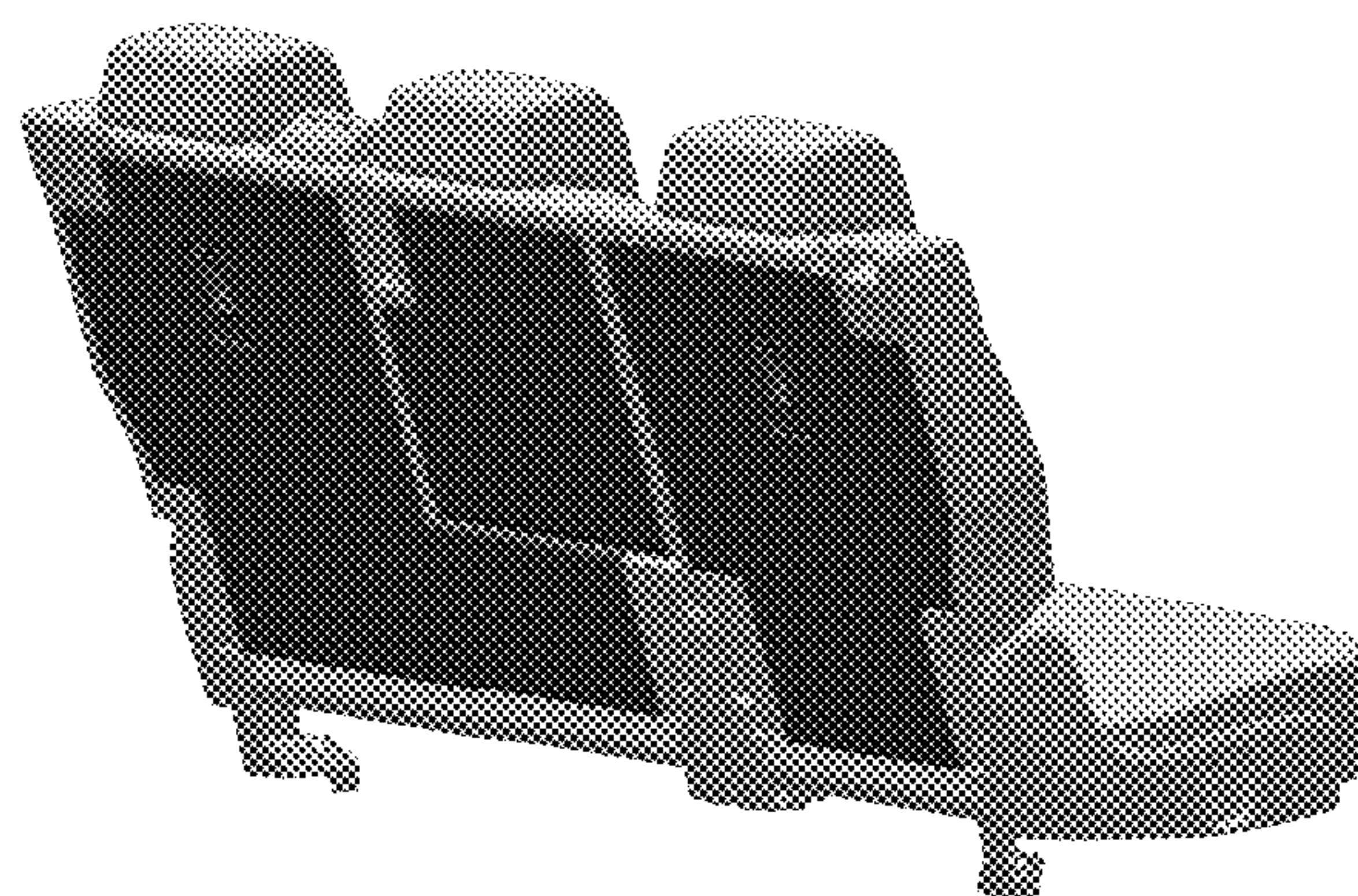
FIG. 15 is a rear view thereof.

FIG. 16 is a left side view thereof.

FIG. 17 is a right side view thereof; and,

FIG. 18 is a top view thereof.

1 Claim, 18 Drawing Sheets



(56)

References Cited

U.S. PATENT DOCUMENTS

D590,612 S * 4/2009 Zhang D6/356
D639,575 S * 6/2011 Freeman D6/356
7,988,229 B2 * 8/2011 Dill B60N 2/01
297/232
8,042,855 B2 * 10/2011 Blatseas B60N 2/01583
296/65.11
8,434,828 B2 * 5/2013 Arata B60N 2/289
297/353
8,678,496 B2 * 3/2014 Zorine B60N 2/3013
297/248
8,678,497 B2 * 3/2014 Kyogoku B60N 2/206
297/232
9,039,096 B2 * 5/2015 Nakanishi B60R 22/18
297/481
9,352,676 B1 * 5/2016 Wright B60N 2/58
D774,319 S * 12/2016 Ingenlath D6/356
D778,080 S * 2/2017 Ahn D6/356
9,616,787 B2 * 4/2017 Siqueira B60N 2/757
D804,207 S * 12/2017 Blomme D6/356
9,919,620 B2 * 3/2018 Supernavage B60N 2/065
2011/0074185 A1 * 3/2011 Nakaya B60N 2/4228
297/61
2016/0318422 A1 * 11/2016 Thomas B60N 2/3011

* cited by examiner

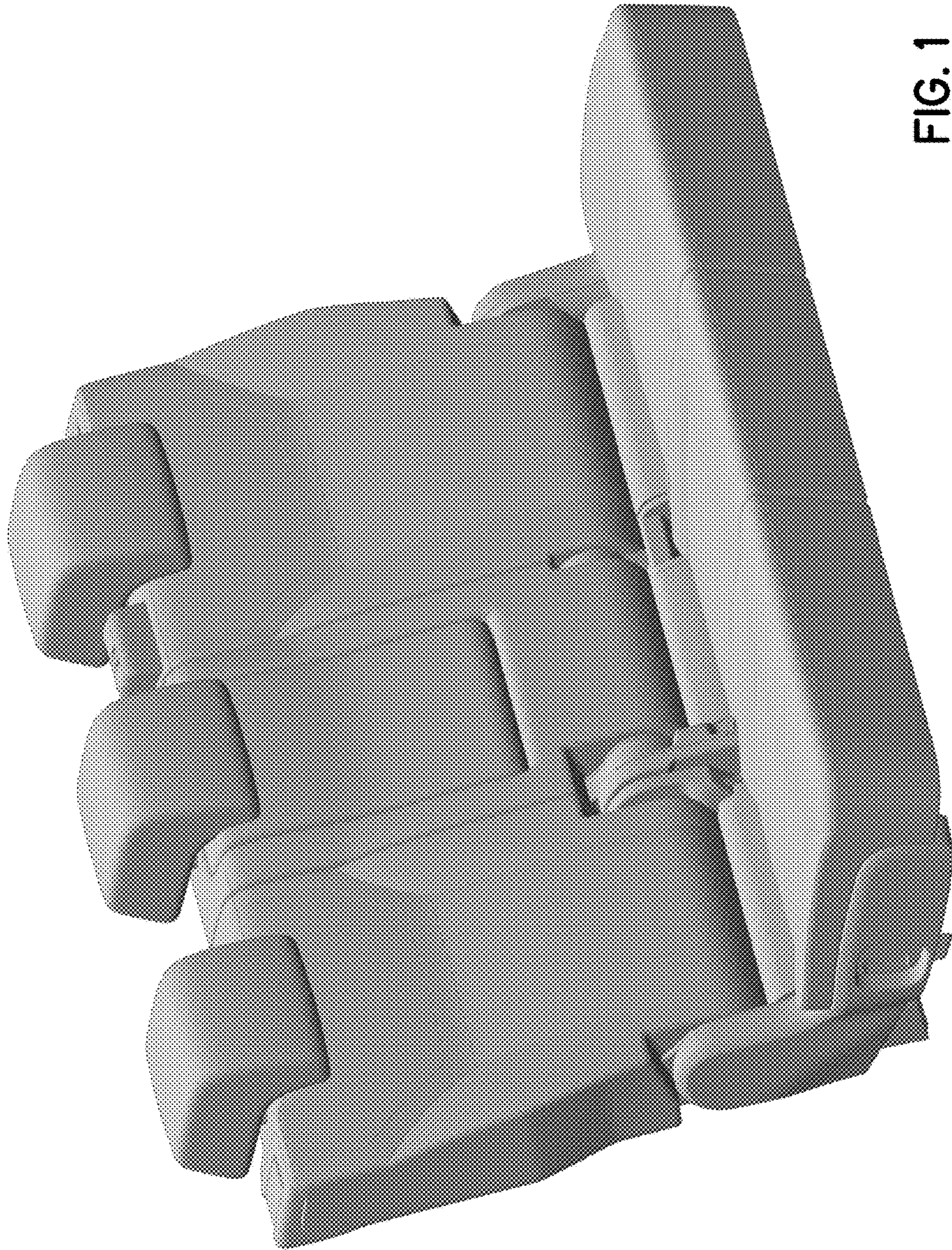


FIG. 1



FIG. 2

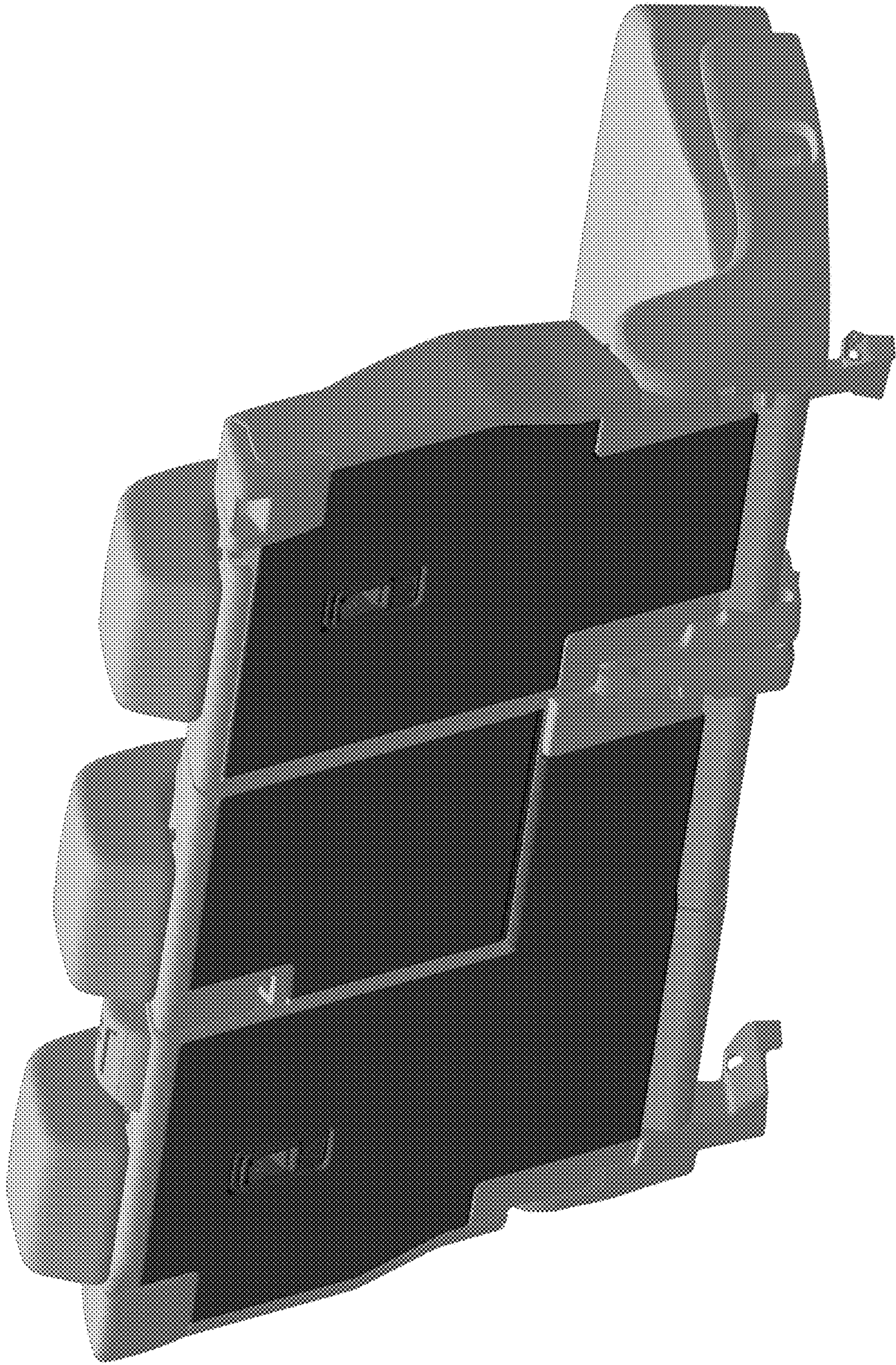


FIG. 3

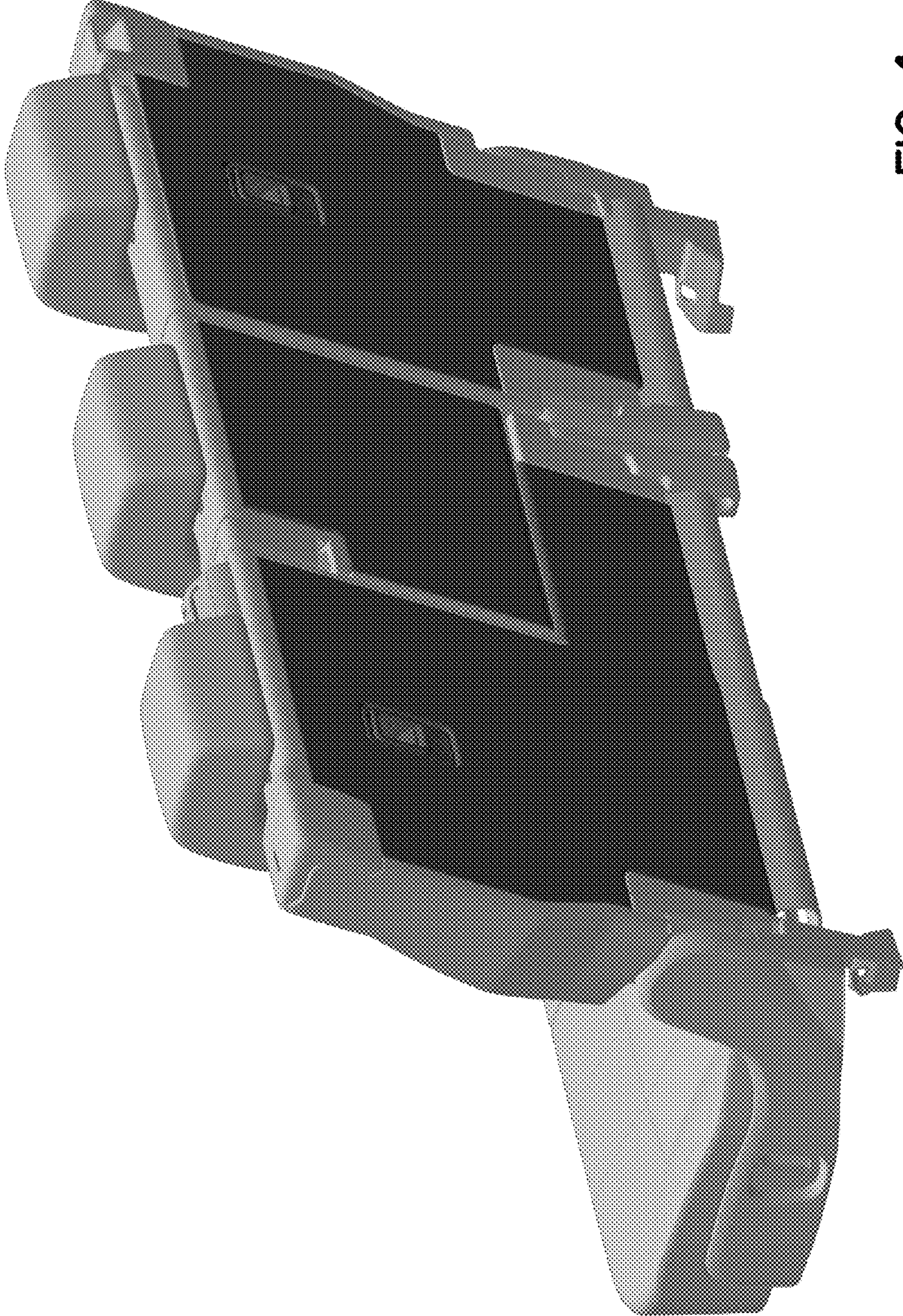


FIG. 4

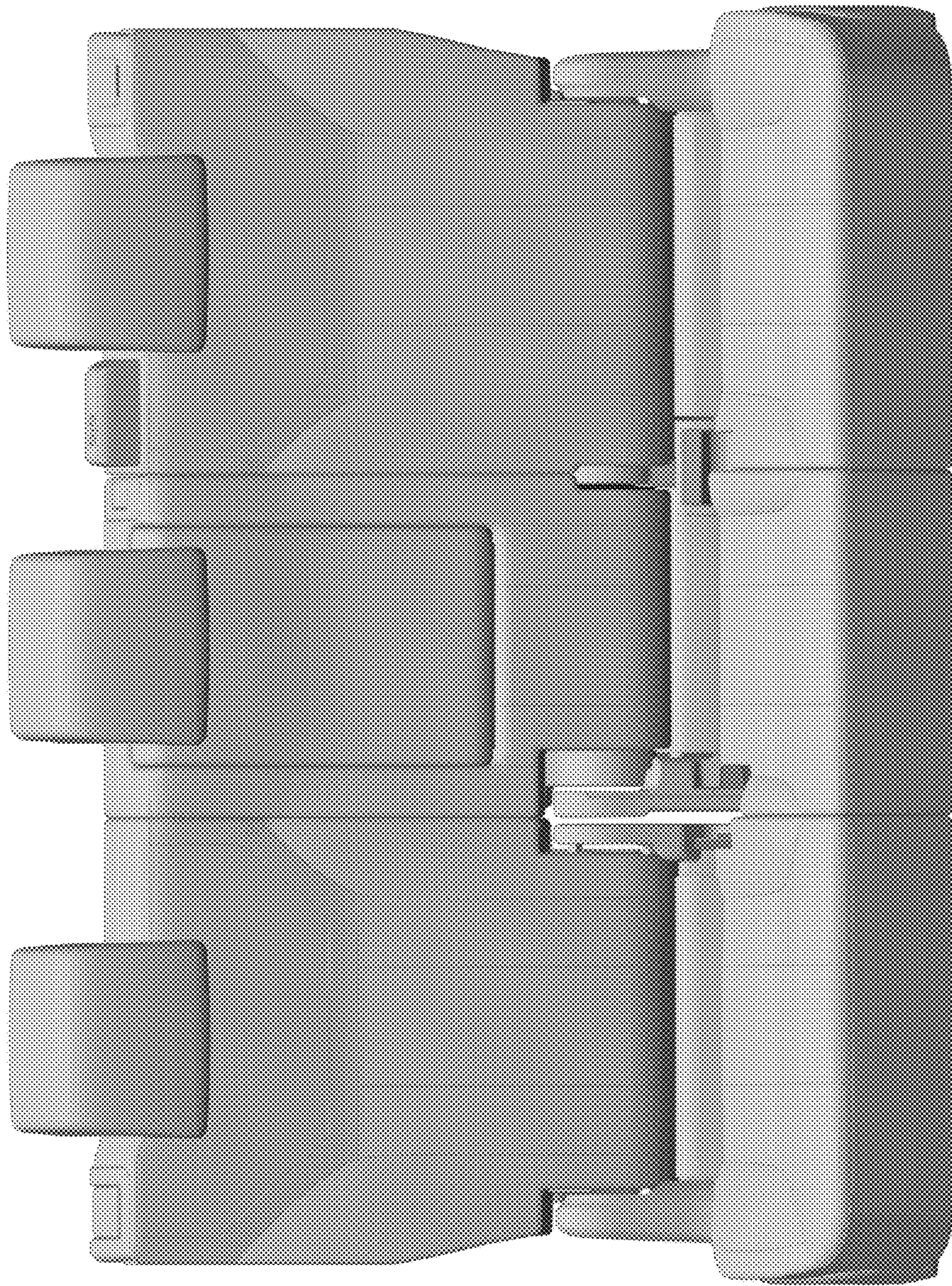


FIG. 5

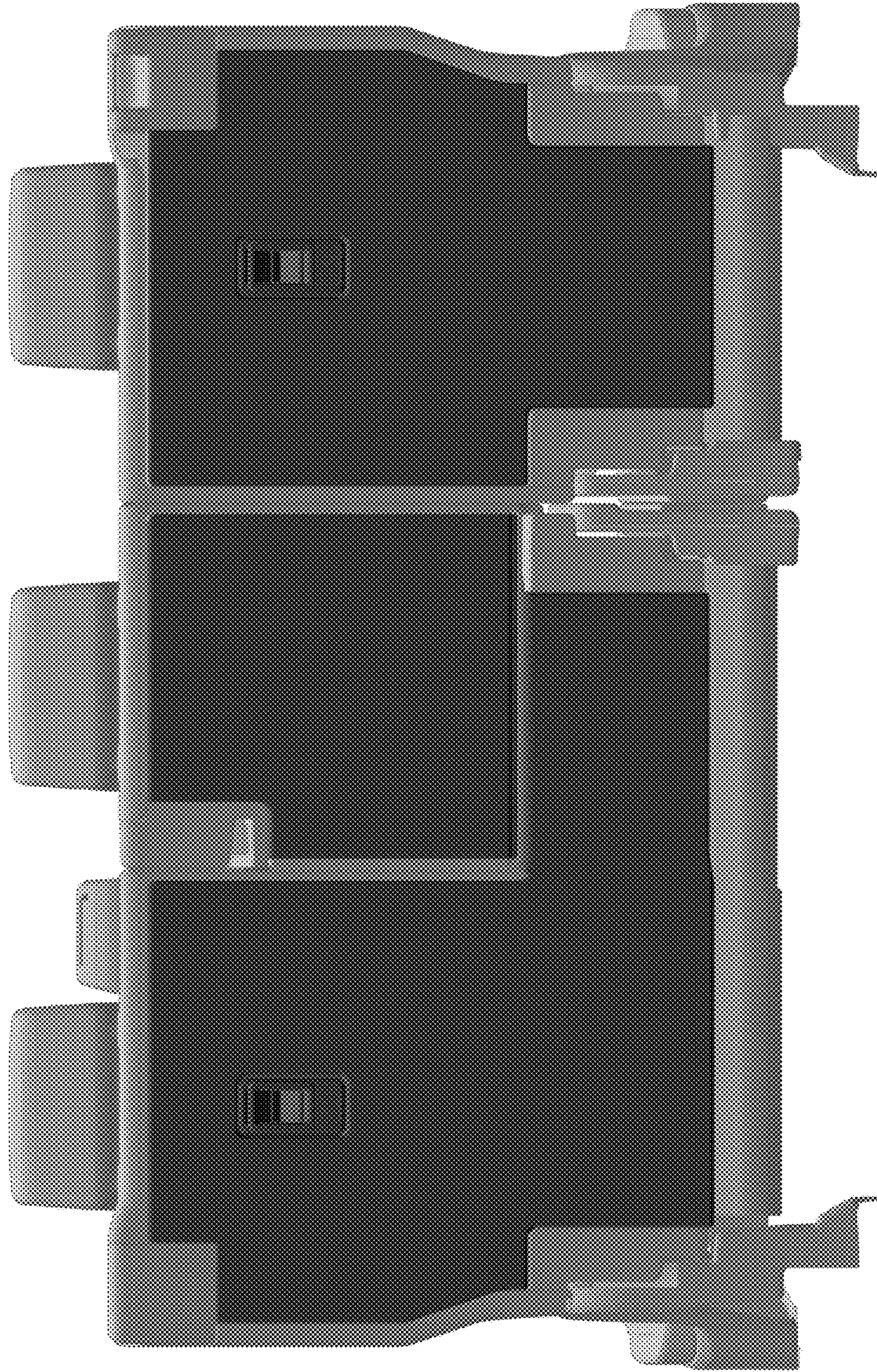


FIG. 6



FIG. 7

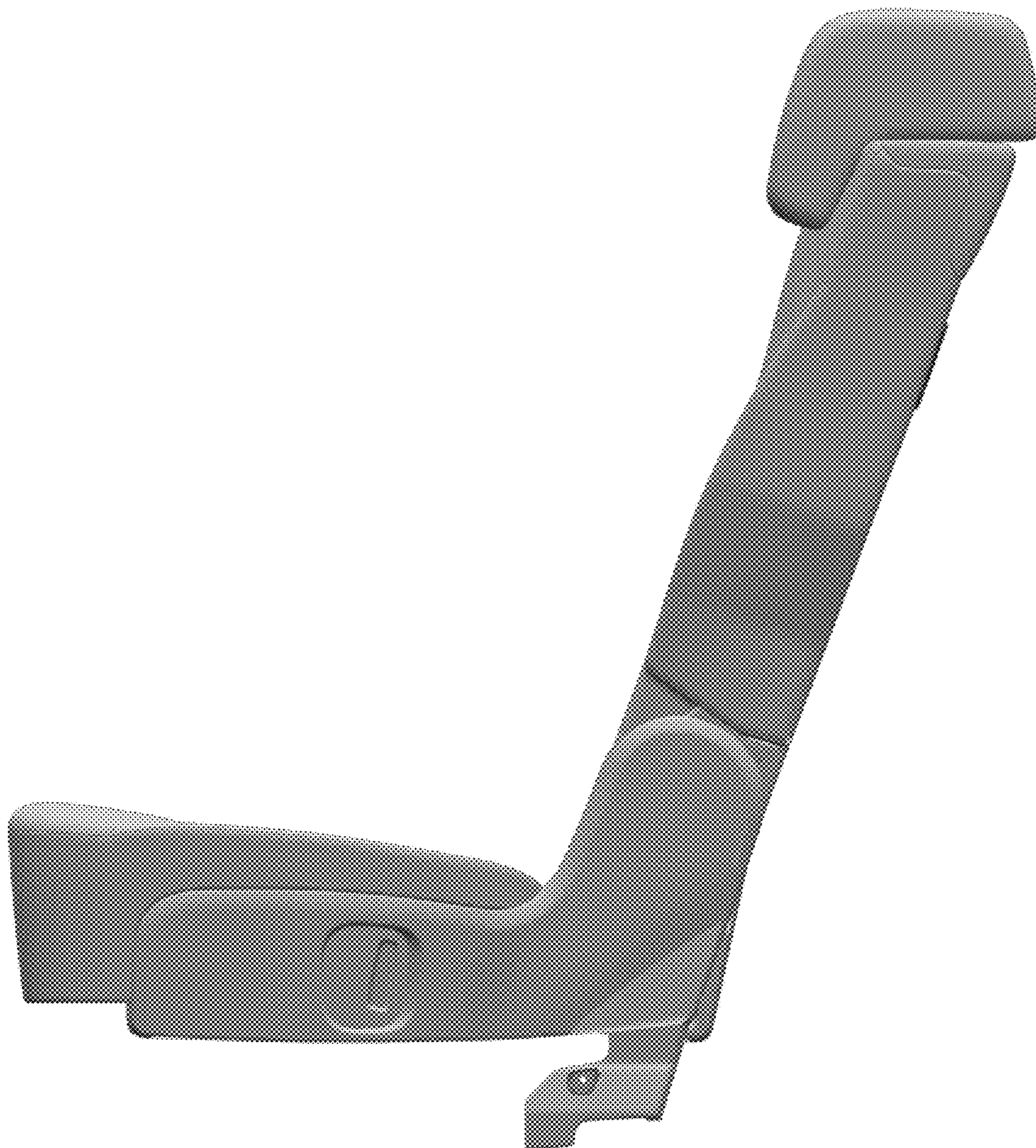


FIG. 8

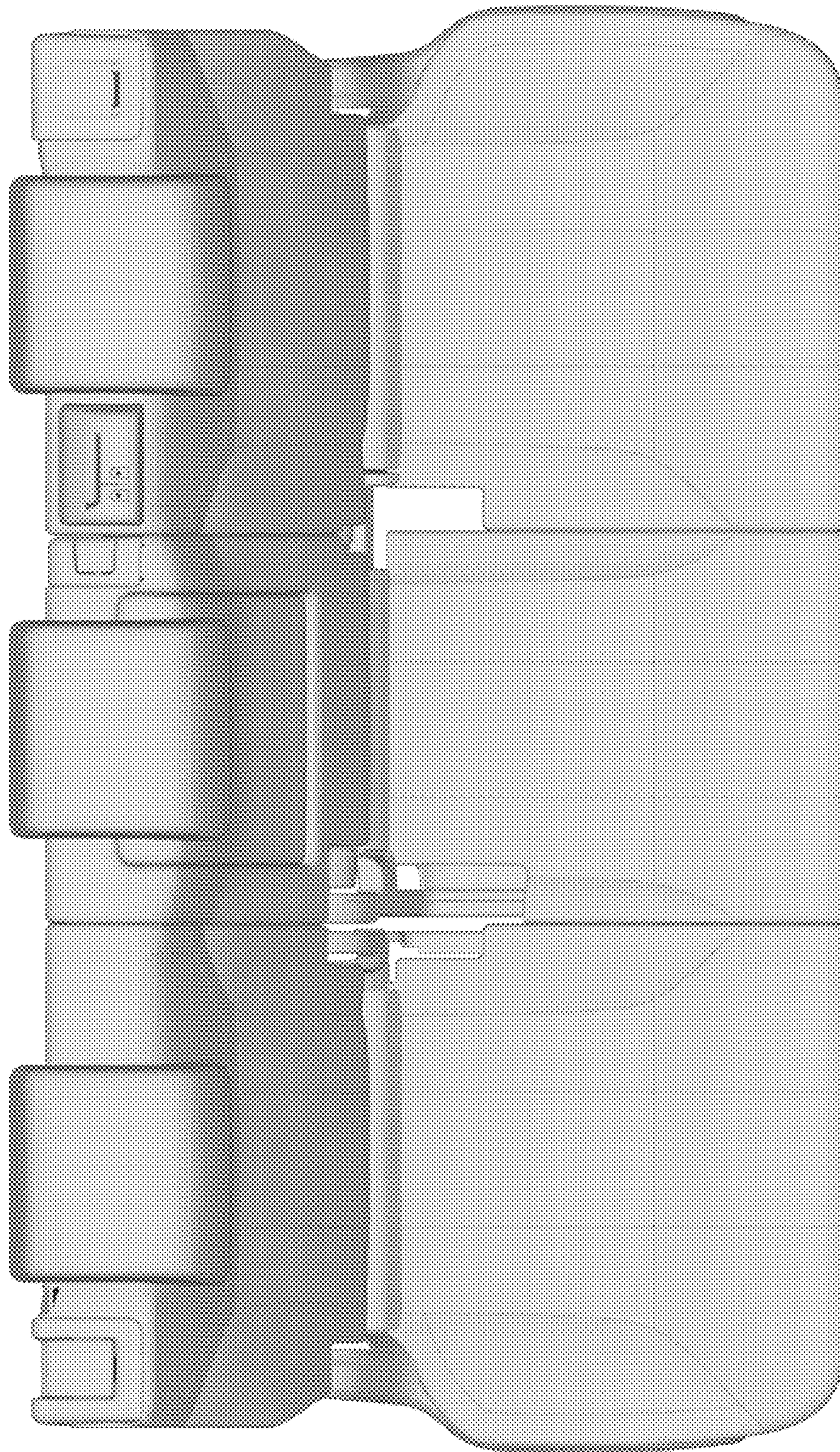


FIG. 9

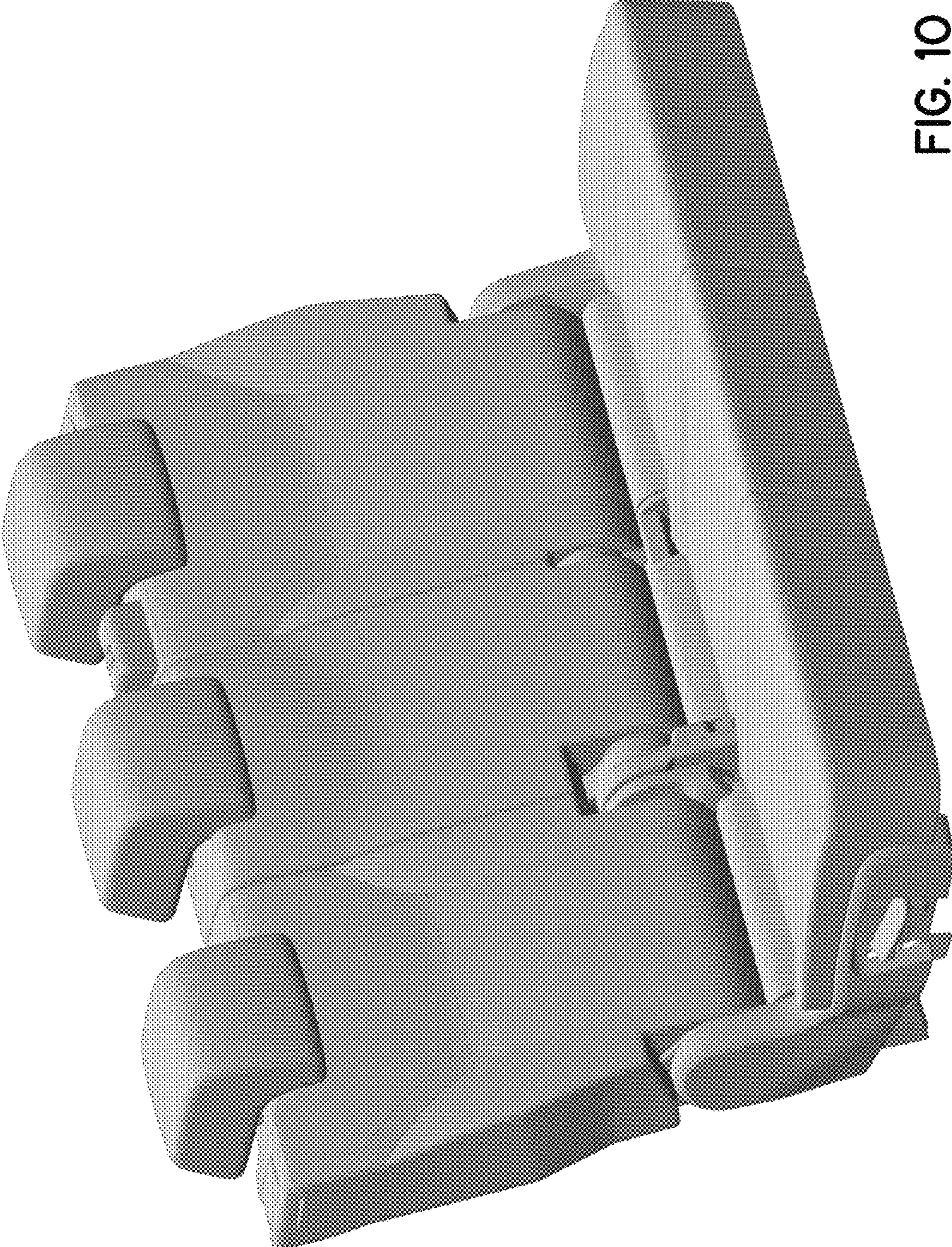


FIG. 10

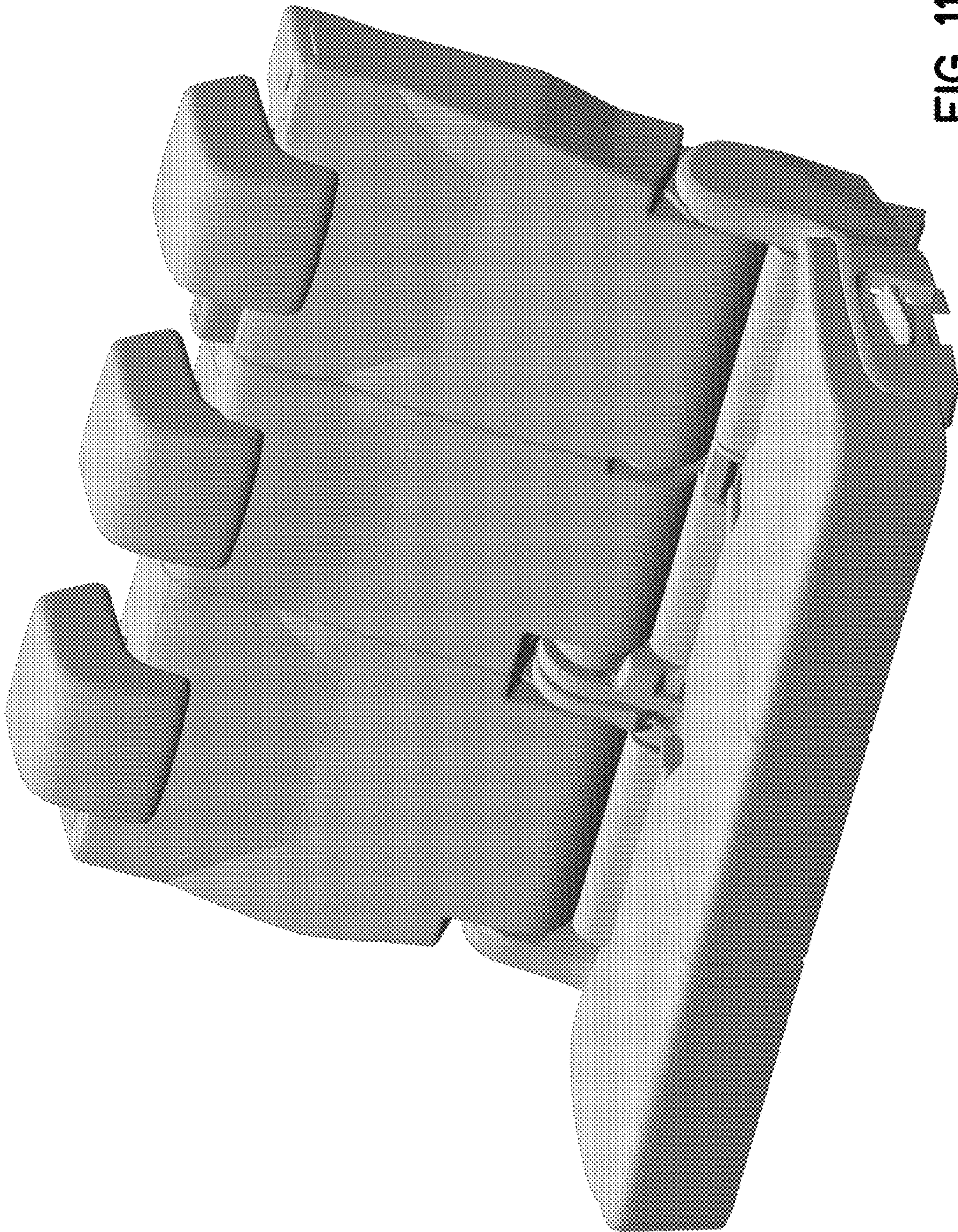


FIG. 11

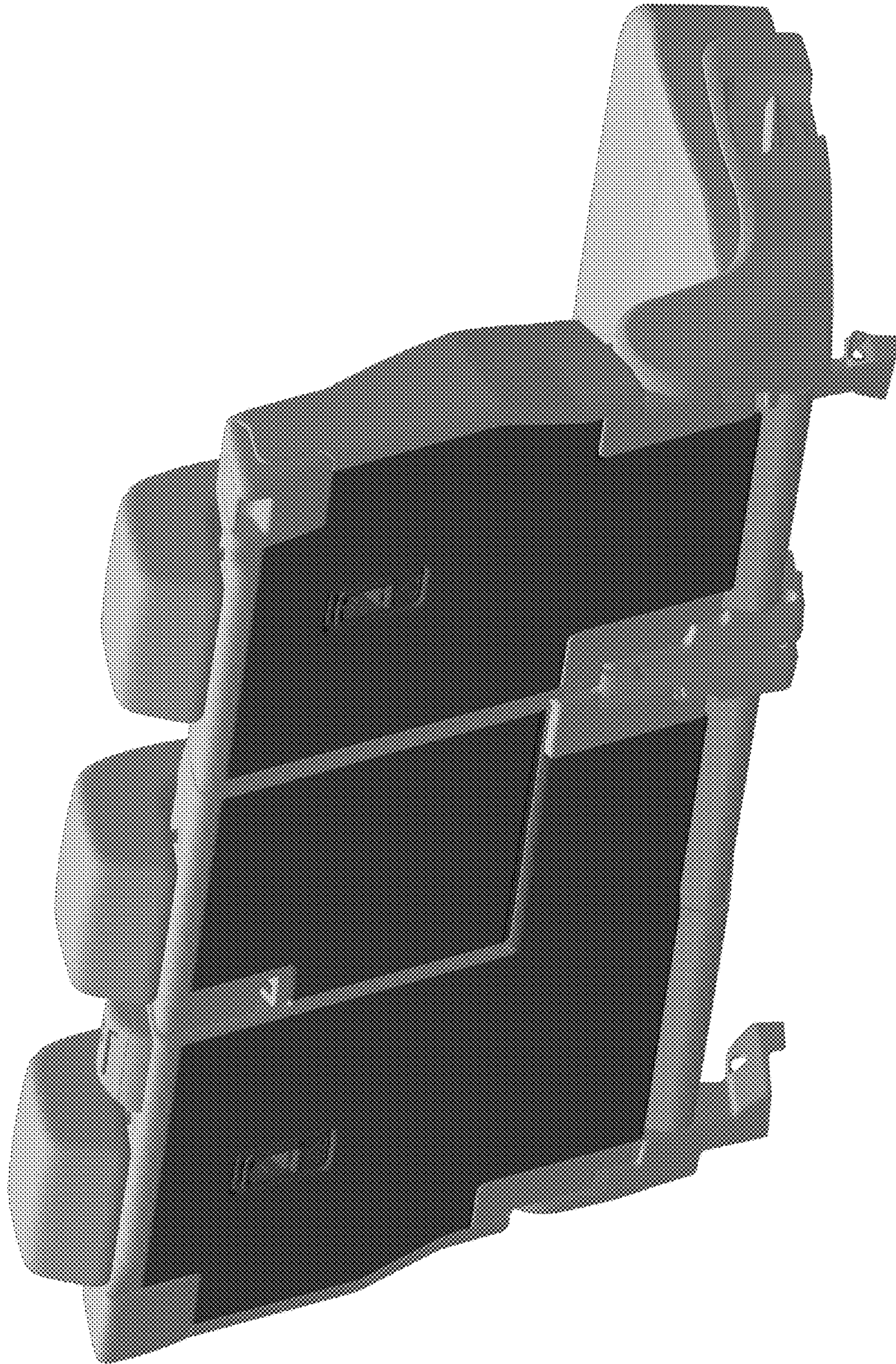


FIG. 12

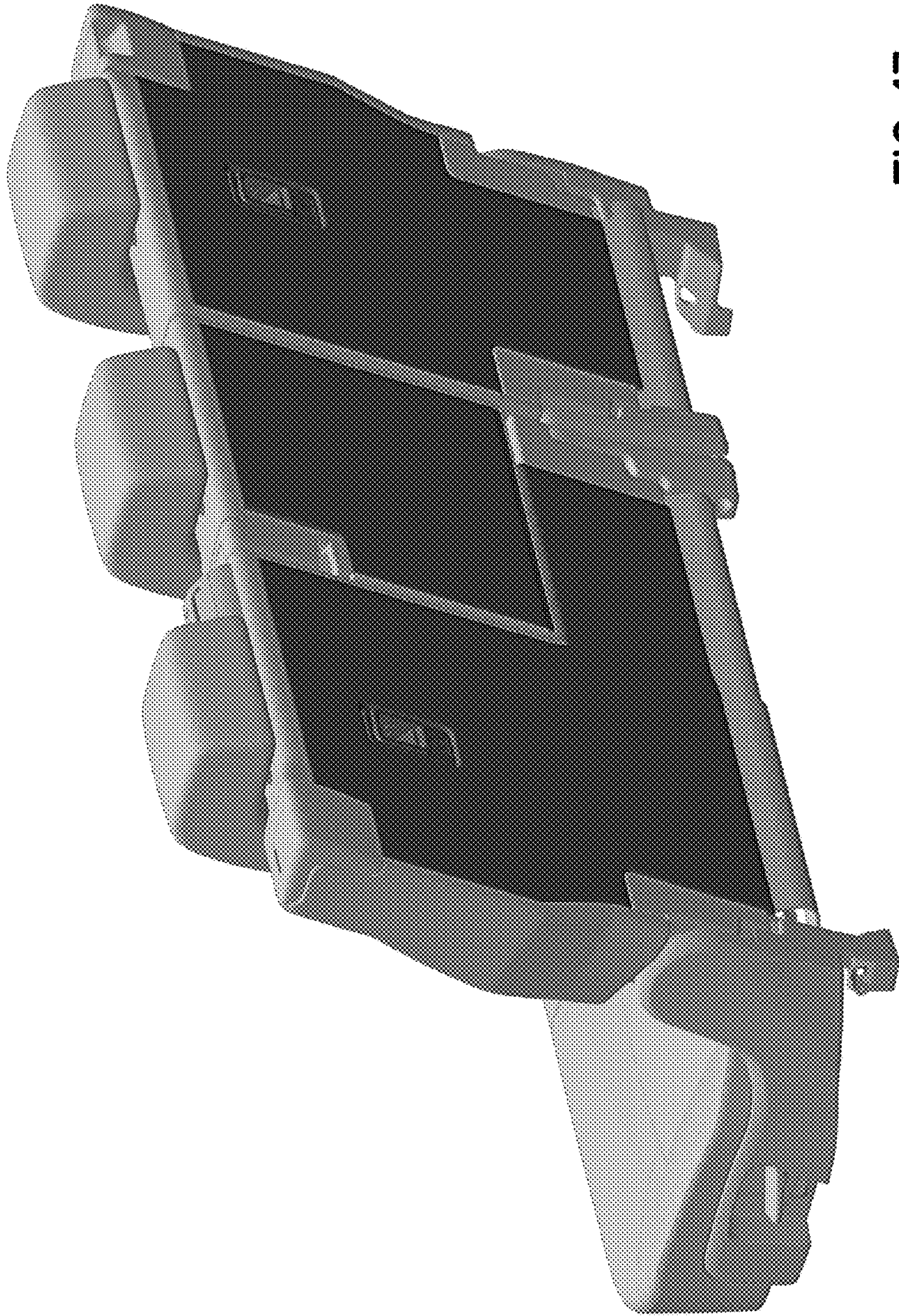


FIG. 13

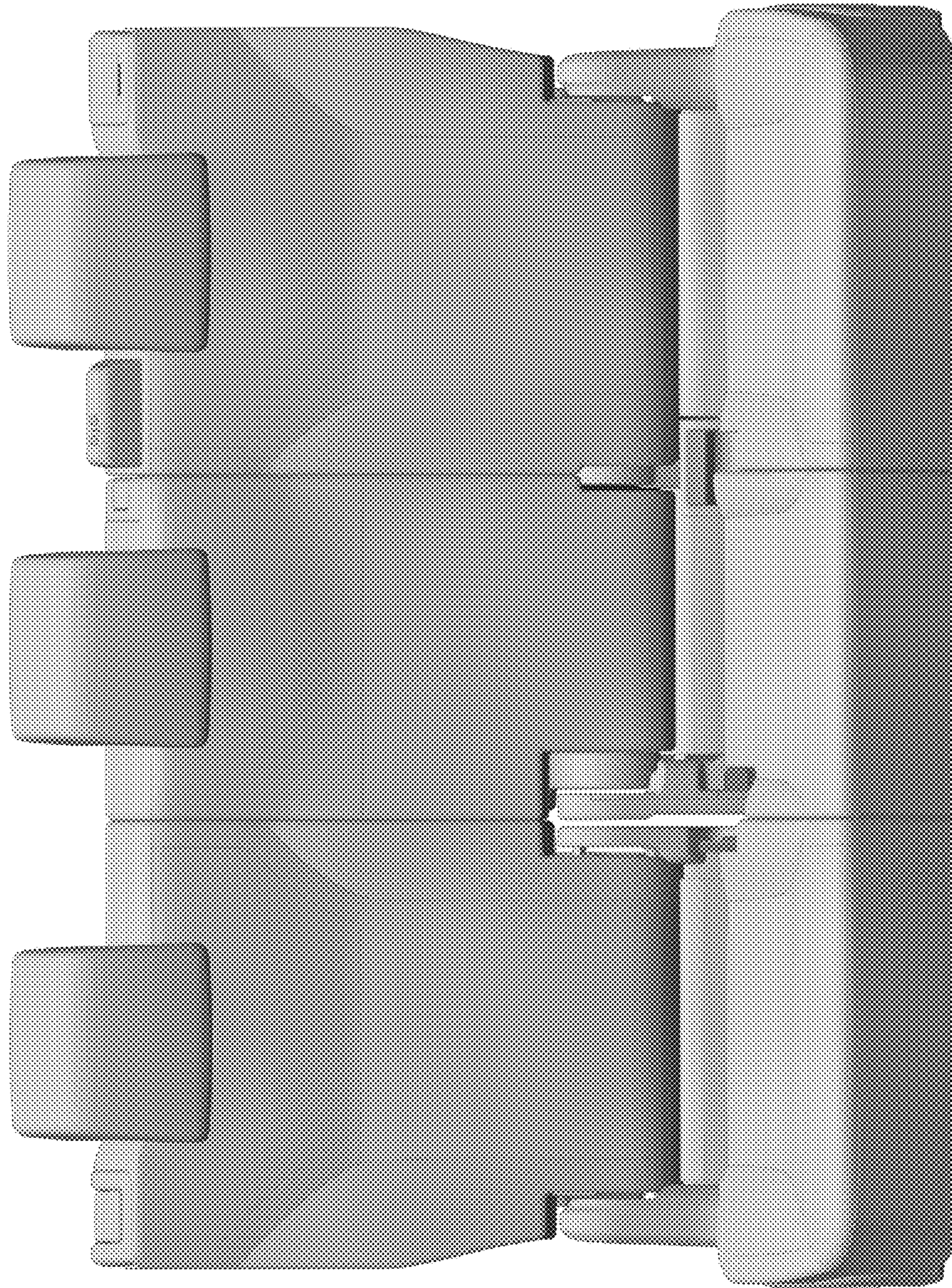


FIG. 14

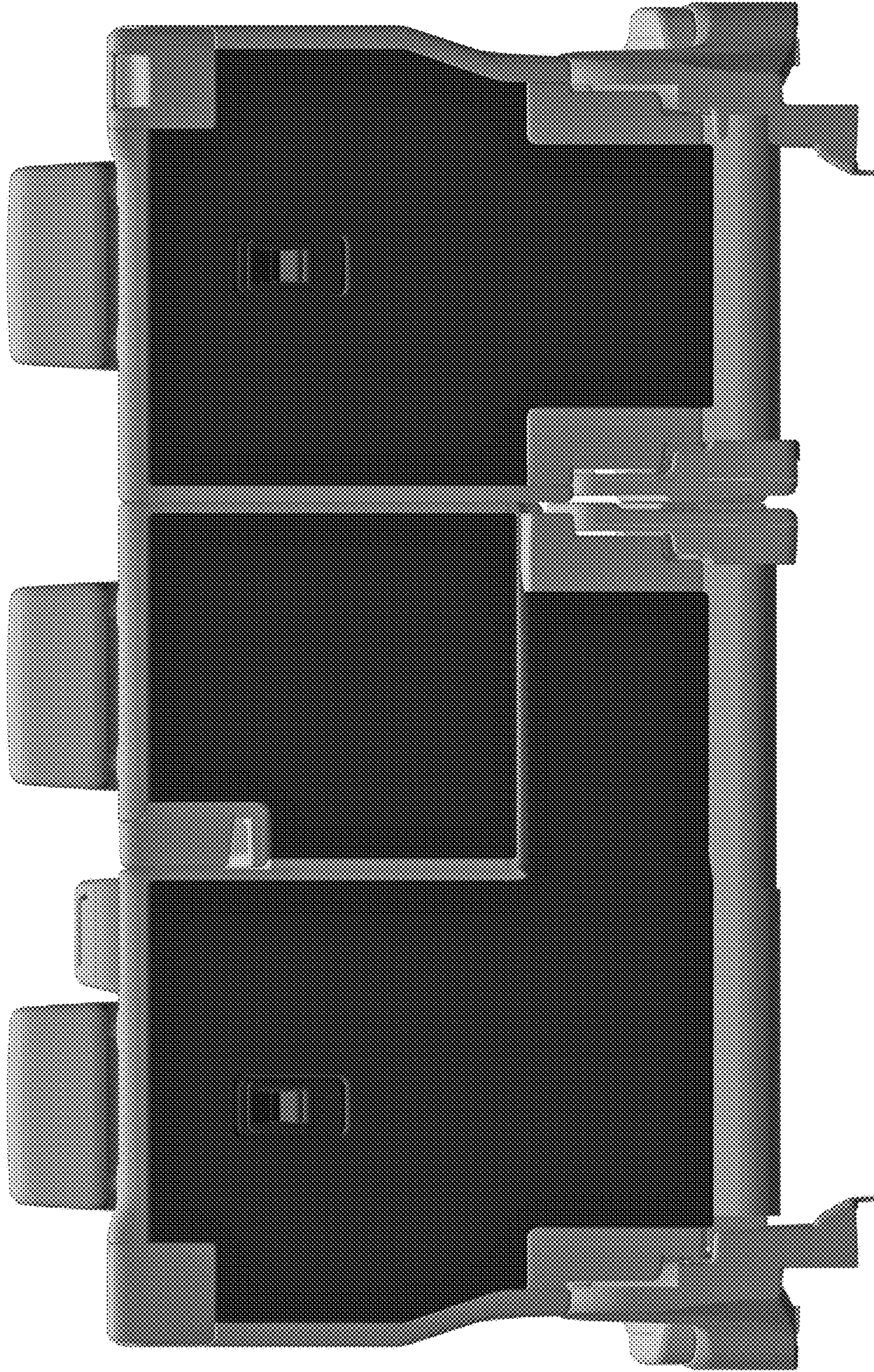


FIG. 15



FIG. 16



FIG. 17

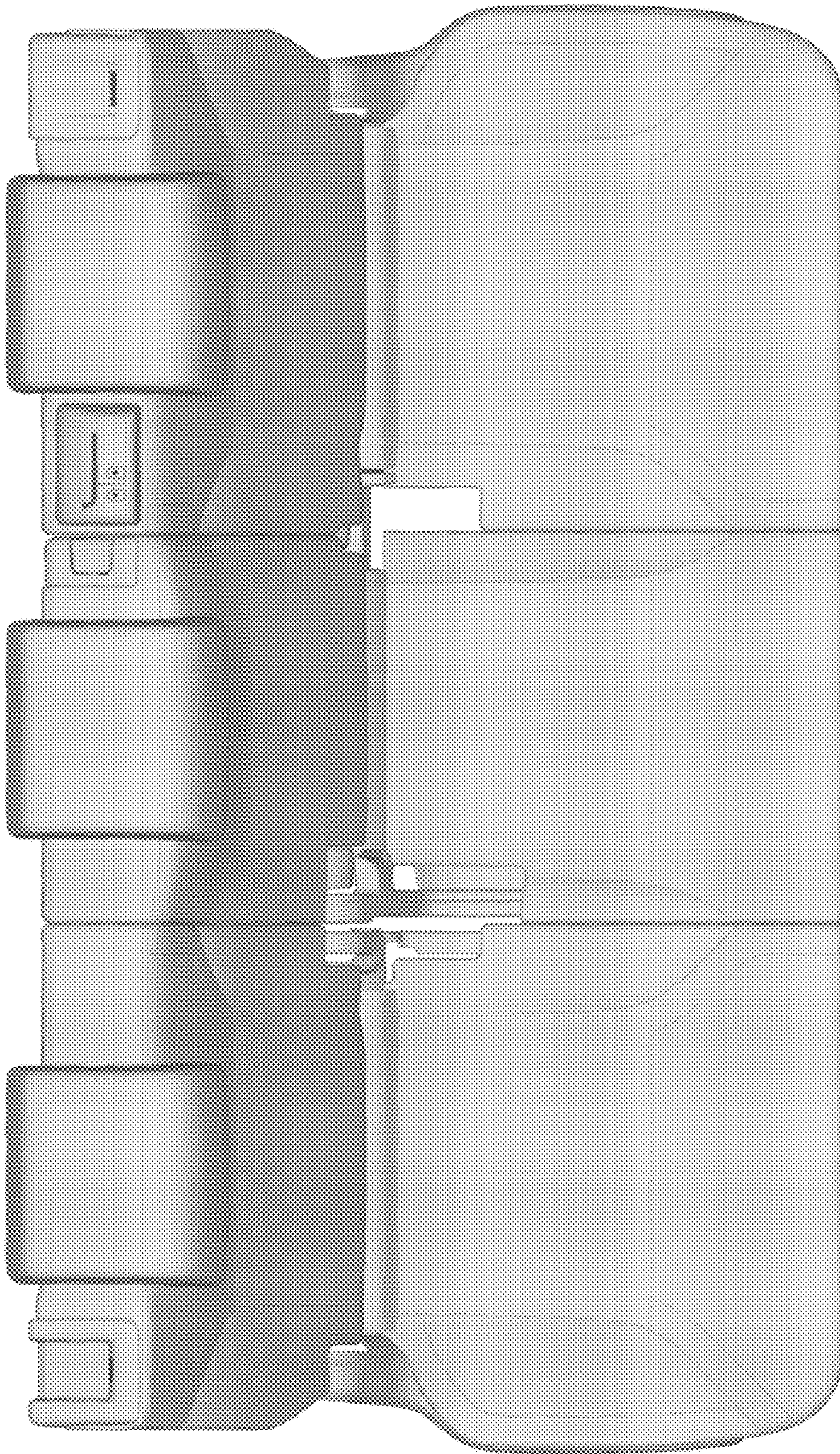


FIG. 18

UNITED STATES PATENT AND TRADEMARK OFFICE
CERTIFICATE OF CORRECTION

PATENT NO. : D849,432 S
APPLICATION NO. : 29/670700
DATED : May 28, 2019
INVENTOR(S) : Lee Perry et al.

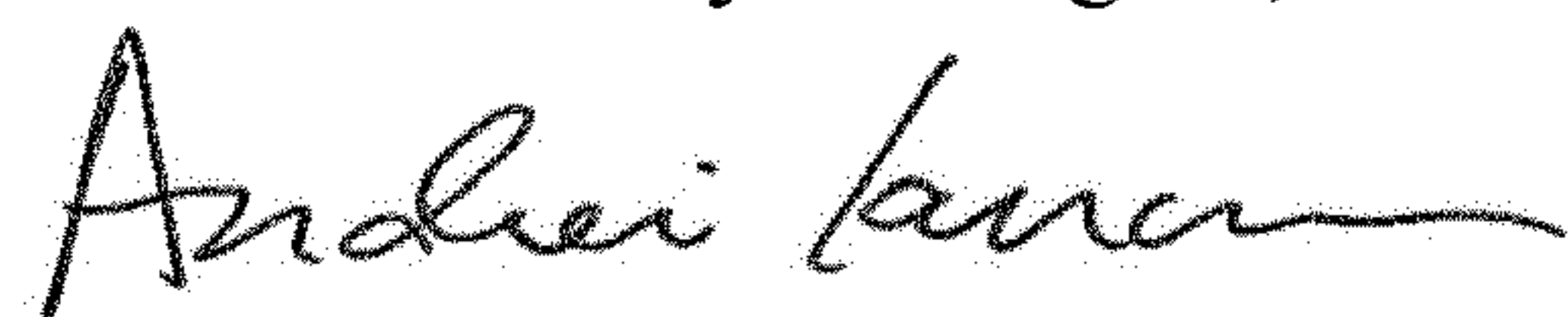
Page 1 of 1

It is certified that error appears in the above-identified patent and that said Letters Patent is hereby corrected as shown below:

On the Title Page

Column 2, item (57), under Description, Lines 15-16 "FIG. 11 is a front right perspective view of the bench seat show in FIG. 10." should read --FIG. 11 is a front right perspective view of the bench seat shown in FIG. 10.--.

Signed and Sealed this
Thirteenth Day of August, 2019



Andrei Iancu
Director of the United States Patent and Trademark Office