



US00D849429S

(12) **United States Design Patent** (10) **Patent No.:** **US D849,429 S**
Husain (45) **Date of Patent:** **** May 28, 2019**

(54) **TOILET ASSISTANCE DEVICE**
(71) Applicant: **Abbas M Husain**, Voorhees, NJ (US)
(72) Inventor: **Abbas M Husain**, Voorhees, NJ (US)
(**) Term: **15 Years**
(21) Appl. No.: **29/608,593**
(22) Filed: **Jun. 22, 2017**
(51) **LOC (11) Cl.** **06-01**
(52) **U.S. Cl.**
USPC **D6/349**
(58) **Field of Classification Search**
USPC D6/334-338, 340-343, 349-353, 355,
D6/358, 360, 364-365, 367, 371-373,
D6/381, 596, 597, 601, 604, 691-691.9,
D6/692-692.6, 708.2, 708, 716-716.1;
D25/65
CPC A47C 11/00; A47C 12/00; A47C 3/18;
A47C 9/002; A47C 16/00; A47C
16/02-16/04; A47K 17/02; A47K 17/028
See application file for complete search history.

D579,221 S * 10/2008 De Young D6/358
D677,478 S * 3/2013 Edwards D6/349
D797,466 S * 9/2017 Zioni D6/353
9,901,226 B2 * 2/2018 Boyd E03D 11/00
2004/0262865 A1 * 12/2004 Sigler A47C 16/00
280/47.27
2017/0354263 A1 * 12/2017 Houghson F16M 11/28
2018/0084919 A1 * 3/2018 Rayburn A47C 16/00

OTHER PUBLICATIONS

Vaunn Medical Bathroom Toilet Rail and Commode Safety Handle Health & Personal Care. [online] Published on Nov. 14, 2015. Retrieved Apr. 3, 2018 from URL:https://www.amazon.com/Vaunn-Medical-Stand-Alone-Commode-Seniors/dp/B06ZYQHLLT.*

* cited by examiner

Primary Examiner — Vy N Koenig
(74) *Attorney, Agent, or Firm* — Mark David Torche;
Patwrite Law

(57) **CLAIM**

The ornamental design for a toilet assistance device, as shown and described.

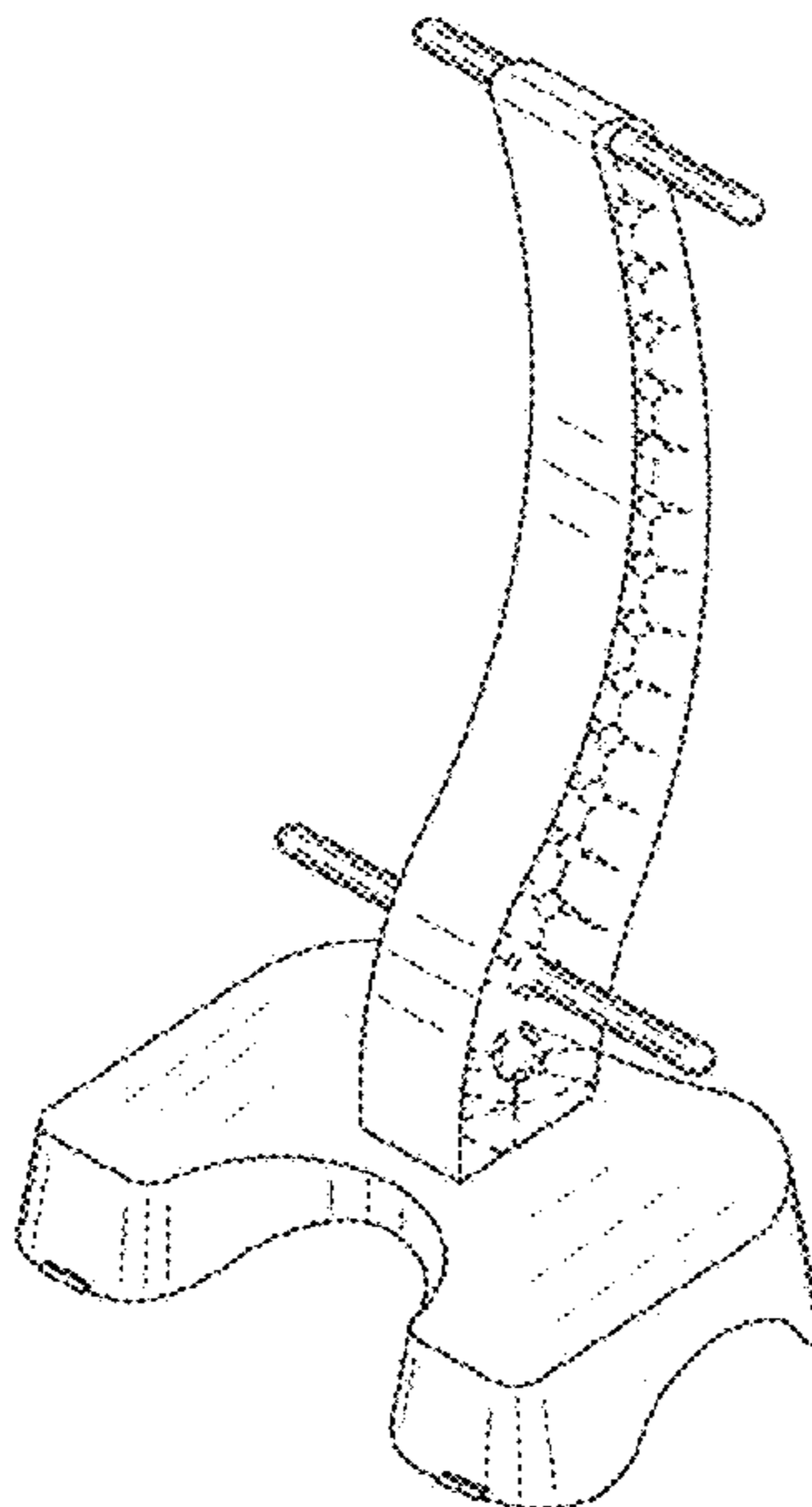
DESCRIPTION

FIG. 1 is a front view of a toilet assistance device showing my new design;
FIG. 2 is a right side view thereof, the left side view being a mirror image thereof;
FIG. 3 is a rear view thereof;
FIG. 4 is a top plan view thereof;
FIG. 5 is a bottom plan view thereof; and,
FIG. 6 is a perspective view thereof.
The broken lines depict environmental subject matter and form no part of the claimed design.

1 Claim, 6 Drawing Sheets

(56) **References Cited**
U.S. PATENT DOCUMENTS

1,761,602 A * 6/1930 Van Arnam A47K 17/026
297/423.28
D172,126 S * 5/1954 Conhaim 182/106
D268,796 S * 5/1983 Kola D6/349
D359,637 S * 6/1995 Hammie D6/692.3
5,579,864 A * 12/1996 Shorrock A47C 9/025
182/113
6,681,410 B1 * 1/2004 Husain A47K 17/028
297/423.39
D508,556 S * 8/2005 Palazzolo D23/309



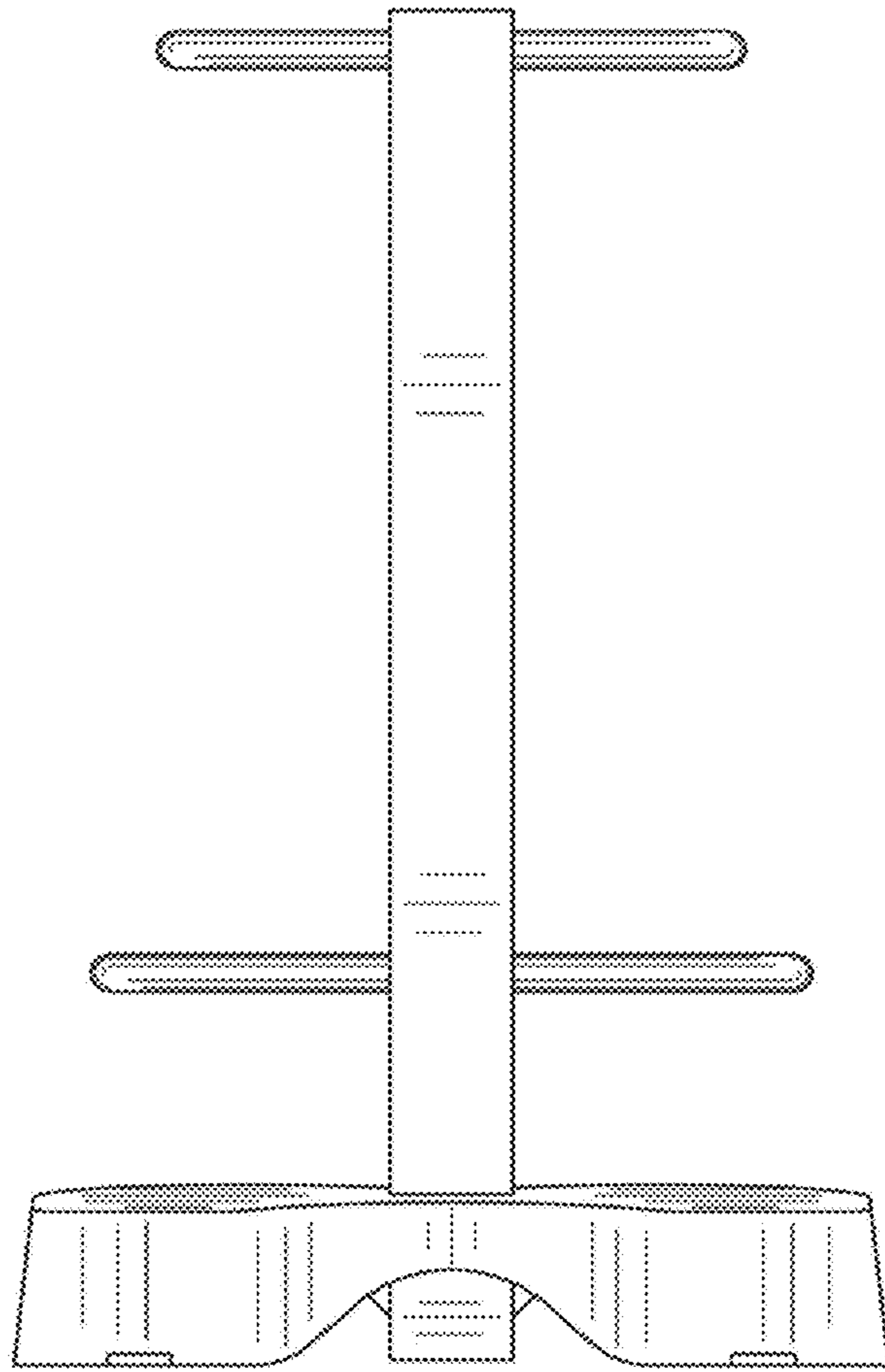


FIG. 1

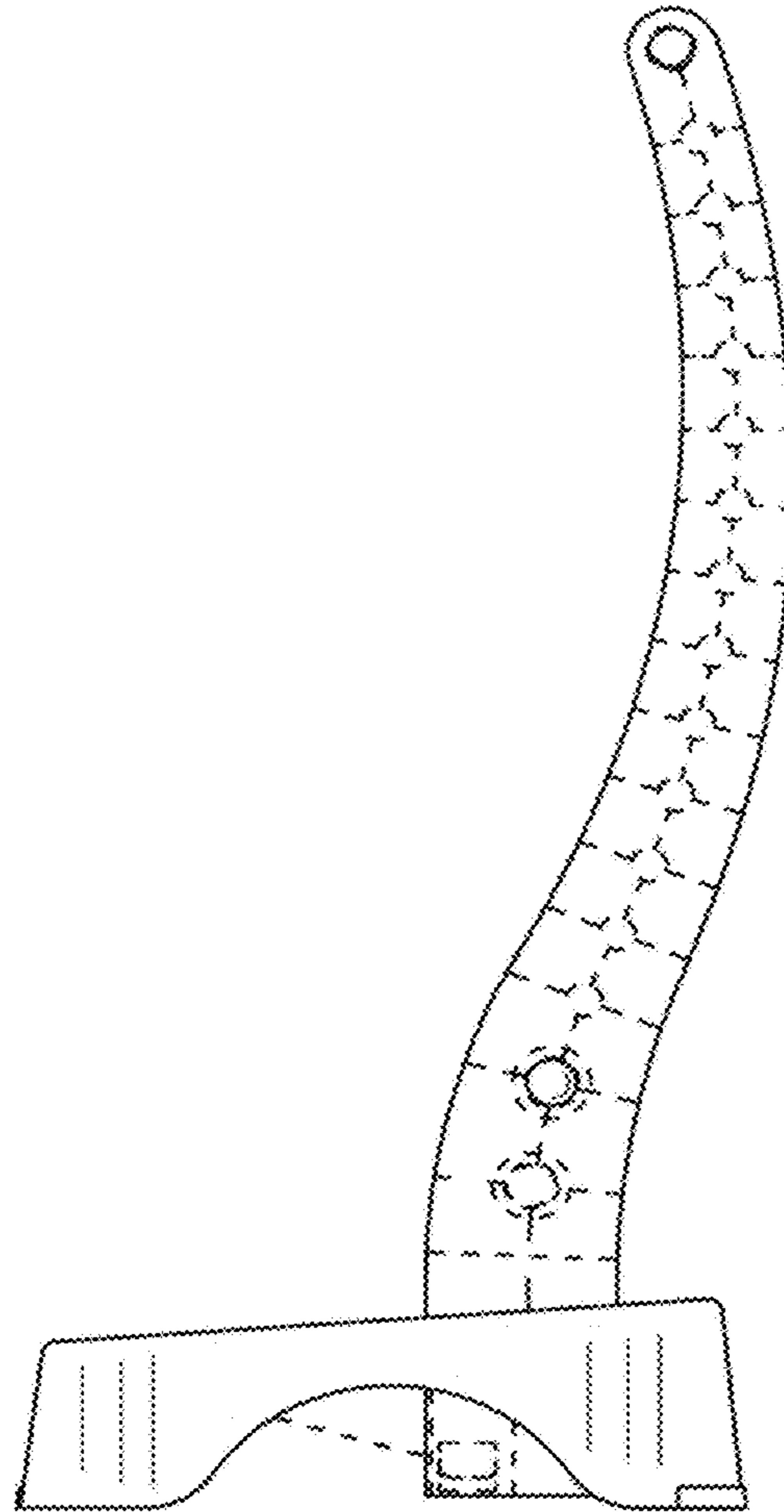


FIG. 2

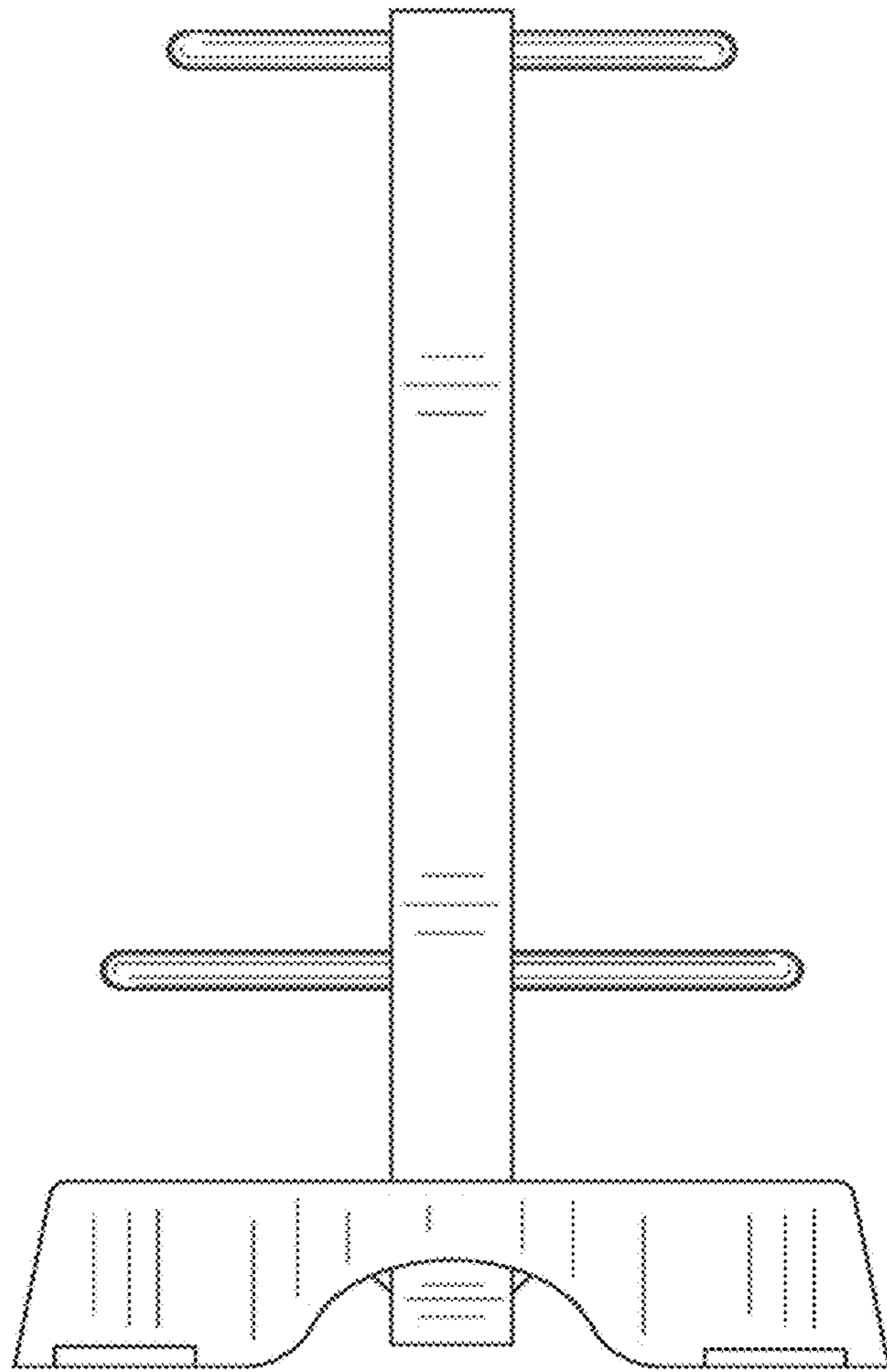


FIG. 3

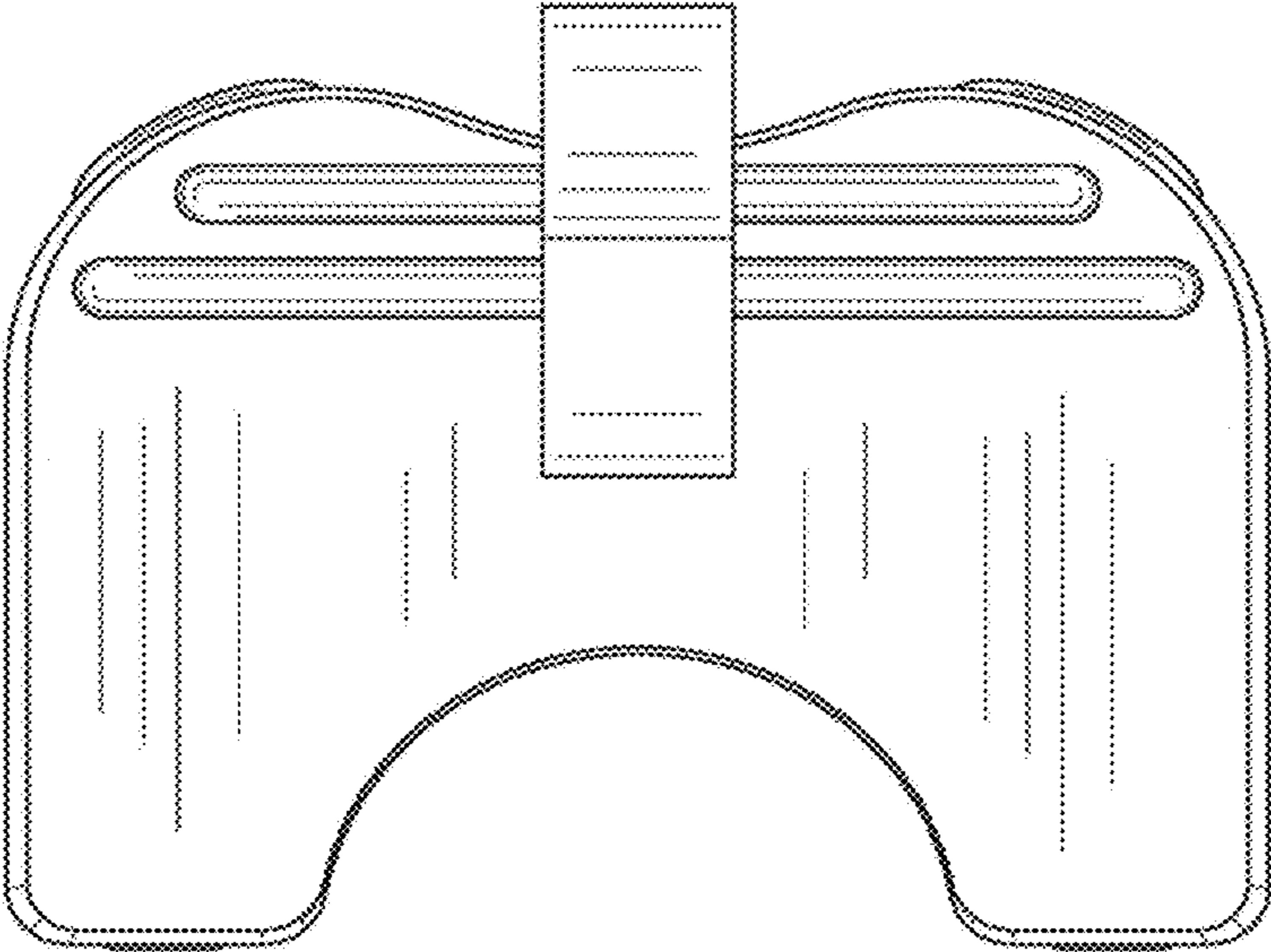


FIG. 4

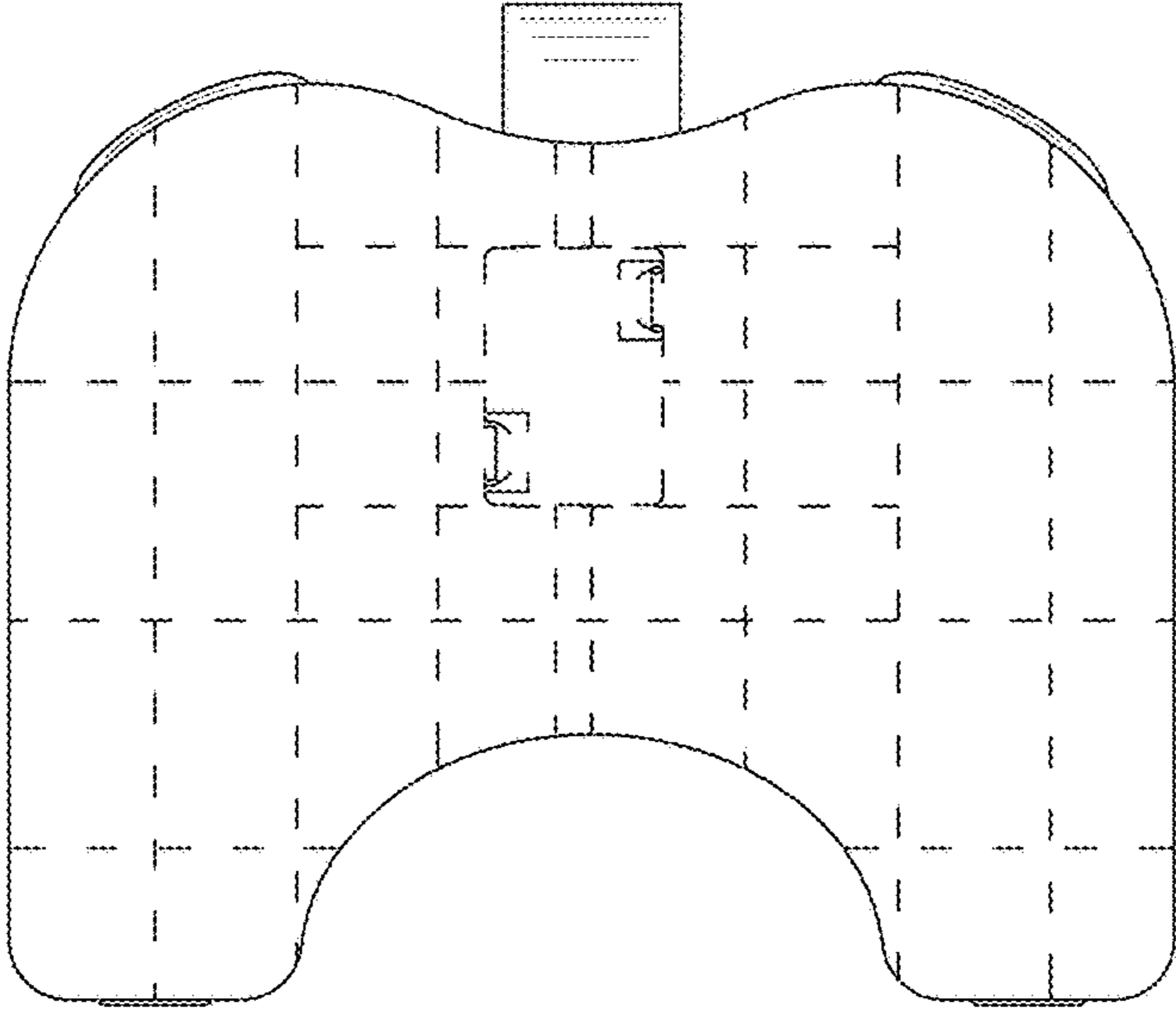


FIG. 5

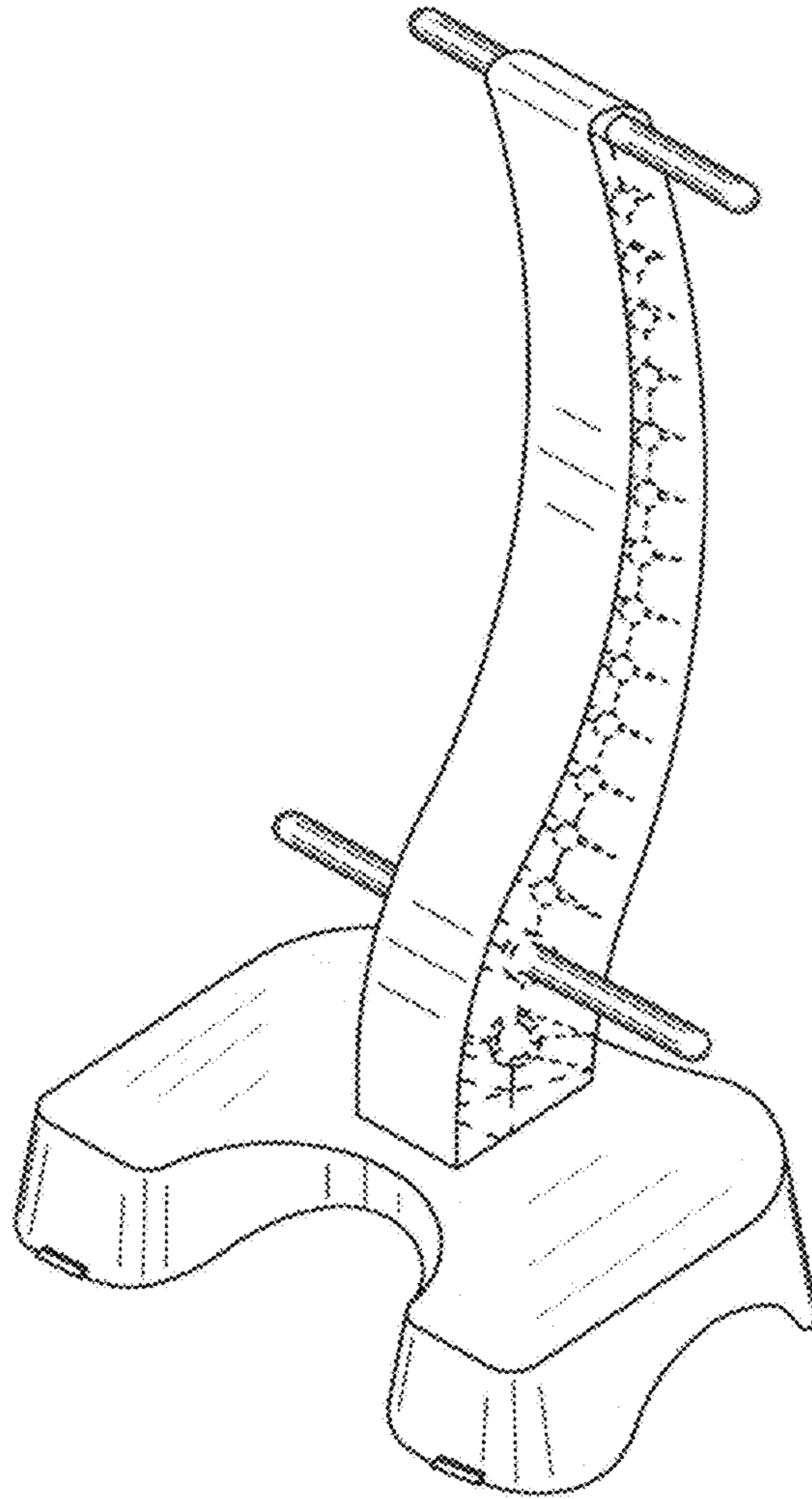


FIG. 6