



US00D849427S

(12) **United States Design Patent**
Lissoni

(10) **Patent No.:** **US D849,427 S**

(45) **Date of Patent:** **** May 28, 2019**

- (54) **SOFA**
- (71) Applicant: **Knoll, Inc.**, East Greenville, PA (US)
- (72) Inventor: **Piero Lissoni**, East Greenville, PA (US)
- (73) Assignee: **Knoll, Inc.**
- (**) Term: **15 Years**
- (21) Appl. No.: **29/619,683**
- (22) Filed: **Sep. 29, 2017**

D202,339 S *	9/1965	McRee	D6/336
D237,026 S *	10/1975	Vogt	D6/336
D270,403 S *	9/1983	Matthias	D6/378
D431,381 S *	10/2000	Gomez	D6/361
D498,074 S *	11/2004	Gomez	D6/381
D607,227 S *	1/2010	Massaud	D6/381
D743,181 S *	11/2015	Cardona	D6/381
D761,029 S *	7/2016	Behar	D6/336
D762,998 S *	8/2016	Warren	D6/371
D785,356 S *	5/2017	Massaud	D6/371
D787,207 S *	5/2017	Webb	D6/336
D789,103 S *	6/2017	Webb	D6/336
D802,322 S *	11/2017	Velez	D6/381
D818,733 S *	5/2018	Hiyoshi	D6/377
D826,607 S *	8/2018	Zdanius	D6/708

(30) **Foreign Application Priority Data**

Mar. 31, 2017	(EP)	0038339950006
Mar. 31, 2017	(EP)	0038339950007
Mar. 31, 2017	(EP)	0038339950008
Mar. 31, 2017	(EP)	0038339950009
Mar. 31, 2017	(EP)	0038339950010
Mar. 31, 2017	(EP)	0038339950011

* cited by examiner

Primary Examiner — Deanna L Pratt

(74) *Attorney, Agent, or Firm* — The Belles Group, P.C.

(51) **LOC (11) Cl.** **06-01**

(52) **U.S. Cl.**
USPC **D6/336; D6/381**

(58) **Field of Classification Search**
 USPC D6/334, 335, 336, 341, 360, 361, 364,
 D6/365, 366, 367, 368, 369, 371, 372,
 D6/373, 374, 375, 376, 377, 378, 381
 CPC A47C 1/00; A47C 13/00; A47C 13/005;
 A47C 17/002
 See application file for complete search history.

(57) **CLAIM**

The ornamental design for a sofa, as shown and described.

DESCRIPTION

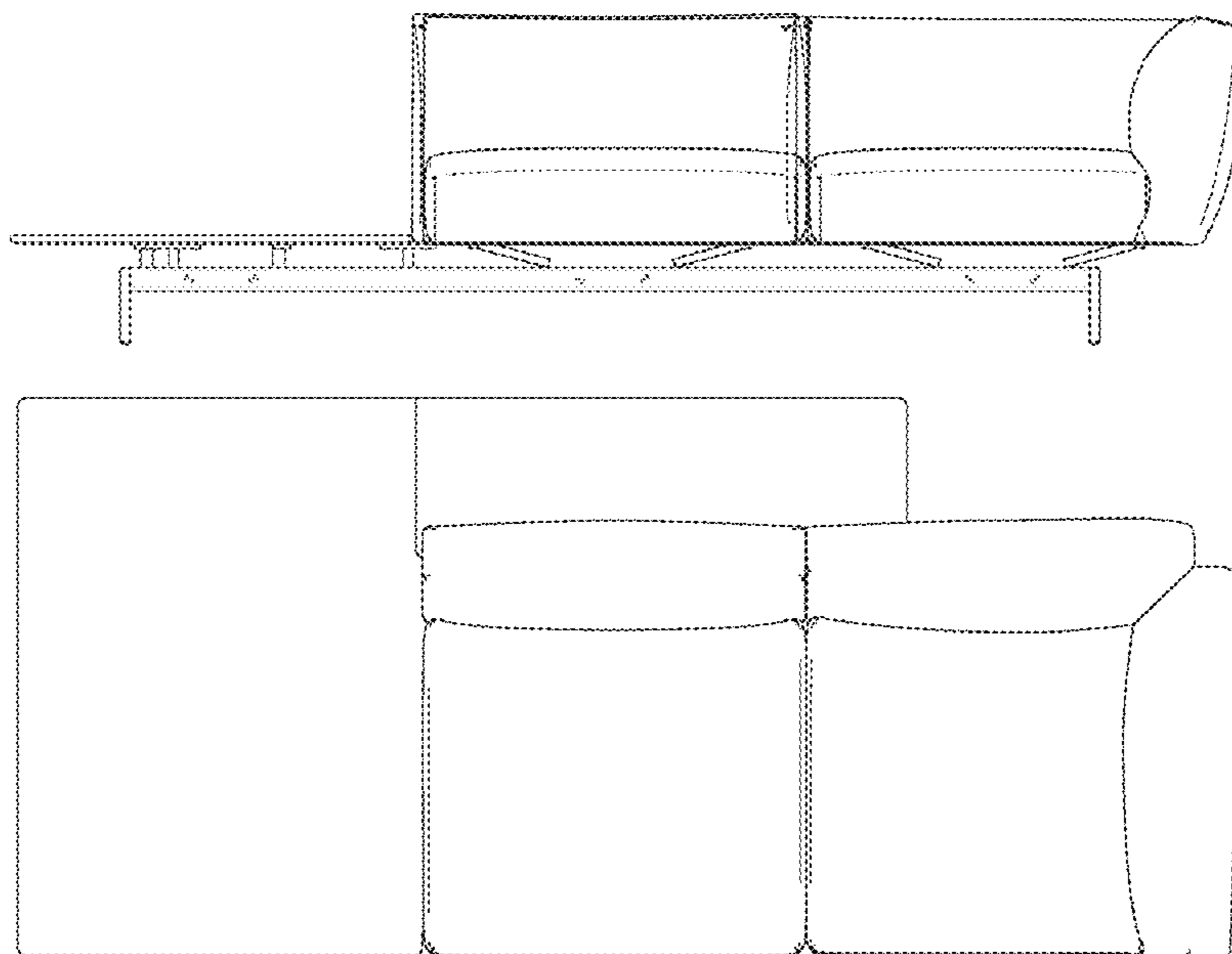
FIG. 1 is a front elevational view of a sofa in accordance with the present design;
 FIG. 2 is a top plan view of the sofa illustrated in FIG. 1;
 FIG. 3 is a bottom plan view of the sofa illustrated in FIG. 1;
 FIG. 4 is an exploded perspective view of the sofa illustrated in FIG. 1;
 FIG. 5 is a rear elevational view of the sofa illustrated in FIG. 1; and,
 FIG. 6 is a side elevational view of the sofa illustrated in FIG. 1.
 The broken lines in the figures show elements of the article that form no part of the claimed design.

(56) **References Cited**

U.S. PATENT DOCUMENTS

D192,913 S *	5/1962	Wilson	D6/336
D193,929 S *	10/1962	Ritts	D6/369

1 Claim, 6 Drawing Sheets



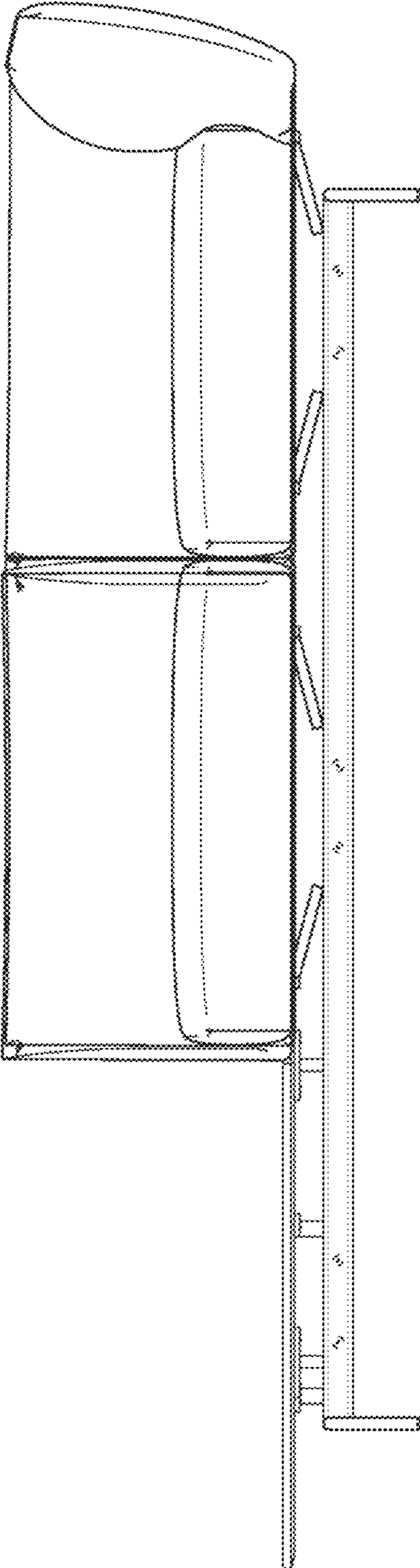


FIG. 1

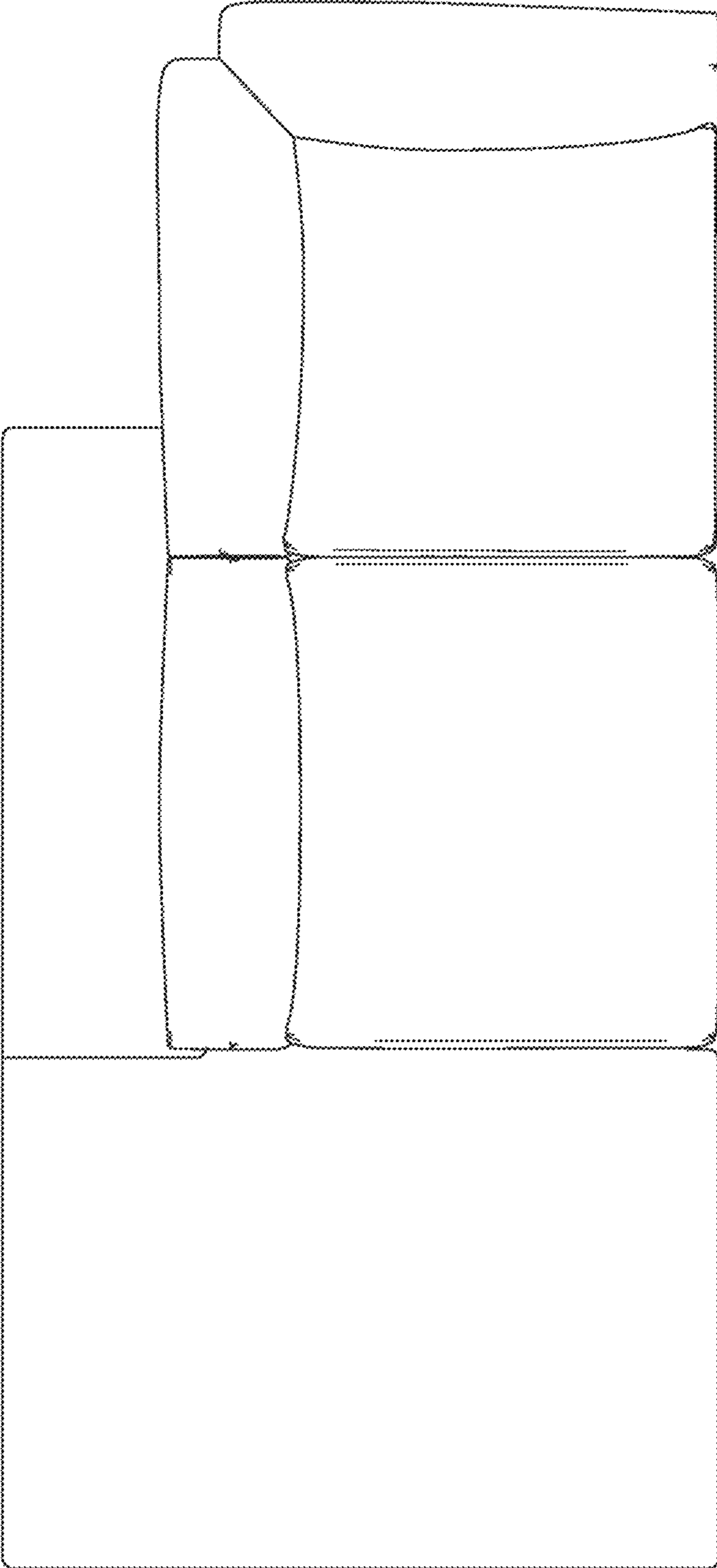


FIG. 2

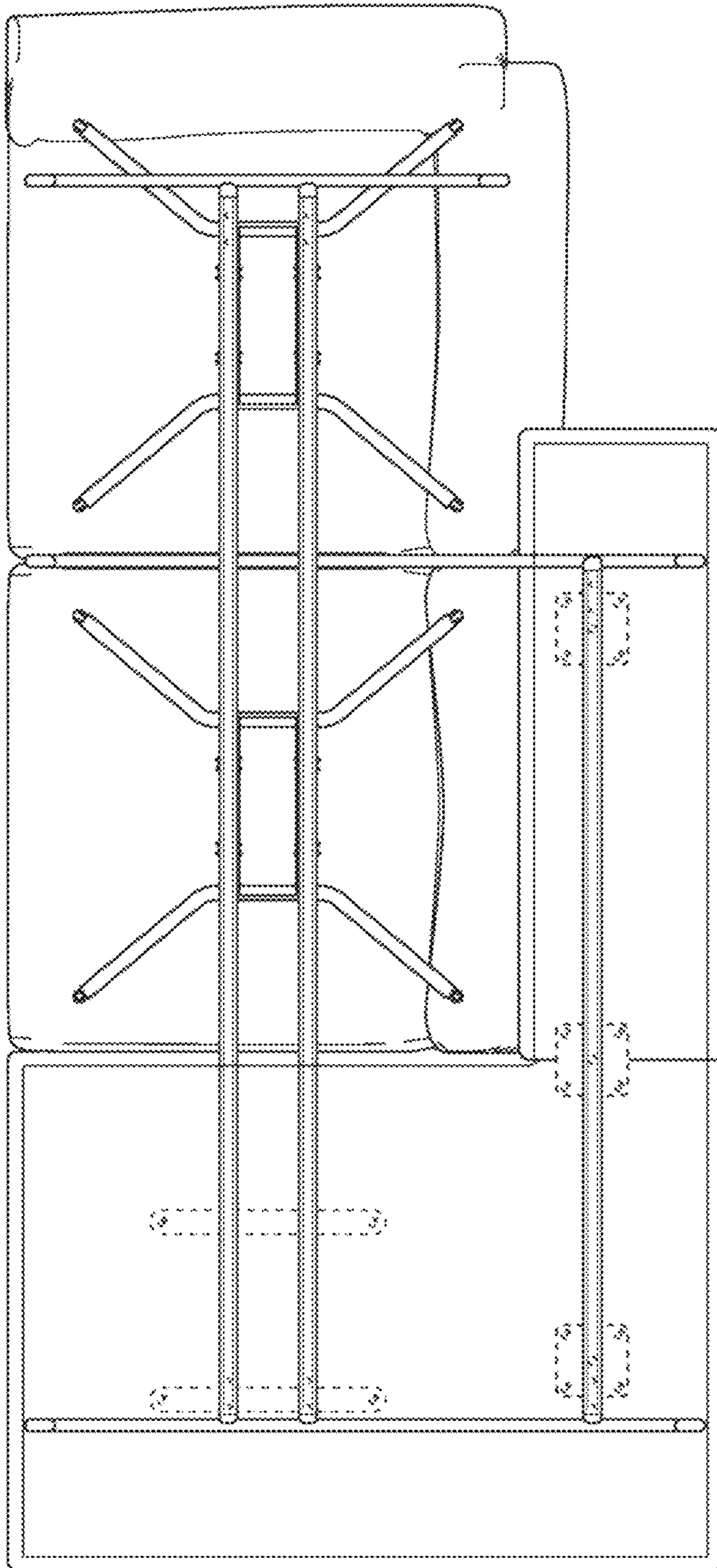


FIG. 3

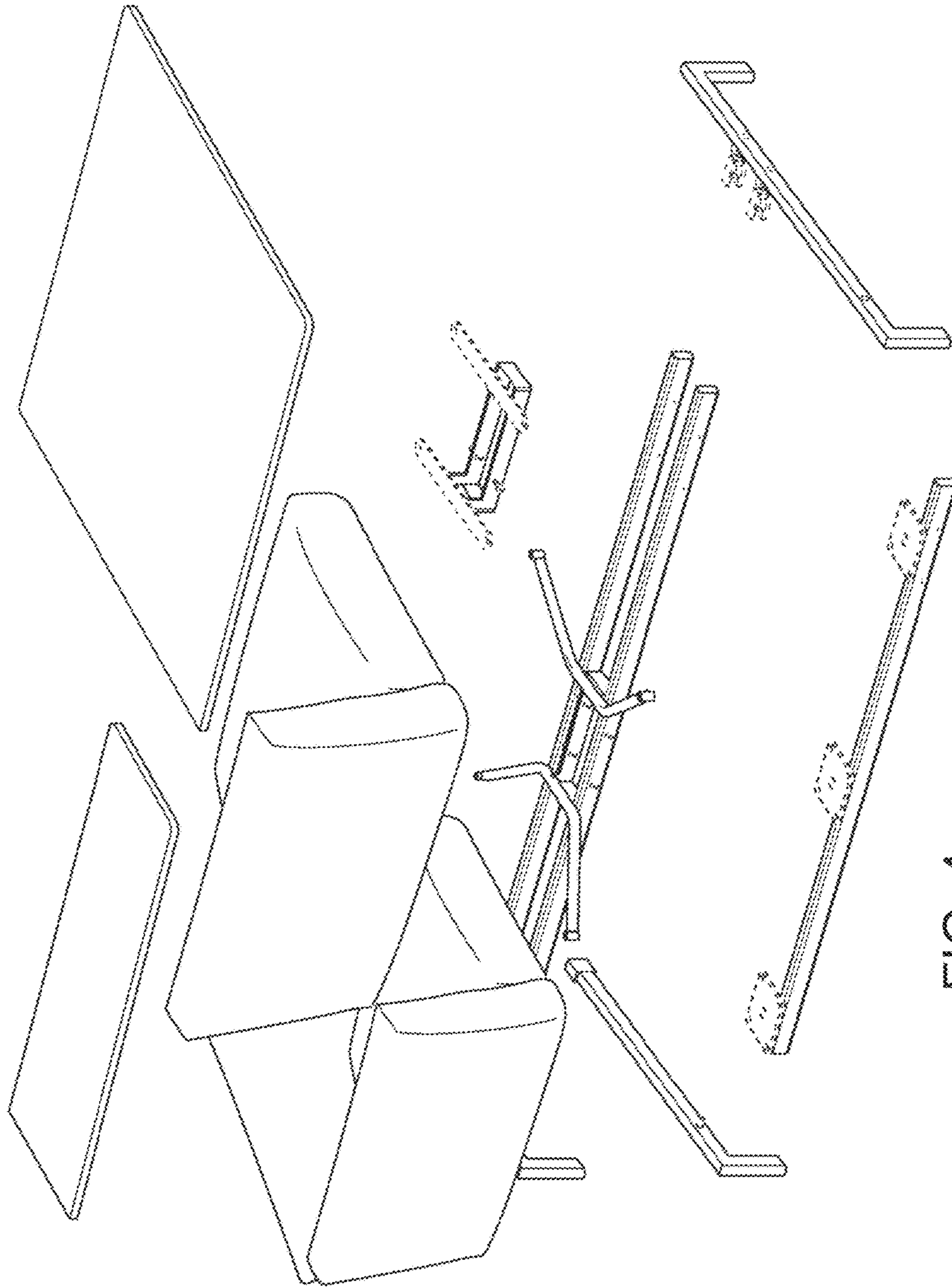


FIG. 4

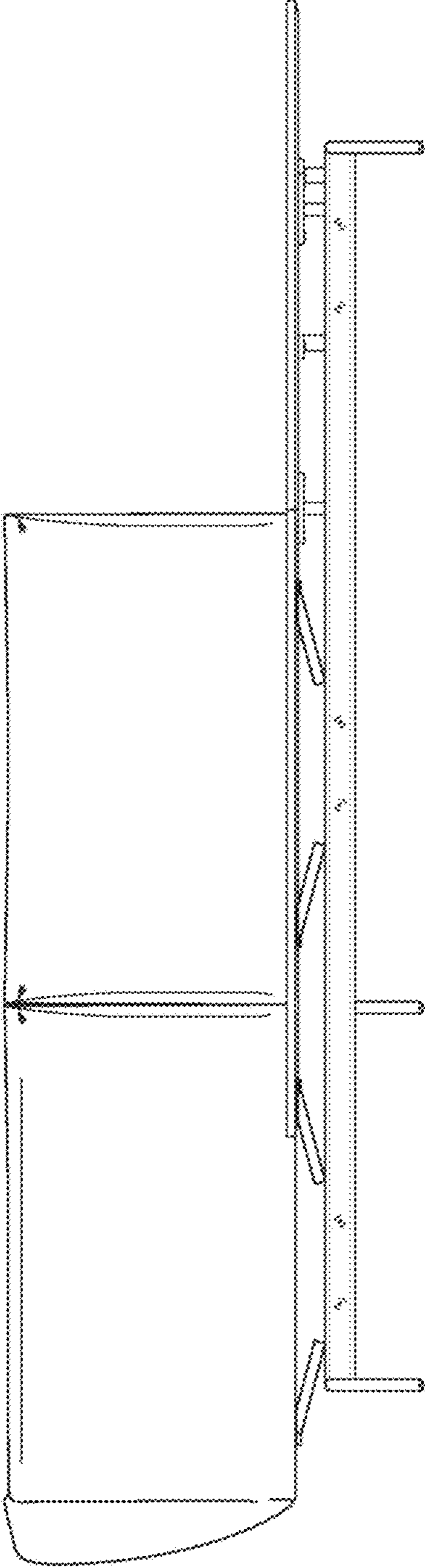


FIG. 5

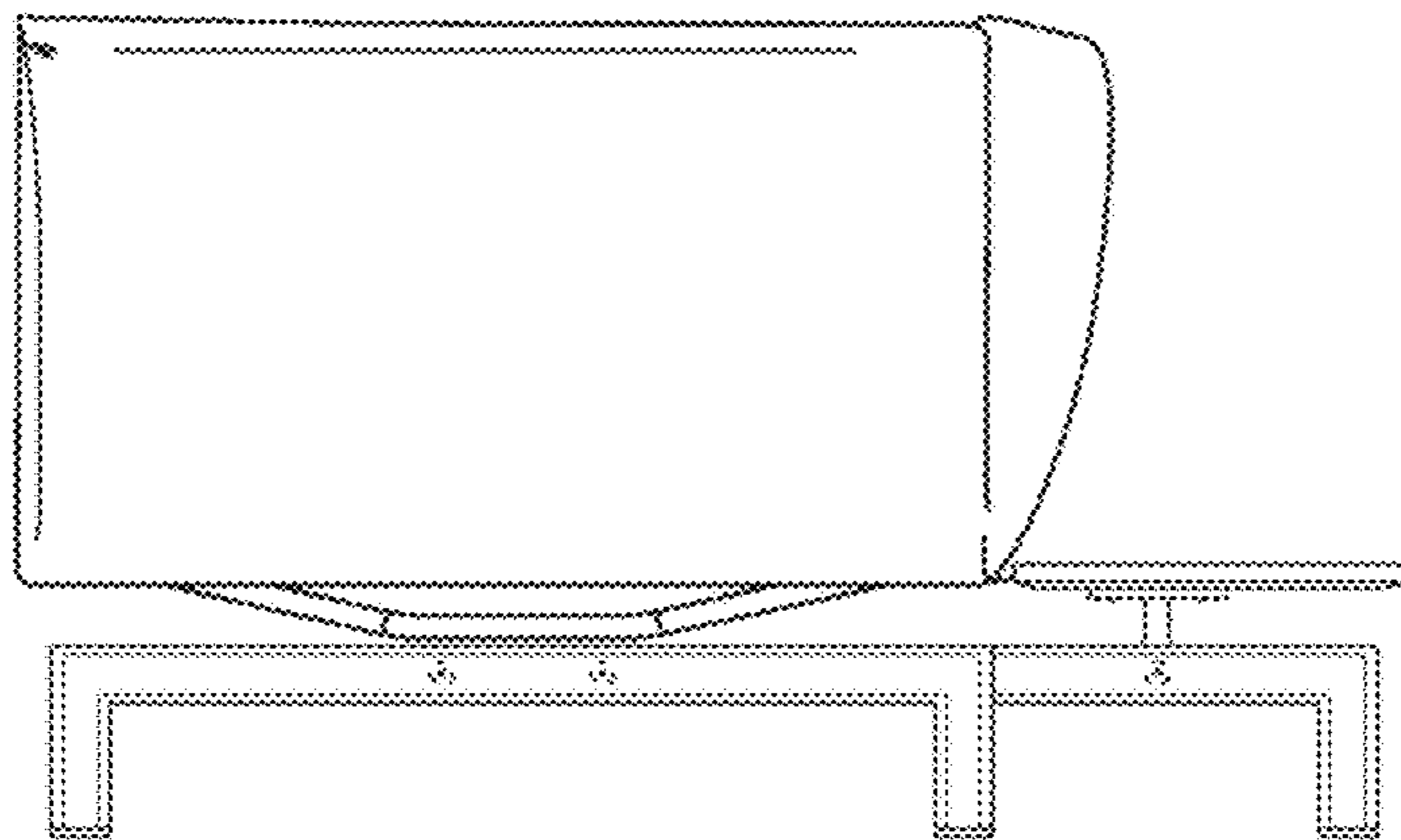


FIG. 6