

US00D849426S

(12) **United States Design Patent**
Cantrell

(10) **Patent No.:** **US D849,426 S**

(45) **Date of Patent:** **** May 28, 2019**

- (54) **FURNITURE WITH STITCHING**
- (71) Applicant: **Hooker Furniture Corporation**,
Martinsville, VA (US)
- (72) Inventor: **Shawn Cantrell**, High Point, NC (US)
- (73) Assignee: **HOOKEER FURNITURE**
CORPORATION, Martinsville, VA
(US)
- (**) Term: **15 Years**
- (21) Appl. No.: **29/639,008**
- (22) Filed: **Mar. 2, 2018**

D414,046 S *	9/1999	Kort	D6/356
D481,227 S *	10/2003	Lenger	D6/716
D485,695 S *	1/2004	Mascheroni	D6/381
D509,074 S *	9/2005	Westendorf	D6/334
D554,387 S *	11/2007	Nicoletti	D6/381
D622,523 S *	8/2010	Laframboise	D6/716.4
D626,349 S *	11/2010	Bashir	D6/356
D644,047 S *	8/2011	Fujii	D6/356
D644,461 S *	9/2011	Fujii	D6/356
D644,462 S *	9/2011	Fujii	D6/356
D644,463 S *	9/2011	Fujii	D6/356
D644,464 S *	9/2011	Fujii	D6/356
D644,465 S *	9/2011	Fujii	D6/356
D655,526 S *	3/2012	Yeung Ka Fei	D6/371
D691,826 S *	10/2013	Banda	D6/381
D737,586 S *	9/2015	Taguchi	D6/356
D740,596 S *	10/2015	Toh	D6/716
D801,069 S *	10/2017	Huang	D6/373
D803,587 S *	11/2017	Dix	D6/334
D814,201 S *	4/2018	Cantrell	D6/334

Related U.S. Application Data

- (62) Division of application No. 29/555,754, filed on Feb. 24, 2016, now Pat. No. Des. 814,201.
- (51) **LOC (11) Cl.** **06-01**
- (52) **U.S. Cl.**
USPC **D6/334; D6/716.2**
- (58) **Field of Classification Search**
USPC D6/334, 335, 336, 360, 361, 367, 368,
D6/371-375, 379-381, 716, 716.1-716.8
CPC A47C 7/00; A47C 7/62; A47C 7/18; A47C
7/54; A47C 4/00; A47C 4/028; A47C
4/28; A47C 3/16; A47C 3/04; A47C 3/12;
A47C 1/02; A47C 1/14
See application file for complete search history.

* cited by examiner

Primary Examiner — Deanna L Pratt

(74) *Attorney, Agent, or Firm* — McGuireWoods LLP

(57) **CLAIM**

The ornamental design for a furniture with stitching, as shown and described.

DESCRIPTION

FIG. 1 is a perspective view of a furniture with stitching; FIG. 2 is an enlarged view of the furniture with stitching of FIG. 1; FIG. 3 is a front elevation view thereof; and, FIG. 4 is an enlarged view of the furniture with stitching of FIG. 3.

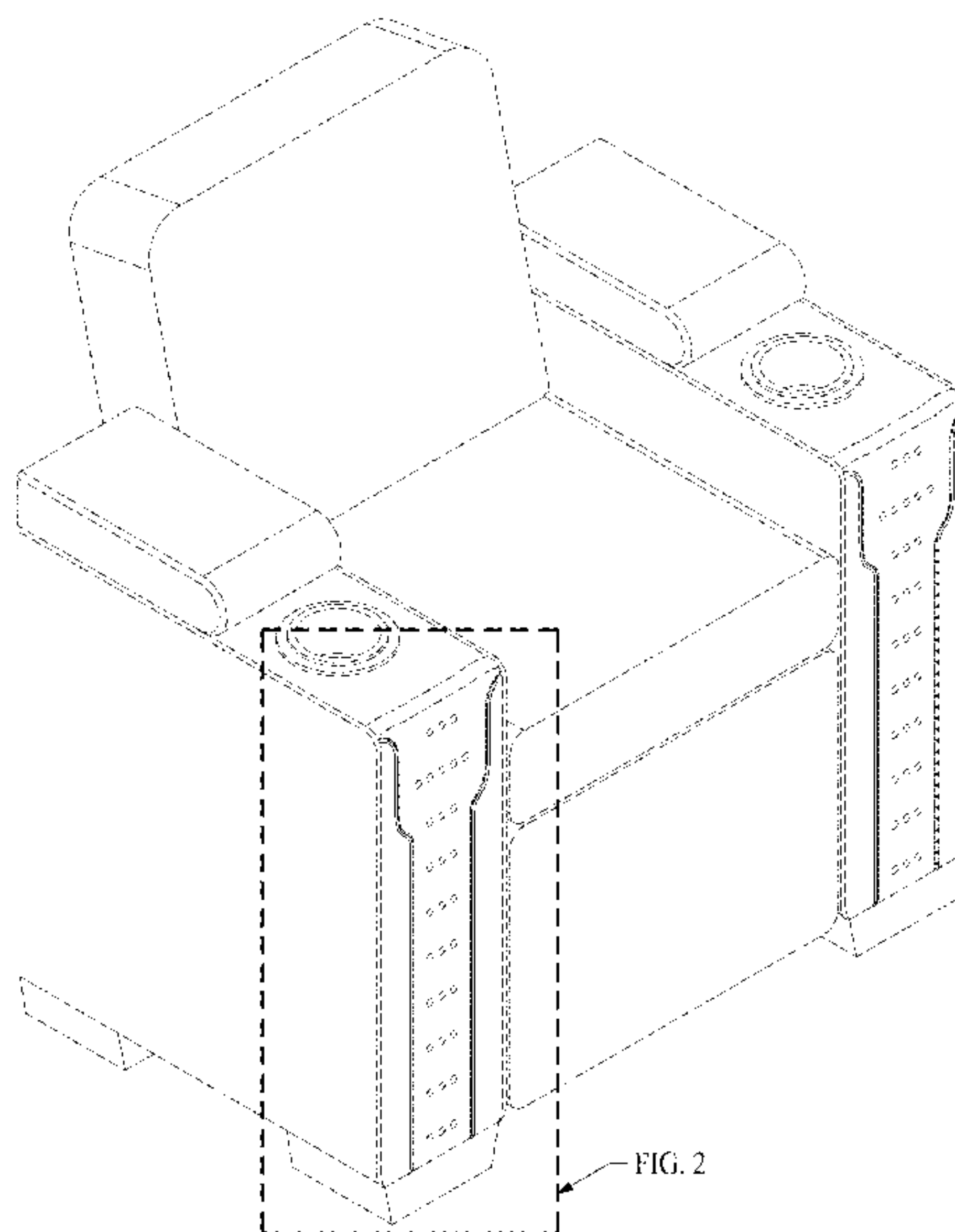
The broken lines illustrate portions of the furniture with stitching that form no part of the claimed design.

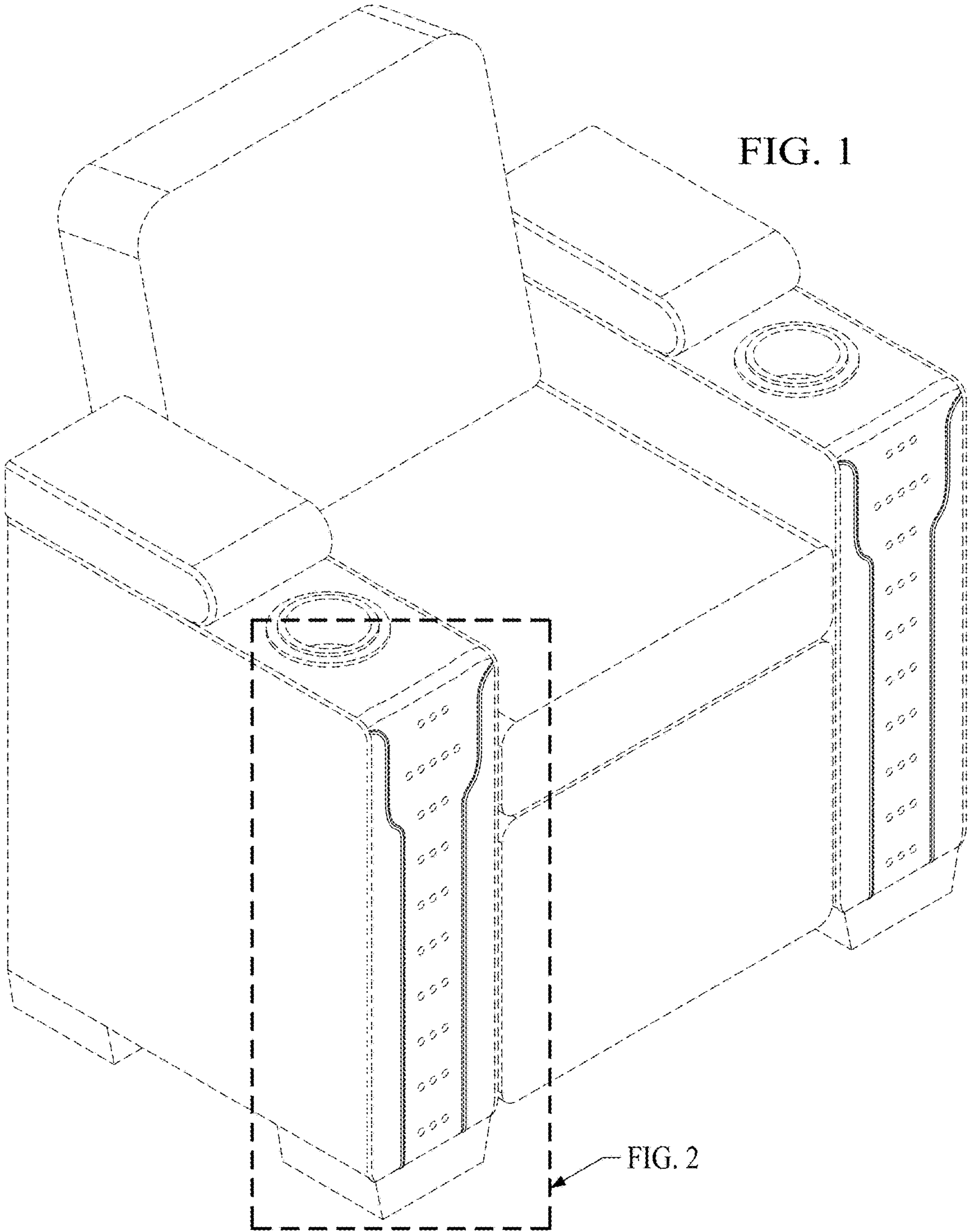
1 Claim, 4 Drawing Sheets

(56) **References Cited**

U.S. PATENT DOCUMENTS

D105,664 S *	8/1937	Jiranek	D6/334
D274,871 S *	7/1984	Matthias	D6/372
D329,146 S *	9/1992	Neal	D6/336





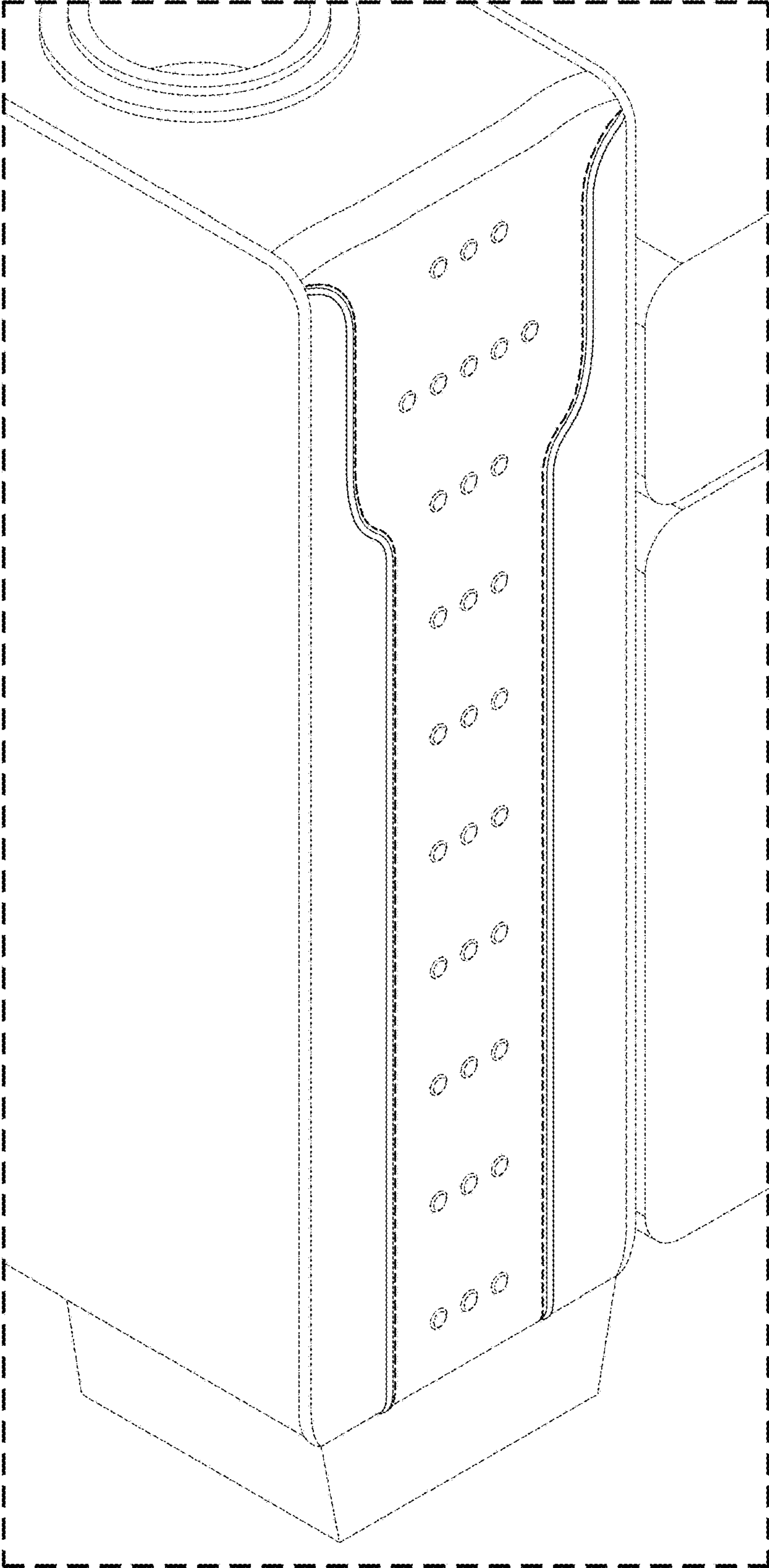


FIG. 2

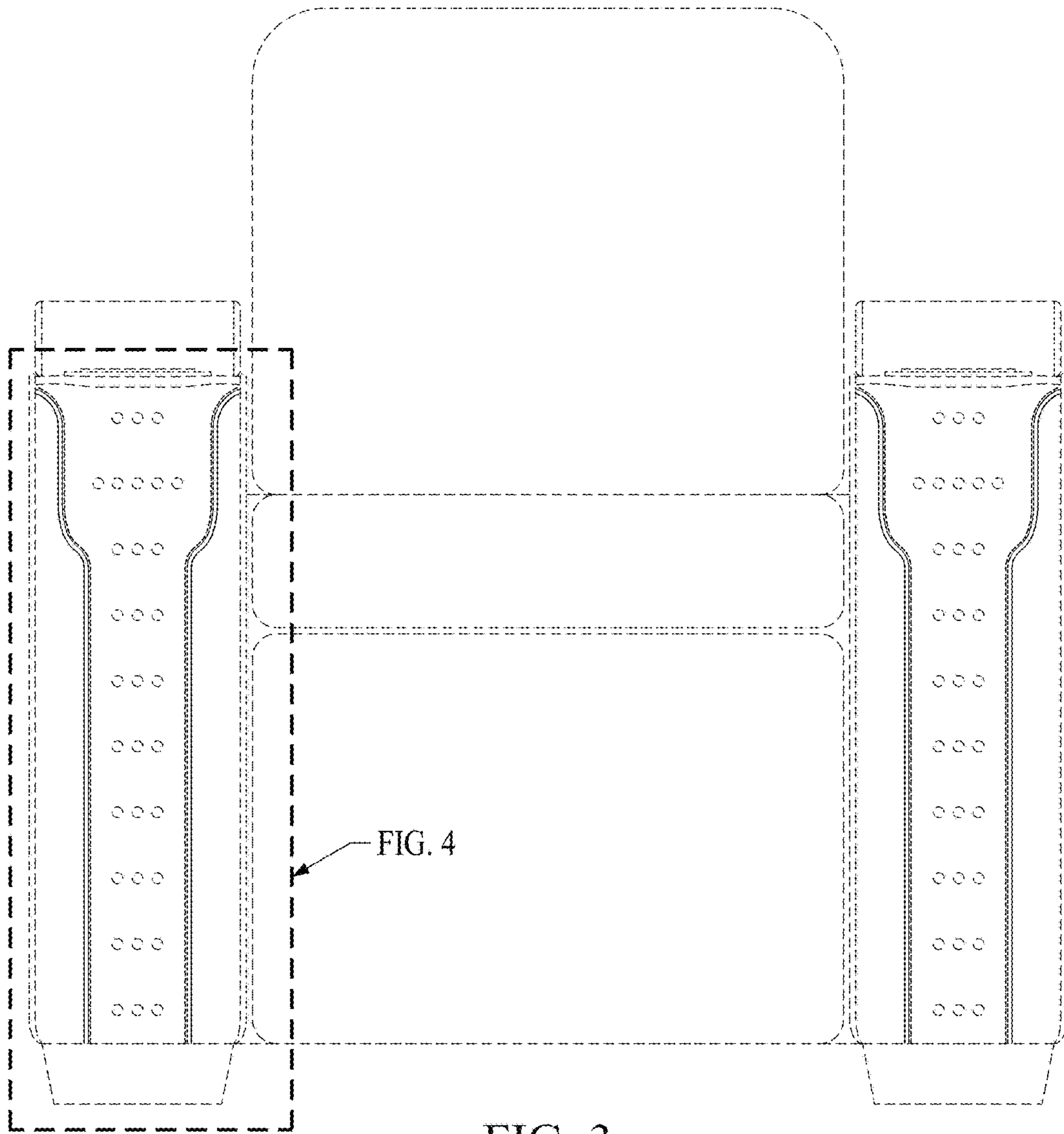


FIG. 3

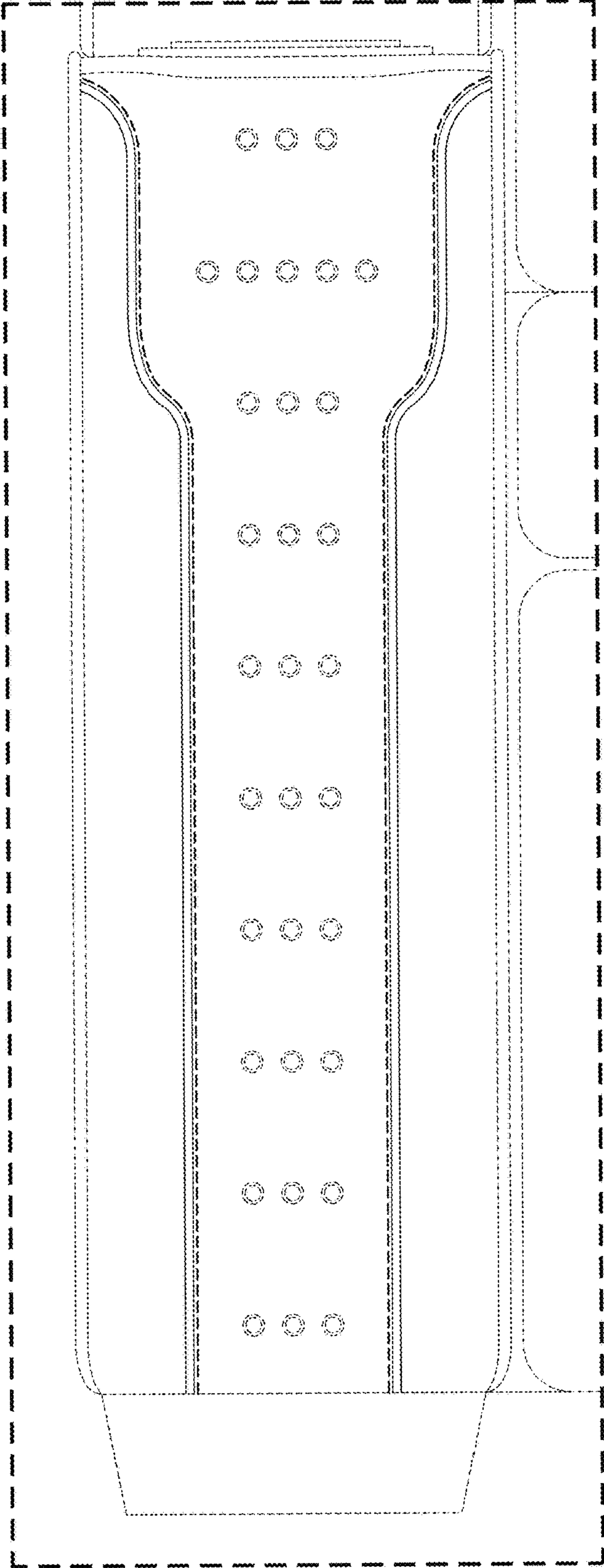


FIG. 4