



US00D849423S

(12) **United States Design Patent** (10) **Patent No.:** **US D849,423 S**
Miller (45) **Date of Patent:** **** May 28, 2019**

(54) **RECOGNITION AWARD**

(71) Applicant: **Fox Group, Inc.**, New Albany, IN (US)

(72) Inventor: **David E. Miller**, New Albany, IN (US)

(73) Assignee: **Fox Group, Inc.**, New Albany, IN (US)

(**) Term: **15 Years**

(21) Appl. No.: **29/604,221**

(22) Filed: **May 16, 2017**

(51) **LOC (11) Cl.** **06-07**

(52) **U.S. Cl.**

USPC **D6/302**

(58) **Field of Classification Search**

USPC D11/95-100, 105, 106, 108, 110, 116,
D11/132; D14/485-490, 492-493;

(Continued)

(56) **References Cited**

U.S. PATENT DOCUMENTS

D138,747 S * 9/1944 Parker D6/302
2,998,126 A * 8/1961 Jenkins A47G 1/12
206/0.83

(Continued)

OTHER PUBLICATIONS

Bruce Fox Award—The Drinkwell found online [Aug. 1, 2018]—
<https://brucefox.com/new-drinkwell/>.*

Primary Examiner — Brandon M Rosati

Assistant Examiner — John A Voytek

(74) *Attorney, Agent, or Firm* — Eric J. Sosenko;

Jonathan P. O'Brien; Honigman LLP

(57) **CLAIM**

The ornamental design for a recognition award, as shown and described.

DESCRIPTION

FIG. 1 is a top perspective view of a recognition award, showing my new design;

FIG. 2 is bottom perspective view of the recognition award seen in FIG. 1;

FIG. 3 is a top plan view of the recognition award seen in FIG. 1;

FIG. 4 is a front elevational view of the recognition award seen in FIG. 1;

FIG. 5 is a left side elevational view of the recognition award seen in FIG. 1;

FIG. 6 is a right side elevational view of the recognition award seen in FIG. 1;

FIG. 7 is a rear elevational view of the recognition award seen in FIG. 1;

FIG. 8 is a bottom view of the recognition award seen in FIG. 1;

FIG. 9 is a top perspective view of a second embodiment of a recognition award, showing my new design;

FIG. 10 is bottom perspective view of the recognition award seen in FIG. 9;

FIG. 11 is a top plan view of the recognition award seen in FIG. 9;

FIG. 12 is a front elevational view of the recognition award seen in FIG. 9;

FIG. 13 is a left side elevational view of the recognition award seen in FIG. 9;

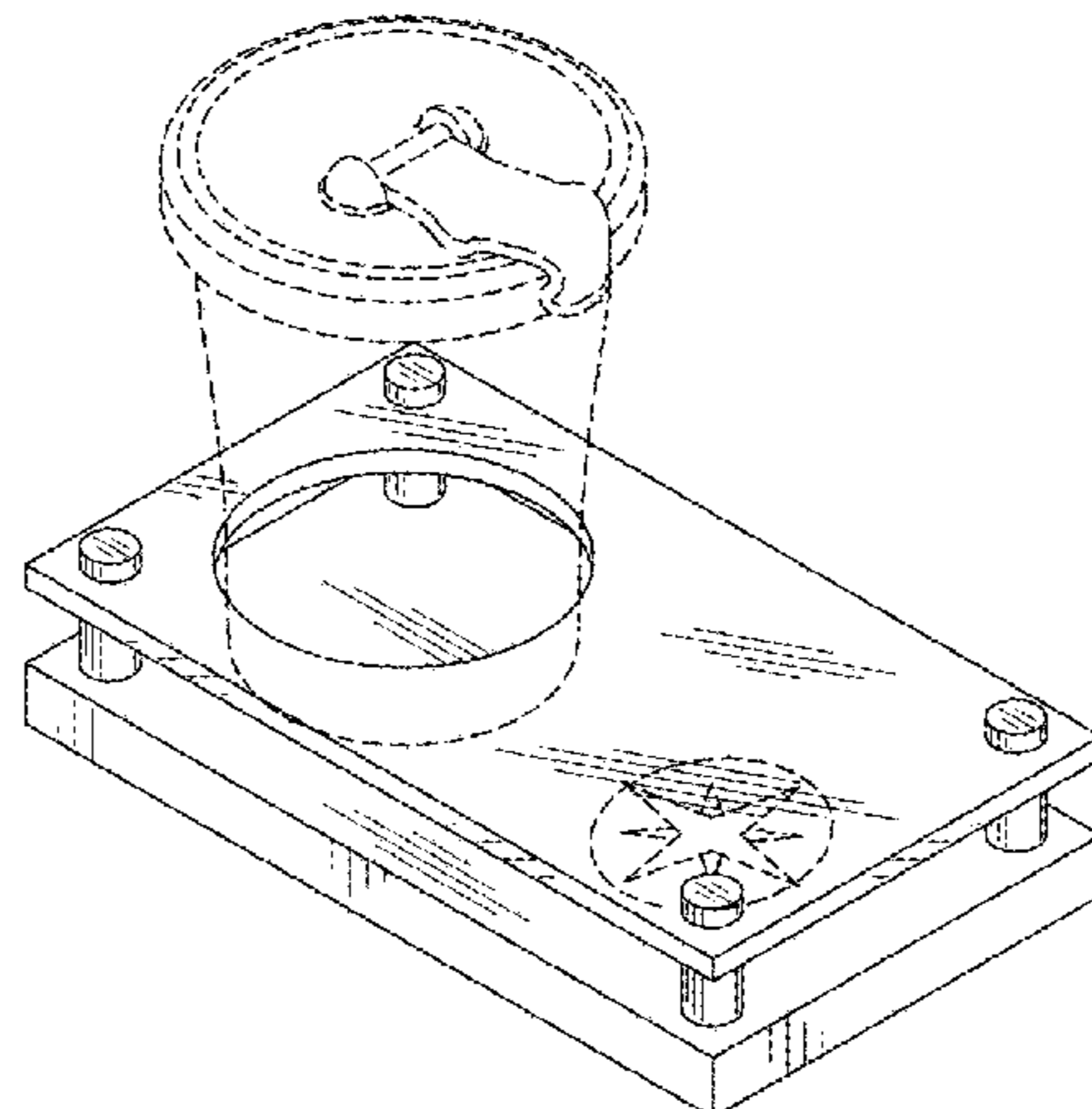
FIG. 14 is a right side elevational view of the recognition award seen in FIG. 9;

FIG. 15 is a rear elevational view of the recognition award seen in FIG. 9; and,

FIG. 16 is a bottom view of the recognition award seen in FIG. 9.

In the drawings, the broken lines depict environmental subject matter only and form no part of the claimed design. Shade lines having a combination of long and short lines in the figures show contour and not surface ornamentation.

1 Claim, 6 Drawing Sheets



US D849,423 S

Page 2

(58) **Field of Classification Search**

USPC D8/103; D9/444, 758; D19/2; D21/480;
63/1, 3, 13, 14; D3/304; D6/301, 302,
D6/304, 663; D99/34
CPC A44C 7/00; A44C 7/002; H01H 13/70;
Y10S 273/30

See application file for complete search history.

D518,300 S * 4/2006 Dele-Ogunrinde D6/301
D569,575 S * 5/2008 Yalinkaya D99/34
7,437,846 B2 * 10/2008 Franco A47G 1/065
206/449
D587,019 S * 2/2009 Seckinger D6/302
D589,787 S * 4/2009 Ruybal D99/34
D662,275 S * 6/2012 Klauka D99/34
8,376,133 B2 * 2/2013 Macor B65D 85/58
206/0.8

(56) **References Cited**

U.S. PATENT DOCUMENTS

D335,752 S * 5/1993 De La Salud D99/34
5,230,172 A * 7/1993 Hsu A47G 1/06
248/497
D359,255 S * 6/1995 Williams D11/132
D418,984 S * 1/2000 Koconis D6/300
D423,757 S * 4/2000 Briggs D99/34
D482,908 S * 12/2003 Kim D3/304
6,814,227 B2 * 11/2004 Seligman A47G 1/12
206/0.82

9,888,769 B1 * 2/2018 Mroue A47B 47/0083
2002/0174584 A1 * 11/2002 White A47G 1/0616
40/800
2004/0182735 A1 * 9/2004 Lombardi B65D 73/0014
206/461
2005/0252807 A1 * 11/2005 Bott B65D 73/0092
206/389
2016/0157605 A1 * 6/2016 Grad A47B 47/0083
108/189
2016/0331135 A1 * 11/2016 Knudson A47B 47/0091

* cited by examiner

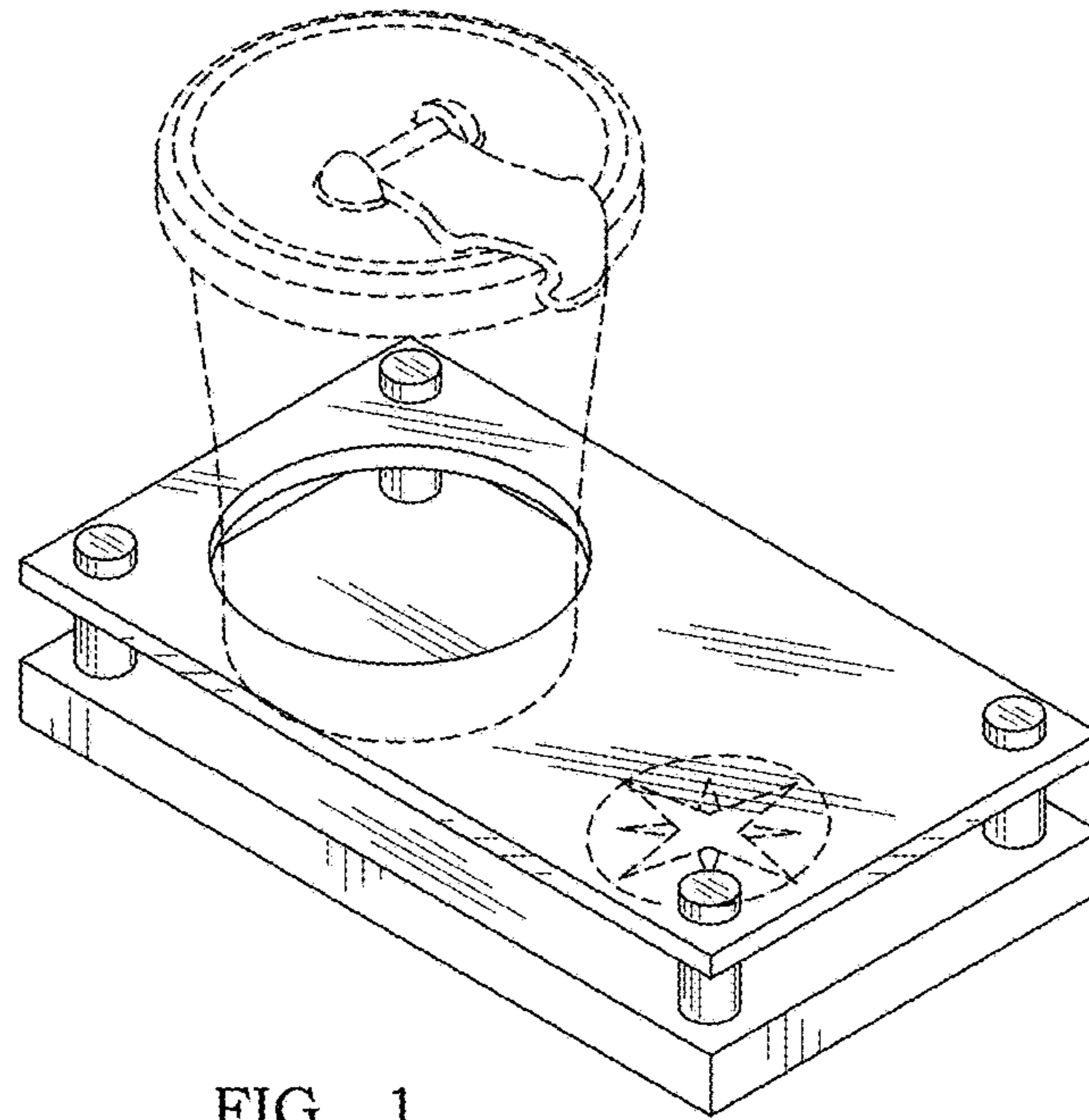


FIG. 1

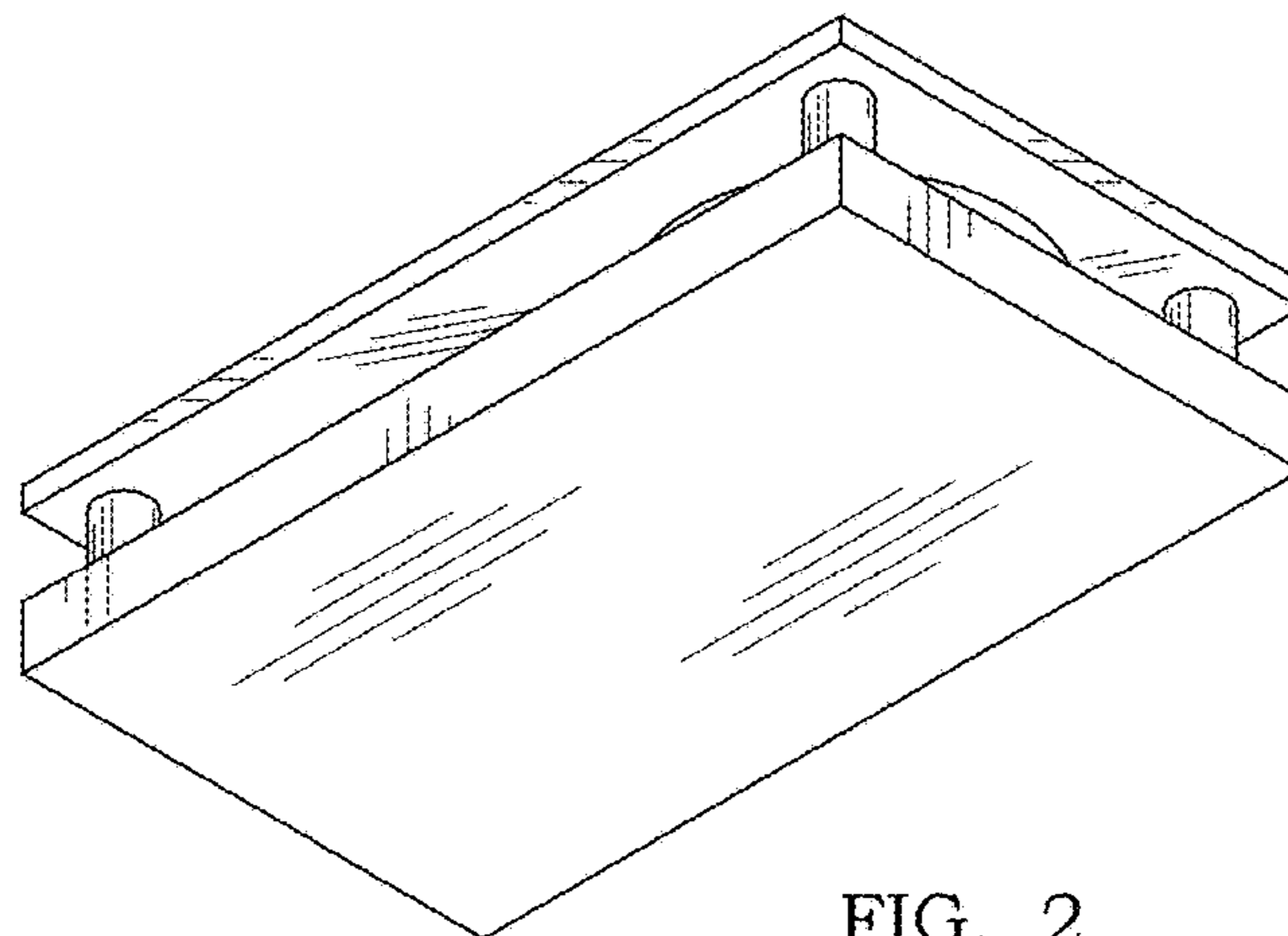


FIG. 2

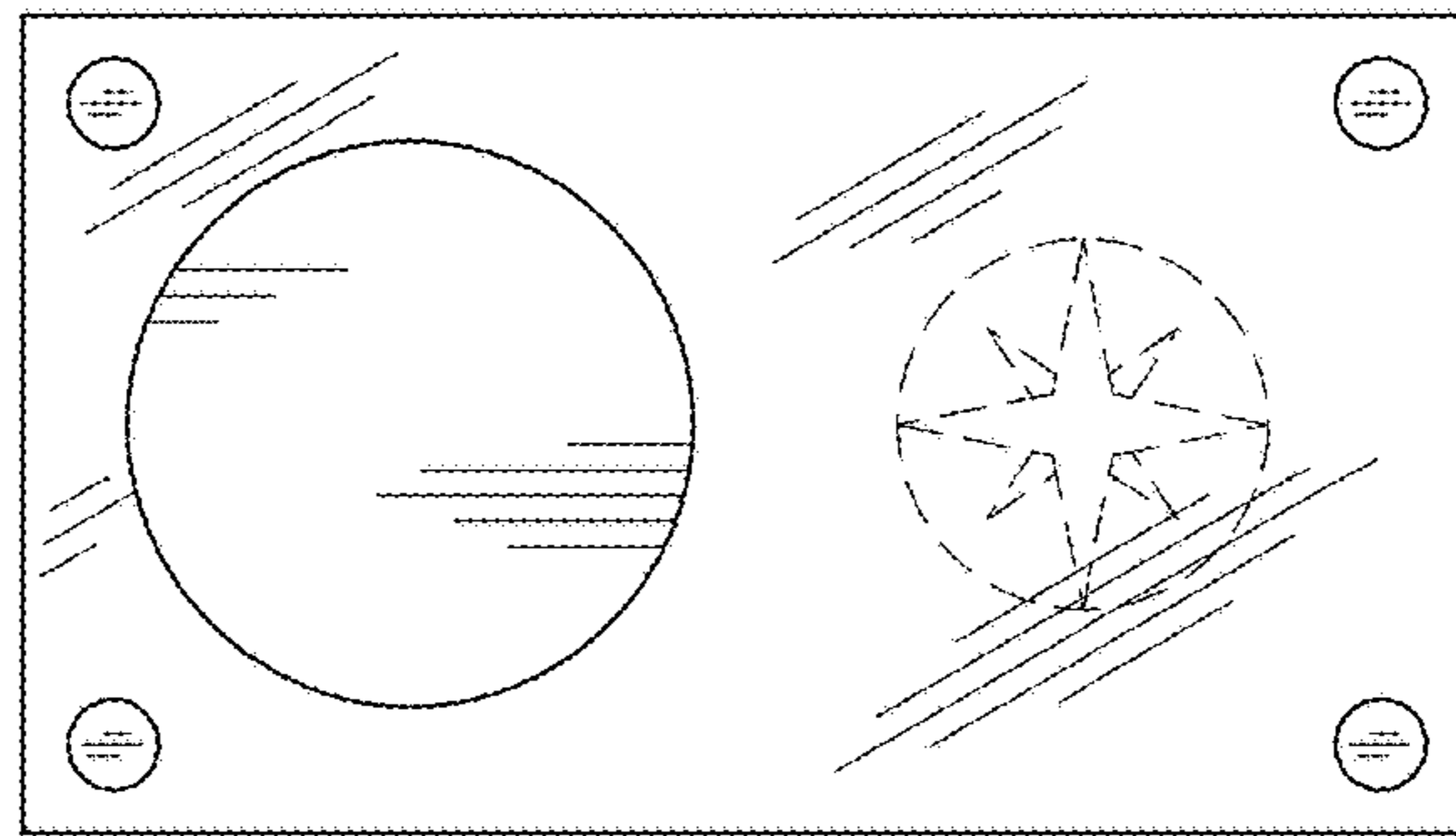


FIG. 3

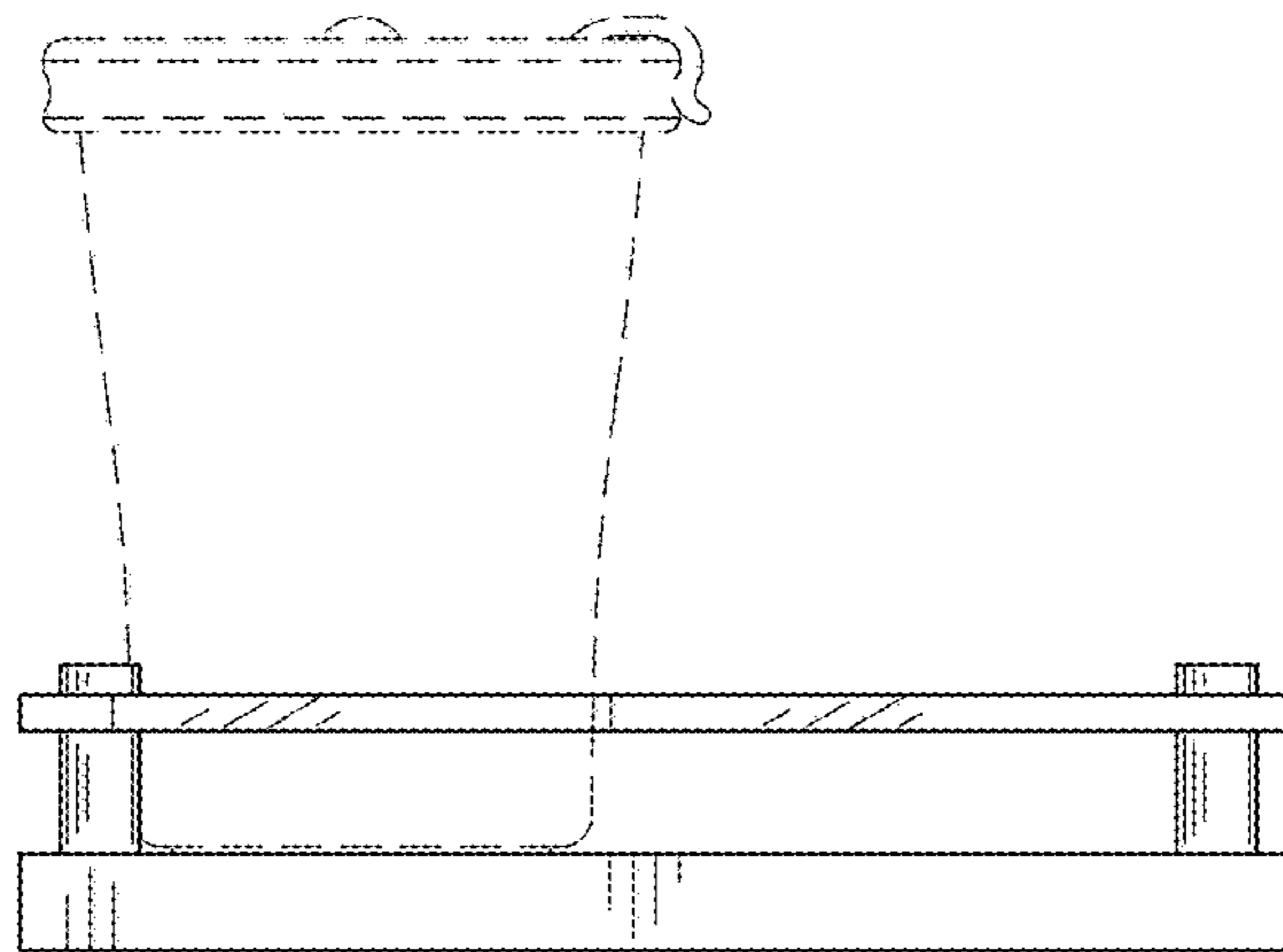


FIG. 4

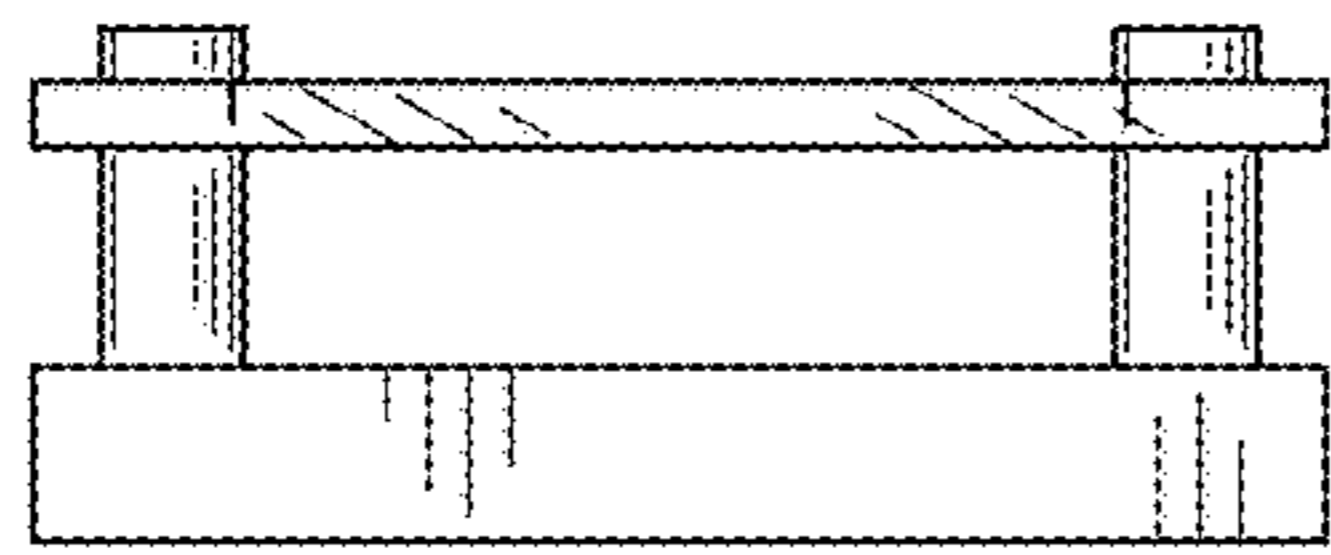


FIG. 5

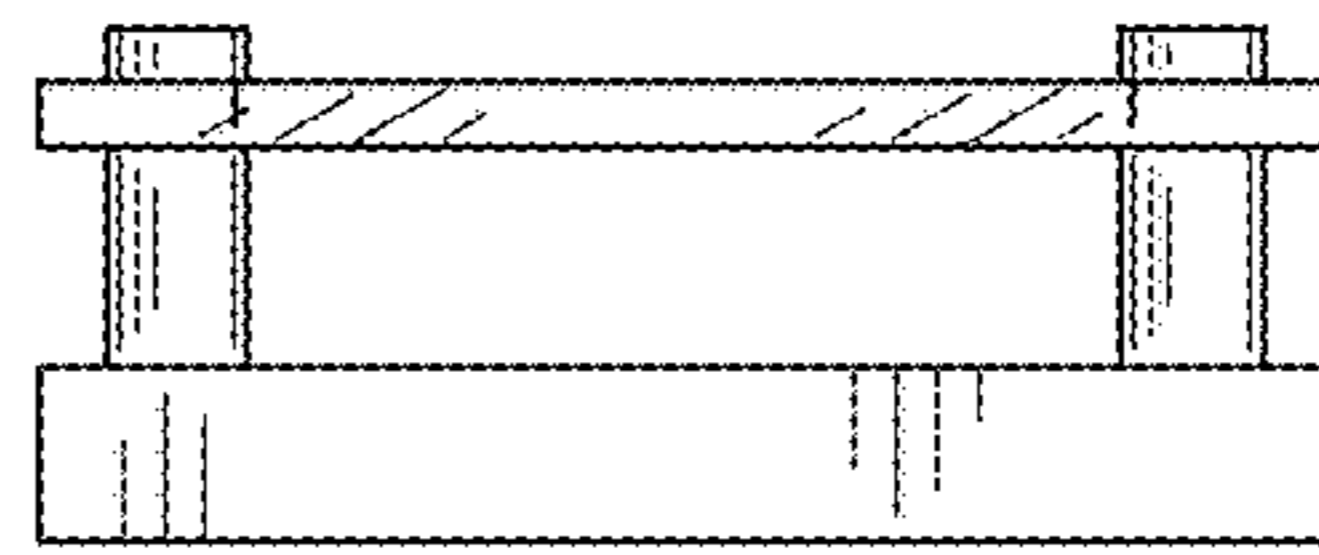


FIG. 6

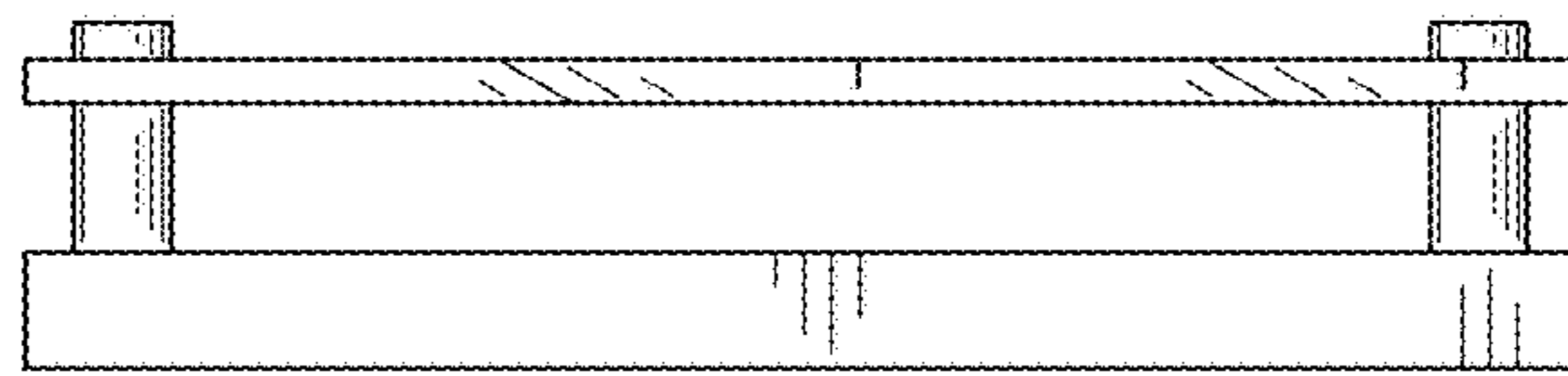


FIG. 7

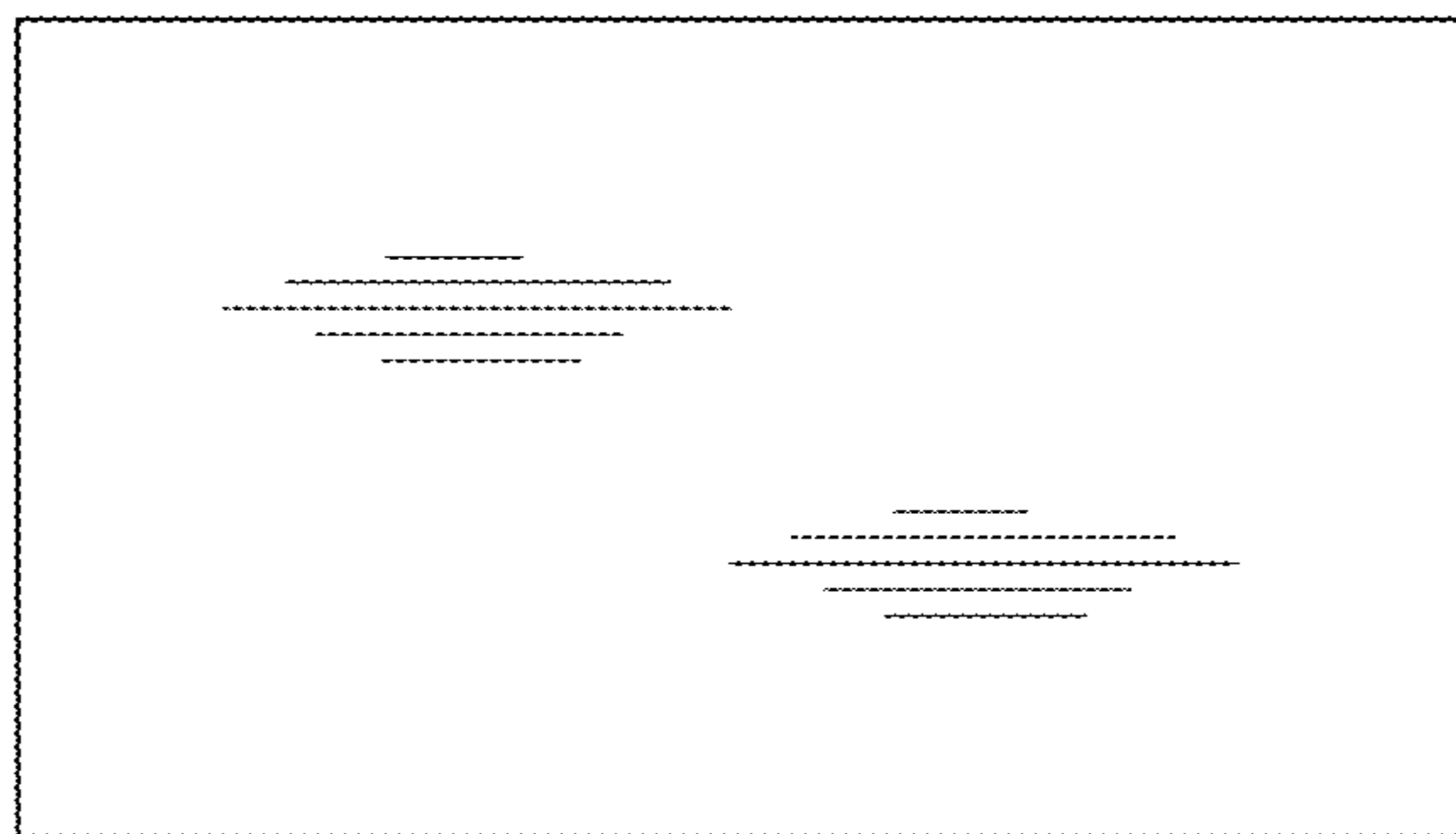


FIG. 8

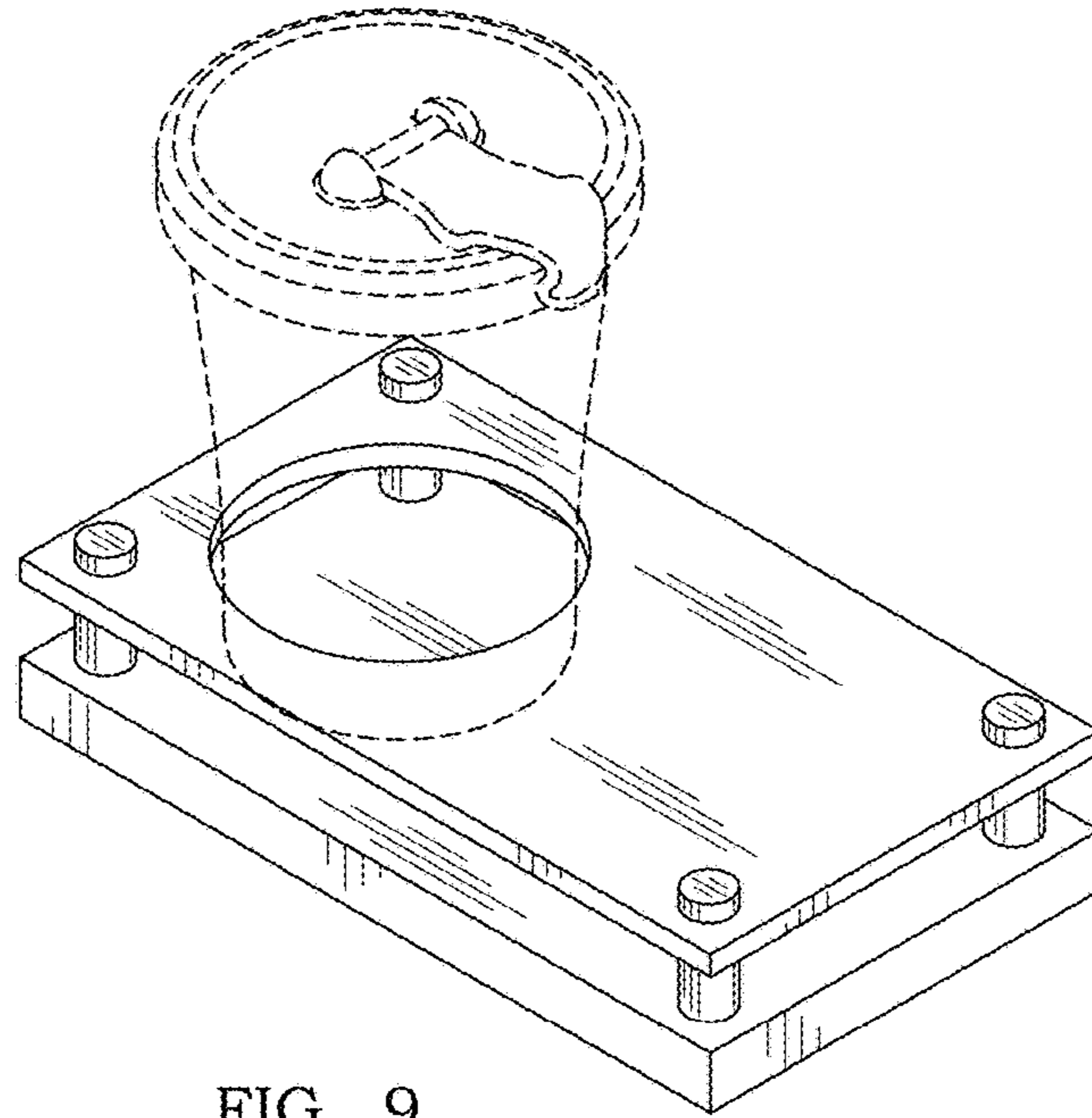


FIG. 9

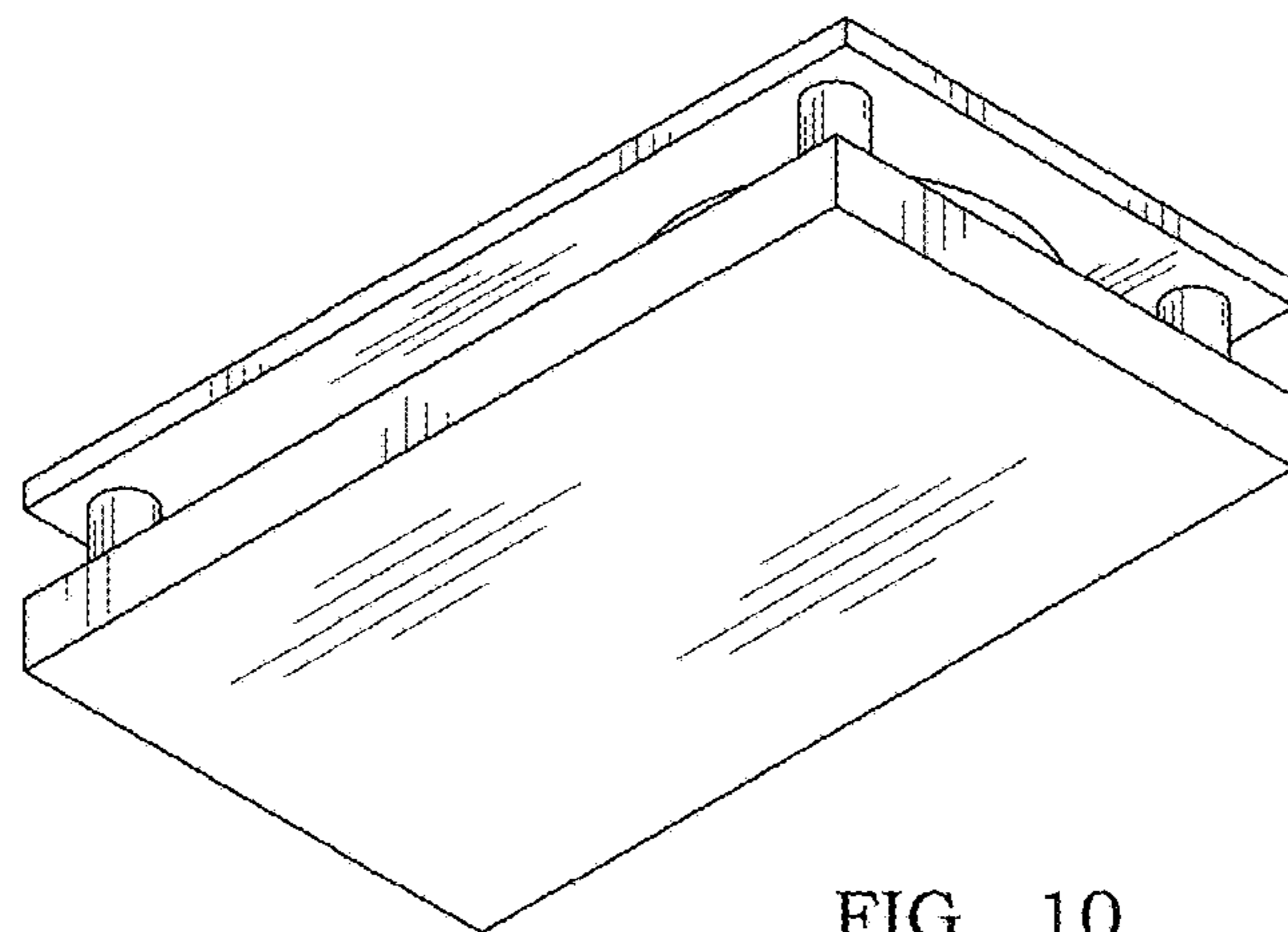


FIG. 10

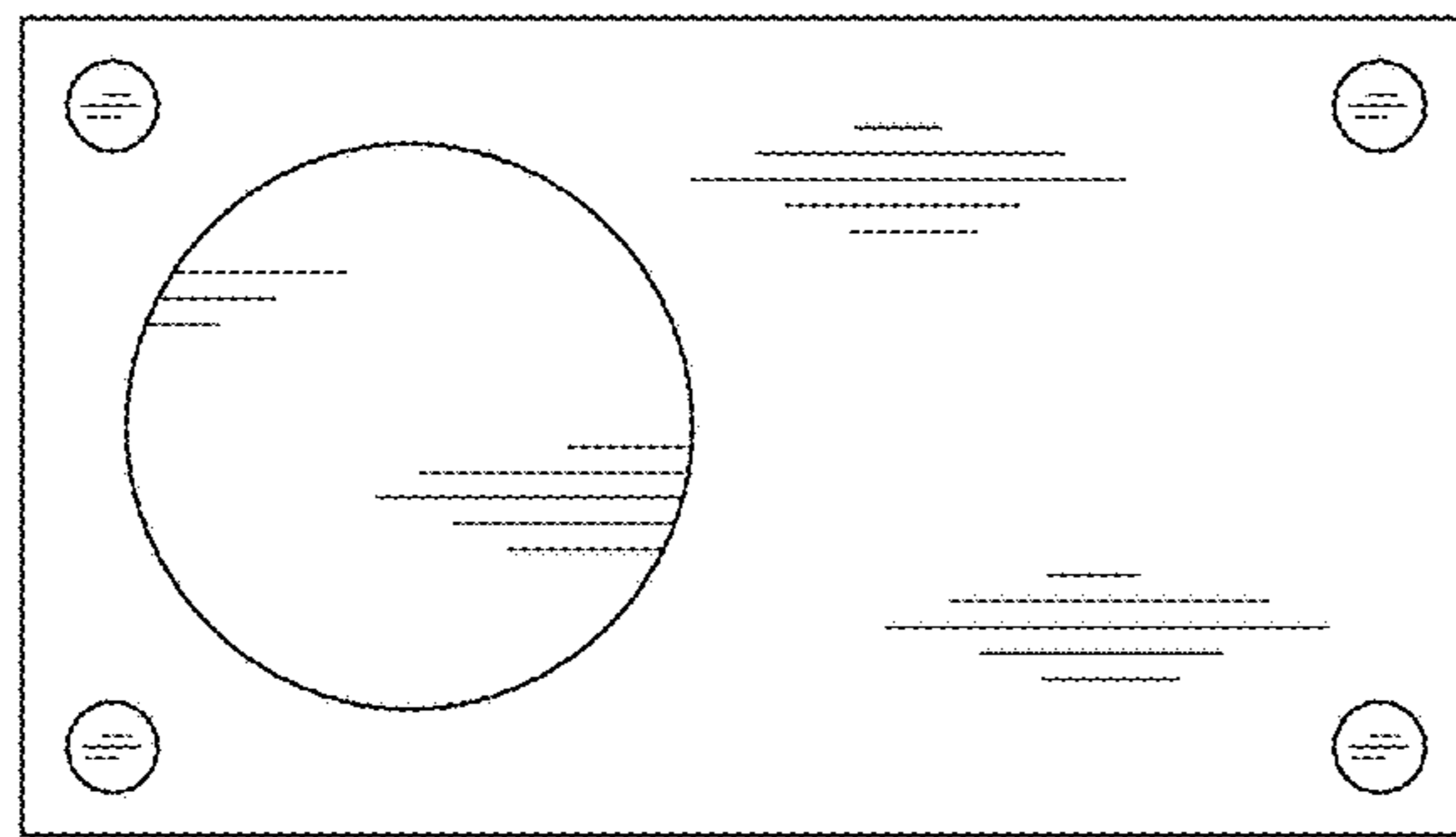


FIG. 11

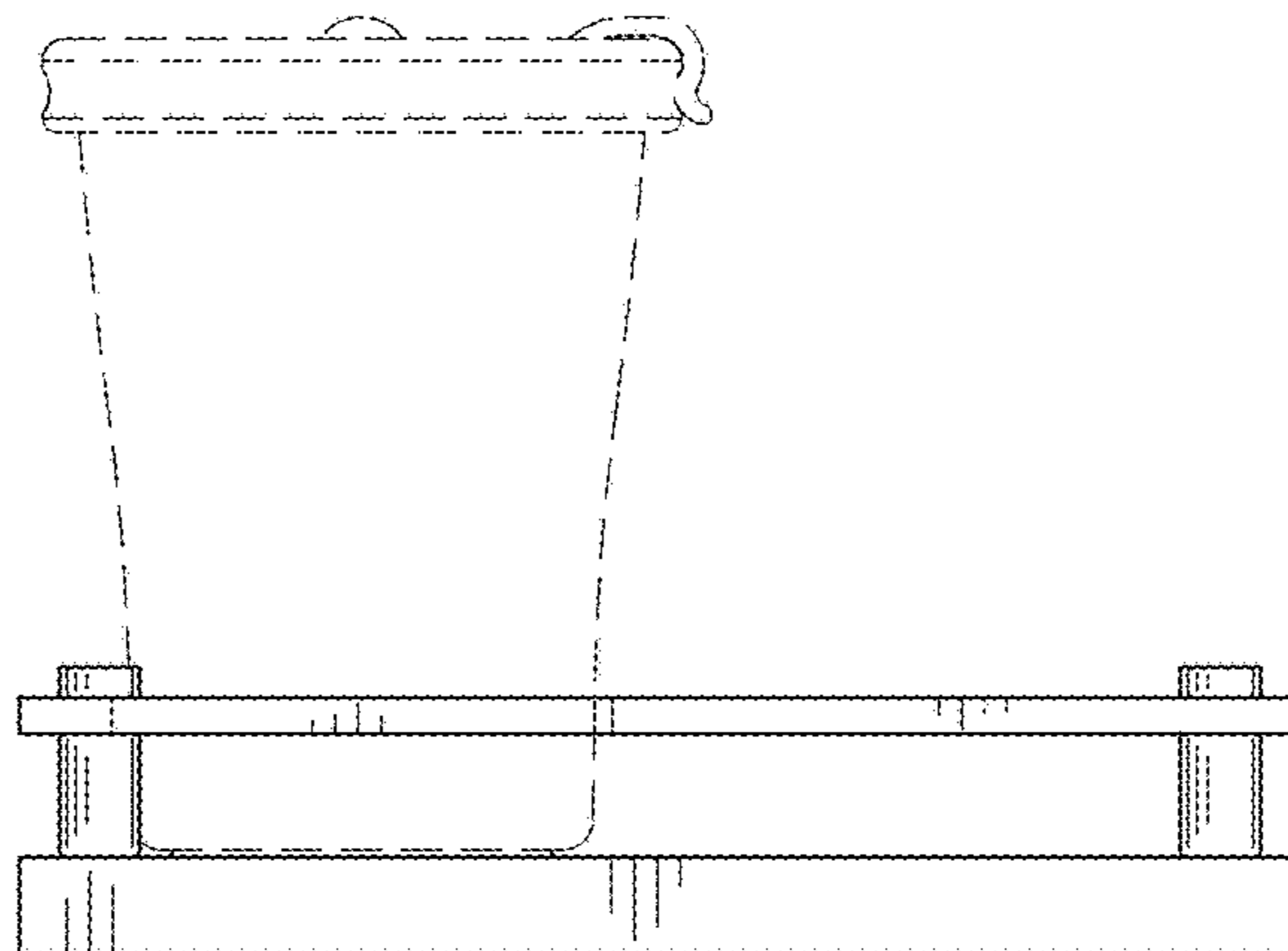


FIG. 12

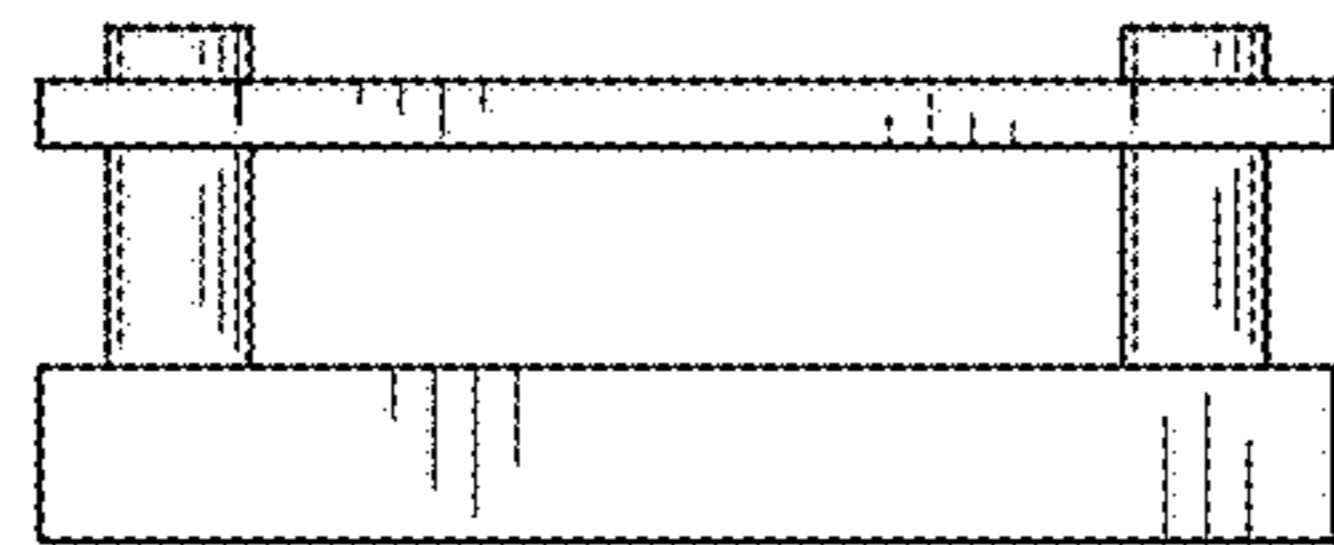


FIG. 13

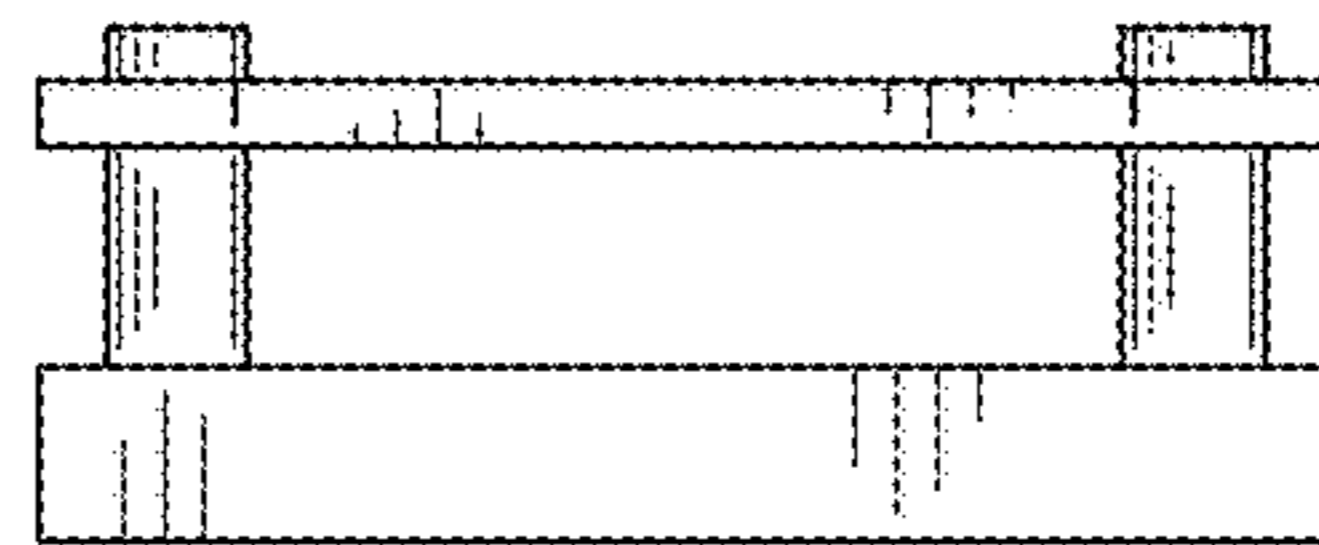


FIG. 14

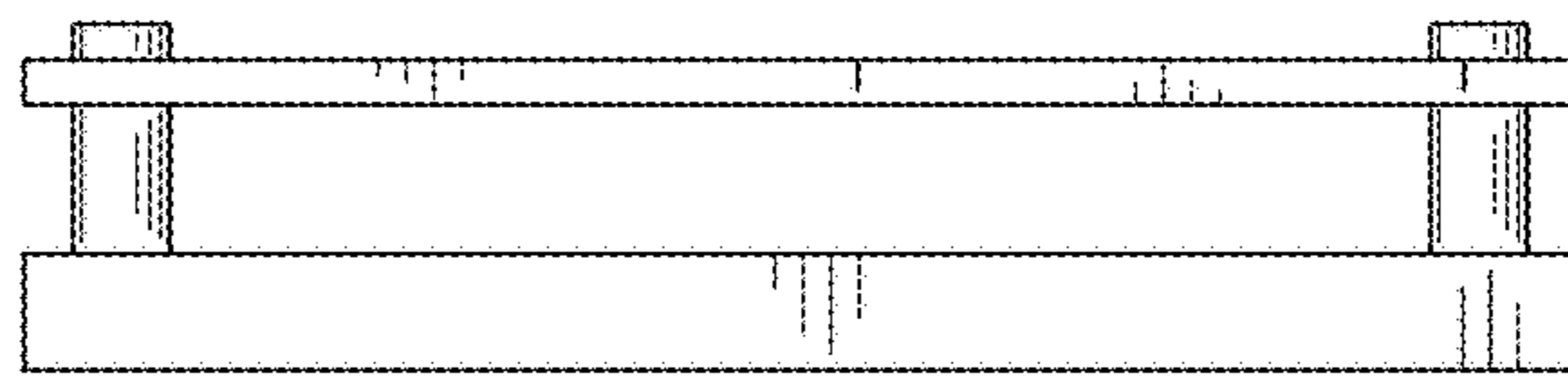


FIG. 15

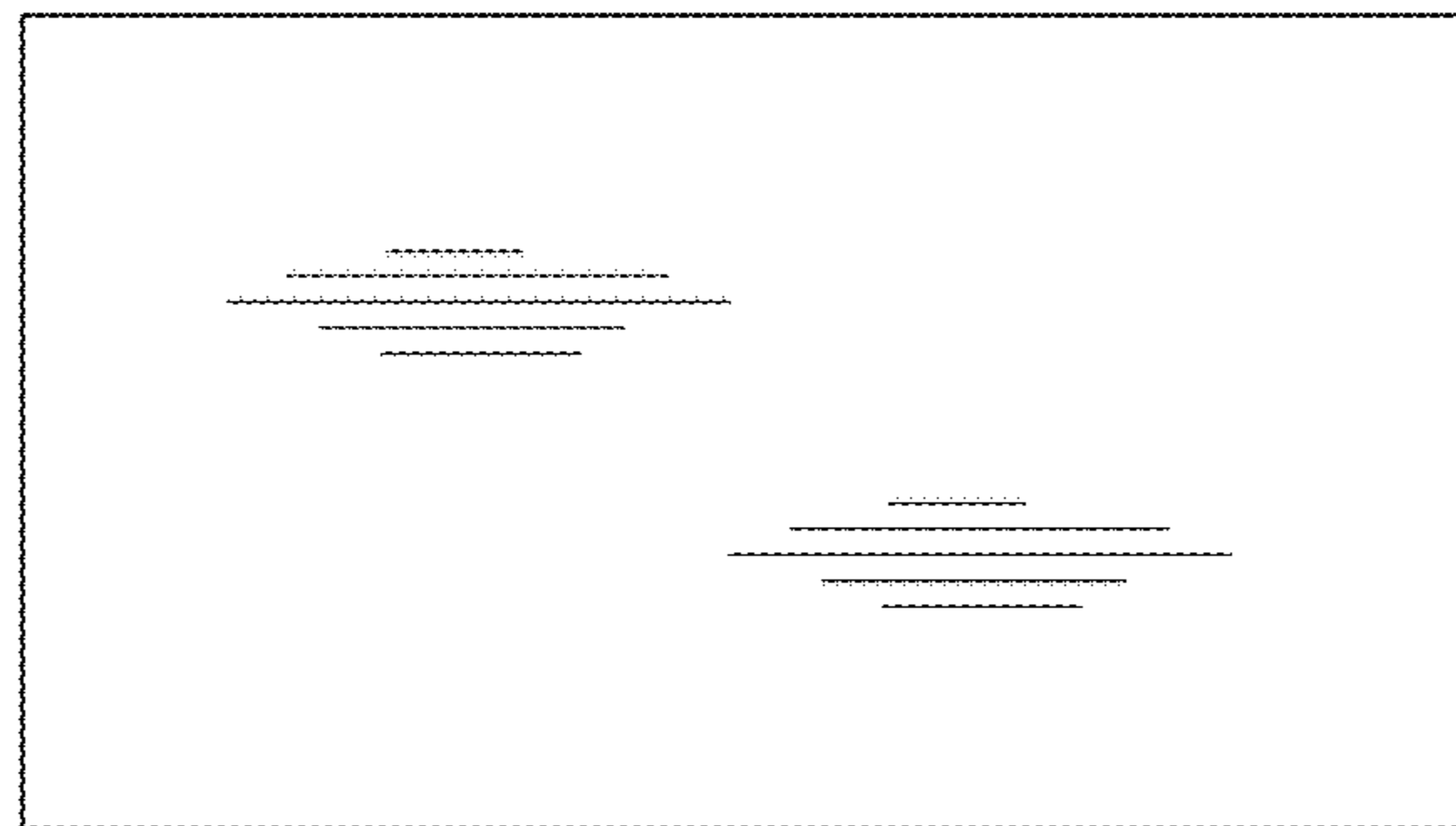


FIG. 16