



US00D849422S

(12) **United States Design Patent**
Tai et al.

(10) **Patent No.:** **US D849,422 S**
(45) **Date of Patent:** **** May 28, 2019**

(54) **COMPOSITE SUBSTRATE FOR ACOUSTIC WAVE DEVICE**

(71) Applicant: **NGK INSULATORS, LTD.**, Aichi-ken (JP)

(72) Inventors: **Tomoyoshi Tai**, Aichi-ken (JP); **Yuji Hori**, Aichi-ken (JP)

(73) Assignee: **NGK INSULATORS, LTD.**, Aichi-ken (JP)

(**) Term: **15 Years**

(21) Appl. No.: **29/581,281**

(22) Filed: **Oct. 18, 2016**

Related U.S. Application Data

(62) Division of application No. 29/529,571, filed on Jun. 9, 2015, now Pat. No. Des. 809,804.

(30) **Foreign Application Priority Data**

Dec. 17, 2017 (JP) 2014-028119

(51) **LOC (11) Cl.** **05-06**

(52) **U.S. Cl.**
USPC **D5/99**

(58) **Field of Classification Search**

USPC D5/1, 14, 20, 26, 43, 46, 47, 52, 55, 56, D5/58-64, 99, 53; D6/582, 583, 592, D6/602, 613, 617, 619, 622; D20/27, 28; D25/138, 150, 151, 156; D24/124, 126; D7/624.1; D13/182
CPC B44F 3/00; B44F 7/00; D03D 3/00; D03D 9/00; D03D 15/00; D06N 7/00; D21F 1/0027; D21H 5/02; D21H 27/02; F41H 3/02

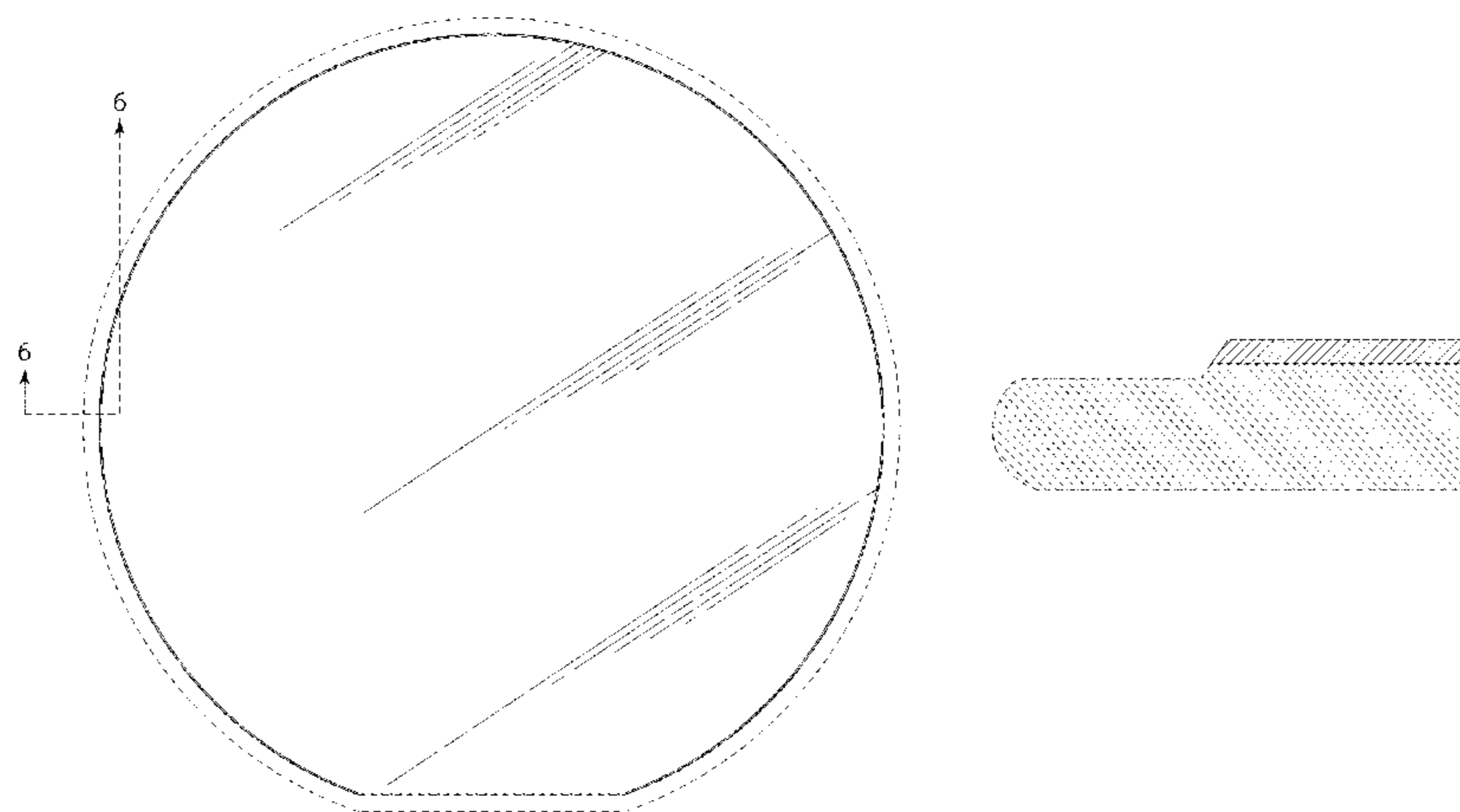
See application file for complete search history.

(56) **References Cited**

U.S. PATENT DOCUMENTS

2,492,618 A 12/1949 Bowie
D214,233 S 5/1969 Mox

4,308,782 A * 1/1982 Hartry G10D 13/027 84/414
D267,220 S 12/1982 Cronheim
4,362,389 A * 12/1982 Koizumi G03F 9/70 356/150
4,385,838 A * 5/1983 Nakazawa G03F 9/70 250/491.1
4,423,959 A * 1/1984 Nakazawa B23K 26/042 356/400
4,676,193 A * 6/1987 Martin C23C 14/042 118/504
4,699,515 A * 10/1987 Tanimoto G03F 9/70 356/401
4,814,829 A * 3/1989 Kosugi G03F 9/7023 355/43
4,833,621 A * 5/1989 Umatate G03F 9/70 356/401
5,091,248 A * 2/1992 Belli B32B 27/12 442/149
D353,343 S * 12/1994 Eberhardt D10/104.1
D356,747 S 3/1995 Yuen
D357,388 S 4/1995 Gaffin
5,502,311 A * 3/1996 Imai G03F 7/70858 250/548
5,581,044 A * 12/1996 Belli B32B 27/12 84/414
5,596,204 A * 1/1997 Irie G03F 9/70 250/548
5,648,854 A * 7/1997 McCoy G03F 7/7075 250/548
D393,488 S * 4/1998 Sakko D20/28
5,737,441 A * 4/1998 Nishi G06K 9/3216 347/3
5,881,165 A * 3/1999 Tanaka G03F 9/70 382/151
5,989,114 A 11/1999 Donahue et al.
6,078,738 A * 6/2000 Garza G03F 1/36 382/144
6,225,012 B1 * 5/2001 Nishi G03F 7/70691 430/22
6,278,957 B1 * 8/2001 Yasuda G03F 9/7003 702/127
6,297,177 B1 * 10/2001 Belli G10D 13/027 442/242
D459,094 S 6/2002 Stone et al.
D471,231 S * 3/2003 Mayo D19/181
D483,574 S 12/2003 Wanek et al.
6,782,525 B2 * 8/2004 Garza G03F 1/36 382/144
6,876,946 B2 * 4/2005 Yasuda G03F 9/7003 250/548



US D849,422 S

Page 2

6,887,141	B1	5/2005	Lin	
D513,940	S	1/2006	Kolflat	
D529,000	S	9/2006	Ishii	
D532,142	S	11/2006	Matsui et al.	
D537,299	S	2/2007	Mason	
D541,595	S	5/2007	Barnes	
D544,452	S	6/2007	Nakamura et al.	
D555,112	S	11/2007	Yen	
D575,169	S	8/2008	Wakamatsu et al.	
D577,208	S	9/2008	Thompson	
D577,690	S	9/2008	Shida et al.	
D591,096	S	4/2009	Lubart	
7,514,841	B1	4/2009	Cobianu et al.	
D603,726	S	11/2009	Watanabe et al.	
D606,952	S *	12/2009	Lee	D13/182
7,667,369	B2	2/2010	Haskell et al.	
D614,593	S	4/2010	Lee et al.	
7,740,928	B2	6/2010	Mehta et al.	
D639,534	S	6/2011	Cho	
D651,991	S *	1/2012	Nishiguchi	D13/182
D658,451	S	5/2012	Jost	
D658,604	S	5/2012	Egawa et al.	
8,240,015	B2	8/2012	Sakashita et al.	
8,264,303	B2	9/2012	Suzuki	
8,288,918	B2	10/2012	Suzuki et al.	
8,421,314	B2	4/2013	Kobayashi et al.	
8,551,864	B2 *	10/2013	Hatsukawa	H01L 29/063 438/462
8,587,183	B2	11/2013	Chen et al.	
8,614,535	B2	12/2013	Tsuji et al.	
D700,584	S	3/2014	Bhat et al.	
D701,507	S	3/2014	Cope	
8,773,000	B2	7/2014	Shimizu	
8,828,306	B2 *	9/2014	Uchiyama	B23K 26/0823 264/482
8,865,567	B2 *	10/2014	Tamenori	H01L 21/782 438/460
8,866,365	B2	10/2014	Hori et al.	
8,871,612	B2 *	10/2014	Han	H01L 33/007 438/462
D720,313	S	12/2014	Flynn et al.	
8,981,531	B2	3/2015	Iwasaki et al.	
D739,106	S	9/2015	Hoying et al.	
9,159,901	B2	10/2015	Hori et al.	
D756,033	S *	5/2016	Gordon	D28/7
D757,453	S	5/2016	Palomba	
D761,232	S *	7/2016	Smith	D13/168
9,390,955	B2	7/2016	Takagaki et al.	
D770,991	S *	11/2016	Nakano	D13/182
D784,253	S	4/2017	Aiken	
D791,091	S *	7/2017	Okada	D13/182
D792,962	S *	7/2017	Honeyball	D23/386
2001/0051245	A1	12/2001	Seifert	
2008/0236504	A1	10/2008	Silverman	
2010/0156241	A1	6/2010	Suzuki et al.	
2010/0182101	A1 *	7/2010	Suzuki	H03H 9/02015 333/193
2010/0244631	A1	9/2010	Kobayashi et al.	
2011/0041987	A1	2/2011	Hori et al.	
2011/0053470	A1	3/2011	Kato et al.	
2012/0126669	A1	5/2012	Kobayashi et al.	
2012/0161585	A1 *	6/2012	Nakahara	H01L 41/313 310/348
2014/0145558	A1	5/2014	Hori et al.	
2014/0191373	A1 *	7/2014	Iwasaki	H01L 21/76251 257/618
2015/0024520	A1 *	1/2015	Tanaka	H01L 22/12 438/14
2015/0042207	A1	2/2015	Hori et al.	
2015/0091416	A1 *	4/2015	Hori	H03H 9/02574 310/348
2015/0102707	A1	4/2015	Hori et al.	
2015/0328875	A1 *	11/2015	Hattori	B32B 38/10 310/313 R
2016/0079514	A1 *	3/2016	Tai	H03H 3/02 310/368
2016/0082240	A1	3/2016	Ueno et al.	

2016/0112029	A1 *	4/2016	Tai	H03H 9/02669 310/313 B
2016/0133823	A1 *	5/2016	Tai	H03H 9/02574 310/348
2017/0179371	A1 *	6/2017	Kitamura	B81C 1/00611
2018/0079690	A1 *	3/2018	Nomoto	C04B 37/00

FOREIGN PATENT DOCUMENTS

JP	2010-171955	A	8/2010
JP	2010-232725	A	10/2010
JP	2011-071967	A	4/2011
JP	2011-135535	A	7/2011
JP	2011-254354	A	12/2011
JP	2012-010054	A	1/2012
JP	2012-147424	A	8/2012

OTHER PUBLICATIONS

Notification of Reasons for Refusal for Japanese Patent App. No. 2014-028113 (Nov. 4, 2015) with English language translation thereof.

Notification of Reasons for Refusal for Japanese Patent App. No. 2014-028114 (Nov. 4, 2015) with English language translation thereof.

Notification of Reasons for Refusal for Japanese Patent App. No. 2014-028115 (Nov. 4, 2015) with English language translation thereof.

Notification of Reasons for Refusal for Japanese Patent App. No. 2014-028116 (Nov. 4, 2015) with English language translation thereof.

Notification of Reasons for Refusal for Japanese Patent App. No. 2014-028117 (Nov. 4, 2015) with English language translation thereof.

Notification of Reasons for Refusal for Japanese Patent App. No. 2014-028118 (Nov. 4, 2015) with English language translation thereof.

Notification of Reasons for Refusal for Japanese Patent App. No. 2014-028119 (Nov. 4, 2015) with English language translation thereof.

Notification of Reasons for Refusal for Japanese Patent App. No. 2014-028120 (Nov. 4, 2015) with English language translation thereof.

Office Action from co-pending U.S. Appl. No. 29/529,571, dated Jan. 6, 2017.

Office Action from U.S. Appl. No. 29/529,571 dated Jun. 12, 2017.

* cited by examiner

Primary Examiner — Karen S Acker
(74) *Attorney, Agent, or Firm* — Cermak Nakajima & McGowan LLP; Tomoko Nakajima

(57) CLAIM

The ornamental design for a composite substrate for acoustic wave device, as shown and described.

DESCRIPTION

FIG. 1 is a front view of a composite substrate for acoustic wave device showing our new design;
FIG. 2 is a back view thereof;
FIG. 3 is a top view thereof;
FIG. 4 is a bottom view thereof;
FIG. 5 is a right view thereof; a left view thereof being a right-and-left-reversed image; and,
FIG. 6 is an enlarged cross-sectional view taken along line 6-6 in FIG. 1.

The broken lines in the Drawings depict portions of the composite substrate for acoustic wave device that form no part of the claimed design.

1 Claim, 6 Drawing Sheets

FIG. 1

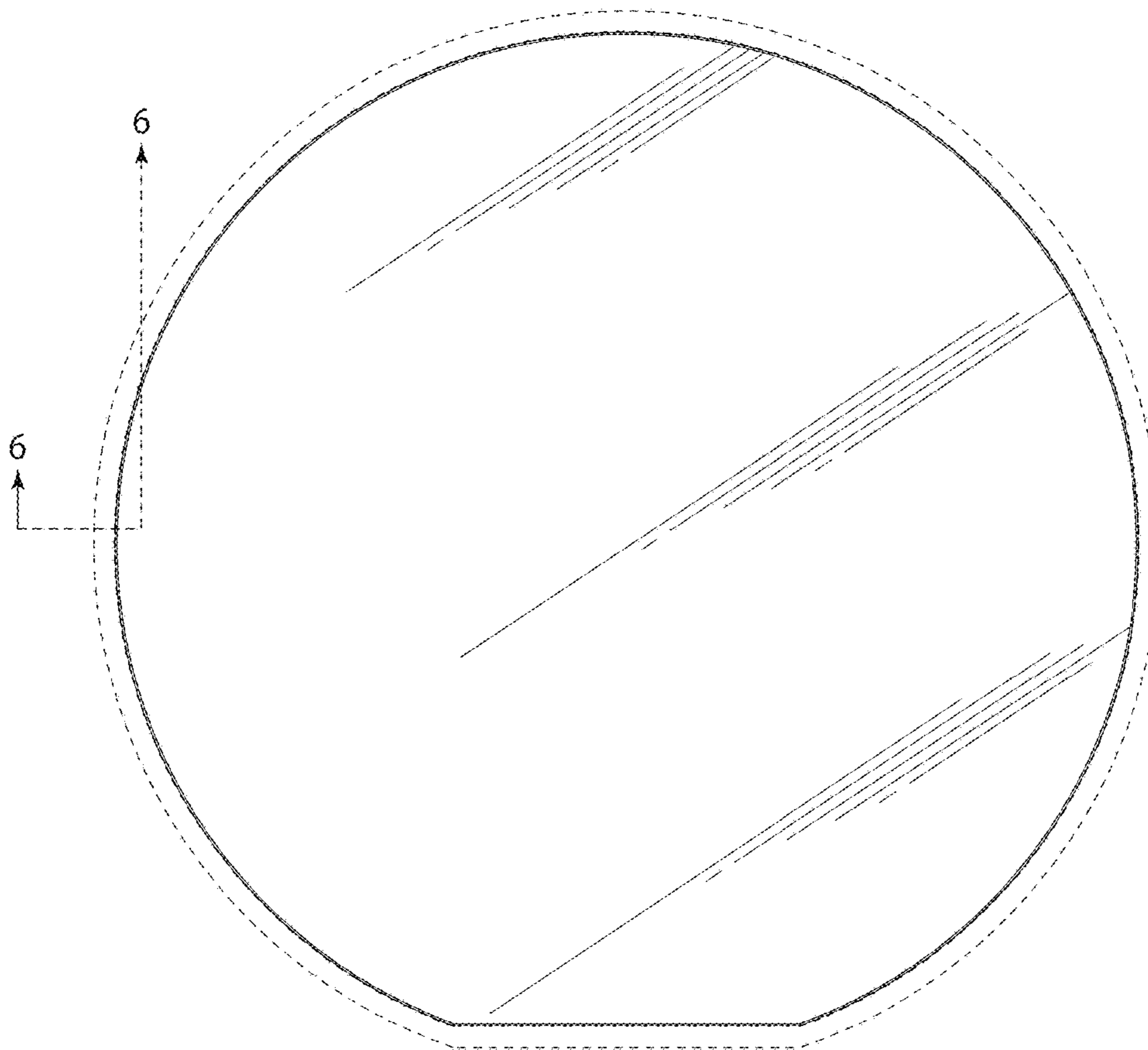


FIG.2

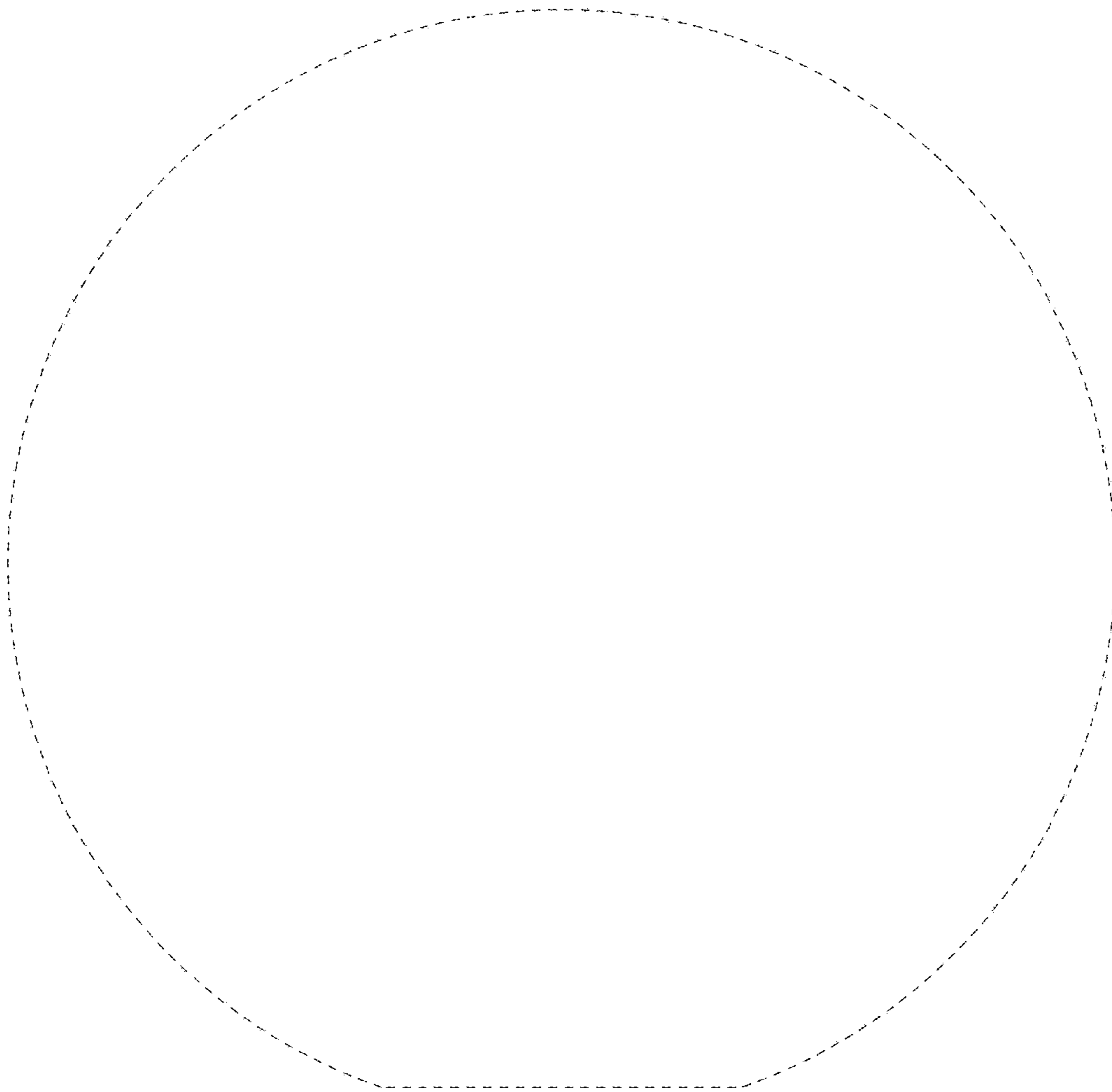


FIG.3

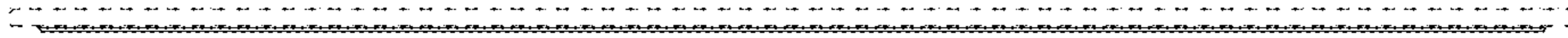


FIG.4

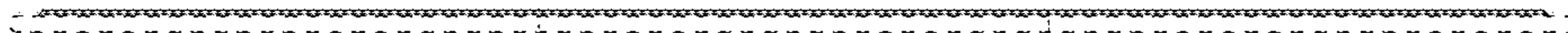


FIG. 5

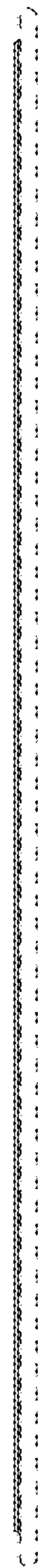


FIG.6

