



US00D849414S

(12) **United States Design Patent**  
**Lambertson, Jr. et al.**

(10) **Patent No.:** **US D849,414 S**

(45) **Date of Patent:** **\*\* May 28, 2019**

(54) **QUICK FIT ADJUSTMENT FOR EXTENSION POLE SYSTEM FOR A PAINT ROLLER**

(71) Applicant: **The Sherwin-Williams Company**,  
Cleveland, OH (US)

(72) Inventors: **Michael C. Lambertson, Jr.**, Aurora,  
OH (US); **Rita Forman-House**, Avon  
Lake, OH (US); **Dennis P. De Renzo,**  
**Jr.**, Concord Township, OH (US);  
**Michael O'Banion**, West Minister, MD  
(US); **Edward Ray Goodwin, Jr.**,  
Westlake, OH (US)

(73) Assignee: **SWIMC LLC**, Cleveland, OH (US)

(\*\*) Term: **14 Years**

(21) Appl. No.: **29/506,461**

(22) Filed: **Oct. 15, 2014**

**Related U.S. Application Data**

(63) Continuation of application No. 14/268,572, filed on  
May 2, 2014, now Pat. No. 9,346,077, which is a  
continuation-in-part of application No. 13/840,852,  
filed on Mar. 15, 2013, now Pat. No. 9,127,699.

(51) **LOC (11) Cl.** ..... **04-01**

(52) **U.S. Cl.**  
USPC ..... **D4/122**

(58) **Field of Classification Search**  
USPC ..... D4/122, 128, 138; 15/27, 104.002,  
15/143.1, 230.11; 16/110.1, 430;  
492/13, 14, 17, 19

CPC ..... B05C 17/0207; B29C 63/18; B29C 63/48;  
D04B 1/025

See application file for complete search history.

(56) **References Cited**

**U.S. PATENT DOCUMENTS**

3,049,367 A 8/1962 Lashta  
4,247,216 A 1/1981 Pansini

4,758,023 A \* 7/1988 Vermillion ..... F16L 37/252  
285/401

4,865,485 A 9/1989 Finnefrock, Sr.  
5,226,198 A \* 7/1993 Martin ..... B05C 17/0205  
135/76

5,288,161 A 2/1994 Graves  
5,385,420 A \* 1/1995 Newman, Sr. .... B25G 3/04  
15/145

D360,987 S \* 8/1995 Sorenson ..... D4/122  
5,471,701 A 12/1995 Parfenie  
5,692,856 A \* 12/1997 Newman, Jr. .... B25G 1/04  
403/109.5

5,842,810 A 12/1998 Morad  
5,911,258 A 6/1999 Morad  
5,933,966 A 8/1999 Yates et al.

(Continued)

**FOREIGN PATENT DOCUMENTS**

DE 804680 4/1951  
DE 202011106800 11/2011

**OTHER PUBLICATIONS**

International Search Report for International Patent Application No.  
PCT/US2014/025465 dated Jun. 25, 2014.

(Continued)

*Primary Examiner* — Austin Murphy

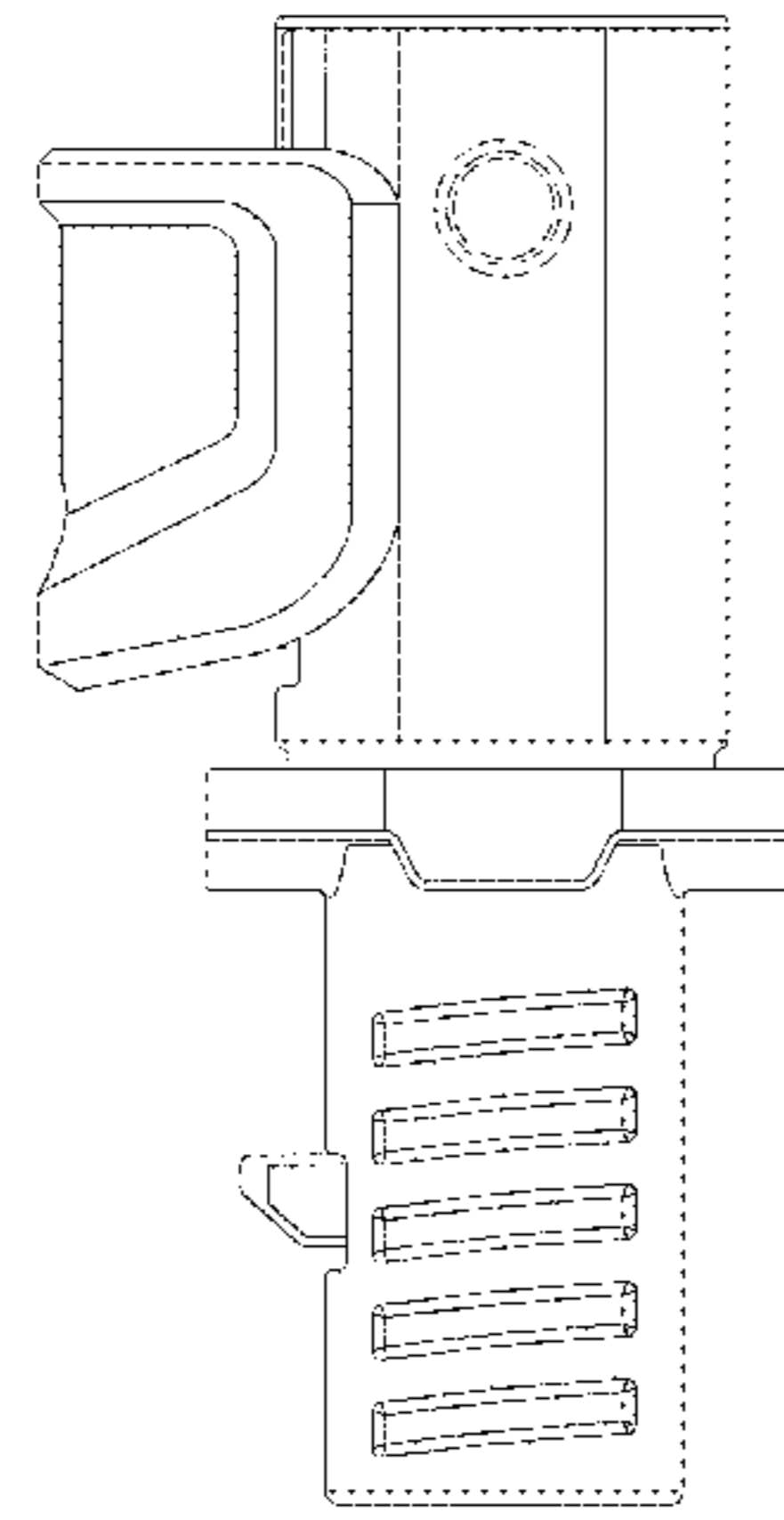
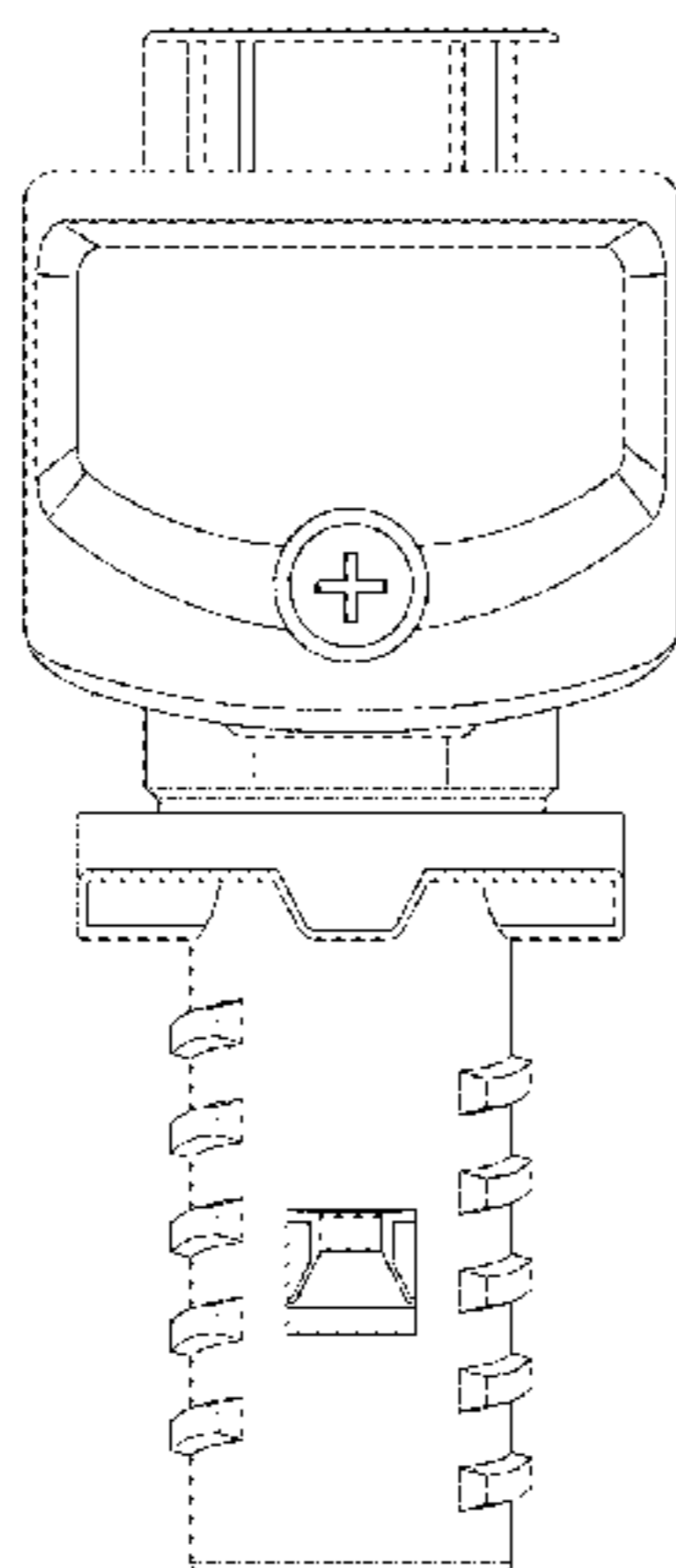
(57) **CLAIM**

The ornamental design for a quick fit adjustment for an  
extension pole system for a paint roller, as shown and  
described.

**DESCRIPTION**

FIG. 1 is a front view of a quick fit adjustment for an  
extension pole system for a paint roller; and,  
FIG. 2 is side view of a quick fit adjustment for an extension  
pole system for a paint roller.

**1 Claim, 2 Drawing Sheets**



(56)

References Cited

U.S. PATENT DOCUMENTS

5,992,423 A 11/1999 Tevolini  
 6,199,457 B1 3/2001 Hoff  
 6,439,617 B1 \* 8/2002 Boer ..... F16L 13/141  
 285/244  
 6,478,342 B1 \* 11/2002 Berfield ..... A47L 9/242  
 285/275  
 6,502,585 B1 1/2003 Mazzei et al.  
 6,874,201 B2 4/2005 Ta et al.  
 6,951,185 B1 \* 10/2005 Wiese ..... F16B 7/20  
 116/173  
 7,013,766 B2 \* 3/2006 Lee ..... B25B 23/0021  
 403/325  
 7,140,277 B1 \* 11/2006 Chern ..... B25B 23/0021  
 81/177.85  
 7,389,560 B2 \* 6/2008 Mertins, Jr. .... B05C 17/02  
 15/230.11  
 7,404,686 B2 \* 7/2008 Volum ..... F16L 37/098  
 285/370  
 7,435,030 B2 \* 10/2008 Atterbury ..... B05B 15/02  
 401/208  
 7,555,805 B2 7/2009 Lin  
 7,721,391 B2 \* 5/2010 Bukovitz ..... B25G 3/14  
 15/145  
 7,814,827 B2 \* 10/2010 Frenken ..... B25B 27/10  
 100/102  
 D695,018 S \* 12/2013 Gallardo ..... D4/122

8,769,764 B2 7/2014 Crouch et al.  
 8,777,931 B2 \* 7/2014 Davis ..... A61M 39/10  
 604/533  
 8,869,807 B2 10/2014 Olson  
 8,875,350 B2 \* 11/2014 Bukovitz ..... B25G 3/00  
 16/429  
 9,066,746 B2 \* 6/2015 Mirza ..... A61B 17/32002  
 9,127,703 B2 \* 9/2015 Lambertson, Jr. .... F16B 7/1409  
 9,179,930 B2 \* 11/2015 Mirza ..... A61B 17/32003  
 D753,923 S \* 4/2016 Pemberton ..... D4/122  
 D754,974 S \* 5/2016 Arvinte ..... D4/122  
 9,346,077 B2 \* 5/2016 Lambertson, Jr. .... B05B 15/06  
 9,347,472 B2 \* 5/2016 Lambertson, Jr. .... F16B 7/042  
 9,651,073 B2 \* 5/2017 Bukovitz ..... F16B 7/1454  
 D824,746 S \* 8/2018 Lambertson ..... D8/339  
 10,156,306 B2 \* 12/2018 Fangrow ..... F16L 29/00  
 2007/0017072 A1 \* 1/2007 Serio ..... A47L 13/42  
 24/573.11  
 2008/0052852 A1 3/2008 Lin  
 2010/0147117 A1 \* 6/2010 Hsieh ..... B25B 23/0021  
 81/177.85

OTHER PUBLICATIONS

International Preliminary Report on Patentability for International Patent Application No. PCT/US2014/025465 completed Feb. 19, 2015.

\* cited by examiner

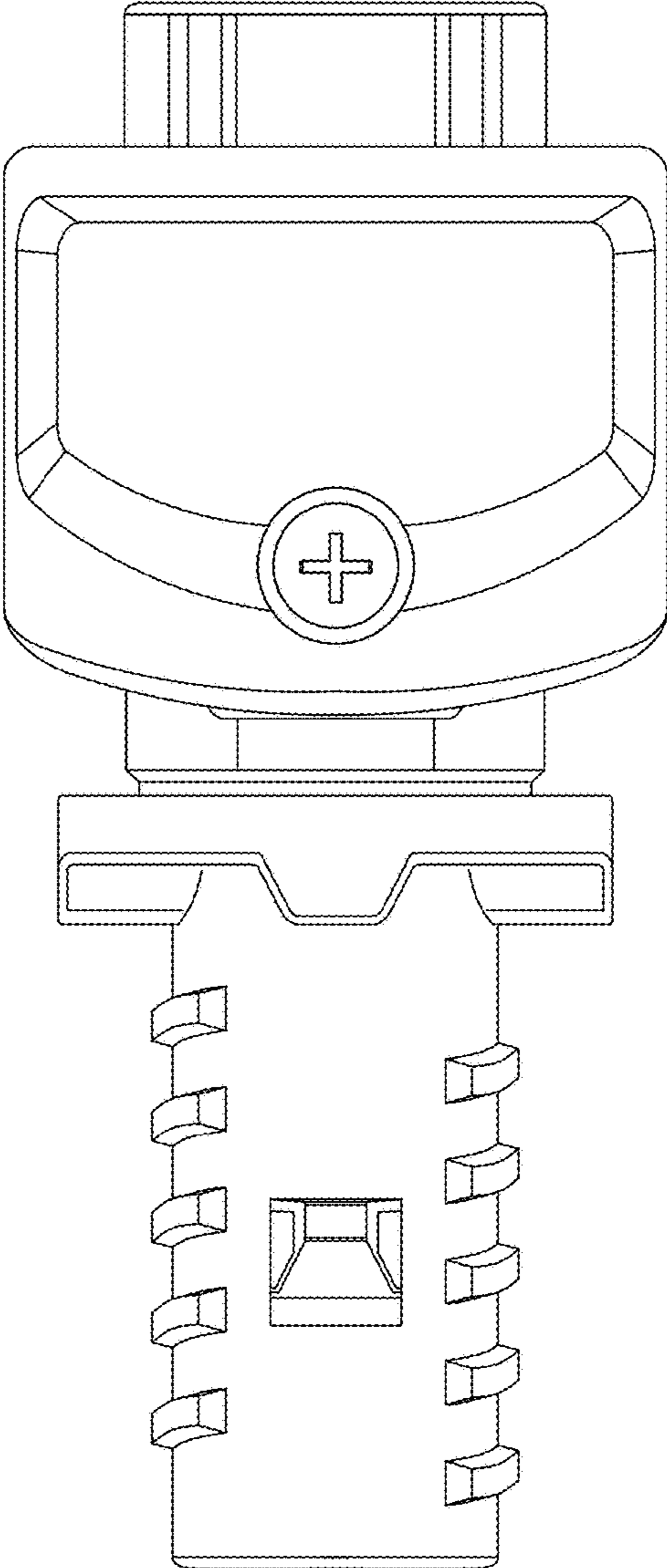


FIG. 1

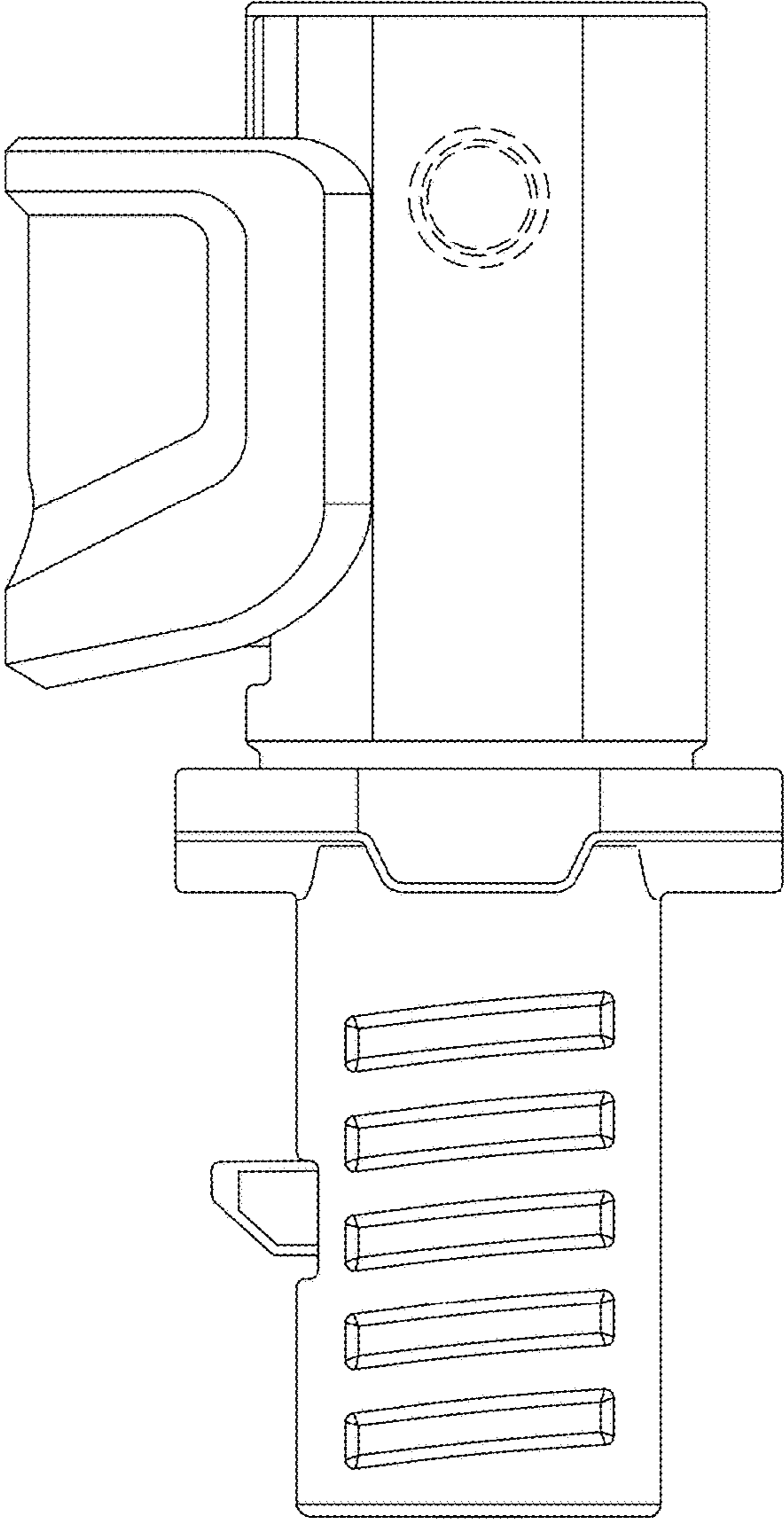


FIG. 2