

US00D849412S

(12) **United States Design Patent** (10) **Patent No.:** **US D849,412 S**
Walker (45) **Date of Patent:** **** May 28, 2019**

(54) **HANDHELD BRUSH WITH COMB ATTACHMENT**

(71) Applicant: **Bakari Walker**, St. Louis, MO (US)

(72) Inventor: **Bakari Walker**, St. Louis, MO (US)

(**) Term: **15 Years**

(21) Appl. No.: **29/623,193**

(22) Filed: **Oct. 23, 2017**

(51) **LOC (11) Cl.** **04-01**

(52) **U.S. Cl.**
USPC **D4/117**

(58) **Field of Classification Search**

USPC D4/116, 117, 118, 119, 130, 132, 134,
D4/135, 136, 199; D28/21, 25, 28, 29,
D28/30, 73, 74

(Continued)

(56) **References Cited**

U.S. PATENT DOCUMENTS

1,122,103 A * 12/1914 Graben A46B 15/00
132/121
1,529,372 A * 3/1925 Plater A46B 15/00
132/120

(Continued)

Primary Examiner — Keli L Hill

(74) *Attorney, Agent, or Firm* — Polsinelli PC

(57) **CLAIM**

The ornamental design for a handheld brush with comb attachment, as shown and described.

DESCRIPTION

FIG. 1 is a perspective view of a handheld brush with comb attachment according to an embodiment of the invention;

FIG. 2 is a perspective view of the disassembled handheld brush with comb attachment of FIG. 1;

FIG. 3 is a side view of a handheld brush with comb attachment of FIGS. 1 and 2;

FIG. 4 is a top view of the handheld brush portion of the handheld brush with comb attachment of FIGS. 1-3;

FIG. 5 is a perspective view of the handheld brush portion of the handheld brush with comb attachment of FIGS. 1-3;

FIG. 6 is a front elevation view of the handheld brush portion of the handheld brush with comb attachment of FIGS. 1-3;

FIG. 7 is a left side elevation view of the handheld brush portion of the handheld brush with comb attachment of FIGS. 1-3;

FIG. 8 is a rear elevation view of the handheld brush portion of the handheld brush with comb attachment of FIGS. 1-3;

FIG. 9 is a right side view of the handheld brush portion of the handheld brush with comb attachment of FIGS. 1-3;

FIG. 10 is a bottom view of the handheld brush portion of the handheld brush with comb attachment of FIGS. 1-3;

FIG. 11 is a top view of the comb attachment portion of the handheld brush with comb attachment of FIGS. 1-3;

FIG. 12 is a perspective view of the comb attachment portion of the handheld brush with comb attachment of FIGS. 1-3;

FIG. 13 is a right side view of the comb attachment portion of the handheld brush with comb attachment of FIGS. 1-3;

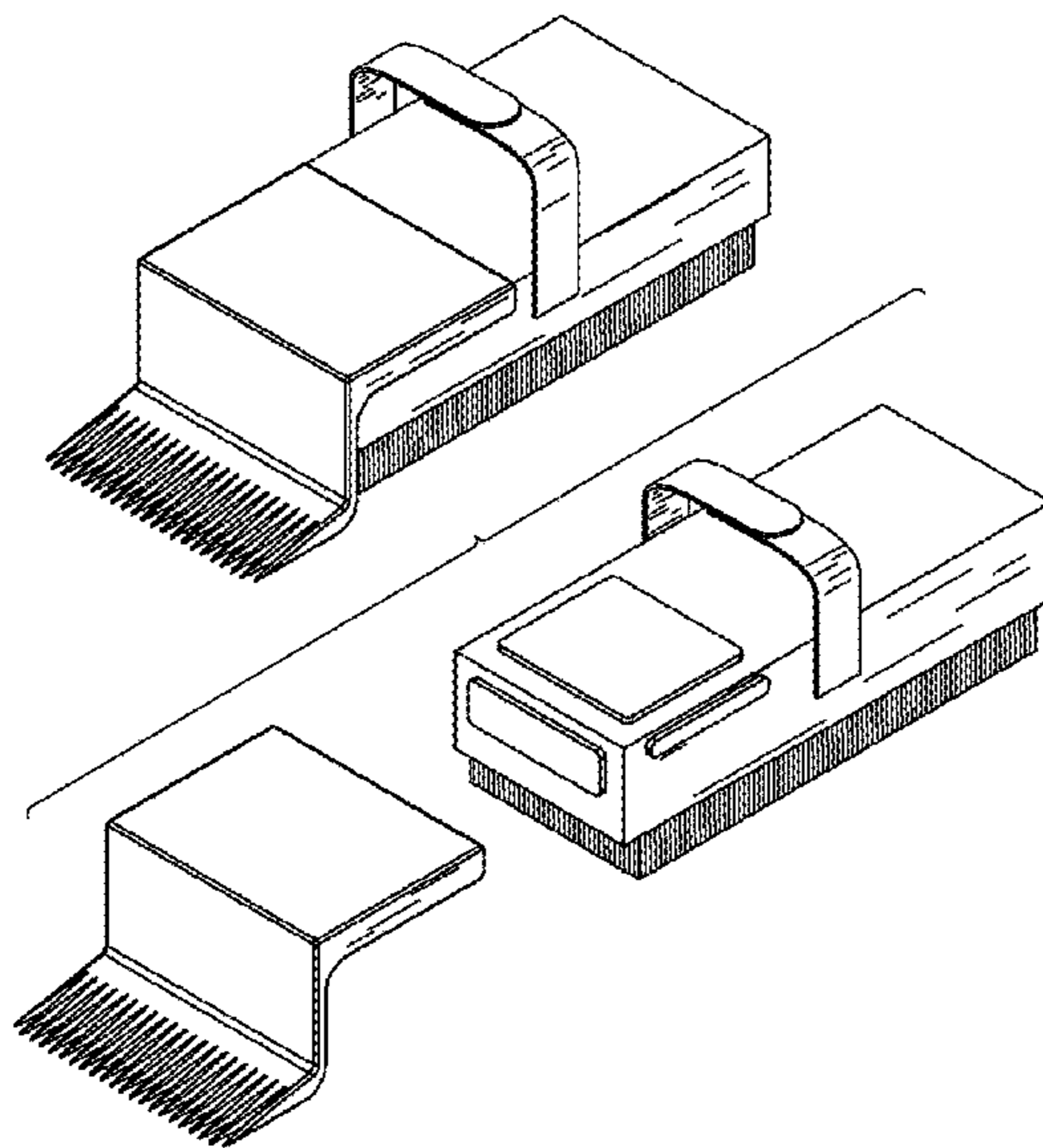
FIG. 14 is a front elevation view of the comb attachment portion of the handheld brush with comb attachment of FIGS. 1-3;

FIG. 15 is a left side view of the comb attachment portion of the handheld brush with comb attachment of FIGS. 1-3;

FIG. 16 is a rear view of the comb attachment portion of the handheld brush with comb attachment of FIGS. 1-3; and,

FIG. 17 is a bottom view of the comb attachment portion of the handheld brush with comb attachment of FIGS. 1-3.

1 Claim, 3 Drawing Sheets



(58) **Field of Classification Search**

CPC A45D 24/14; A45D 24/16; A46B 3/005;
 A46B 5/00; A46B 5/02; A46B 5/021;
 A46B 9/02; A46B 9/021; A46B 9/023;
 A46B 13/001; A46B 13/008; A46B
 15/0055; A46B 15/0081; A46B 15/0087;
 A46B 17/02; A46B 2200/30; A46B
 2200/104; A46B 2200/106; A46B
 2200/202; A46B 2200/205; A46B
 2200/207; A46B 2200/304; A46B
 2200/1006; A46B 2200/1046; A46B
 2200/1053; A46B 2200/3006; A46B
 2200/3033; A46B 2200/3093

See application file for complete search history.

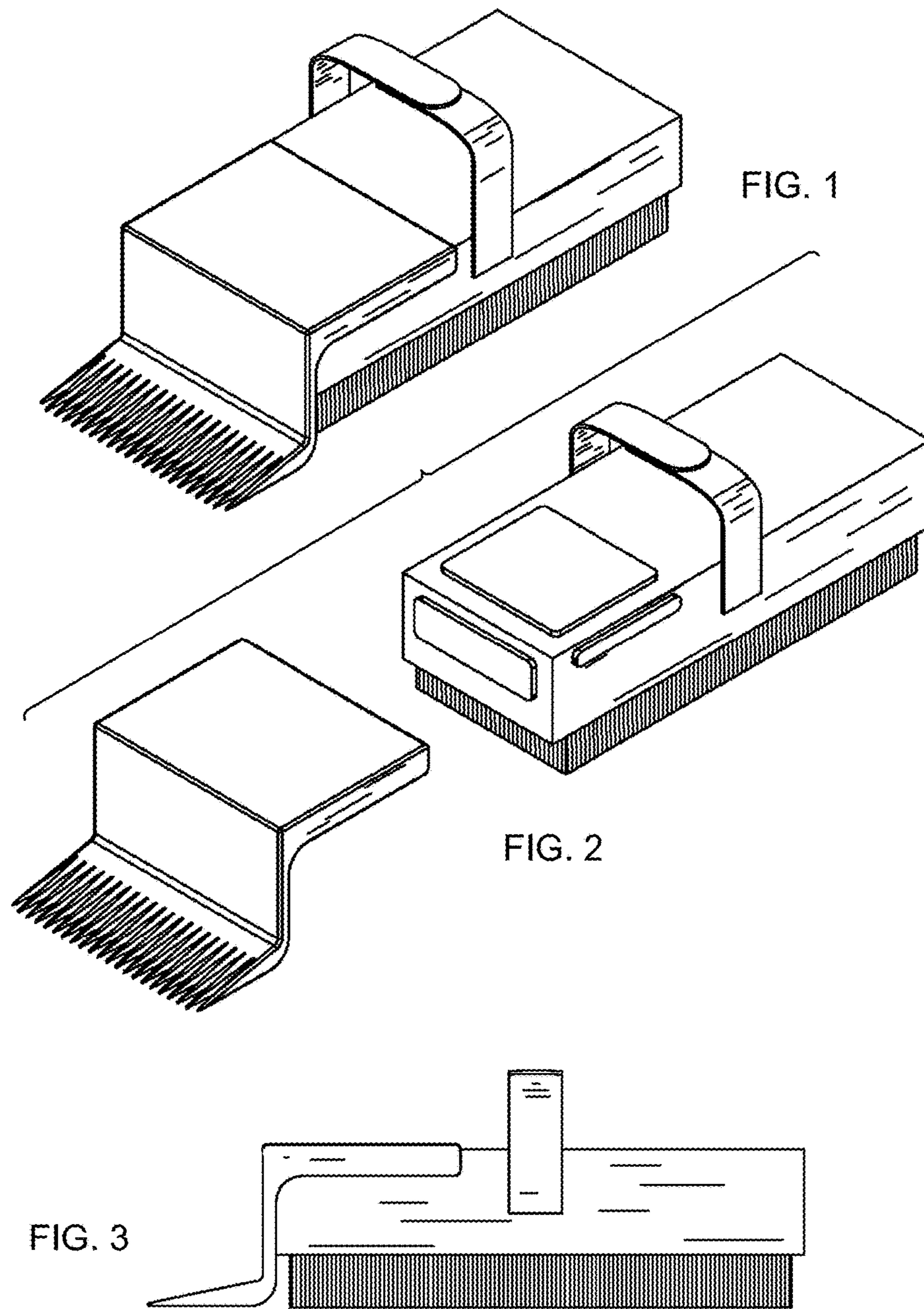
(56) **References Cited**

U.S. PATENT DOCUMENTS

D196,960 S * 11/1963 Dake, Jr. D4/137
 D204,480 S * 4/1966 Skaraten 15/236.08
 D212,583 S * 11/1968 Stewart D4/129
 D253,874 S * 1/1980 Kaufman D32/41

D270,296 S * 8/1983 Thomas D28/31
 D295,118 S * 4/1988 Valenza D4/114
 D297,801 S * 9/1988 Olsson D8/14
 D320,292 S * 9/1991 Bartlett D30/158
 5,349,971 A * 9/1994 Player A45D 24/36
 132/213
 D366,795 S * 2/1996 Kuan D6/536
 D369,906 S * 5/1996 Henrie D4/129
 D376,880 S * 12/1996 Liebscher D21/795
 D384,208 S * 9/1997 Joiner D28/25
 D441,961 S * 5/2001 Gringer D4/130
 D466,697 S * 12/2002 Chen D4/129
 7,028,366 B2 * 4/2006 Brozoska E04F 21/06
 15/235.4
 8,627,830 B1 * 1/2014 Becker A45D 24/10
 132/148
 D721,892 S * 2/2015 Ash D4/114
 9,095,373 B2 * 8/2015 Guynn A61B 19/36
 D767,282 S * 9/2016 Eilmus D4/130
 D791,979 S * 7/2017 Kilian D25/143
 D820,517 S * 6/2018 Tanaka D28/21
 2013/0333742 A1 * 12/2013 Chang E06B 7/28
 136/244

* cited by examiner



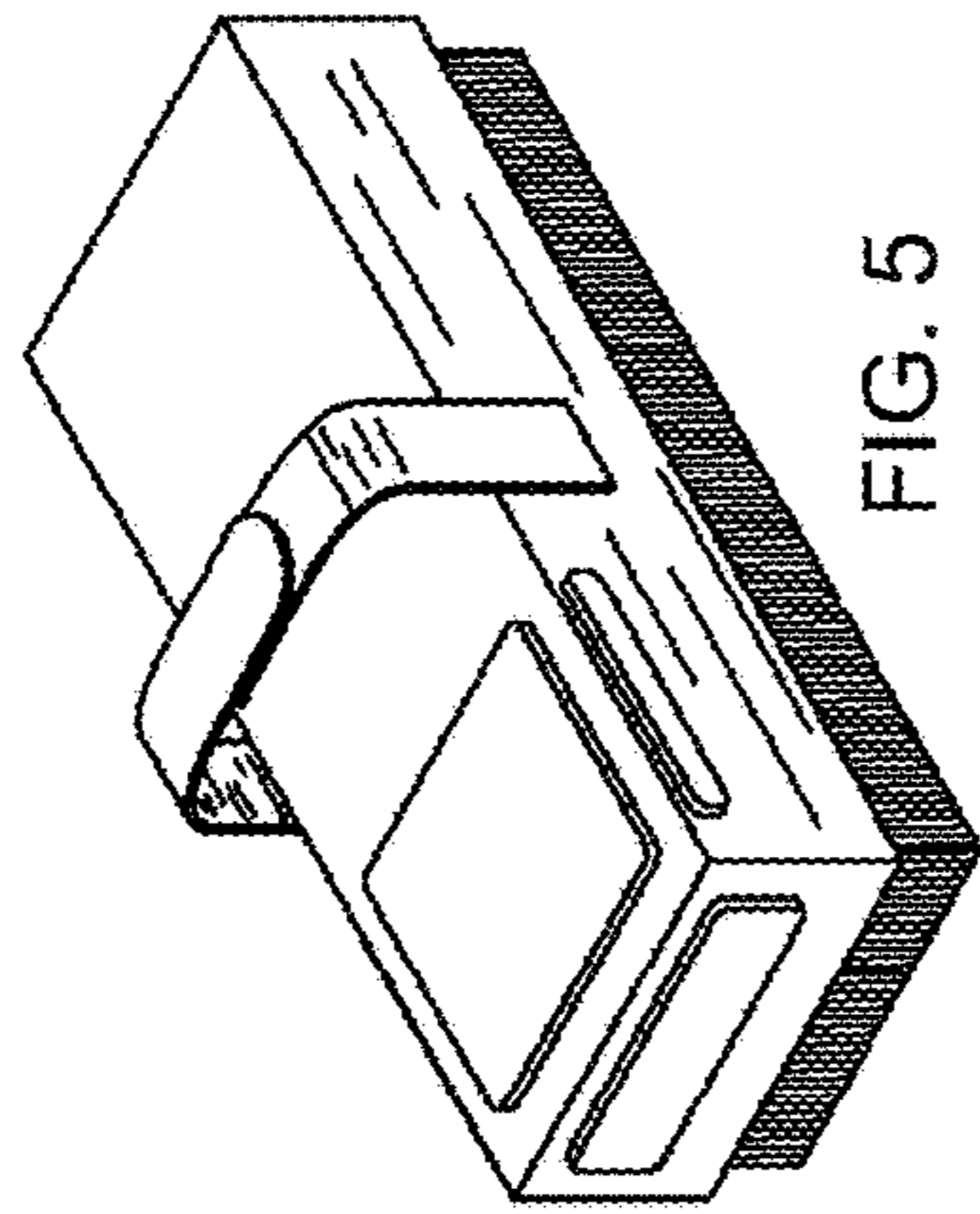


FIG. 5

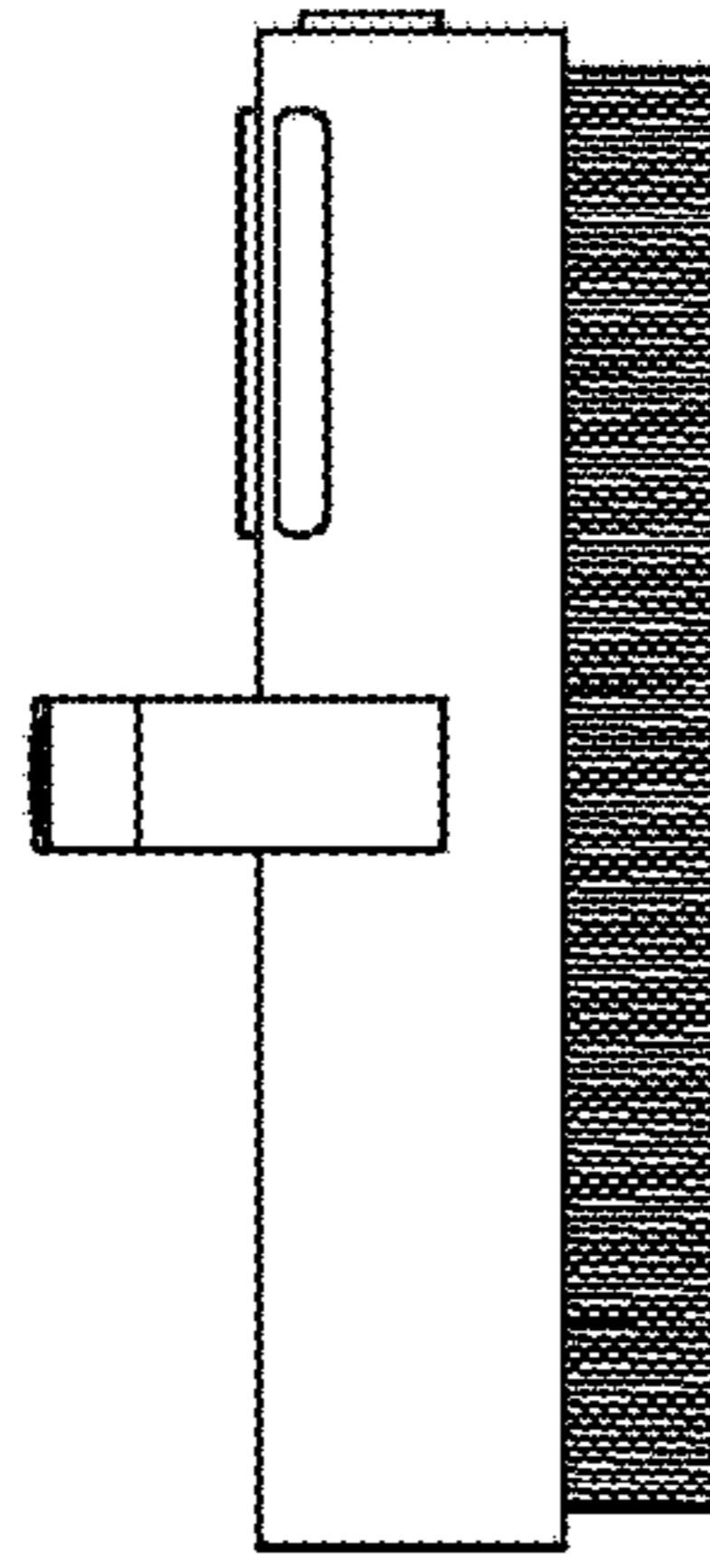


FIG. 9

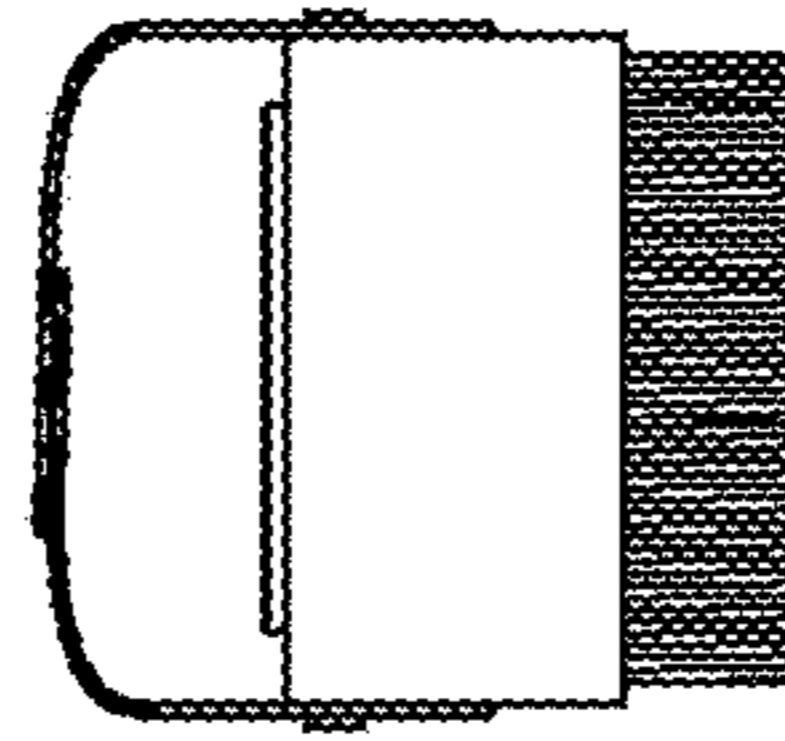


FIG. 8

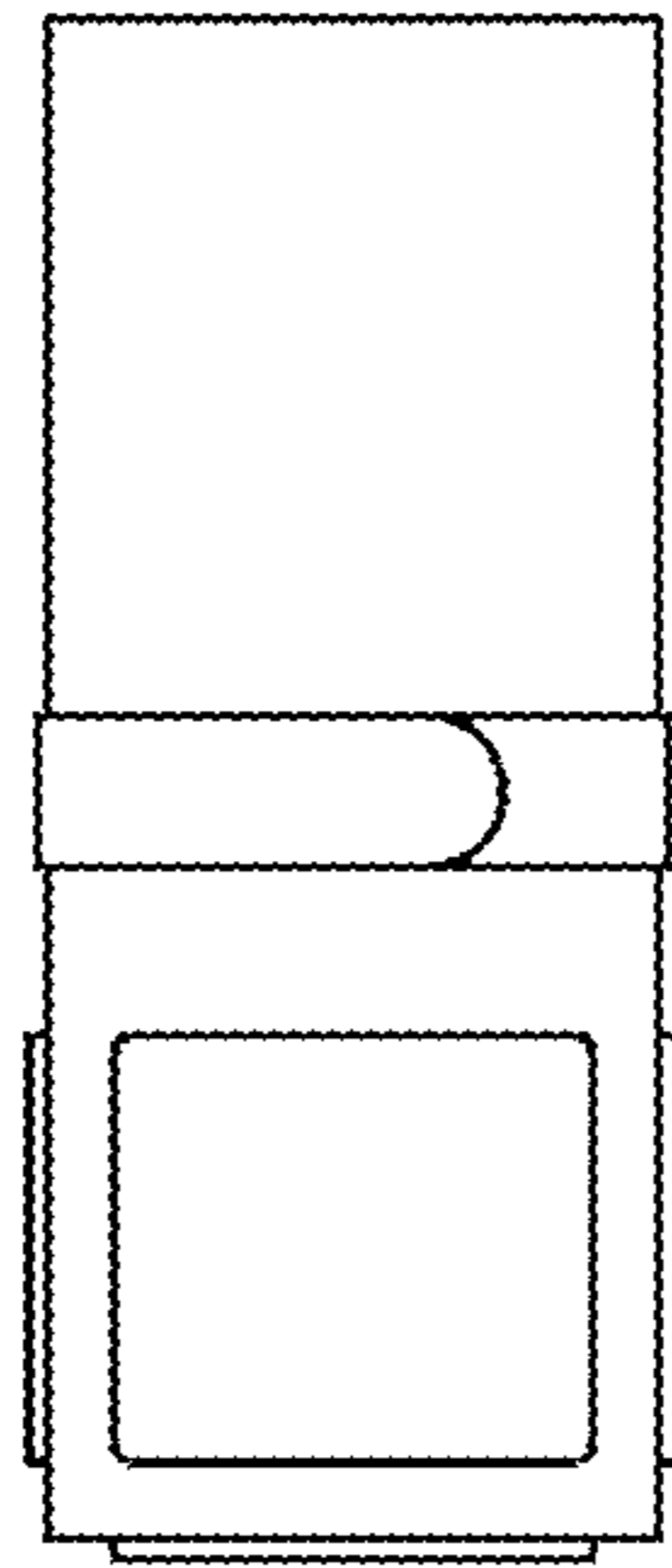


FIG. 4

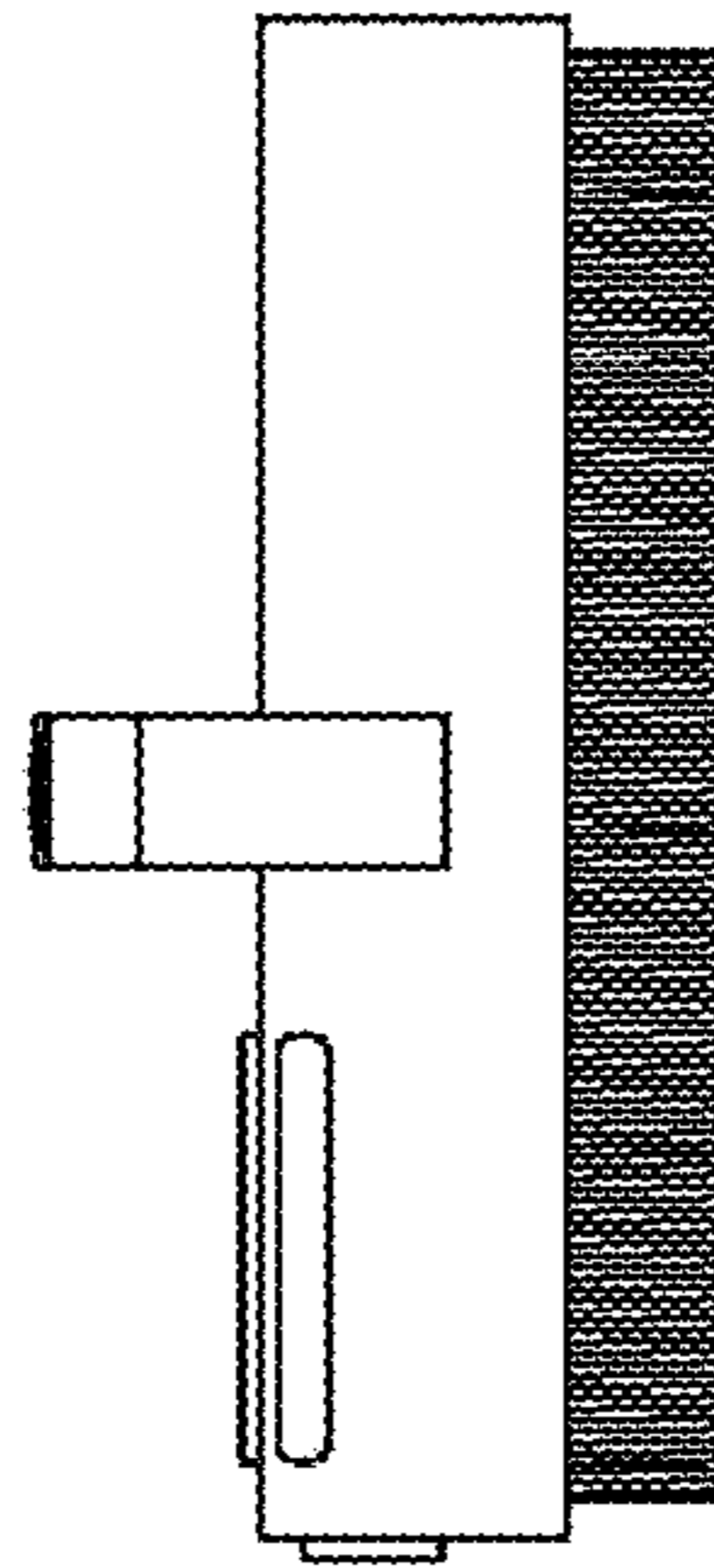


FIG. 7

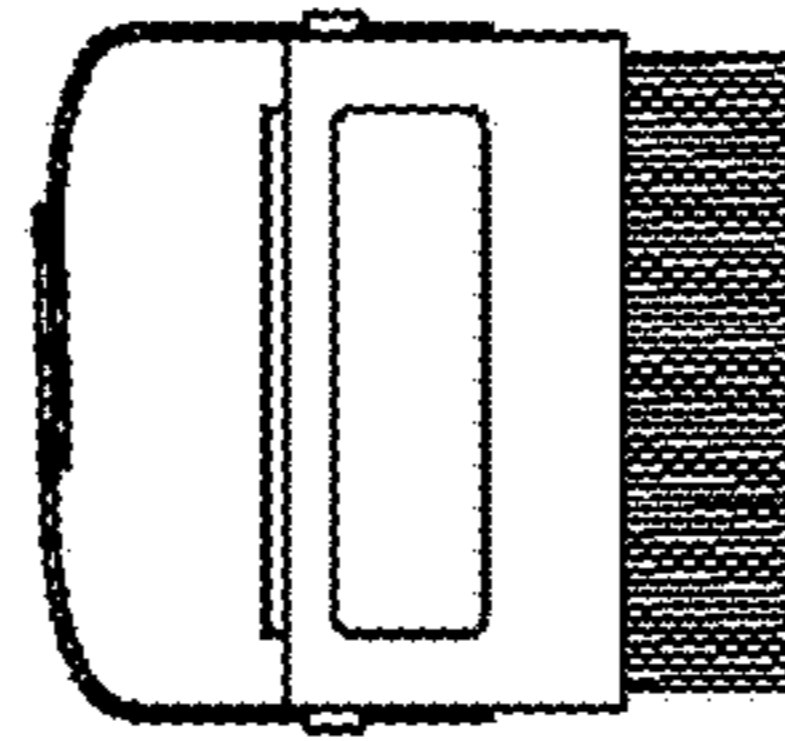


FIG. 6

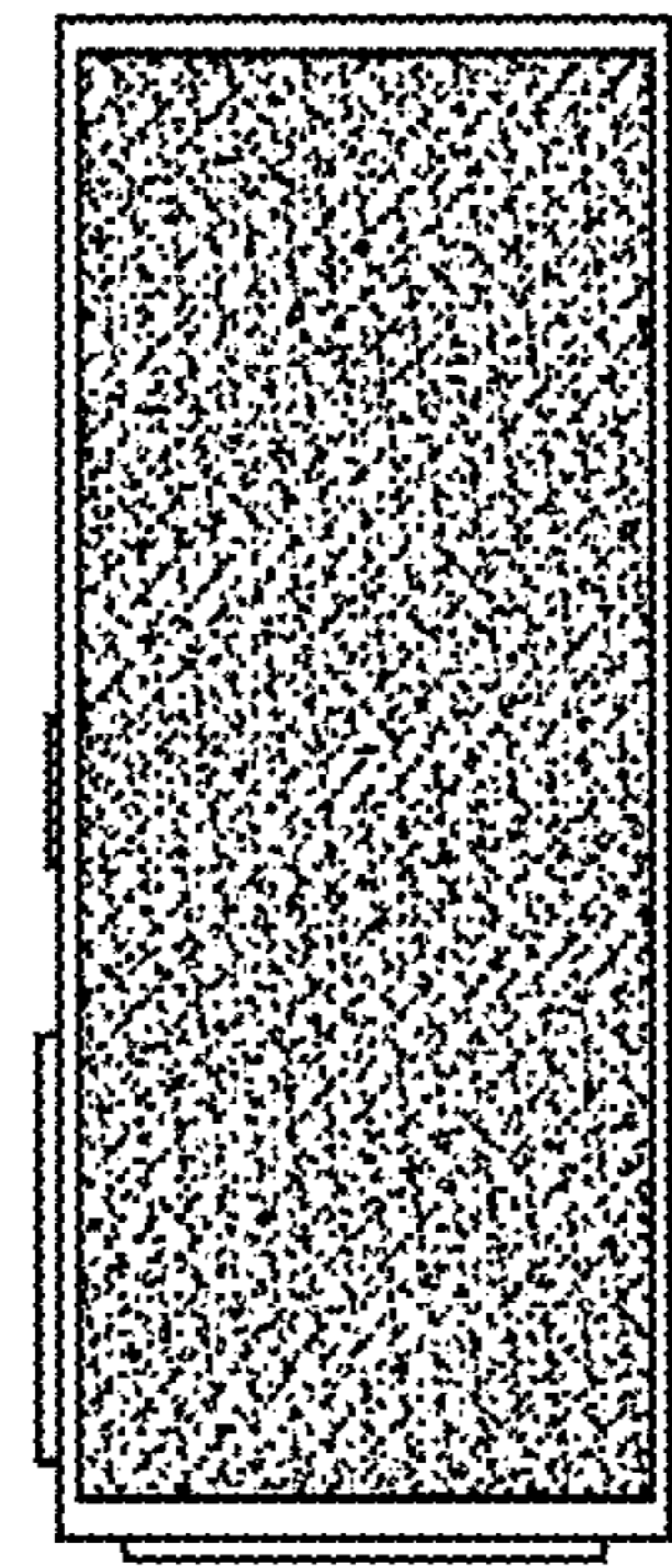


FIG. 10

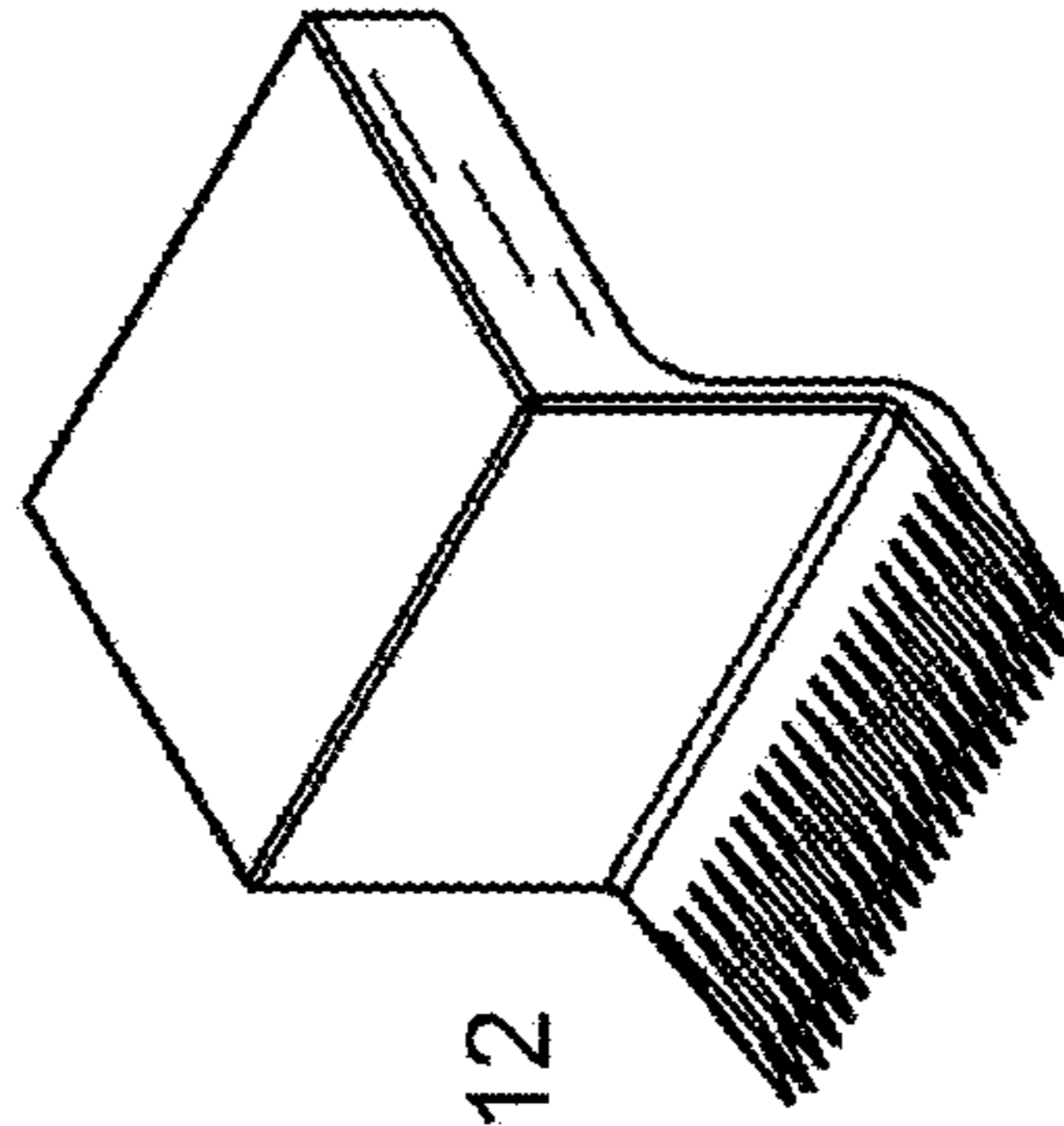


FIG. 12

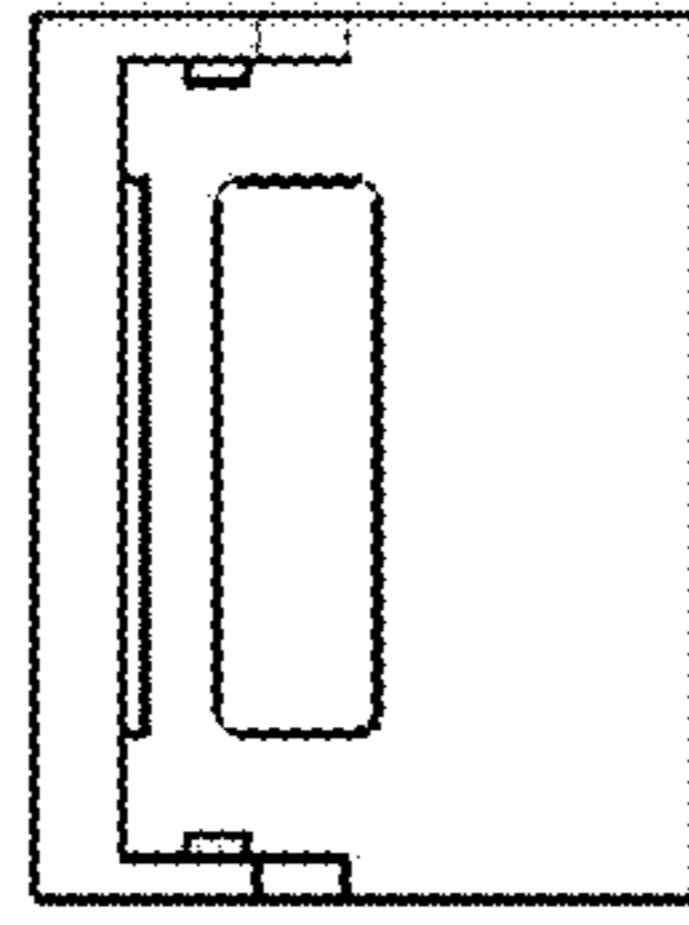


FIG. 16

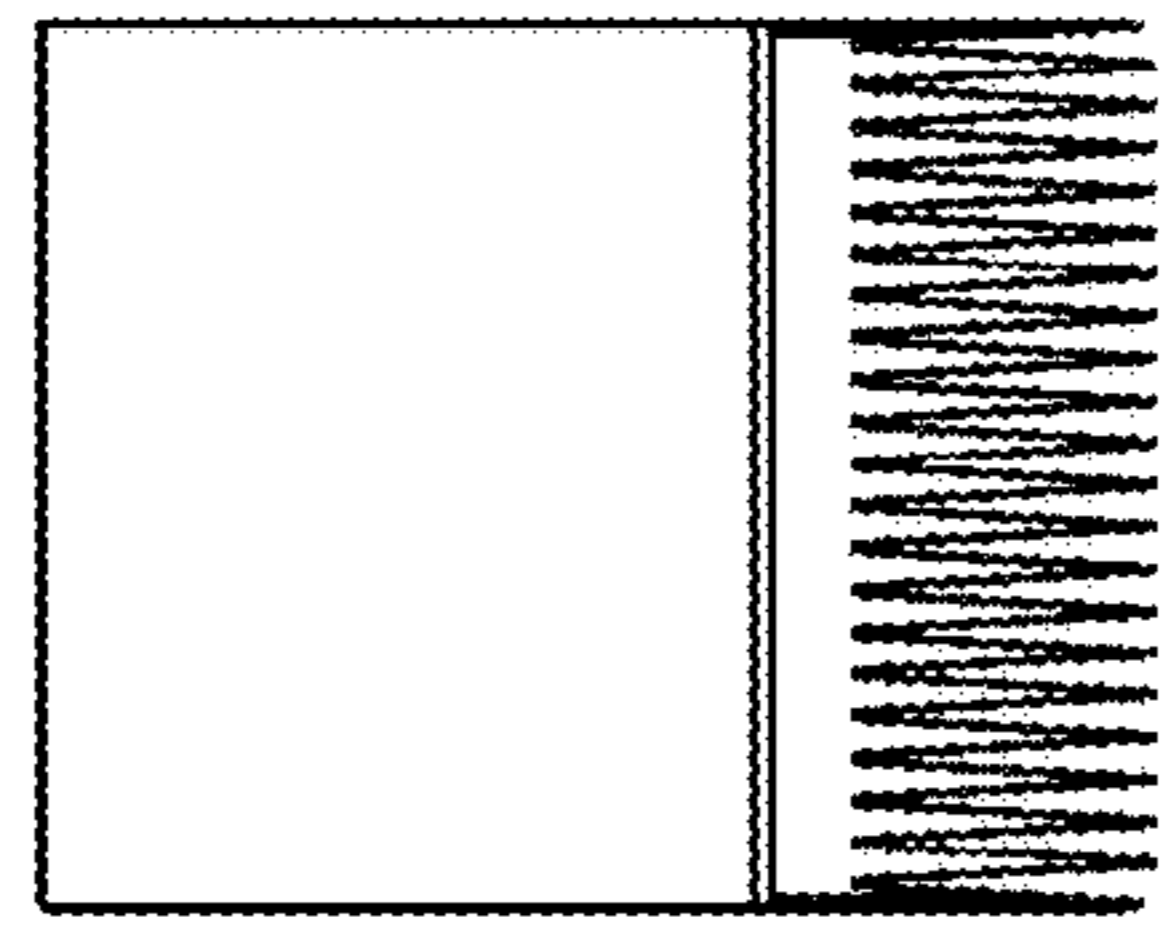


FIG. 11

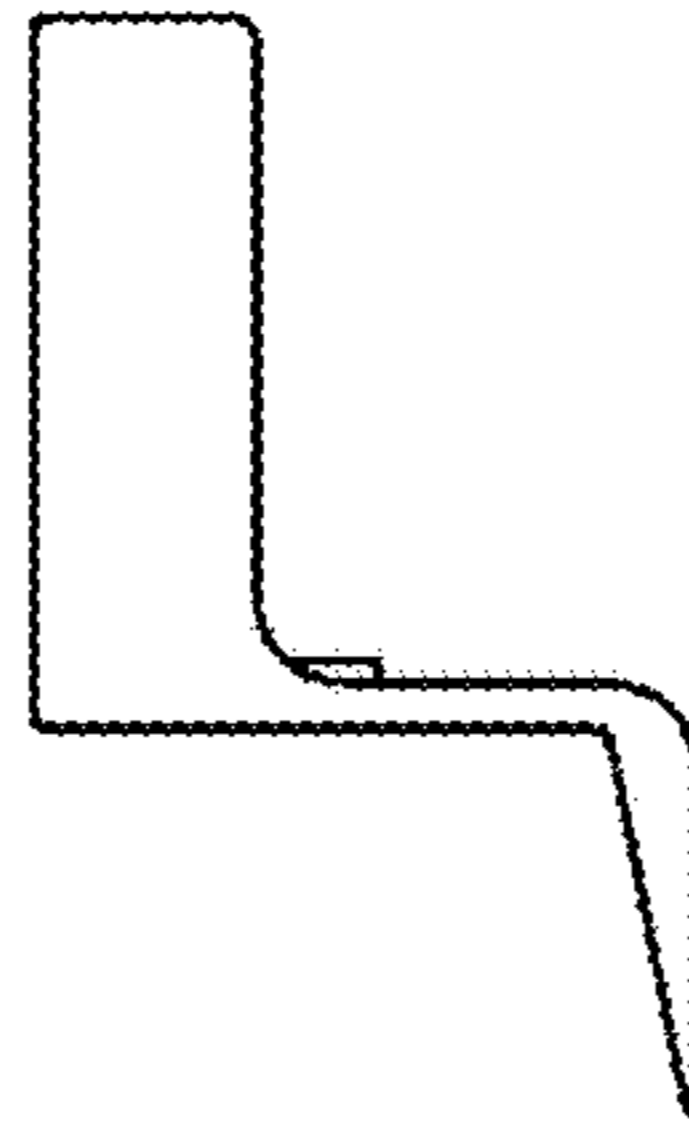


FIG. 15

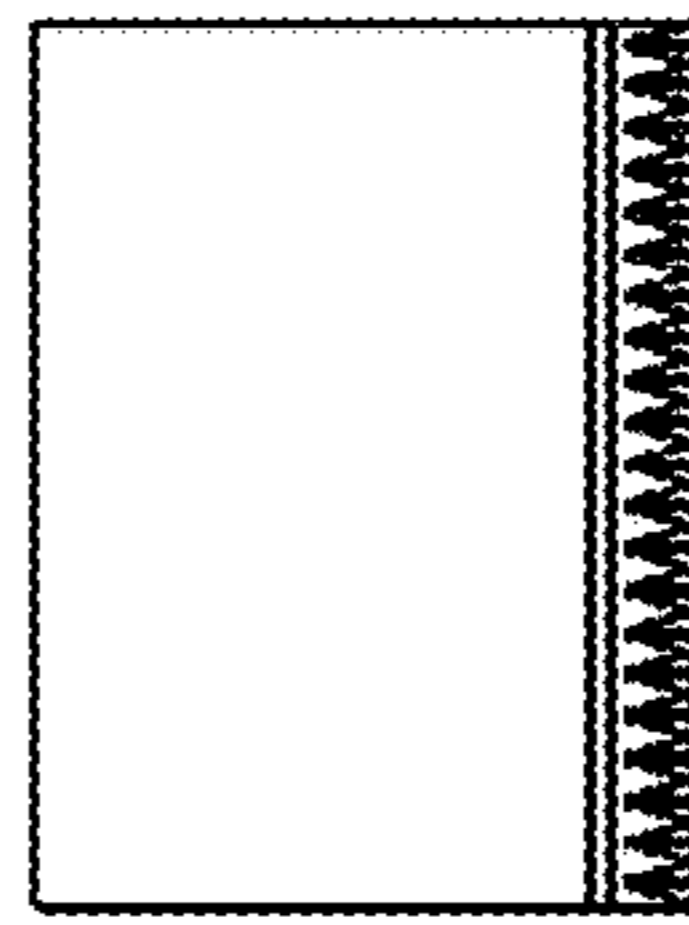


FIG. 14

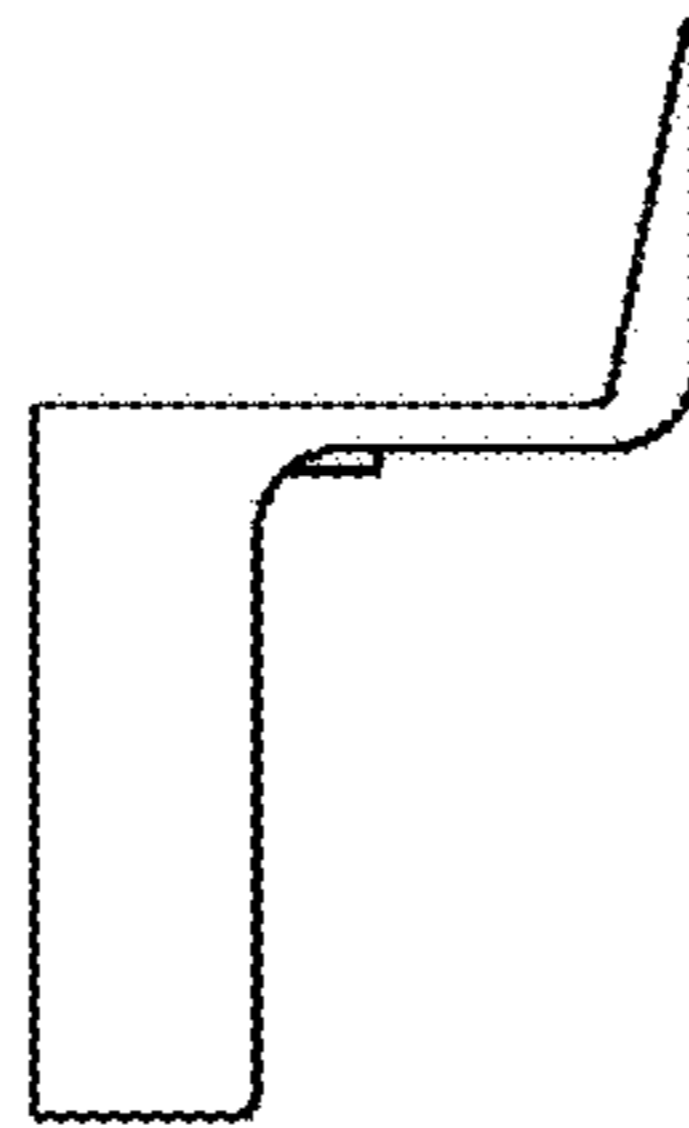


FIG. 13

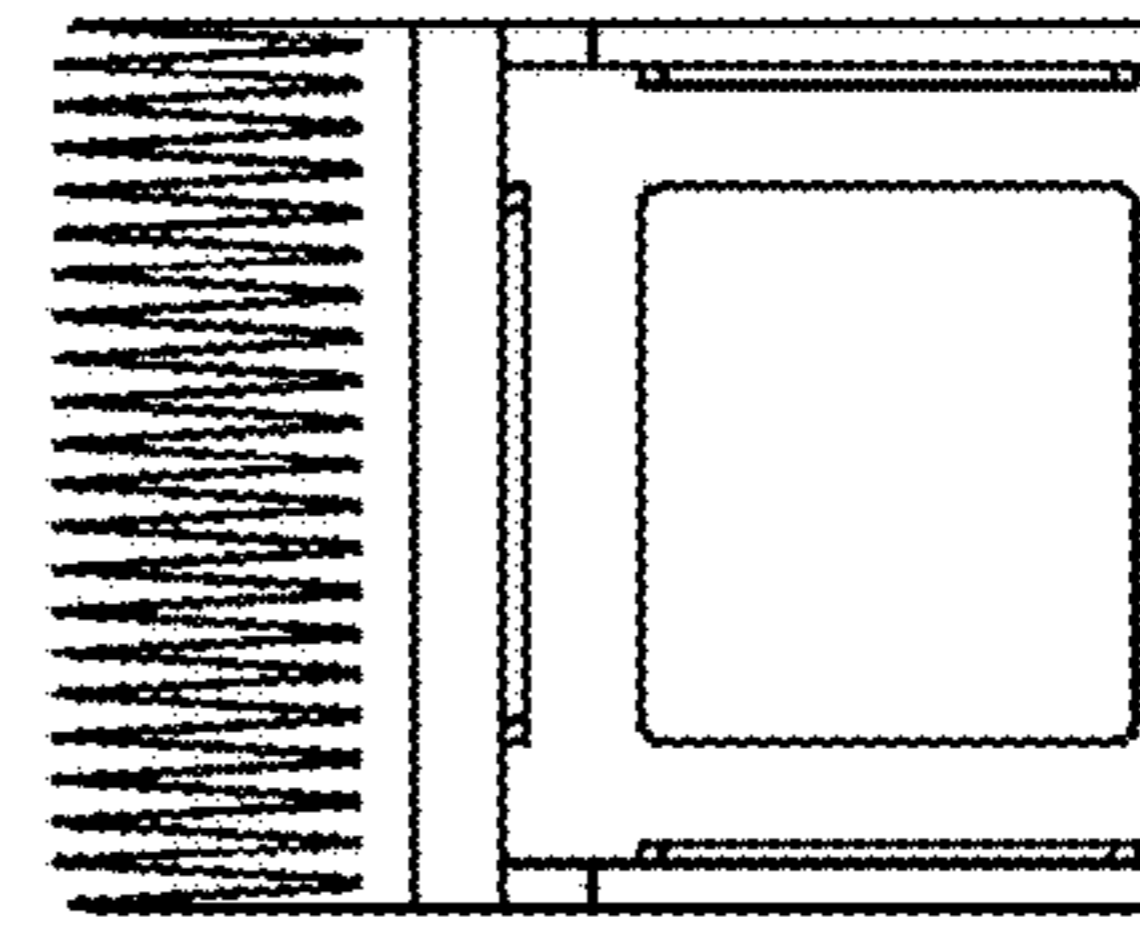


FIG. 17