

US00D849411S

(12) **United States Design Patent**
Zemel

(10) **Patent No.:** **US D849,411 S**

(45) **Date of Patent:** **** May 28, 2019**

(54) **BRUSH PLUG**

(71) Applicant: **Mr. Bar-B-Q Products LLC**, Melville,
NY (US)

(72) Inventor: **Marc Zemel**, Melville, NY (US)

(73) Assignee: **MR. BAR-B-Q PRODUCTS LLC**,
Melville, NY (US)

(**) Term: **15 Years**

(21) Appl. No.: **29/625,769**

(22) Filed: **Nov. 13, 2017**

(51) **LOC (11) Cl.** **04-02**

(52) **U.S. Cl.**
USPC **D4/116; D4/138**

(58) **Field of Classification Search**
USPC D4/100, 101, 102, 114, 115, 116, 117,
D4/118, 119, 121, 122, 123, 127, 128,
D4/130, 131, 132, 133, 134, 135, 136,
D4/137, 138, 199; D32/25, 14; 15/11,
15/210
CPC A46B 5/00; A46B 5/02; A46B 9/00; A46B
9/02; A46B 2200/00; A46B 2200/30;
A46B 2200/40; A46B 2200/3013; B08B
1/002; B08B 3/04; A45D 40/265; B65D
39/16; B67D 1/07; E03C 1/264; Y10S
4/14

See application file for complete search history.

(56) **References Cited**

U.S. PATENT DOCUMENTS

- 773,857 A * 11/1904 Effenberger et al. .. B65D 39/16
215/299
- 1,053,875 A 2/1913 Repper et al.
- 1,493,501 A * 5/1924 Rice B65D 39/16
215/364
- 1,935,128 A * 11/1933 Pullman E03C 1/264
4/286
- 2,194,916 A 3/1940 Somers

- D134,303 S * 11/1942 Hoerle 15/104.2
- 4,850,071 A * 7/1989 Lawrence A46B 5/00
15/104.095
- 5,491,863 A * 2/1996 Dunn A46B 3/18
15/106
- D384,507 S * 10/1997 Mudie D32/52
- D398,110 S * 9/1998 Zemel D32/42

(Continued)

FOREIGN PATENT DOCUMENTS

JP D1063536 * 3/2000

OTHER PUBLICATIONS

3X Hygiene Plug draft beer faucet tap kegerator bar spout brush sanitation [on-line]. Retrieved from the Internet Feb. 25, 2019. URL: <<https://picclick.co.uk/3-x-HYGIENE-PLUG-draft-beer-faucet-tap-321903752705.html>>. (6 pages) (Year: 2019).*

(Continued)

Primary Examiner — Karen E Eldridge Powers
(74) *Attorney, Agent, or Firm* — Carter, DeLuca & Farrell LLP

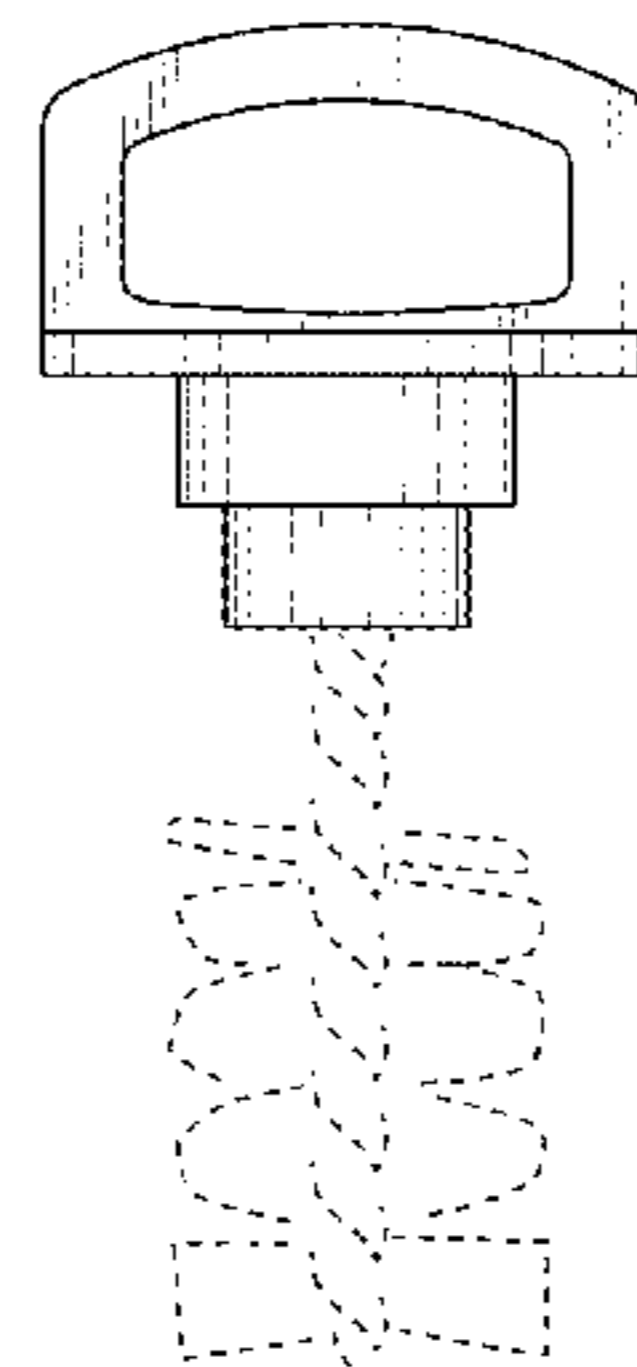
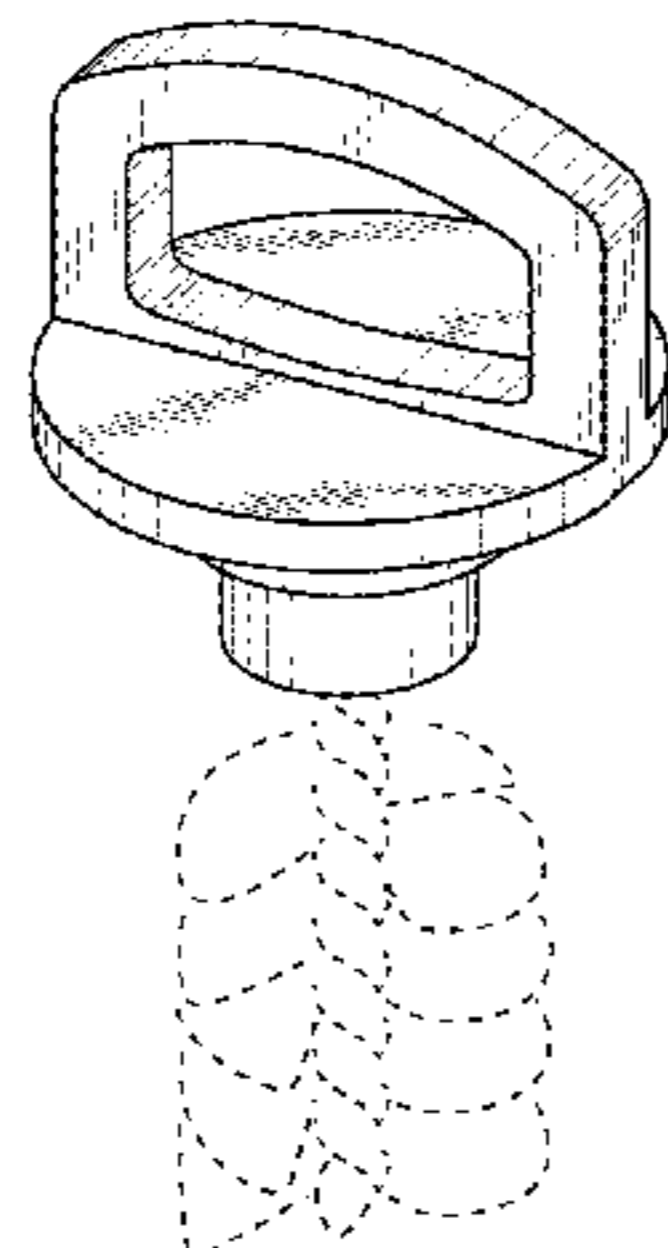
(57) **CLAIM**

The ornamental design for a brush plug, as shown and described.

DESCRIPTION

FIG. 1 is a front perspective view of a brush plug in accordance with the present design;
FIG. 2 is a bottom perspective view thereof;
FIG. 3 is a right side elevational view thereof;
FIG. 4 is a left side elevational view thereof;
FIG. 5 is a rear elevational view thereof;
FIG. 6 is a front elevational view thereof;
FIG. 7 is a top plan view thereof; and,
FIG. 8 is a bottom plan view thereof.
The broken lines shown in the drawings illustrate portions of the brush plug that form no part of the claimed design.

1 Claim, 4 Drawing Sheets



(56)

References Cited

U.S. PATENT DOCUMENTS

D427,774 S 7/2000 Jackson et al.
6,088,843 A * 7/2000 Francisco E03C 1/264
4/289
D523,596 S * 6/2006 Holmes D32/14
D543,419 S * 5/2007 Zemel D24/130
D549,536 S * 8/2007 Schoolcraft D32/35
7,367,078 B2 * 5/2008 Mameletzi A47L 17/04
15/105
7,467,650 B2 * 12/2008 Massey B67D 3/04
137/603
7,767,159 B2 8/2010 Glotov
7,988,019 B2 8/2011 Groh
8,434,960 B2 * 5/2013 Lariviere F16B 5/0096
403/22
D831,910 S * 10/2018 Antal D32/25
2006/0107476 A1 * 5/2006 Mameletzi A47L 17/04
15/105
2007/0050932 A1 3/2007 Sullivan

OTHER PUBLICATIONS

Bar Maid Tap-Brush Beer Tap Brush Plug, Red Handle [on-line]. Retrieved from the Internet Feb. 25, 2019. URL: <https://www.katom.com/214-TAPBRUSH.html?utm_source=Bing&utm_medium=cpc&m>. (3 pages) (Year: 2019).*

Bar Maid Tap-Brush Beer Tap Brushes, 6 pack [on-line]. Retrieved from the Internet Feb. 25, 2019. URL: <<https://shop.dinecompany.com/bar-maid-tap-brush-beer-tap-brushes/>>. (6 pages) (Year: 2019).*

* cited by examiner

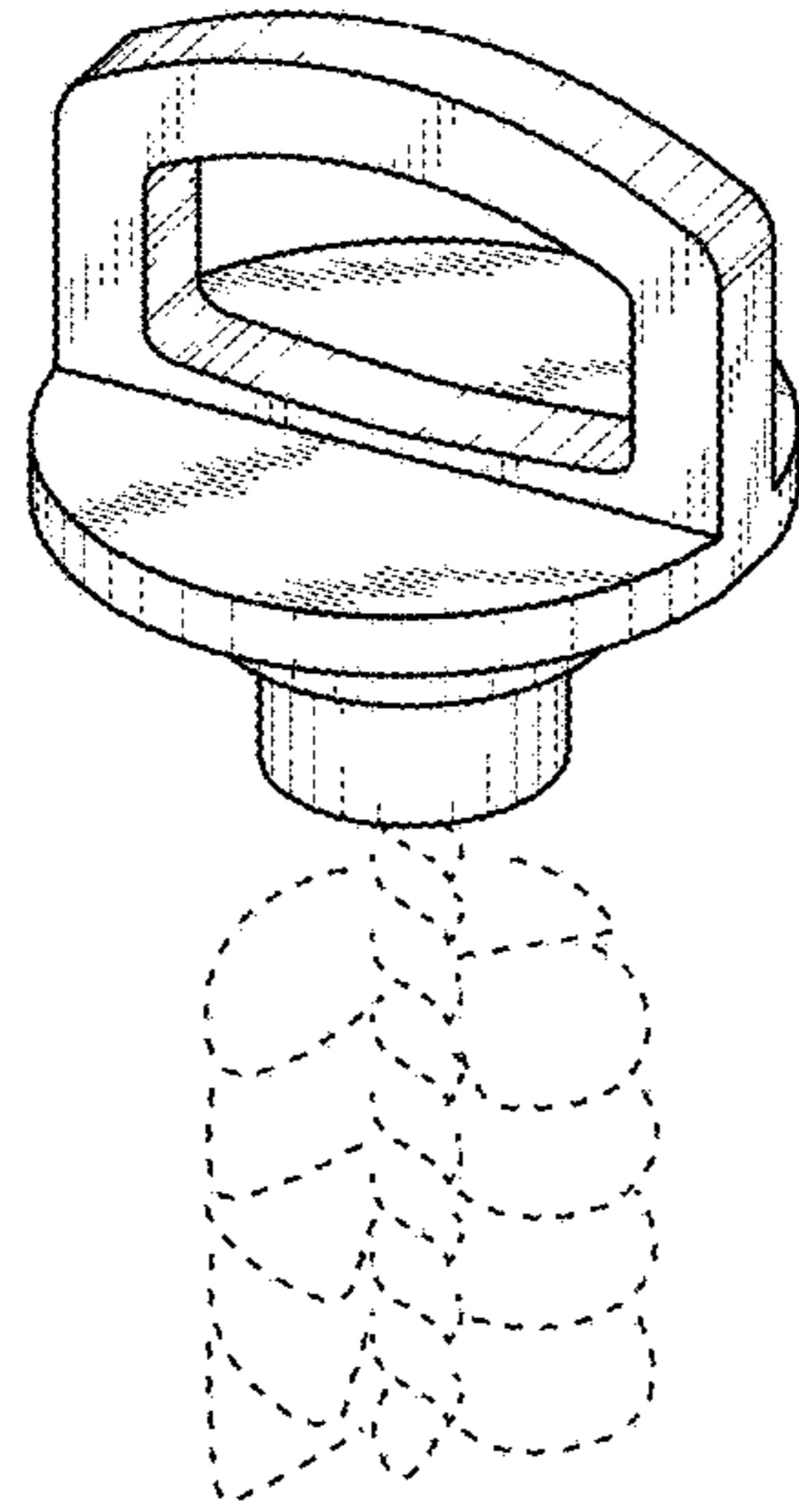


FIG. 1

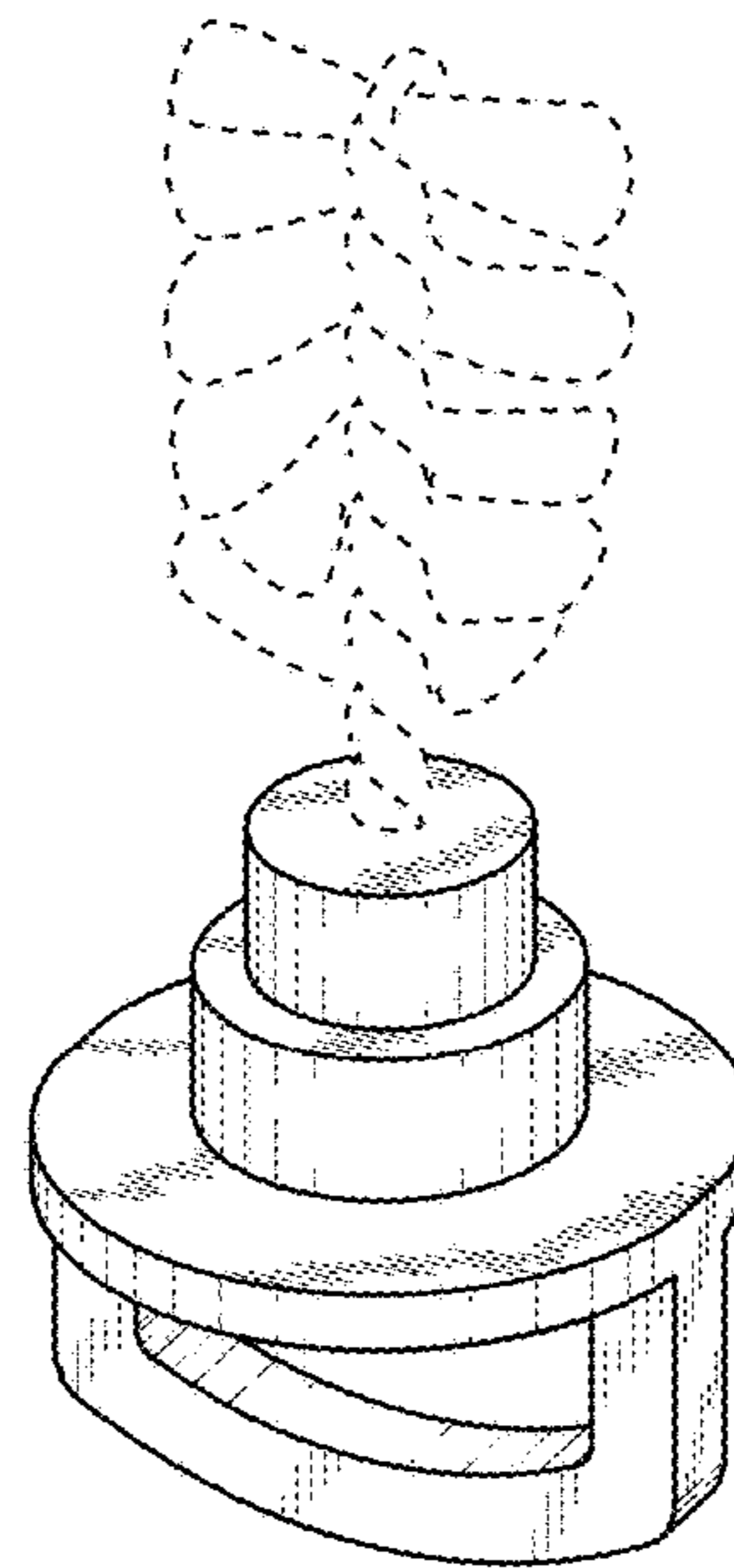


FIG. 2

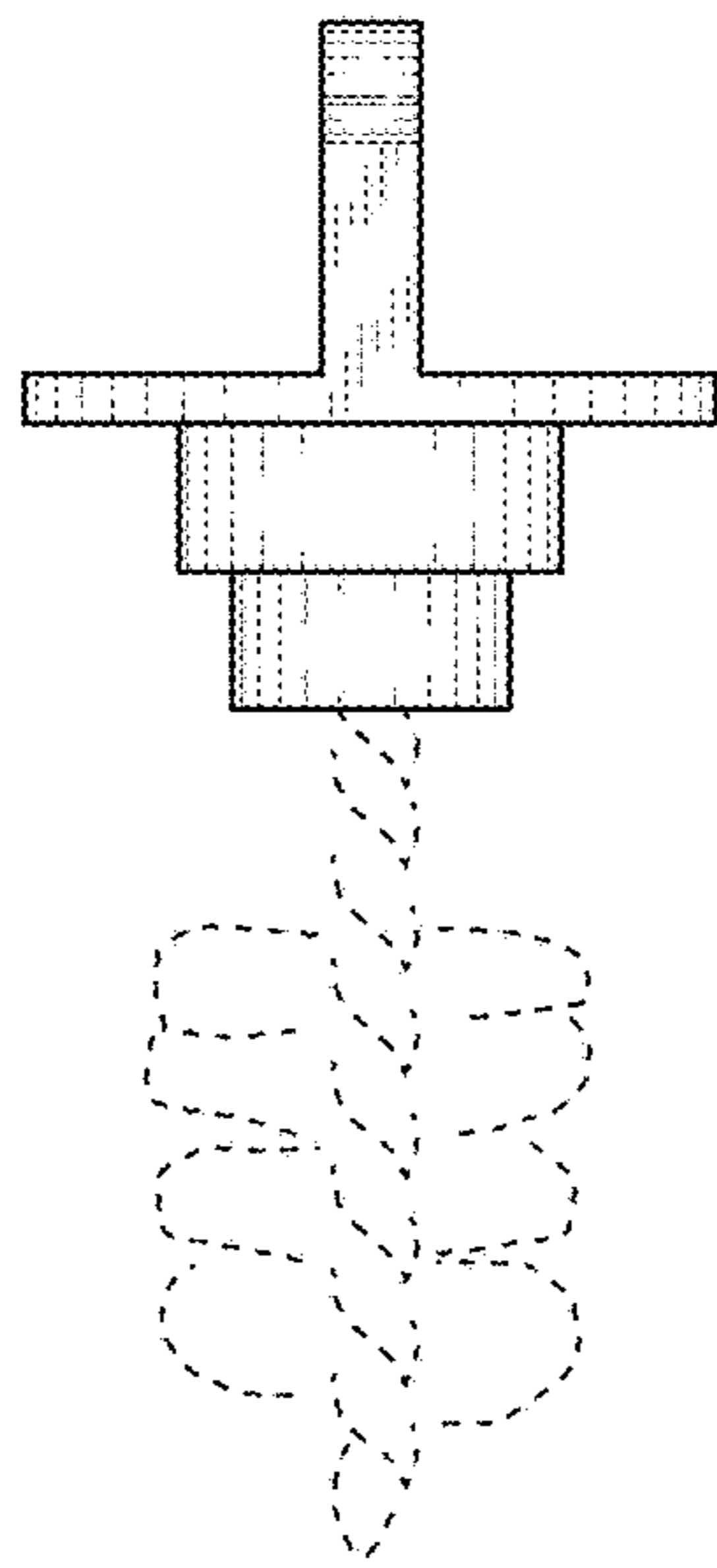


FIG. 3

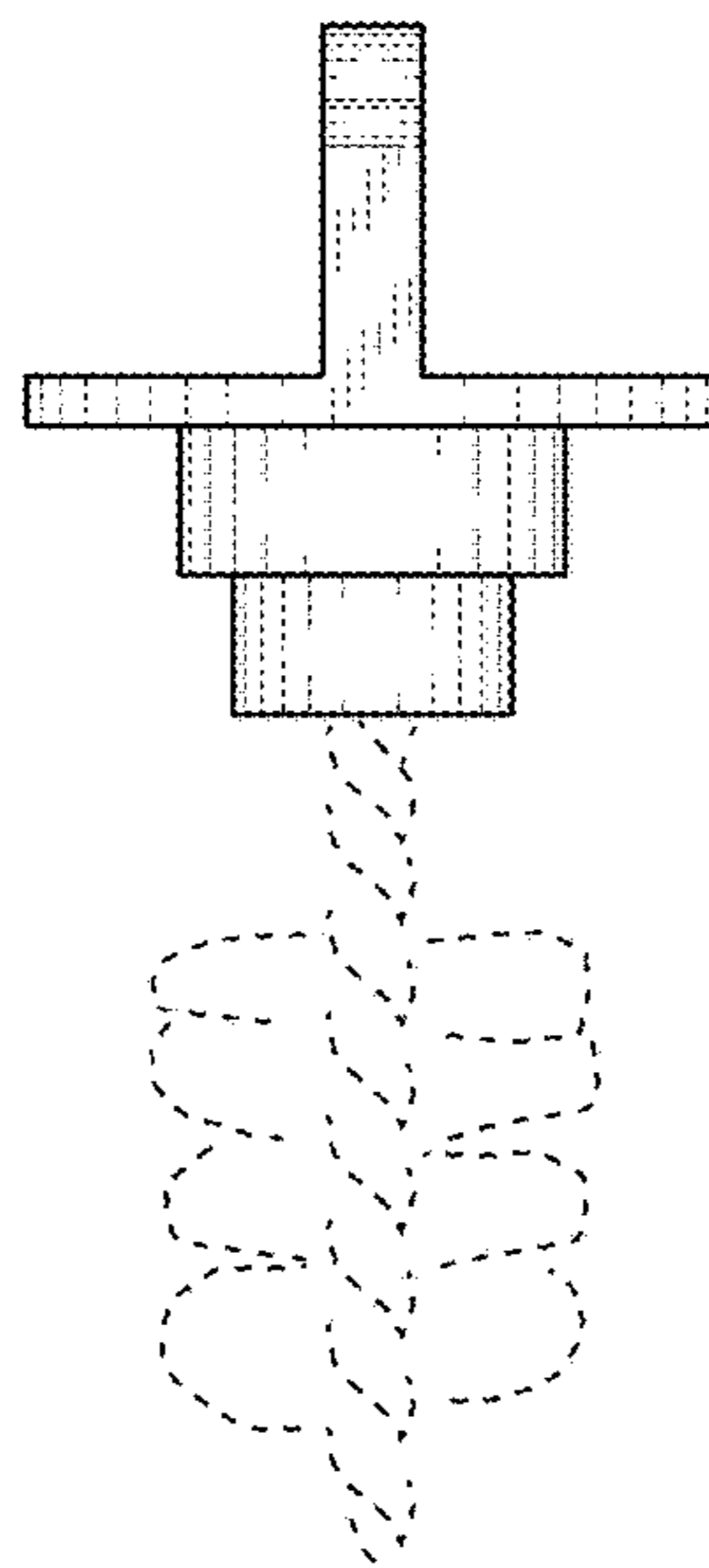


FIG. 4

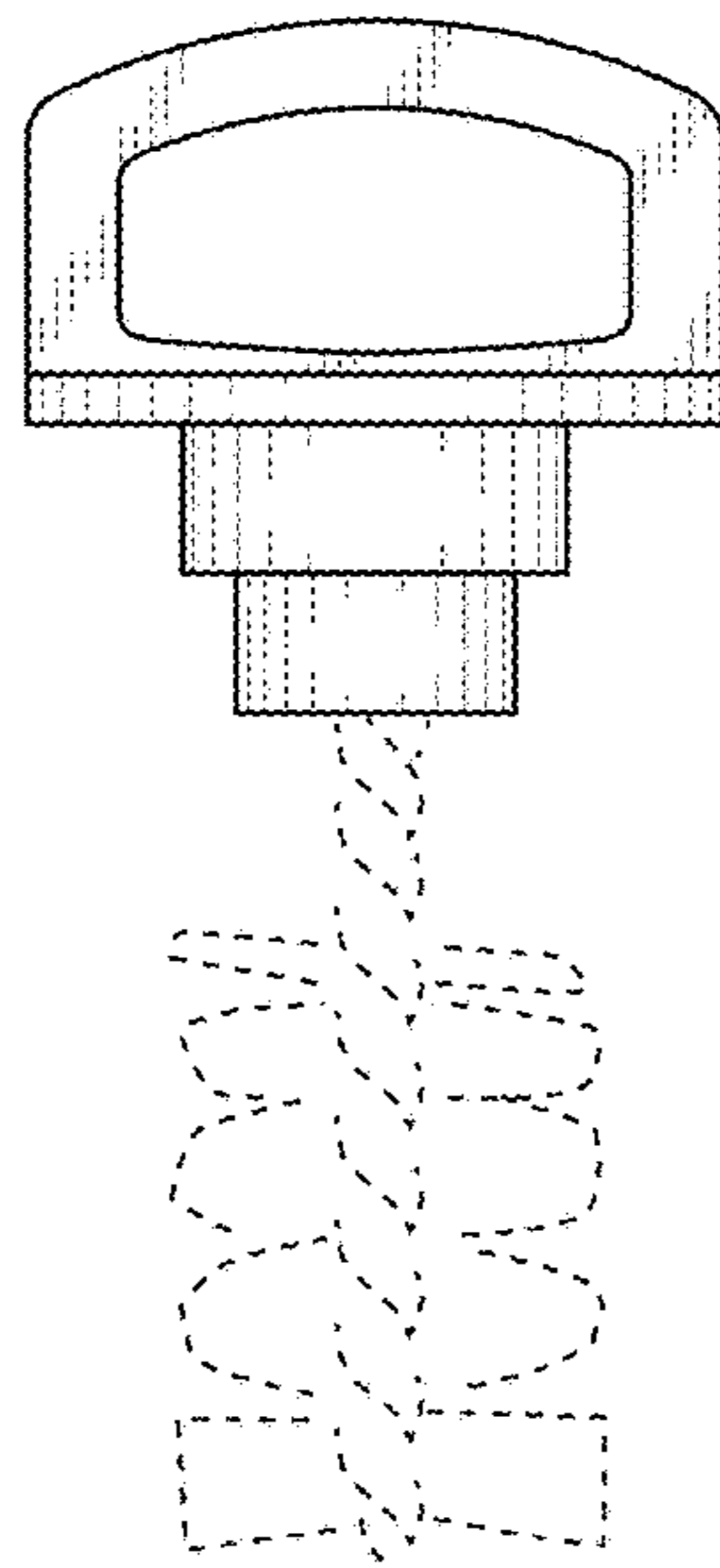


FIG. 5

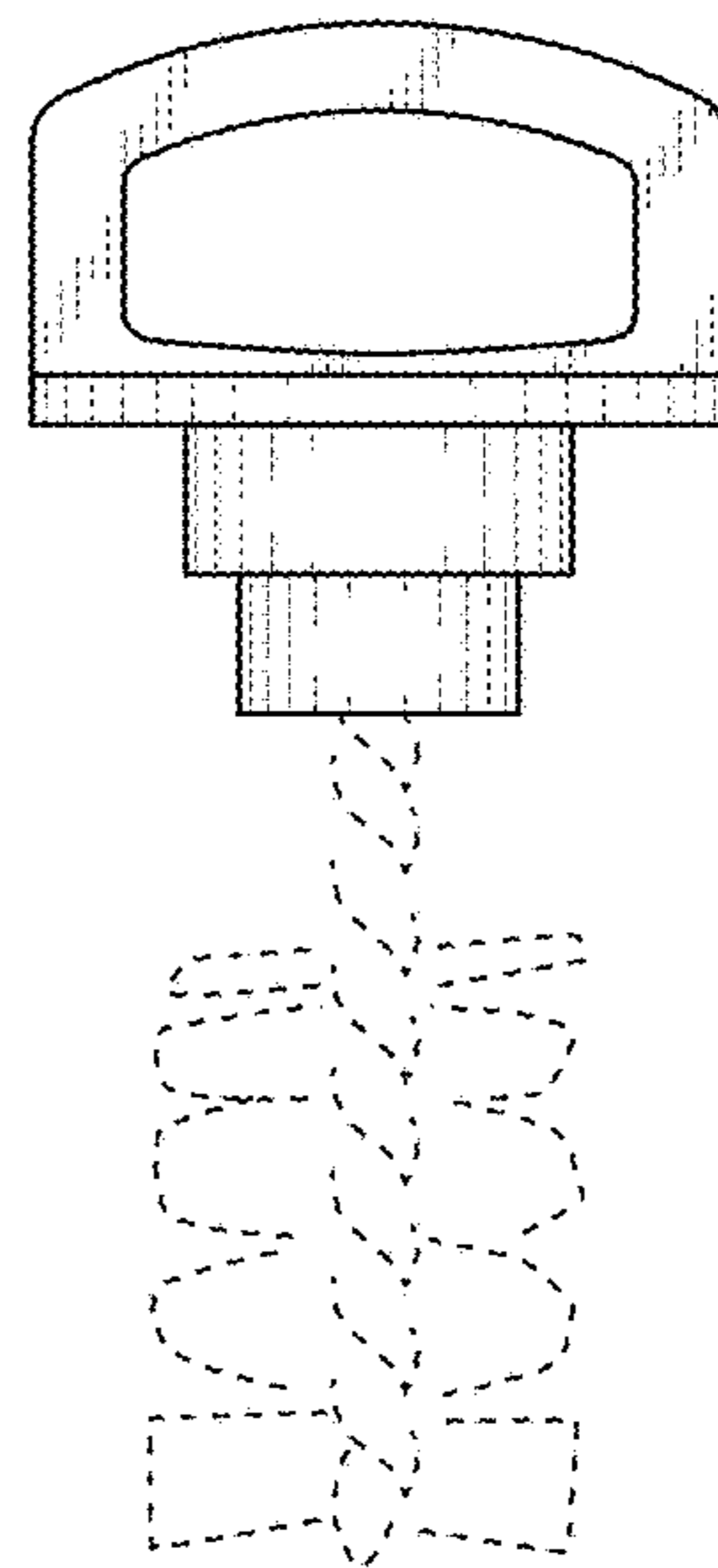


FIG. 6

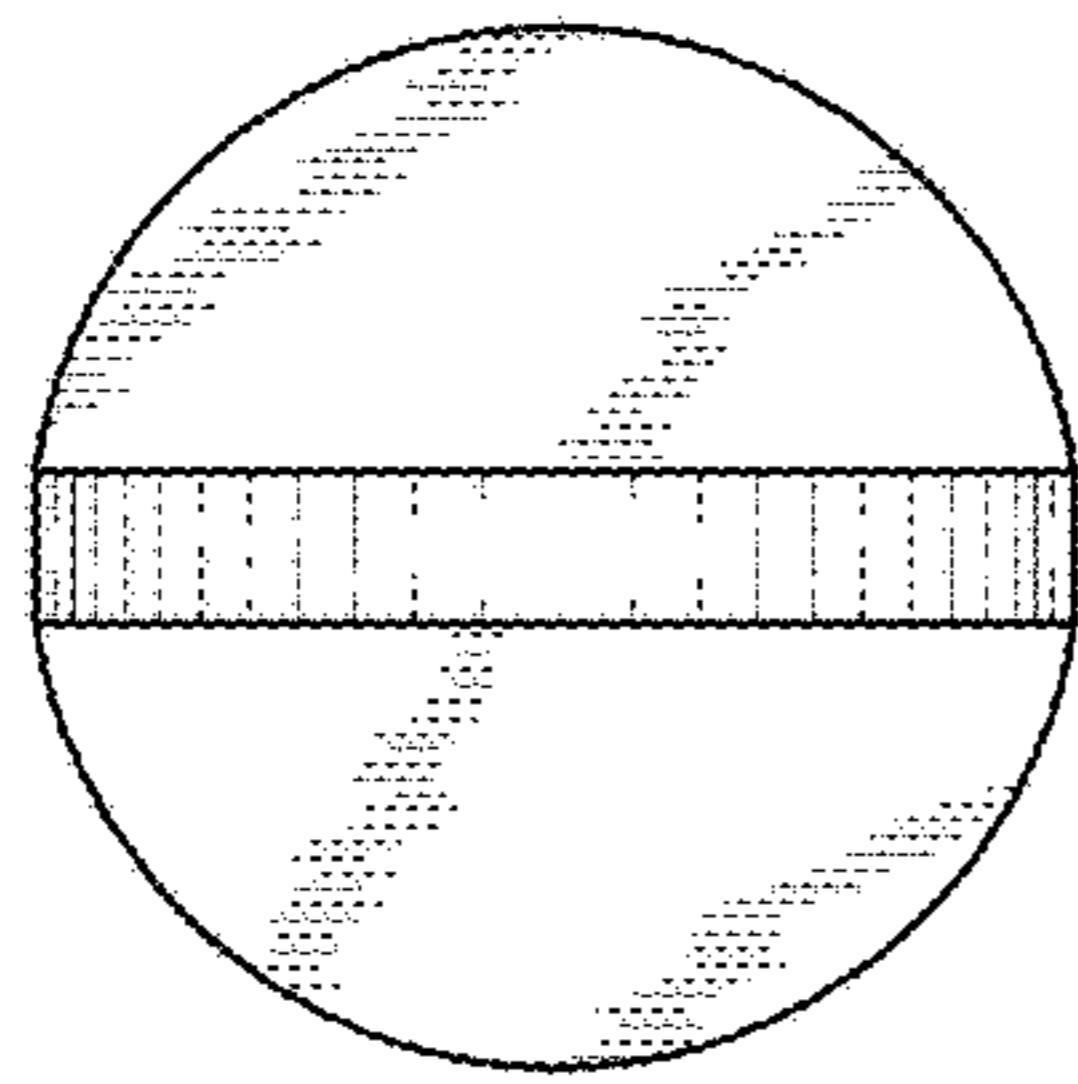


FIG. 7

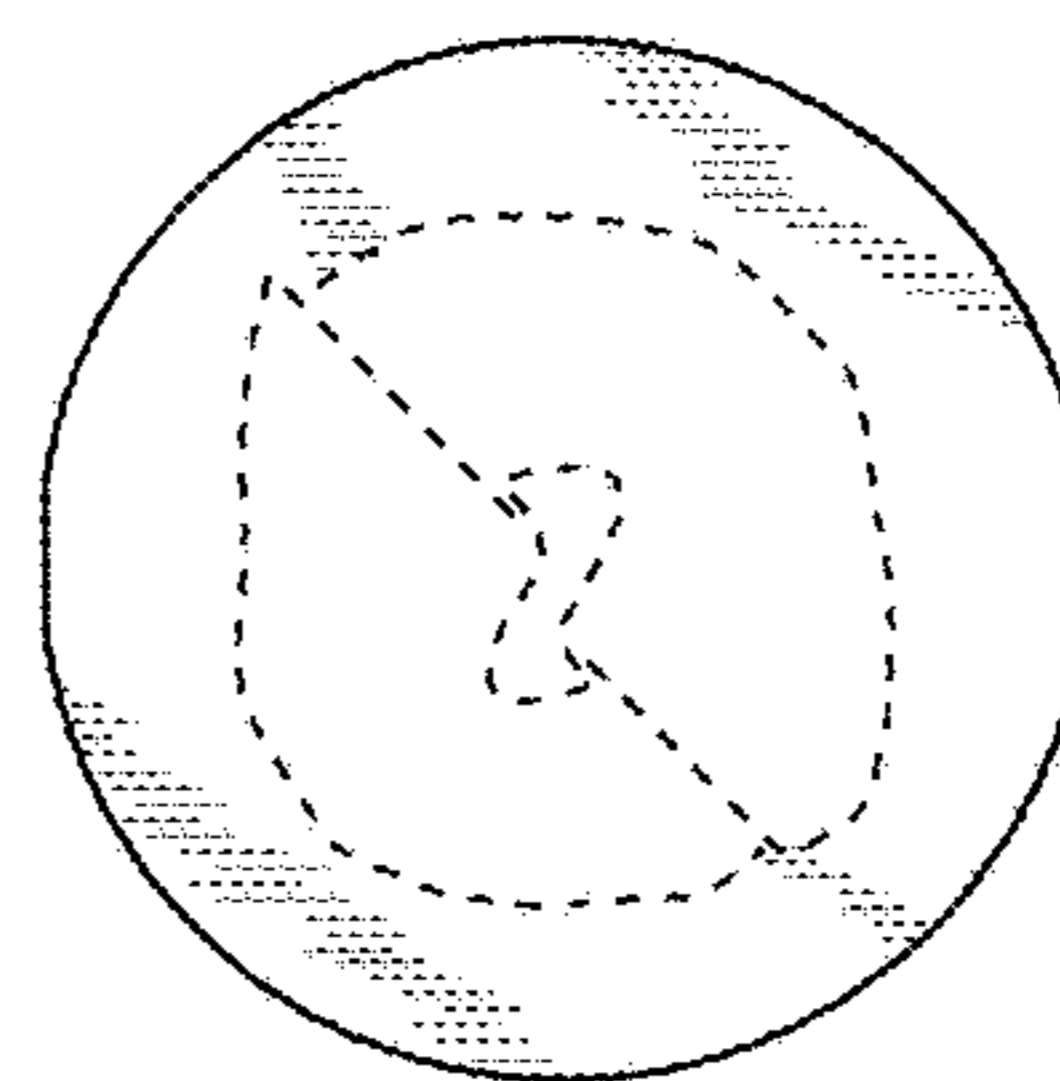


FIG. 8