



US00D849407S

(12) **United States Design Patent**
Brady

(10) **Patent No.:** **US D849,407 S**

(45) **Date of Patent:** **** May 28, 2019**

(54) **BACKPACK WITH ATTACHED LEG STRAPS AND SEAT CUSHION**

D798,600 S * 10/2017 Johnson D3/318
D809,799 S * 2/2018 Pietruszewski D3/318

* cited by examiner

Primary Examiner — Holly H Baynham

(71) Applicant: **Philip Brady**, Dumont, NJ (US)

(72) Inventor: **Philip Brady**, Dumont, NJ (US)

(73) Assignee: **Philip Brady**, Dumont, NJ (US)

(**) Term: **15 Years**

(21) Appl. No.: **29/633,640**

(22) Filed: **Jan. 15, 2018**

(51) **LOC (11) Cl.** **03-01**

(52) **U.S. Cl.**
USPC **D3/318**

(58) **Field of Classification Search**
USPC D3/216–217, 318
CPC A45C 13/08; A45C 13/26; A45C 13/28;
A45C 5/00; A45C 7/00; A45C 3/00
See application file for complete search history.

(56) **References Cited**

U.S. PATENT DOCUMENTS

5,645,080 A 7/1997 Toso

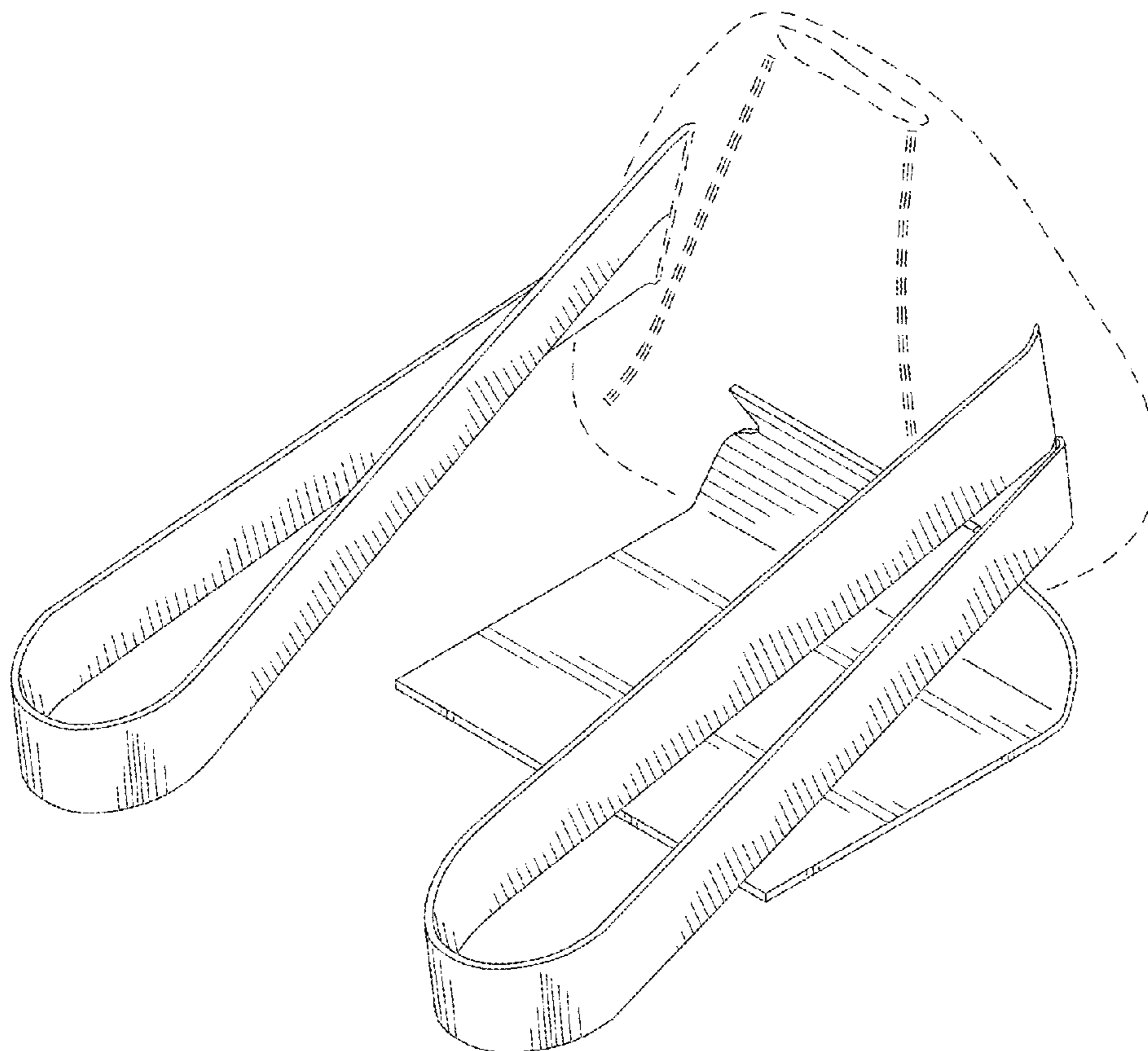
(57) **CLAIM**

The ornamental design for a backpack with attached leg straps and seat cushion, as shown and described.

DESCRIPTION

FIG. 1 is a top front perspective view of a backpack with attached leg straps and seat cushion; FIG. 2 is a front elevation view thereof; FIG. 3 is a rear elevation view thereof; FIG. 4 is a top elevation view thereof; FIG. 5 is a bottom elevation view thereof; and, FIG. 6 is a right side elevation view thereof, the left side elevation view being a mirror image thereof. The broken lines shown in the drawings depict portions of a backpack with attached leg straps and seat cushion that form no part of the claimed invention.

1 Claim, 5 Drawing Sheets



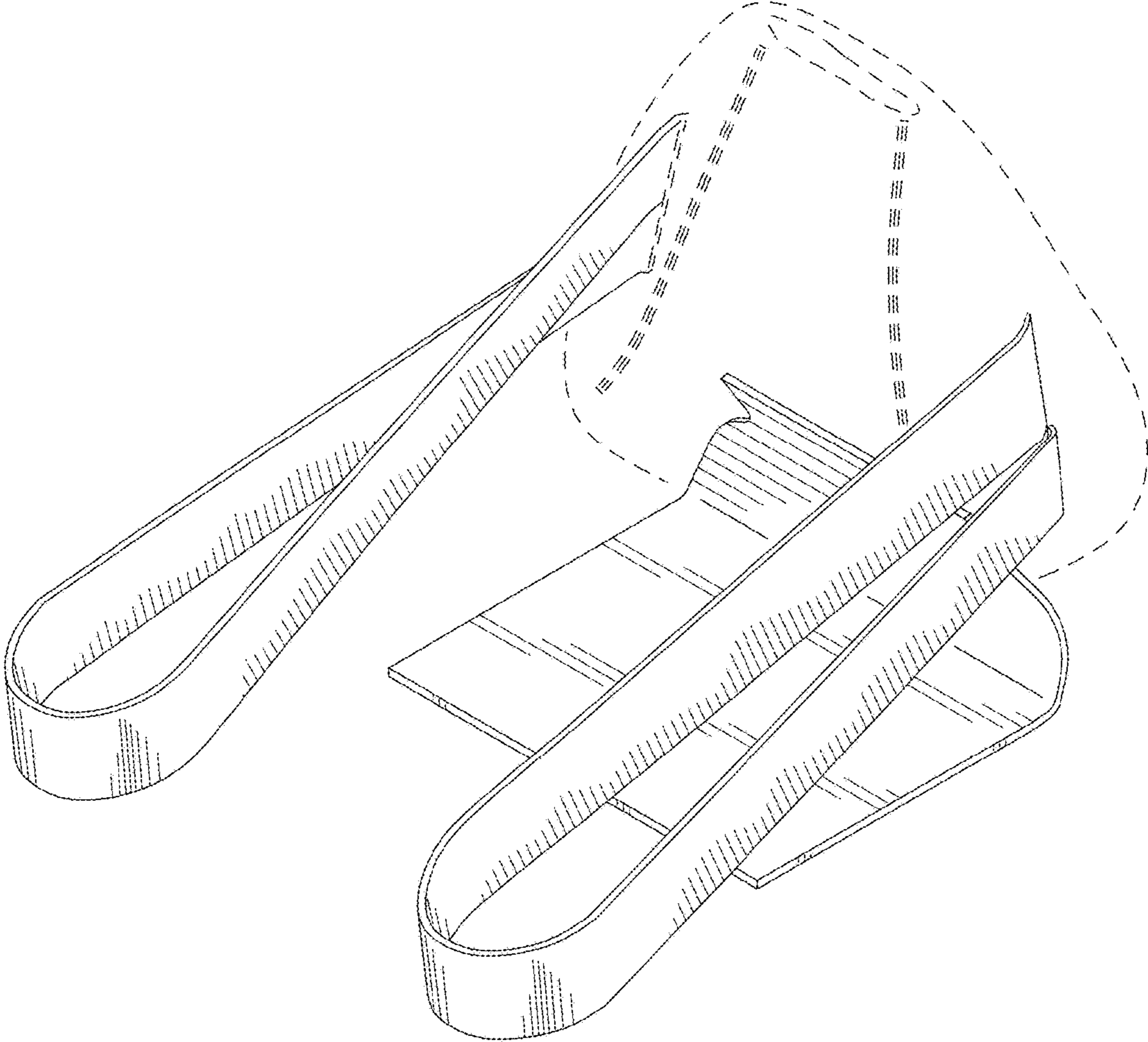


FIG. 1

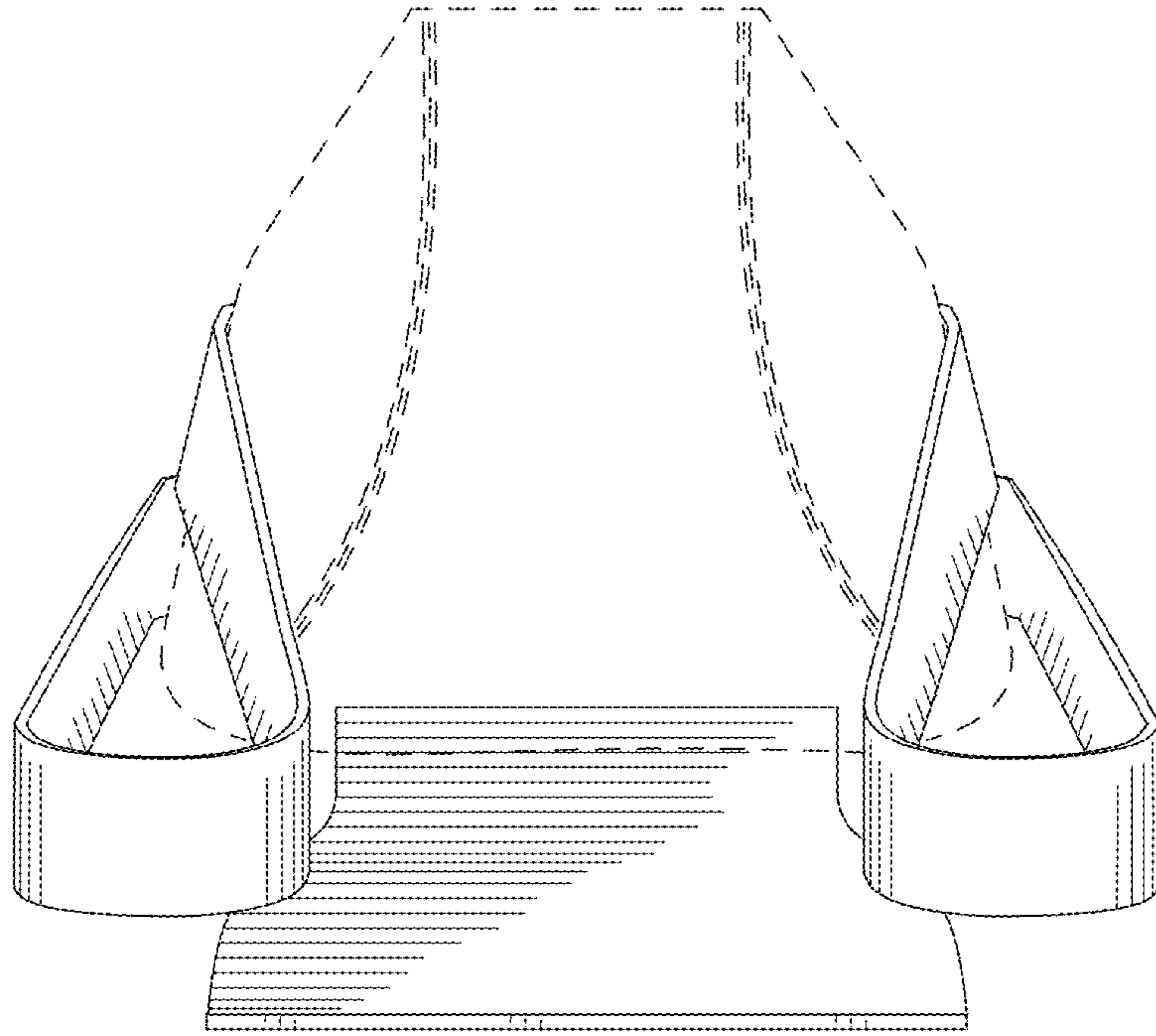


FIG. 2

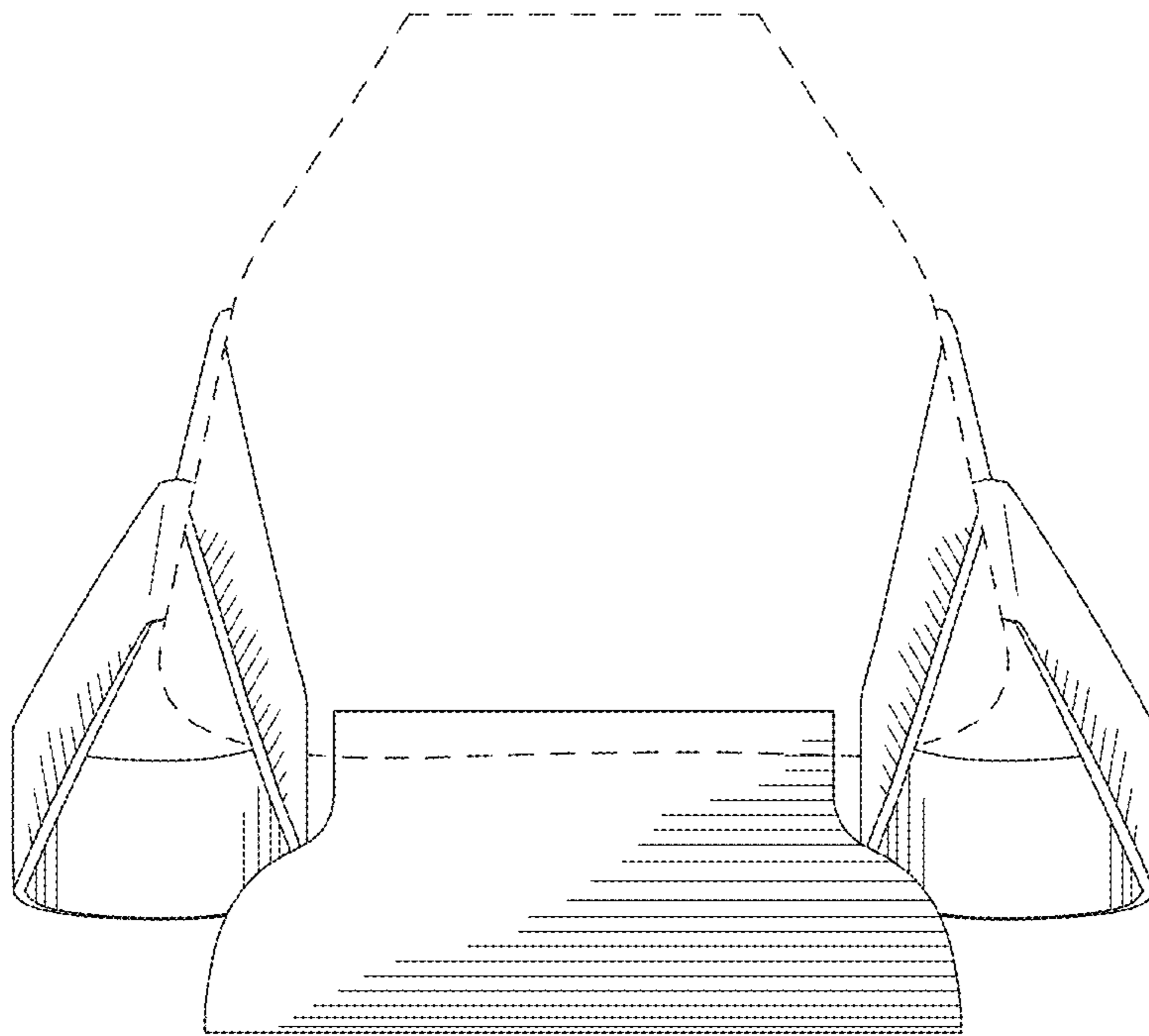


FIG. 3

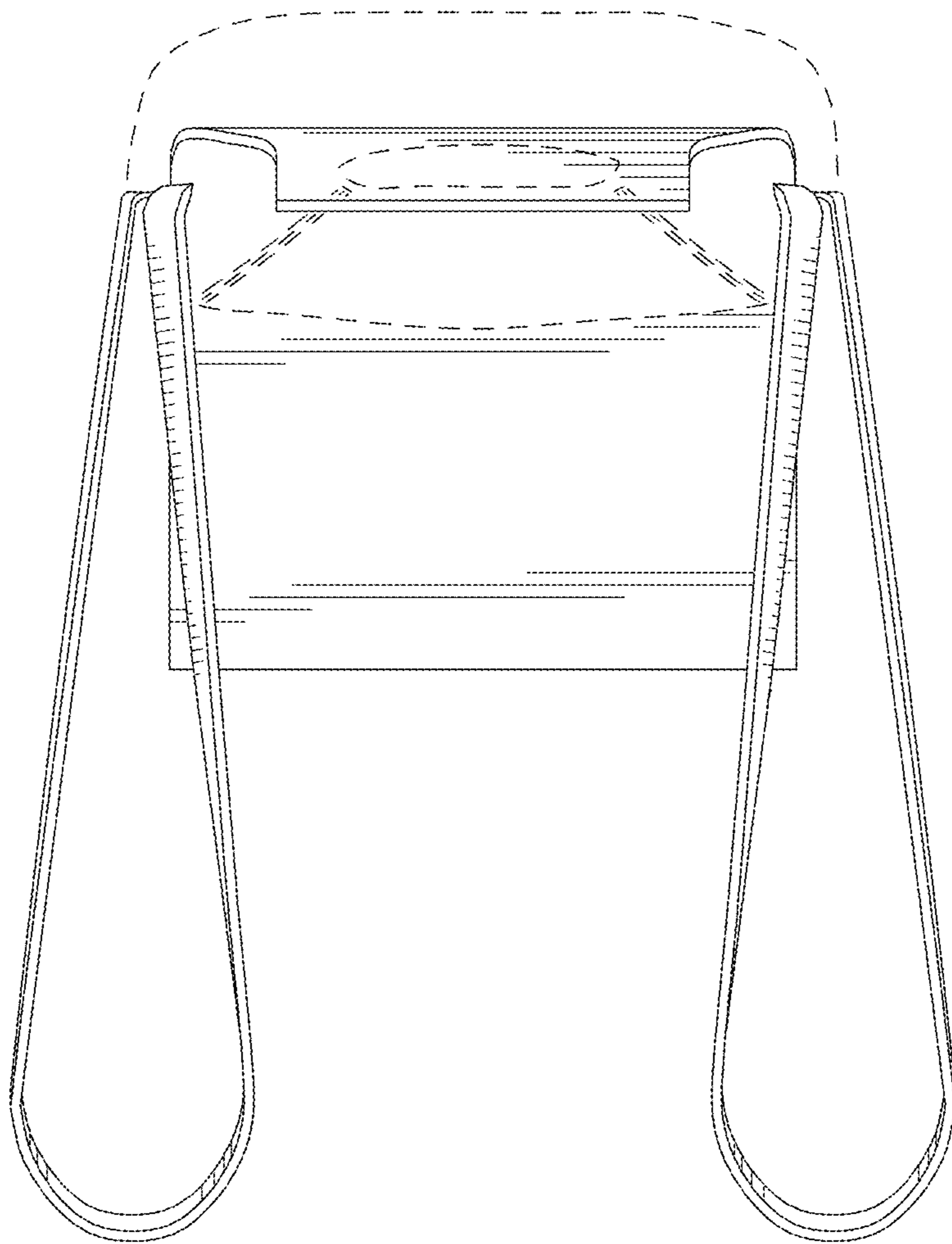


FIG.4

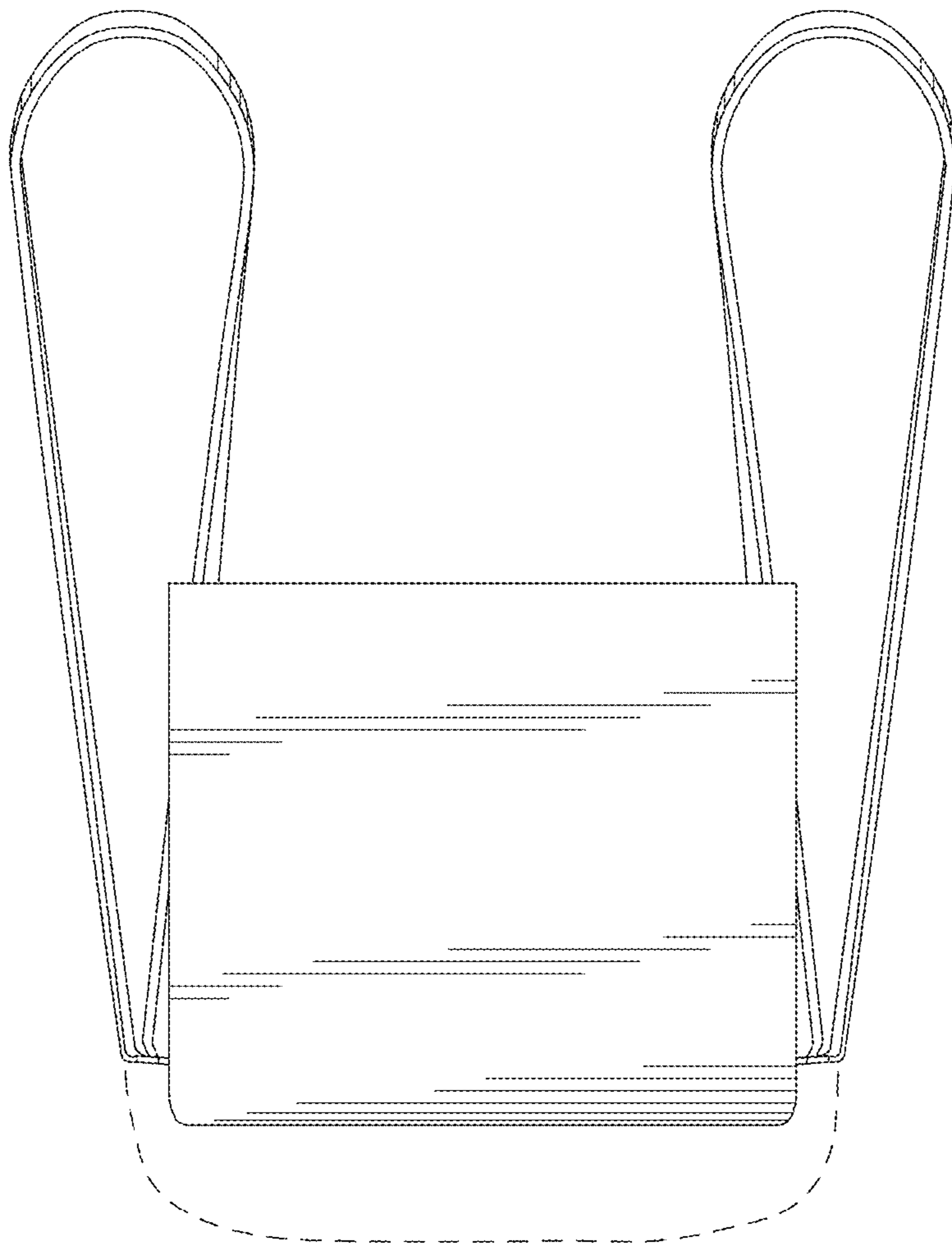


FIG. 5

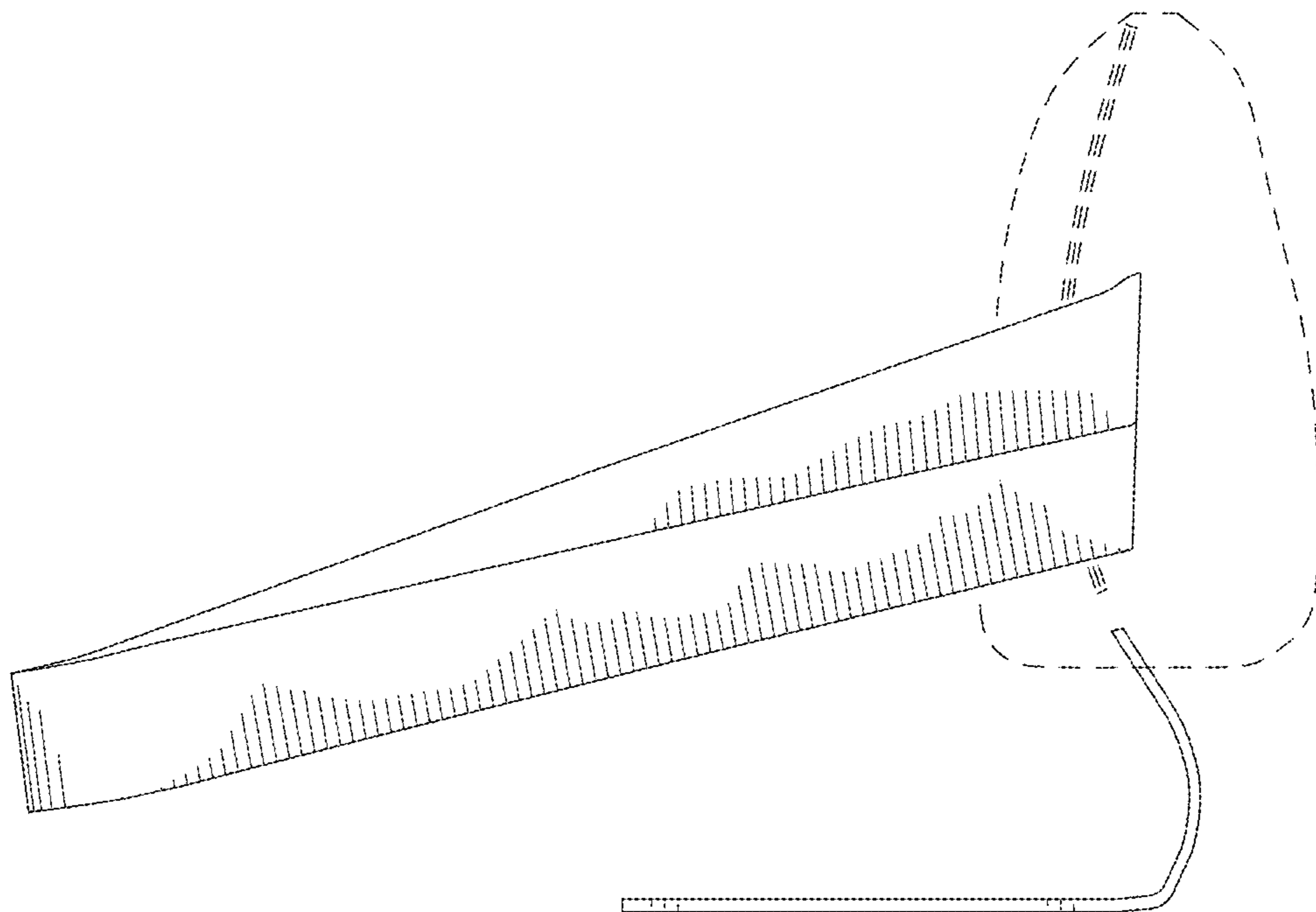


FIG.6