

US00D849405S

(12) **United States Design Patent** (10) **Patent No.:** **US D849,405 S**  
**Chen** (45) **Date of Patent:** **\*\* \*May 28, 2019**

(54) **FASTENER CONTAINER**  
(71) Applicant: **CHENG YU ENTERPRISES CO., LTD.**, Tainan (TW)  
(72) Inventor: **Min-Chien Chen**, Tainan (TW)  
(73) Assignee: **CHENG YU ENTERPRISES CO., LTD.**, Tainan (TW)

D676,759 S \* 2/2013 Jang ..... D9/425  
D741,167 S \* 10/2015 Bouveret ..... D9/425  
D741,704 S \* 10/2015 Bouveret ..... D9/425  
D742,224 S \* 11/2015 Thurin ..... D7/629  
D742,737 S \* 11/2015 Huang ..... D9/425  
D760,073 S \* 6/2016 Mather ..... D9/432  
D780,573 S \* 3/2017 Son ..... D9/425  
D784,629 S \* 4/2017 Farrish ..... D3/273  
D790,219 S \* 6/2017 Huang ..... D3/276  
D814,920 S \* 4/2018 Georgiadis ..... D9/420  
D821,749 S \* 7/2018 Nilsson ..... D3/302  
2014/0312046 A1\* 10/2014 Yang ..... B65D 43/0254  
220/792

(\* ) Notice: This patent is subject to a terminal disclaimer.

(\*\*) Term: **15 Years**

(21) Appl. No.: **29/612,387**

(22) Filed: **Jul. 31, 2017**

(51) **LOC (11) Cl.** ..... **03-01**

(52) **U.S. Cl.**  
USPC ..... **D3/302; D3/905**

(58) **Field of Classification Search**  
USPC ..... D3/201, 203.6, 205, 203.1, 232, 259,  
D3/260, 273, 272, 276, 279, 282, 284,  
D3/302, 294, 900, 905, 904; D9/414,  
D9/418, 430, 432, 433, 425  
CPC .... B25H 3/00; B25H 3/02; A45C 5/00; A45C  
5/04; A45C 5/08; A45C 2011/007; A45C  
11/00

See application file for complete search history.

(56) **References Cited**

**U.S. PATENT DOCUMENTS**

D330,161 S \* 10/1992 Schuh ..... D9/423  
D397,552 S \* 9/1998 Rutledge ..... D3/302  
D437,686 S \* 2/2001 Balzar ..... D3/302  
D555,476 S \* 11/2007 Nielsen ..... D9/425  
D618,516 S \* 6/2010 DiPietro ..... D7/629  
7,735,674 B2 \* 6/2010 Cai ..... B65D 43/0254  
220/324  
D664,427 S \* 7/2012 Chen ..... D9/425

**OTHER PUBLICATIONS**

Packaging Network, "IPL Introduces A Complete Line Of Clear Plastic Containers For Nails and Fasteners", Uploaded Apr. 11, 2006. (<https://www.packagingnetwork.com/doc/ipl-introduces-a-complete-line-of-clear-plast-0001>) (Year: 2006).\*

(Continued)

*Primary Examiner* — Jennifer Rivard

*Assistant Examiner* — April Rivas

(74) *Attorney, Agent, or Firm* — J.C. Patents

(57) **CLAIM**

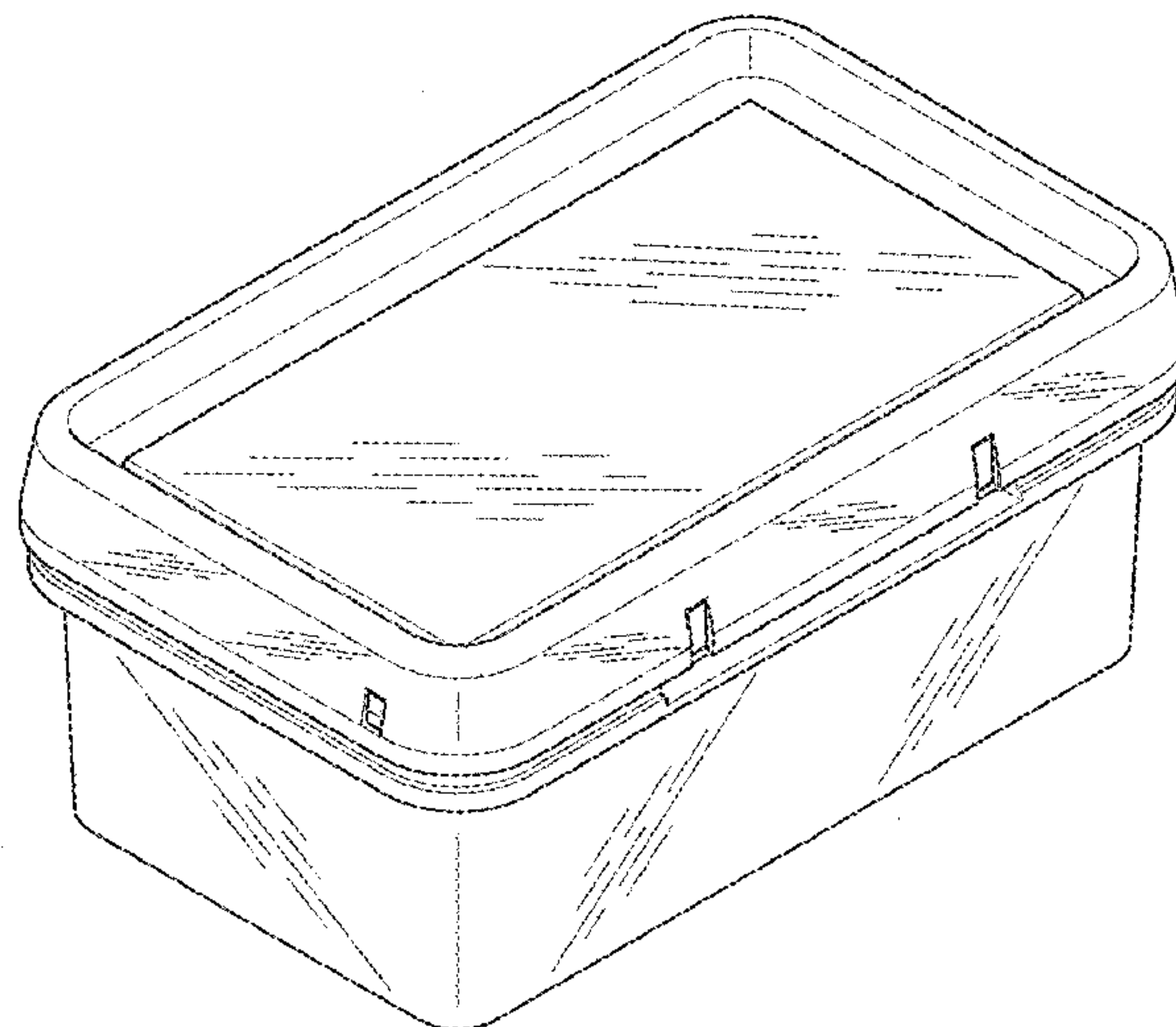
The ornamental design for a fastener container, as shown and described.

**DESCRIPTION**

FIG. 1 is a perspective view of a fastener container;  
FIG. 2 is a front view thereof;  
FIG. 3 is a rear view thereof;  
FIG. 4 is a left side view thereof;  
FIG. 5 is a right side view thereof;  
FIG. 6 is a top view thereof; and,  
FIG. 7 is a bottom view thereof.

The broken lines illustrate portions of the fastener container and form no part of the claimed design.

**1 Claim, 4 Drawing Sheets**



(56)

**References Cited**

OTHER PUBLICATIONS

Tool Guyd, "New Kreg Screw Storage System", Posted Aug. 8, 2016. (<https://toolguyd.com/kreg-screw-organizer-system/>) (Year: 2016).\*

\* cited by examiner

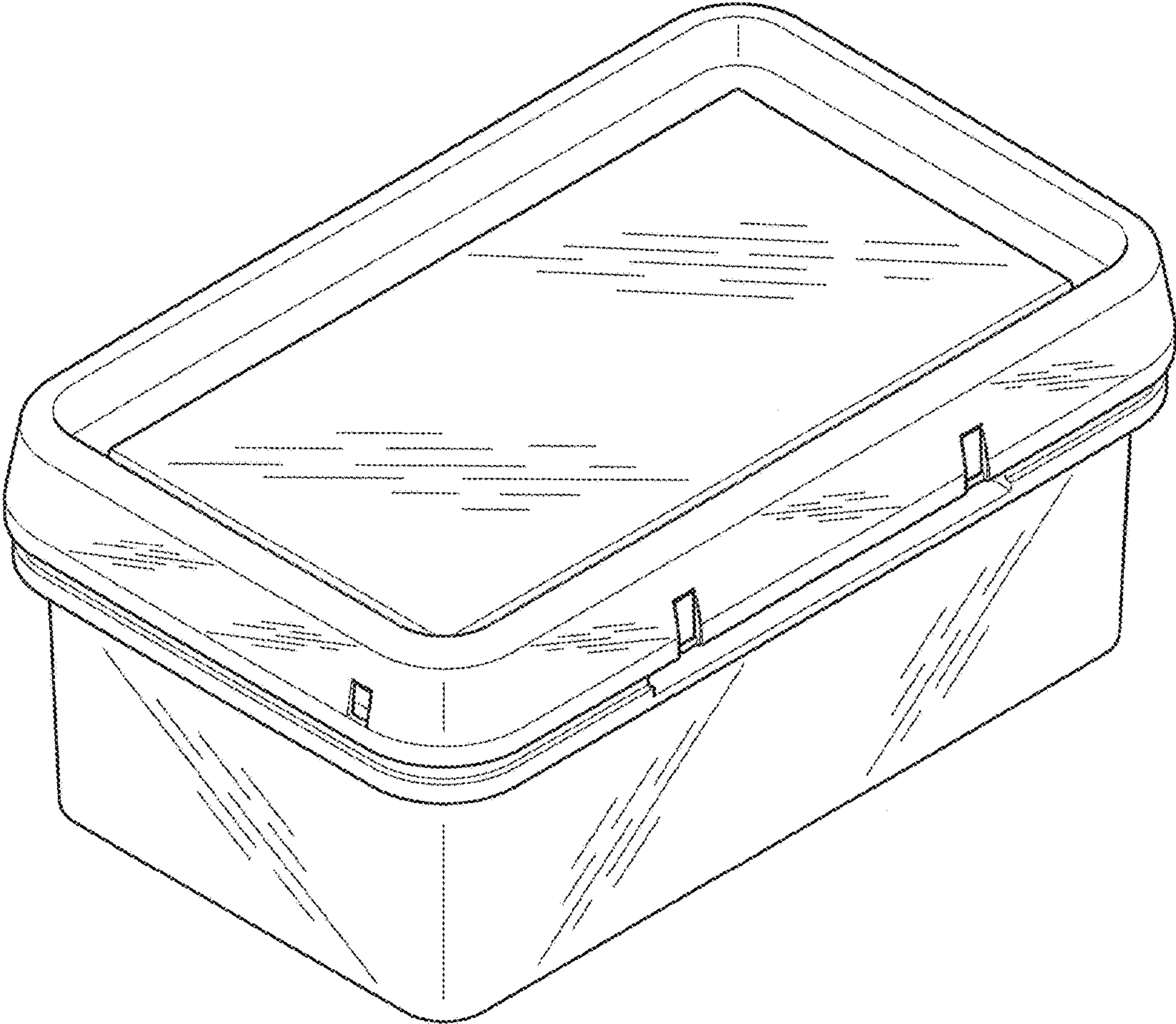


FIG 1

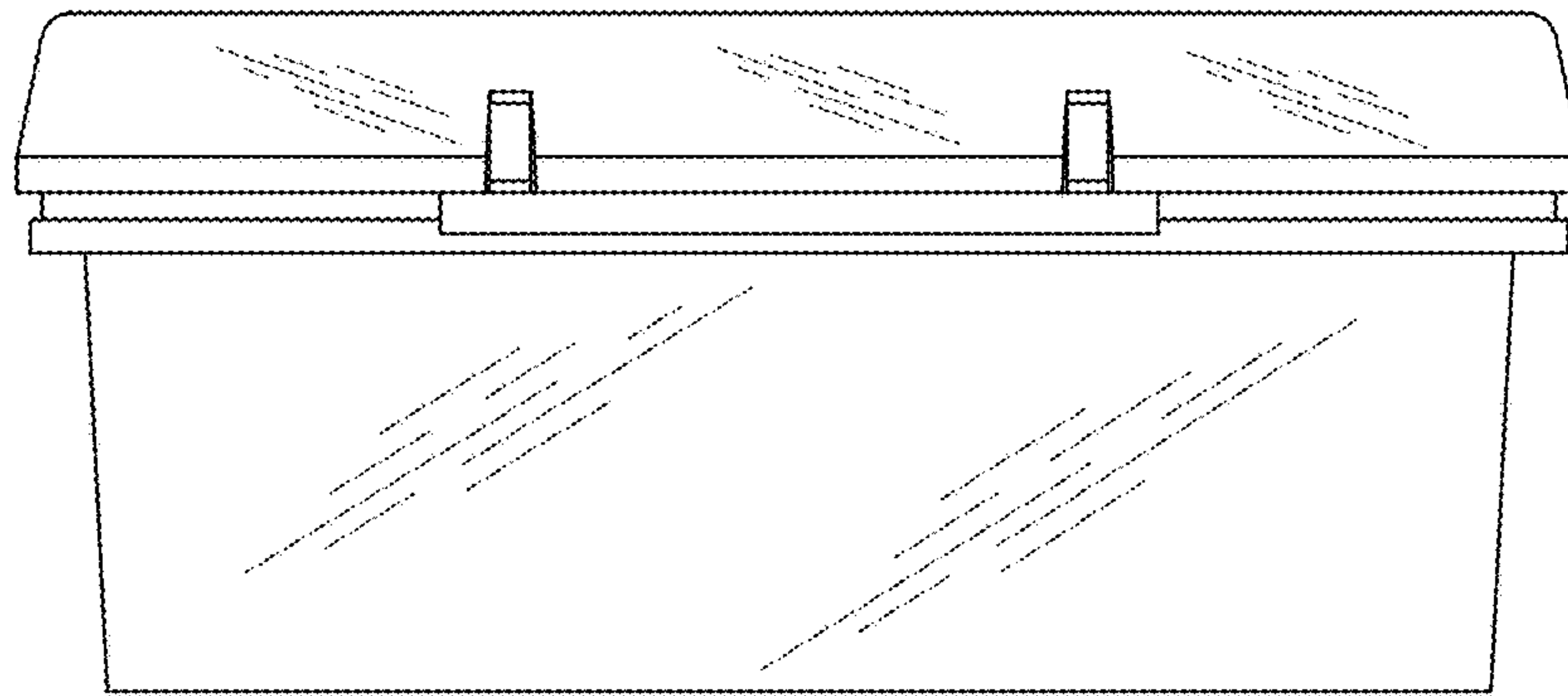


FIG 2

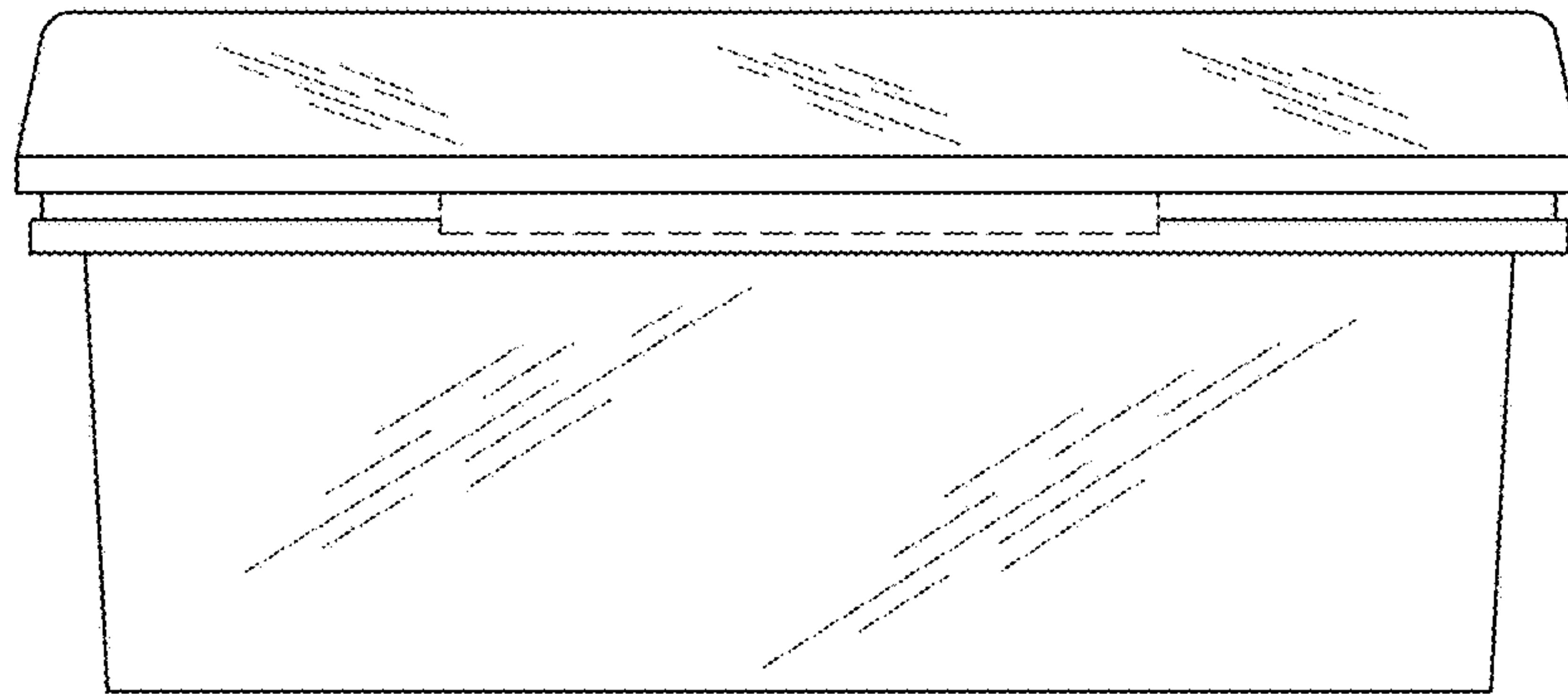


FIG 3

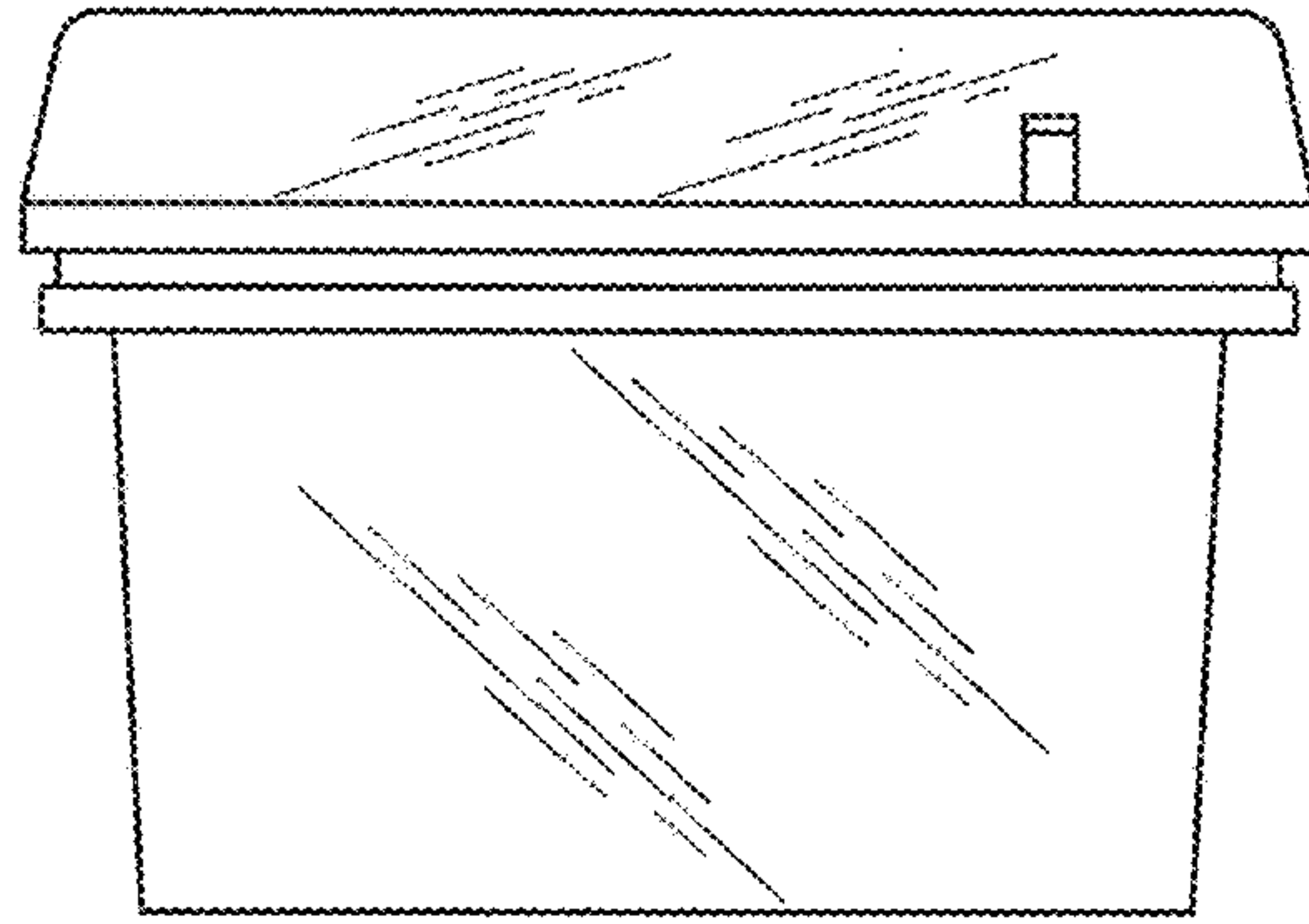


FIG 4

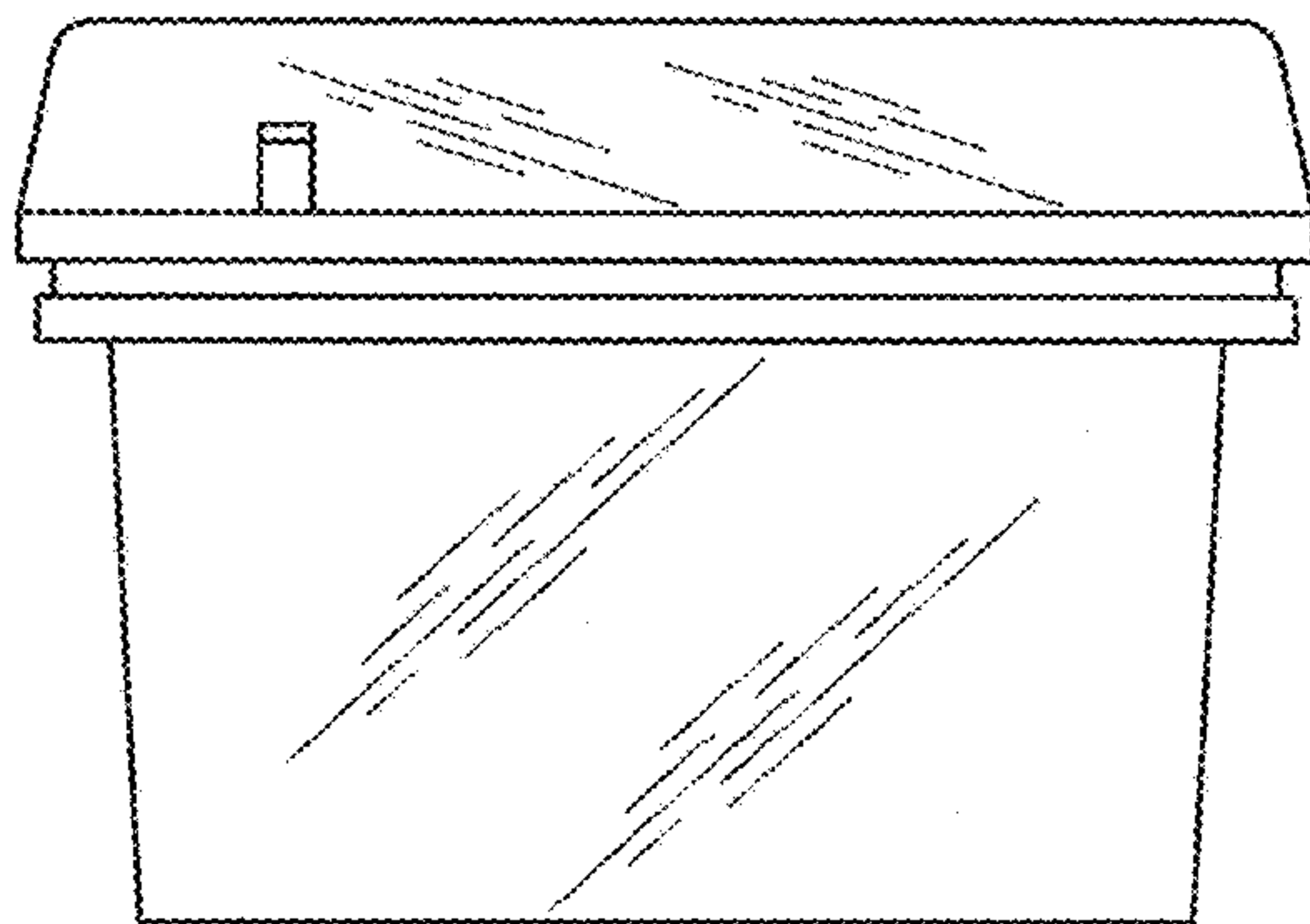


FIG 5



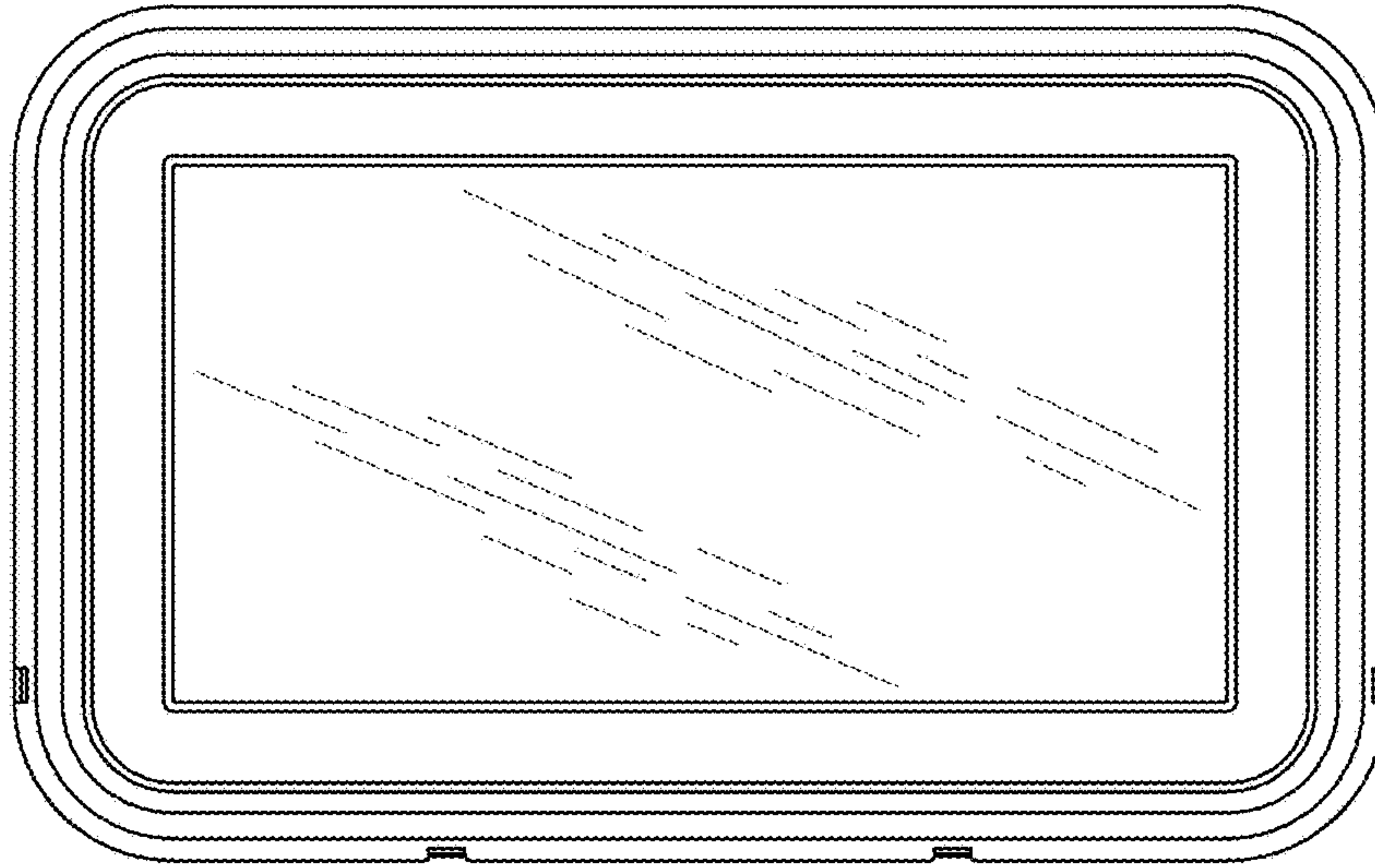


FIG 6

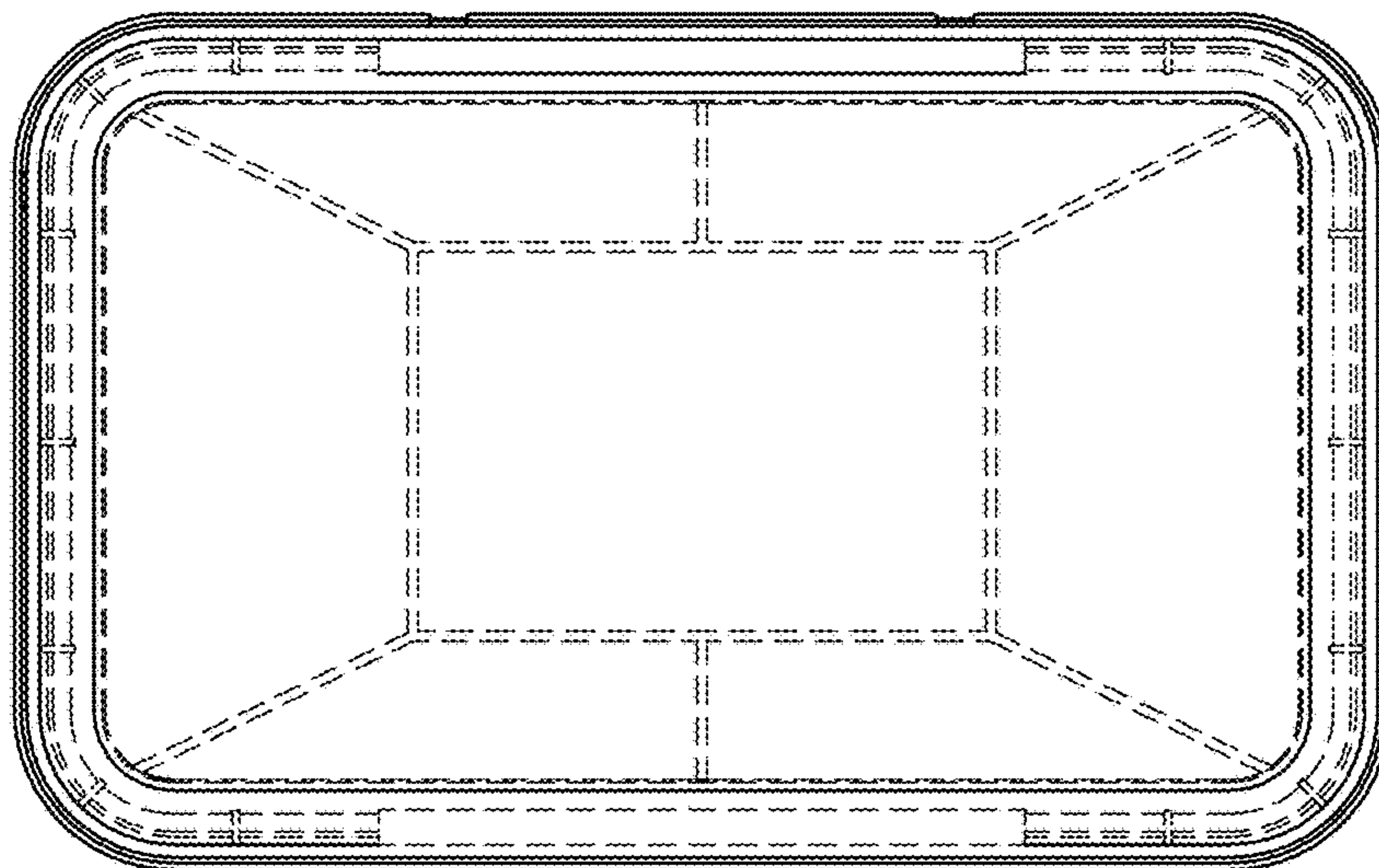


FIG 7