



US00D849404S

(12) **United States Design Patent** (10) **Patent No.:** **US D849,404 S**
Tricault (45) **Date of Patent:** **** May 28, 2019**

(54) **SUITCASE**

2013/306; A45C 3/00; A45C 3/001; A45C 5/04; A45C 7/0054; A45C 7/0077; A45C 9/00

(71) Applicant: **QUIETUDE.IO**, Langoiran (FR)

See application file for complete search history.

(72) Inventor: **Jérôme Tricault**, Langoiran (FR)

(56) **References Cited**

(**) Term: **15 Years**

U.S. PATENT DOCUMENTS

(21) Appl. No.: **35/503,831**

D383,603 S *	9/1997	Pedlar	D3/279
D476,153 S *	6/2003	Sadr	D3/279
D522,747 S *	6/2006	Tortorella	D3/279
D637,811 S *	5/2011	Hong	D3/272
D692,658 S *	11/2013	Bensman	D3/279
D701,696 S *	4/2014	Shitrit	D3/279
D742,638 S *	11/2015	Melanson	D3/274
D769,619 S *	10/2016	Sheikh	D3/273
D782,193 S *	3/2017	Jose	D3/279

(22) Filed: **Oct. 6, 2017**

(80) **Hague Agreement Data**

Int. Filing Date: **Oct. 6, 2017**
 Int. Reg. No.: **DM/097998**
 Int. Reg. Date: **Oct. 6, 2017**
 Int. Reg. Pub. Date: **Oct. 20, 2017**

* cited by examiner

(51) **LOC (11) Cl.** **03-01**

Primary Examiner — Khawaja Anwar

(52) **U.S. Cl.**
USPC **D3/279**

(57) **CLAIM**

The ornamental design for a suitcase, as shown and described.

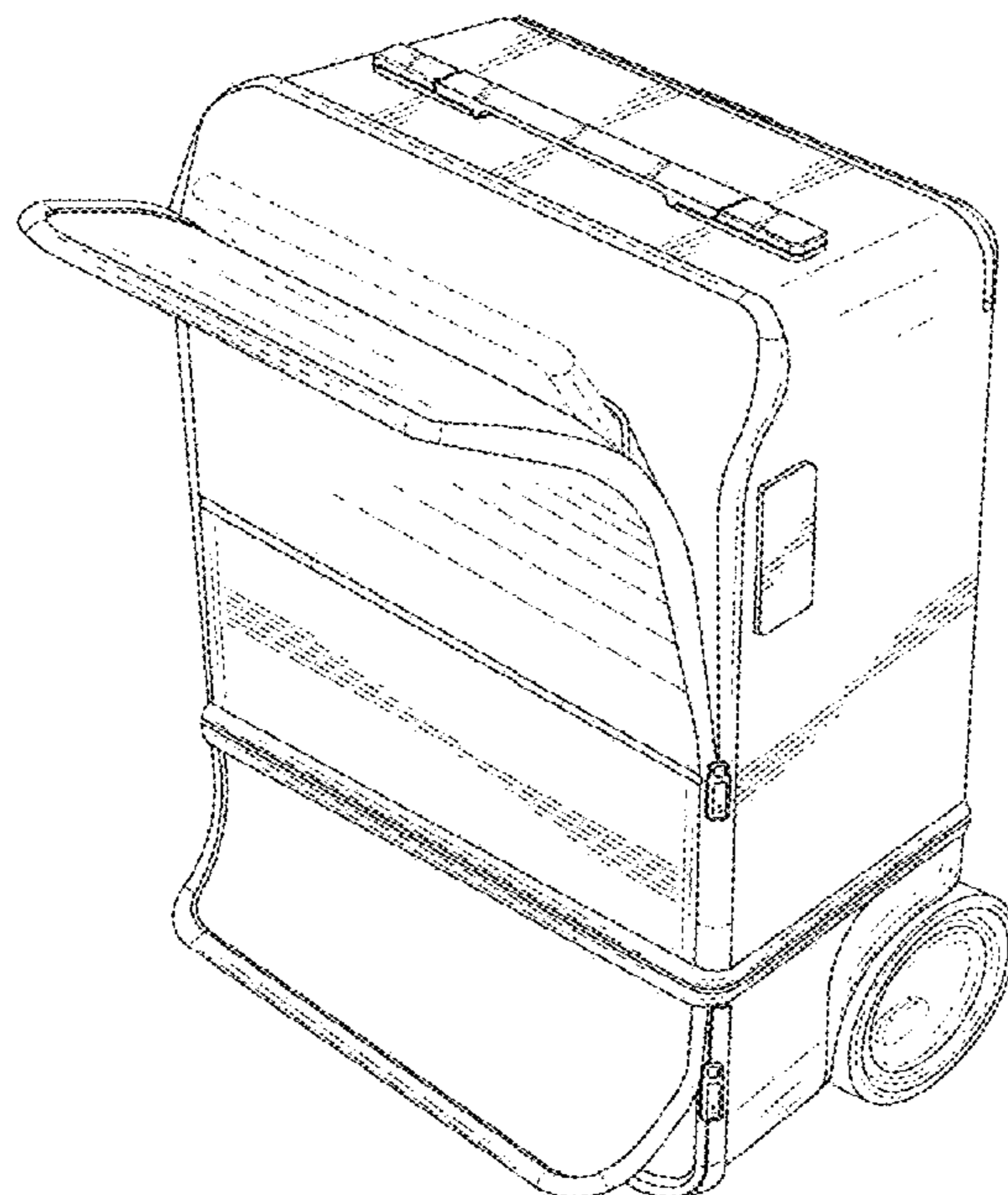
(58) **Field of Classification Search**

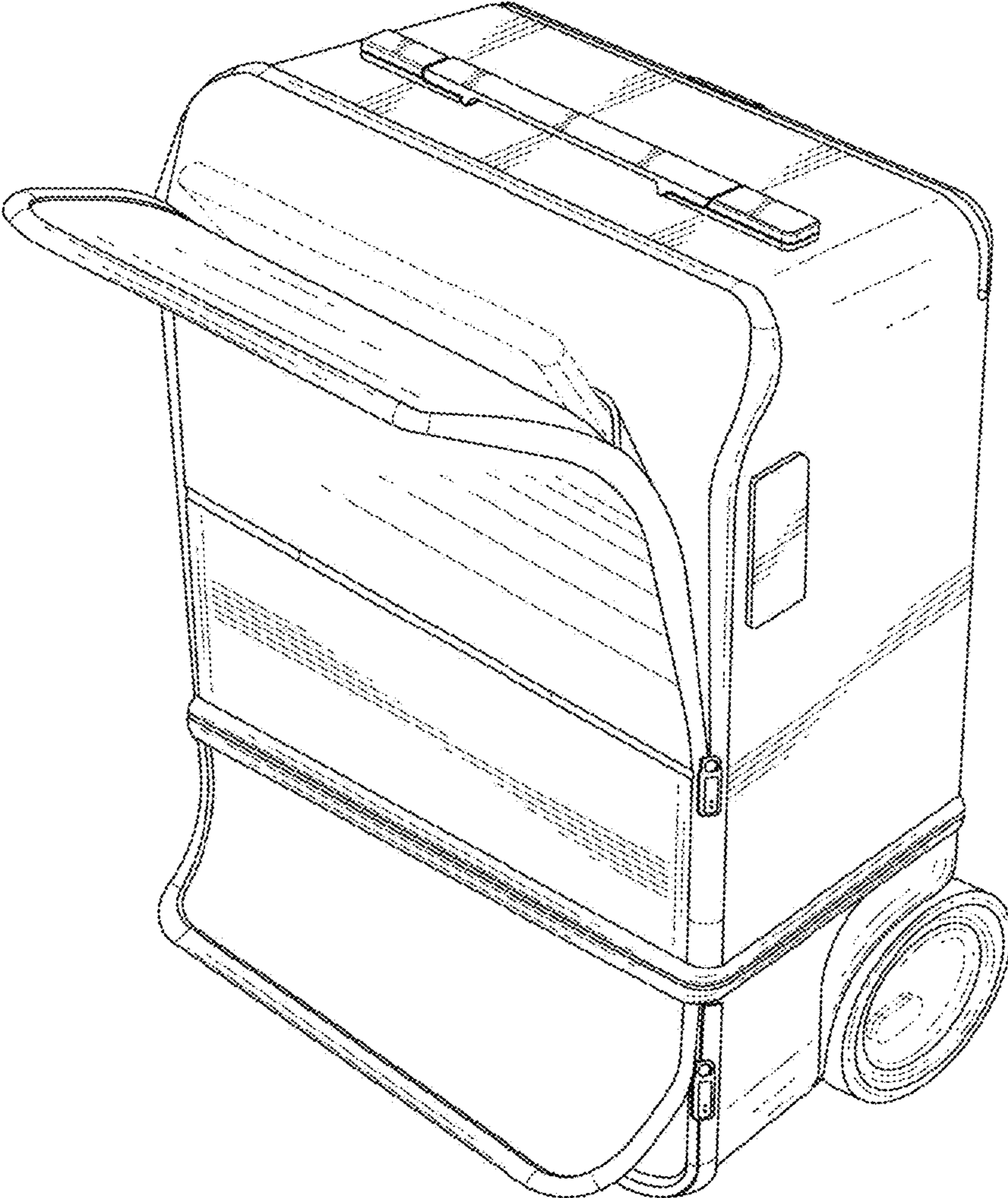
USPC D3/272, 273, 276, 279, 281, 282, 285, D3/289, 287, 321, 902
 CPC .. A45C 5/14; A45C 13/18; A45C 5/03; A45C 13/103; A45C 13/262; A45C 7/0036; A45C 13/10; A45C 13/30; A45C 13/42; A45C 15/00; A45C 2013/267; A45C 3/06; A45C 7/0022; A45C 13/005; A45C 13/02; A45C 13/03; A45C 13/1046; A45C 13/185; A45C 13/20; A45C 13/26; A45C 13/28; A45C 13/36; A45C 1/02; A45C 2003/007; A45C 2003/008; A45C 2005/035; A45C 2005/037; A45C 2005/148; A45C 2013/026; A45C

DESCRIPTION

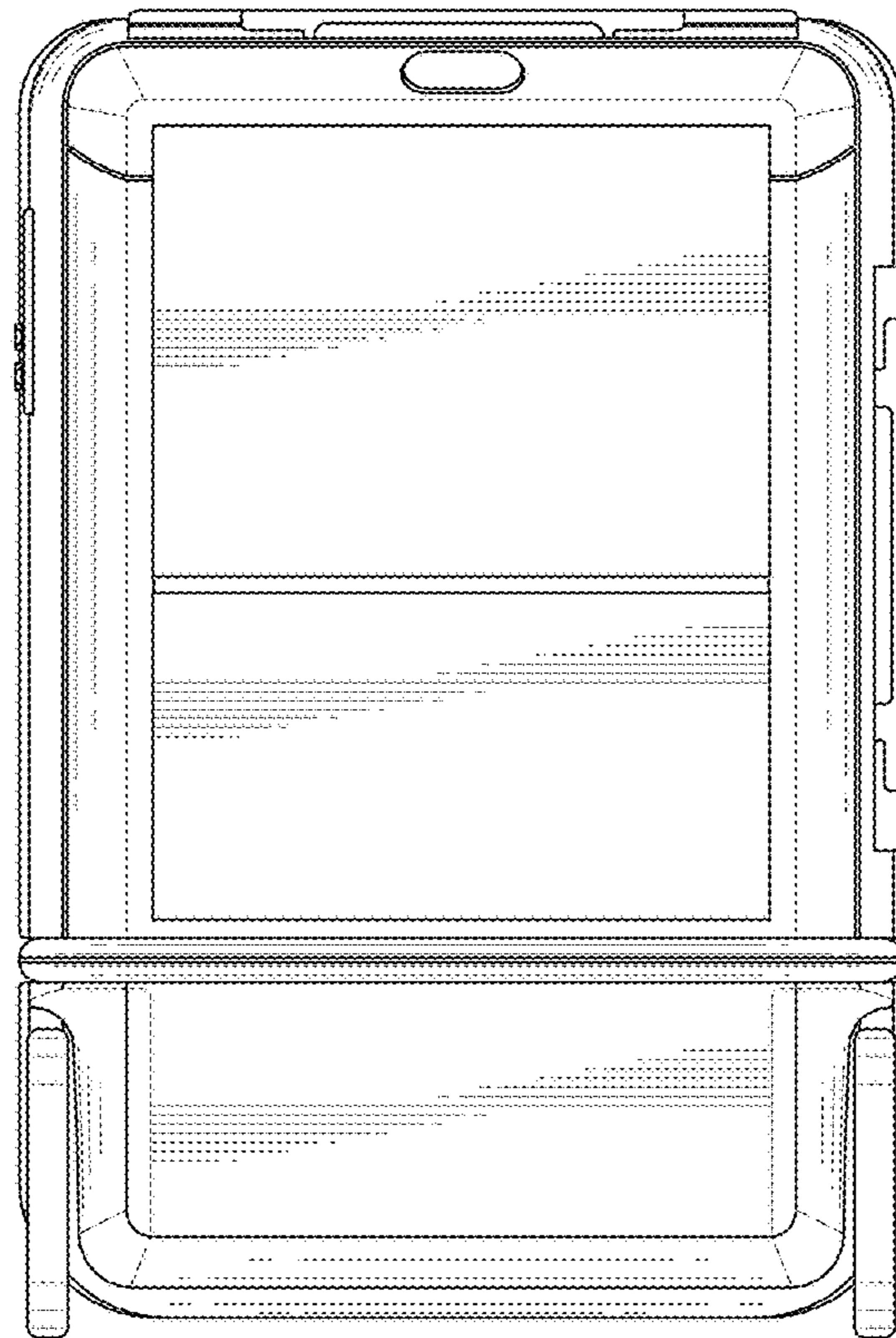
FIG. 1.1 is a right top perspective;
 FIG. 1.2 is a rear elevation;
 FIG. 1.3 is a front elevation;
 FIG. 1.4 is another right top perspective;
 FIG. 1.5 is a right rear perspective;
 FIG. 1.6 is another right rear perspective; and
 FIG. 1.7 is a side elevation.
 The portions of the suitcase shown in broken lines form no part of the claimed design.

1 Claim, 7 Drawing Sheets

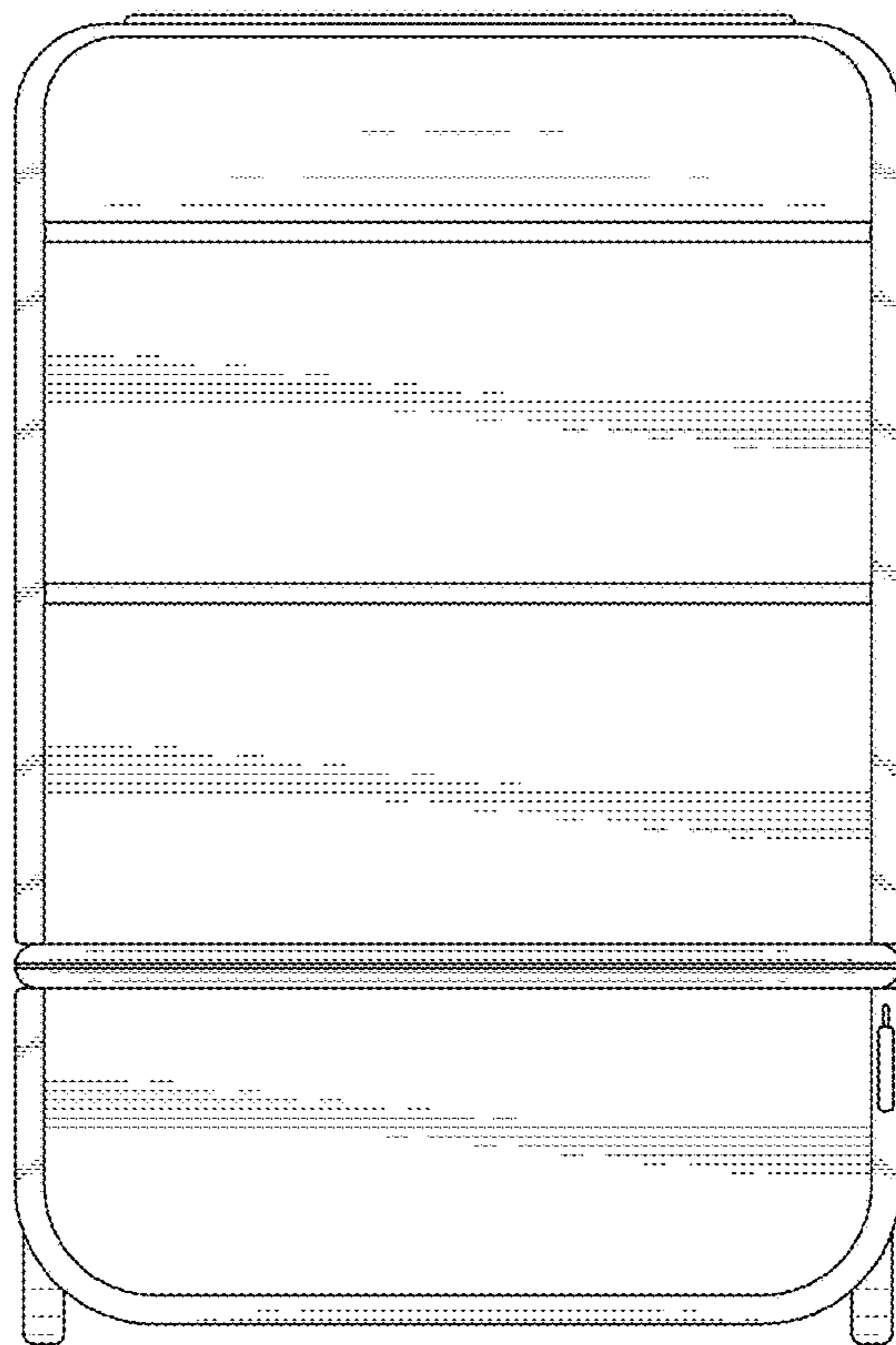




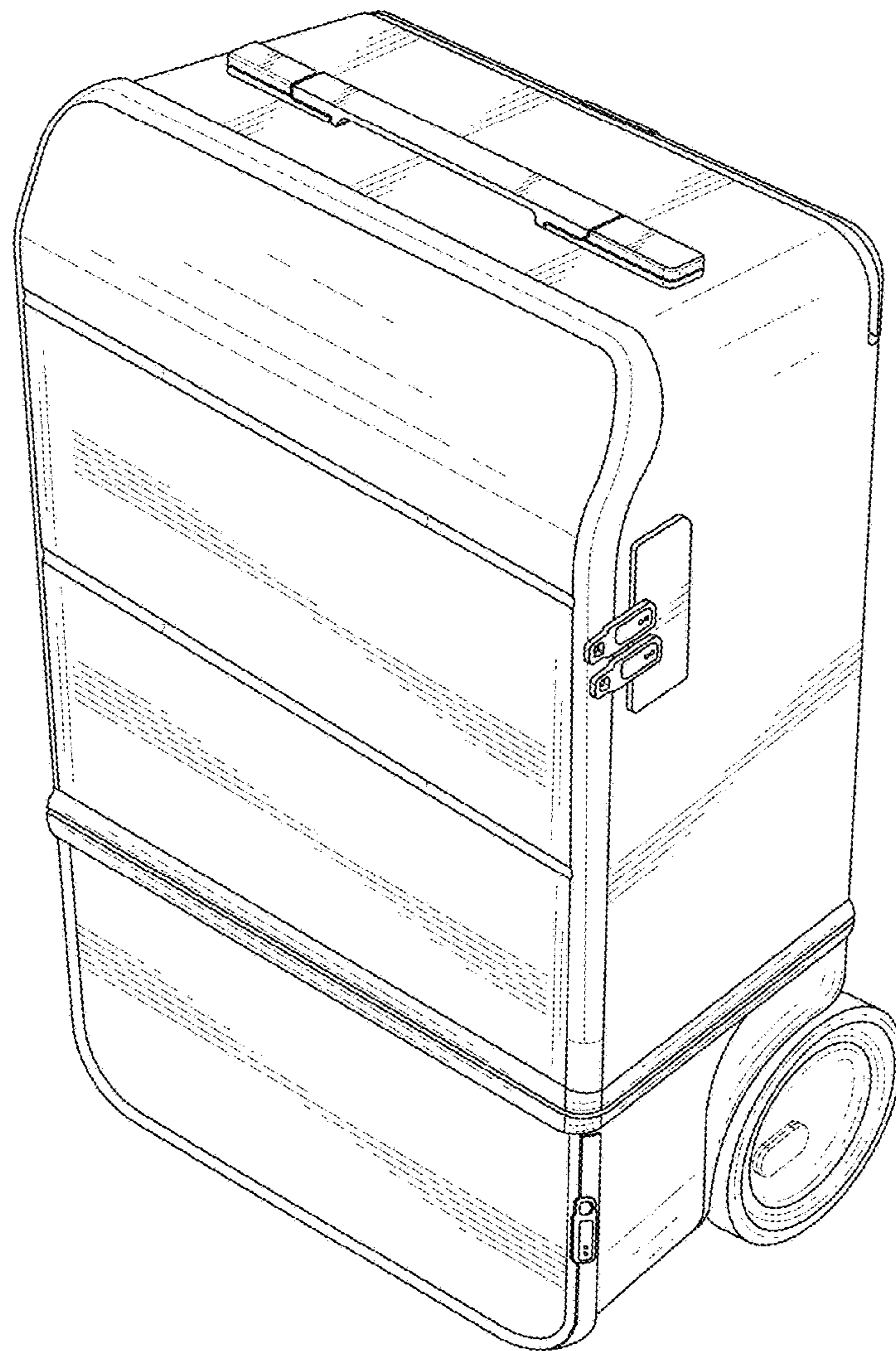
1.1



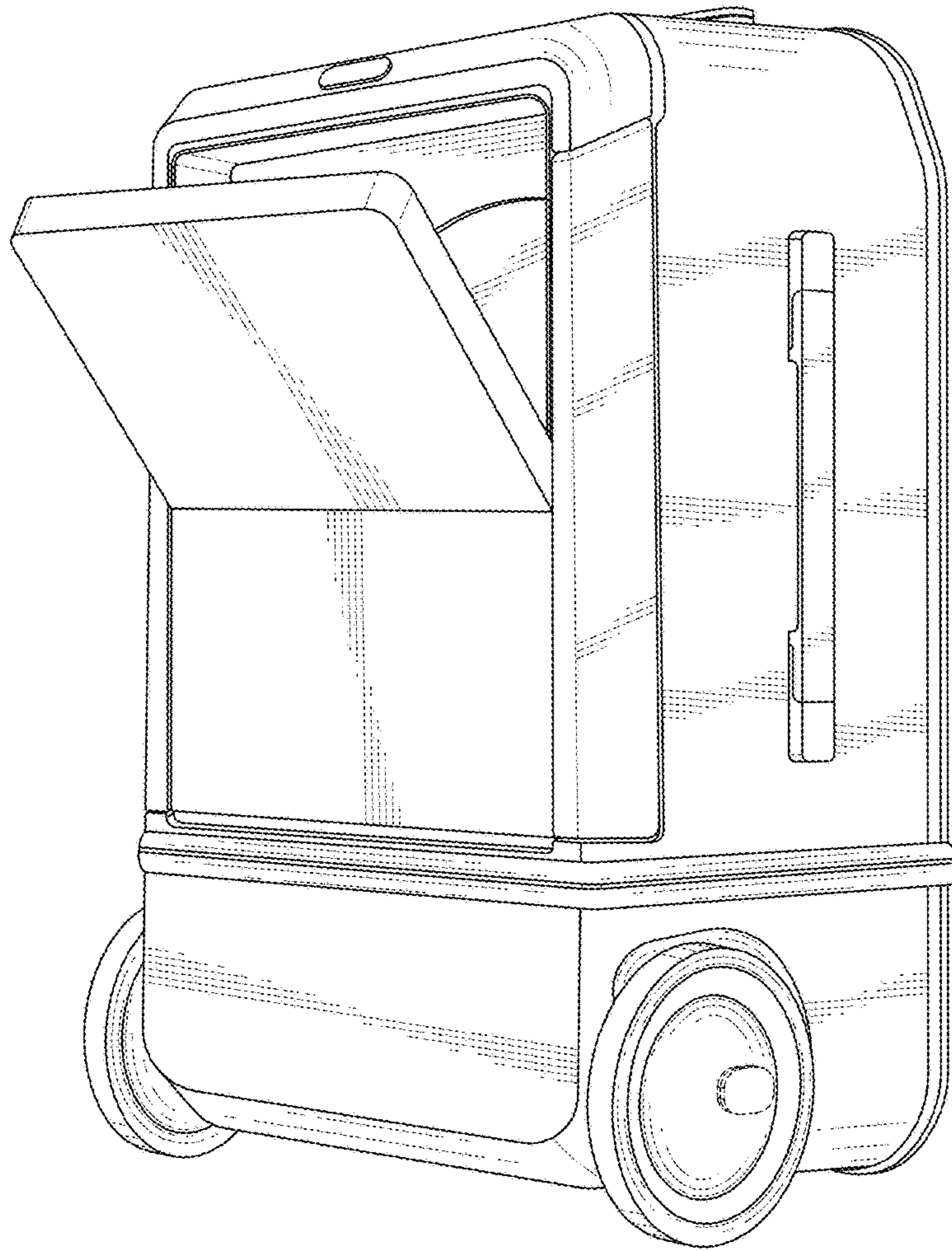
1.2



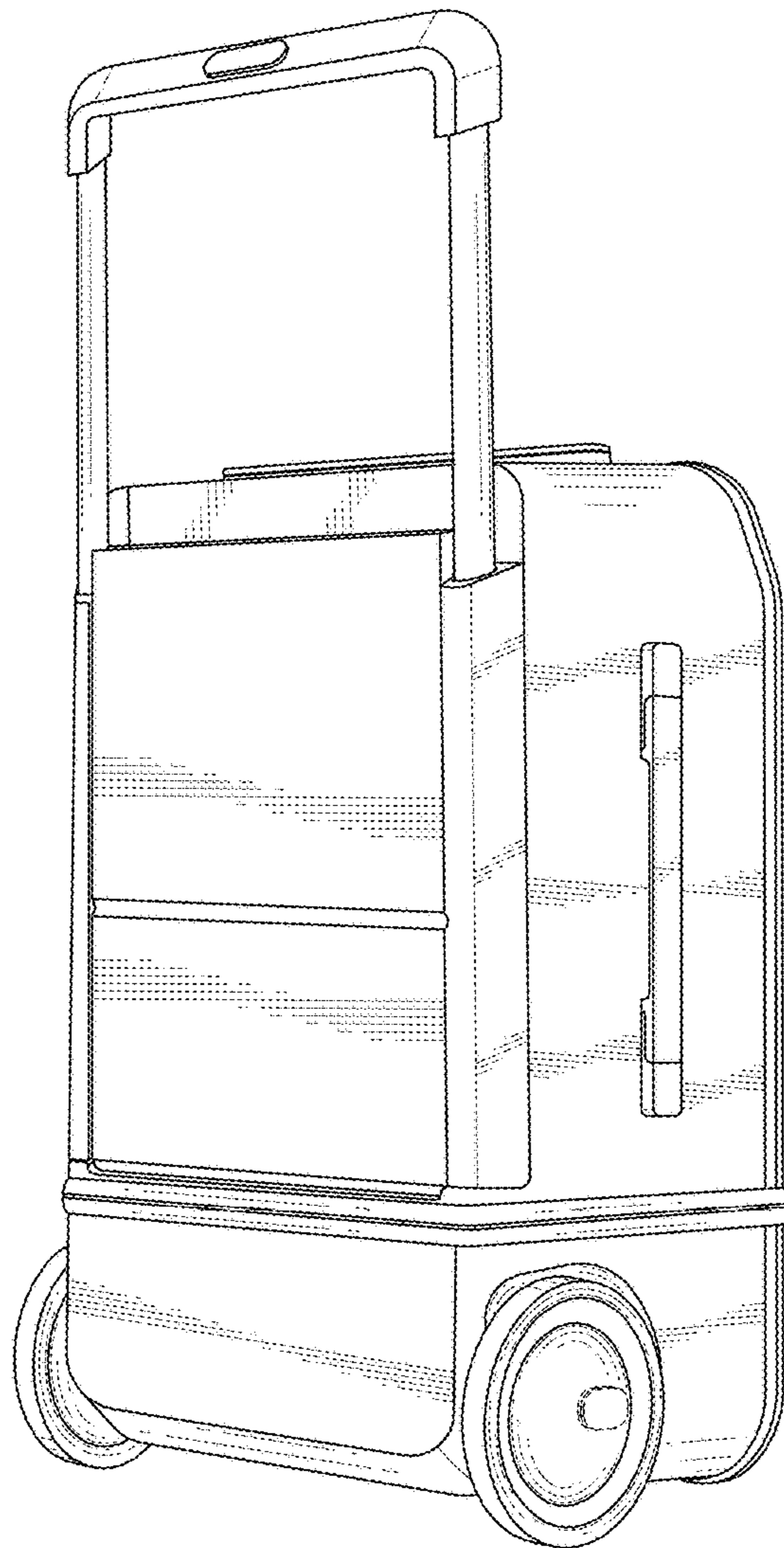
1.3



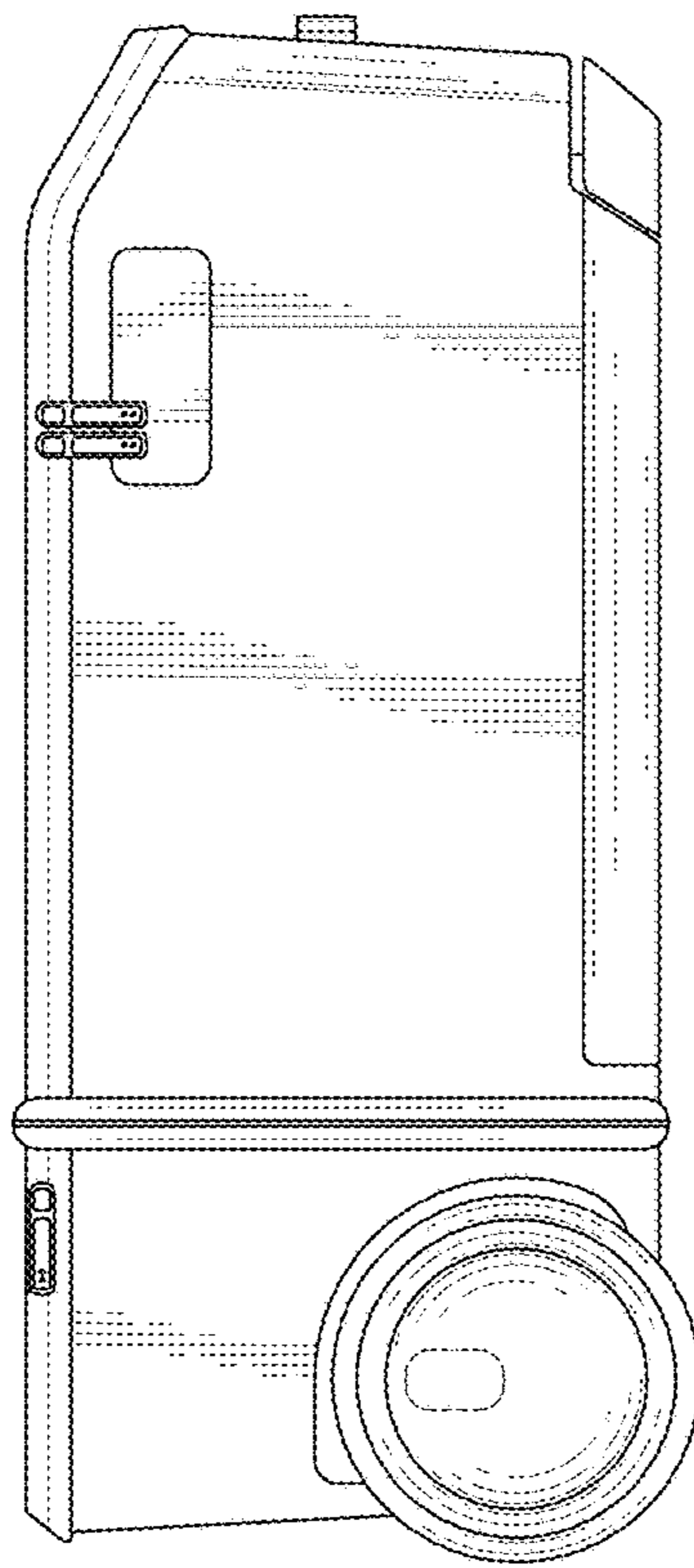
1.4



1.5



1.6



1.7