

US00D849402S

(12) **United States Design Patent**  
**Tonelli**

(10) **Patent No.:** **US D849,402 S**

(45) **Date of Patent:** **\*\* May 28, 2019**

(54) **TRUNK**

(71) Applicant: **G.T. LINE S.R.L.**, Frazione  
Crespellano (IT)

(72) Inventor: **Massimo Tonelli**, Bologna (IT)

(73) Assignee: **G.T. LINE S.R.L.**, Frazione  
Crespellano (IT)

(\*\*) Term: **15 Years**

(21) Appl. No.: **29/608,997**

(22) Filed: **Jun. 27, 2017**

(30) **Foreign Application Priority Data**

Dec. 27, 2016 (EM) ..... 003542364

(51) **LOC (11) Cl.** ..... **03-01**

(52) **U.S. Cl.**  
USPC ..... **D3/276; D3/262; D3/905**

(58) **Field of Classification Search**

USPC ..... D3/201, 203.6, 205, 203.1, 232, 259,  
D3/260, 273, 272, 276, 279, 282, 284,  
D3/302, 294, 900, 905, 904, 262;  
D9/414, 418, 430, 432, 433, 425  
CPC .... B25H 3/00; B25H 3/02; A45C 5/00; A45C  
5/04; A45C 5/08; A45C 2011/007; A45C  
11/00

See application file for complete search history.

(56) **References Cited**

**U.S. PATENT DOCUMENTS**

D294,775 S \* 3/1988 Rechberg ..... D3/279  
D353,048 S \* 12/1994 VanSkiver ..... D3/273  
D439,407 S \* 3/2001 Parker ..... D3/276  
D520,237 S \* 5/2006 Cheng ..... D3/276  
D601,797 S \* 10/2009 Wenchel ..... D3/294  
D711,105 S \* 8/2014 Brunner ..... D3/281  
D727,620 S \* 4/2015 Tonelli ..... D3/276  
D738,106 S \* 9/2015 Shitrit ..... D3/276

D742,640 S \* 11/2015 Sabbag ..... D3/281  
D757,435 S \* 5/2016 Damberg ..... A45C 13/02

D776,523 S \* 1/2017 Sabbag ..... D3/284  
D3/276

(Continued)

**OTHER PUBLICATIONS**

Explorer Cases, "3005 D", Accessed Dec. 27, 2018. (<https://www.explorercases.com/en/products/3005/3005-de-copolymer-polypropylene-waterproof-case/>) (Year: 2018).\*

*Primary Examiner* — Jennifer Rivard

*Assistant Examiner* — April Rivas

(74) *Attorney, Agent, or Firm* — Cantor Colburn LLP

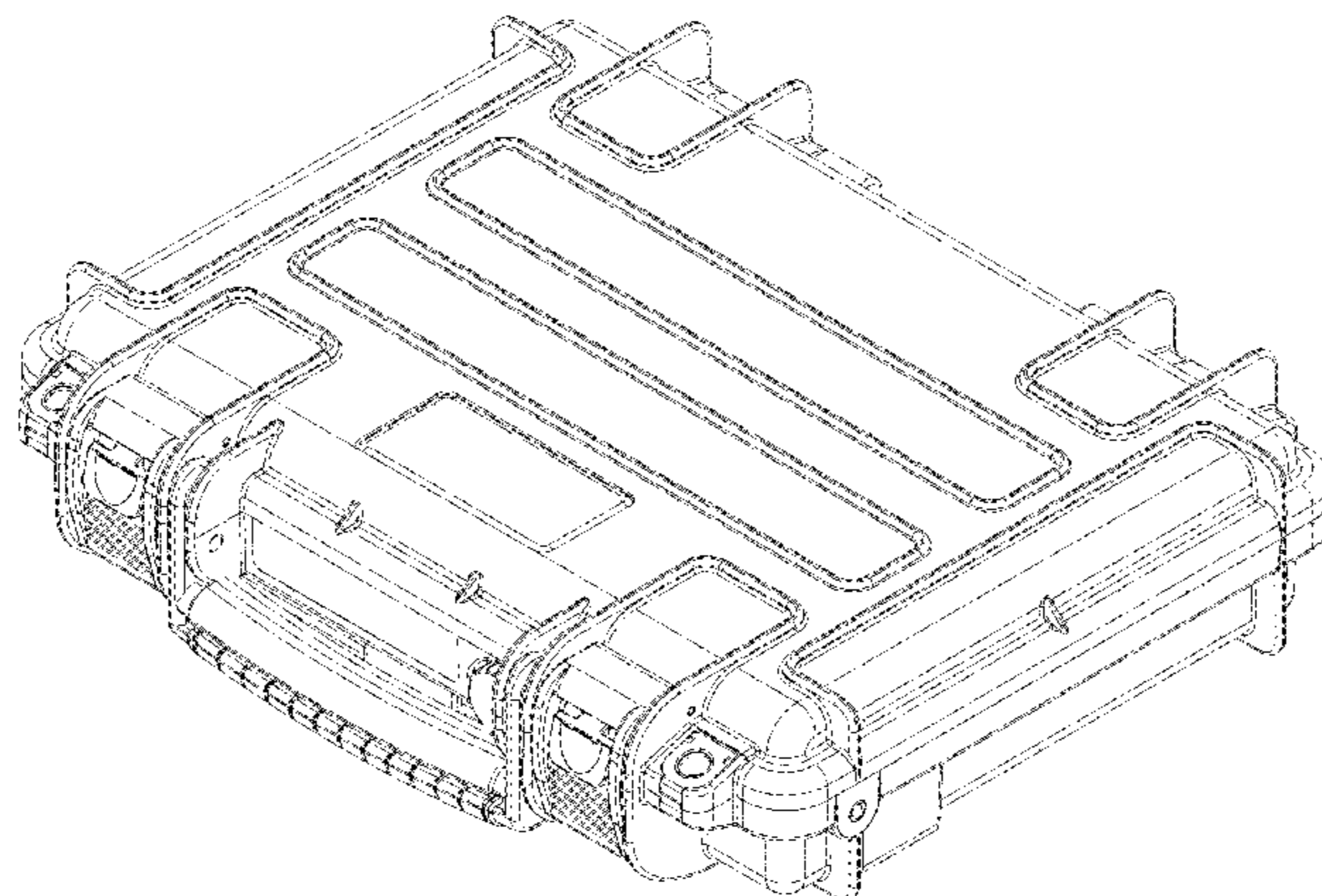
(57) **CLAIM**

I claim, the ornamental design for a trunk, as shown and described.

**DESCRIPTION**

FIG. 1 is a front perspective view, taken from above, of a trunk showing my new design;  
FIG. 2 is a front view thereof;  
FIG. 3 is a rear view thereof;  
FIG. 4 is a left side view thereof;  
FIG. 5 is a right side view thereof;  
FIG. 6 is a top view thereof;  
FIG. 7 is a bottom view thereof;  
FIG. 8 is a rear perspective view thereof, taken from below;  
FIG. 9 is a front perspective view, taken from above, of the trunk in another embodiment;  
FIG. 10 is a front view thereof;  
FIG. 11 is a rear view thereof;  
FIG. 12 is a left side view thereof;  
FIG. 13 is a right side view thereof;  
FIG. 14 is a top view thereof;  
FIG. 15 is a bottom view thereof; and,  
FIG. 16 is a rear perspective view thereof, taken from below.

**1 Claim, 16 Drawing Sheets**



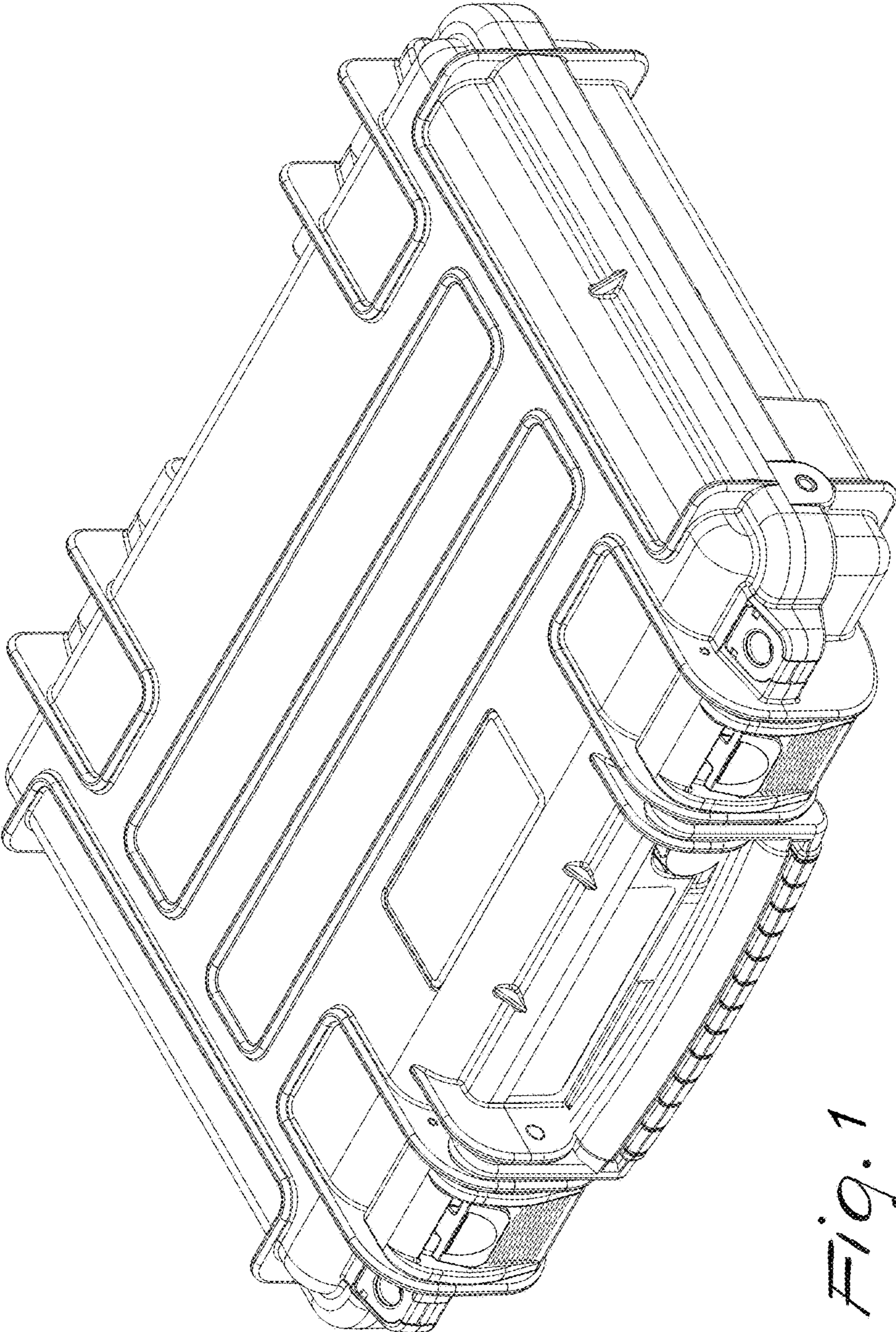
(56)

**References Cited**

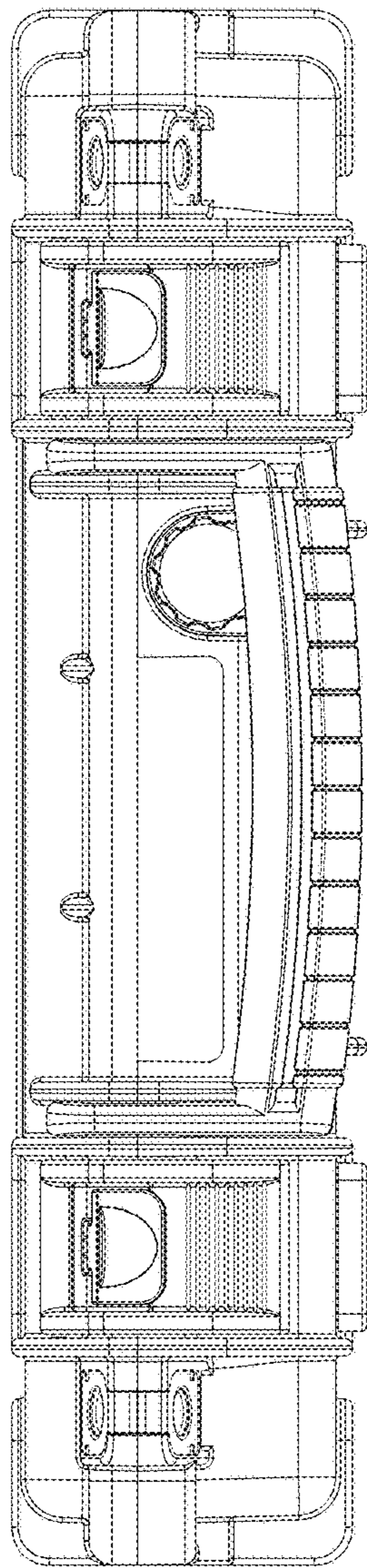
U.S. PATENT DOCUMENTS

|                   |        |               |                       |
|-------------------|--------|---------------|-----------------------|
| D790,221 S *      | 6/2017 | Yahav .....   | D3/294                |
| D798,053 S *      | 9/2017 | Shitrit ..... | D3/276                |
| D811,742 S *      | 3/2018 | Ballou .....  | D3/276                |
| D811,744 S *      | 3/2018 | Ballou .....  | D3/279                |
| D819,331 S *      | 6/2018 | Ballou .....  | D3/276                |
| 2006/0011624 A1 * | 1/2006 | Shih .....    | B25H 3/02<br>220/4.24 |
| 2015/0165617 A1 * | 6/2015 | Chern .....   | B25H 3/02<br>206/374  |

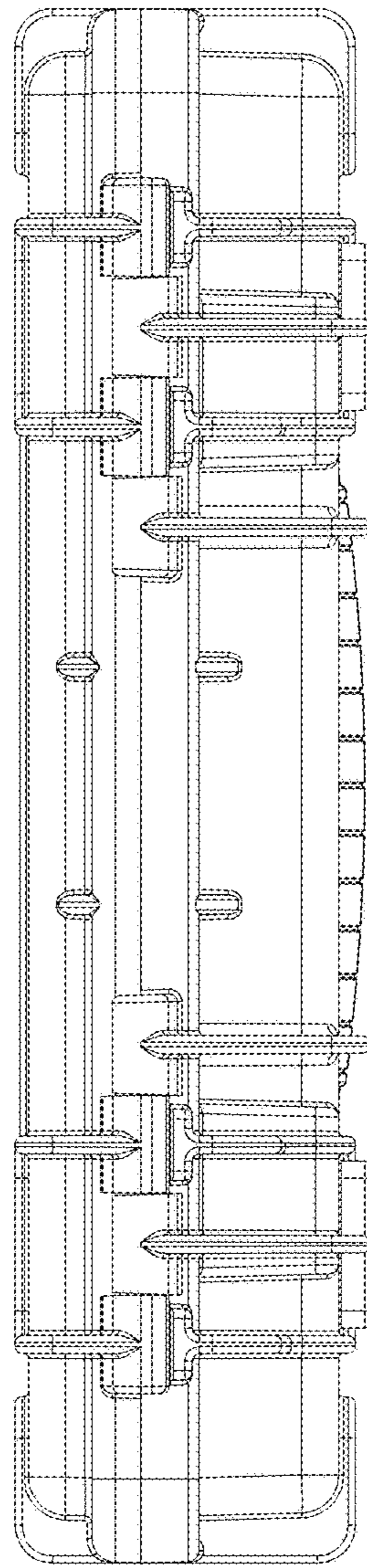
\* cited by examiner



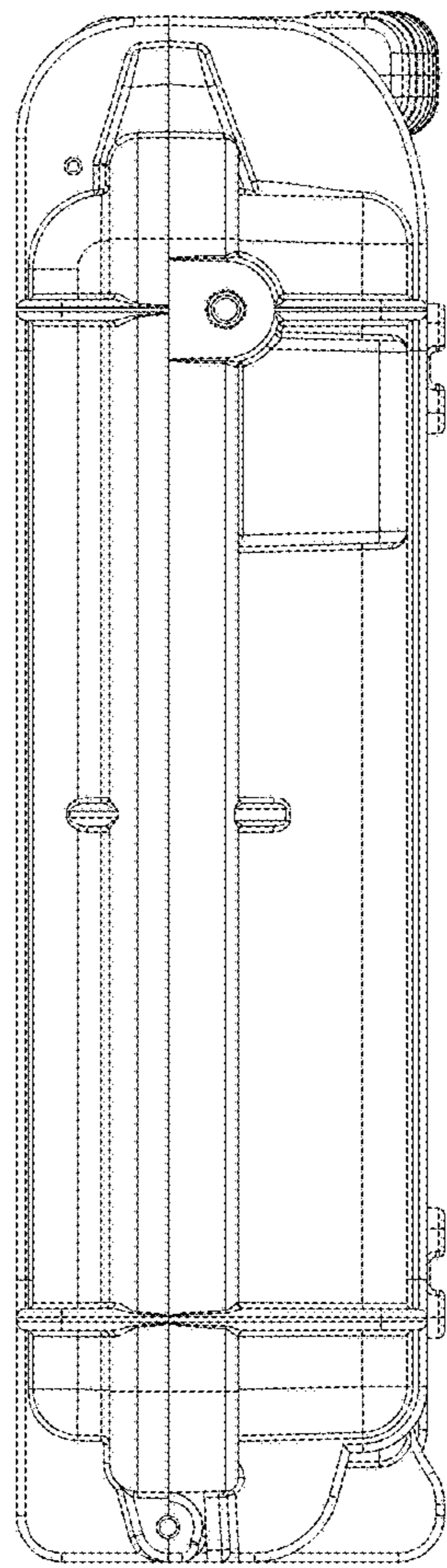
*Fig. 1*



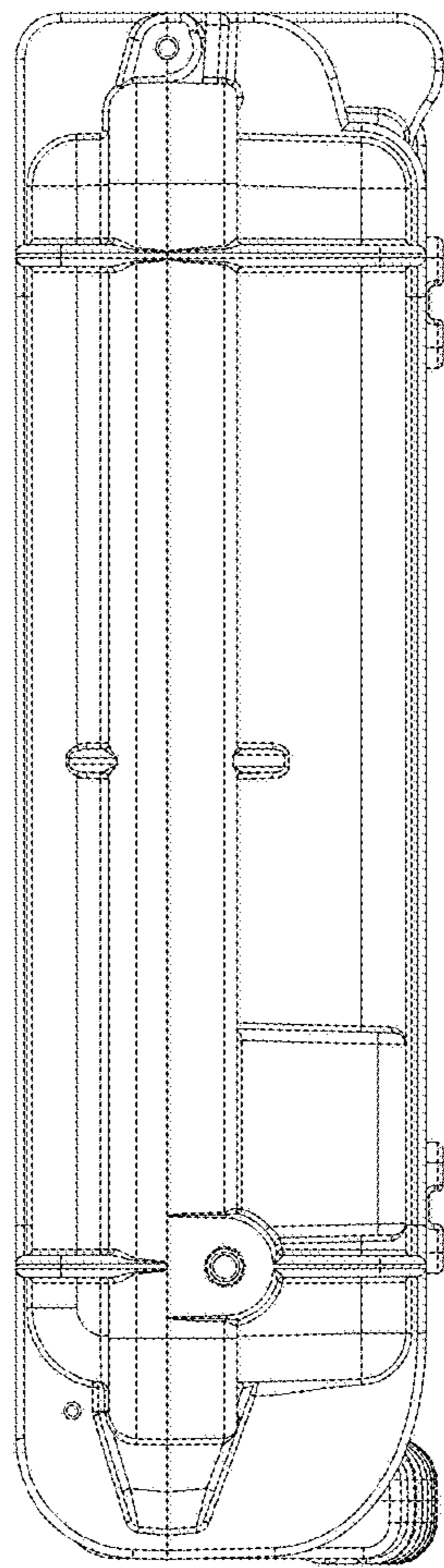
*Fig. 2*



*Fig. 3*



*Fig. 4*



*Fig. 5*

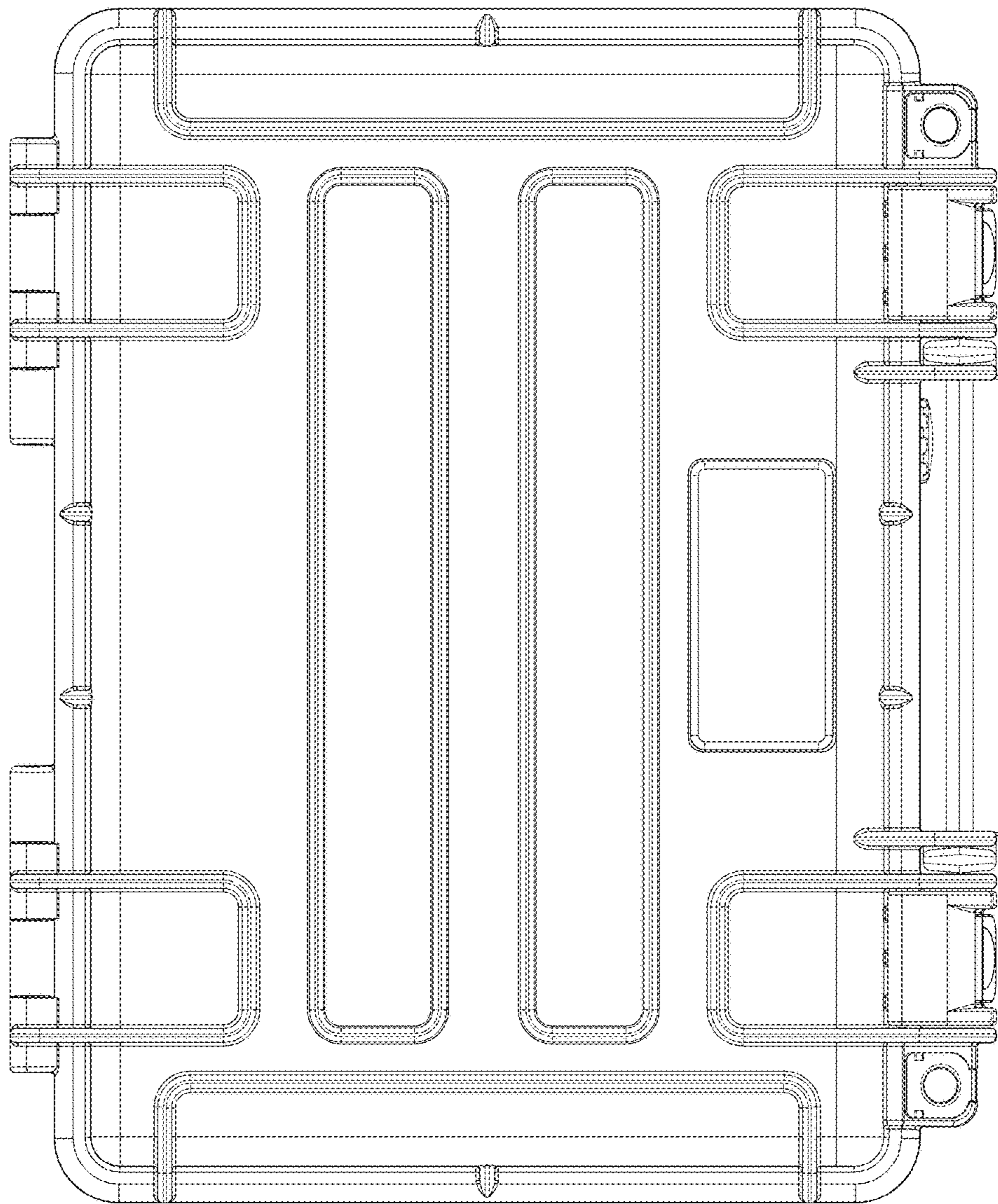
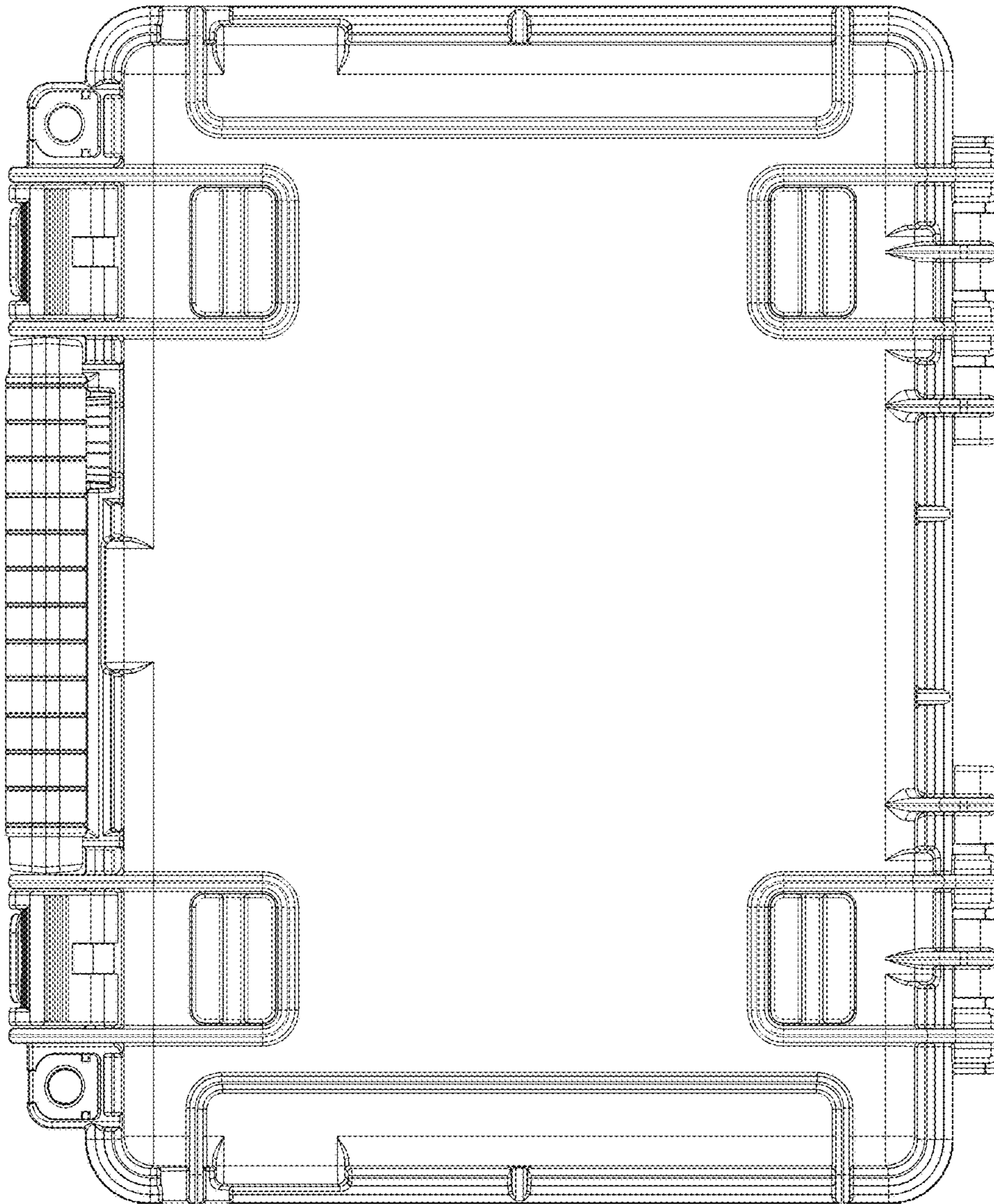
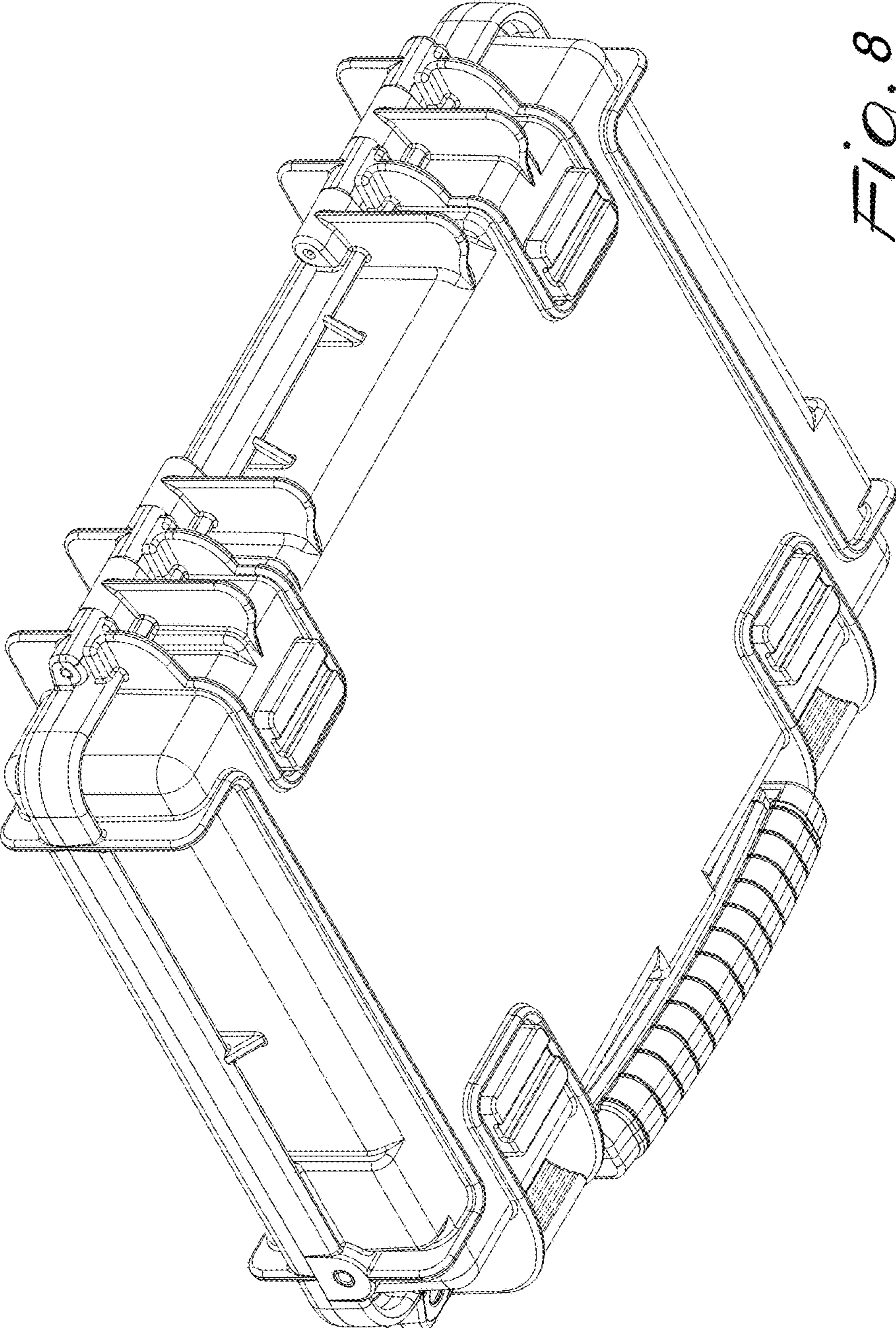


Fig. 6

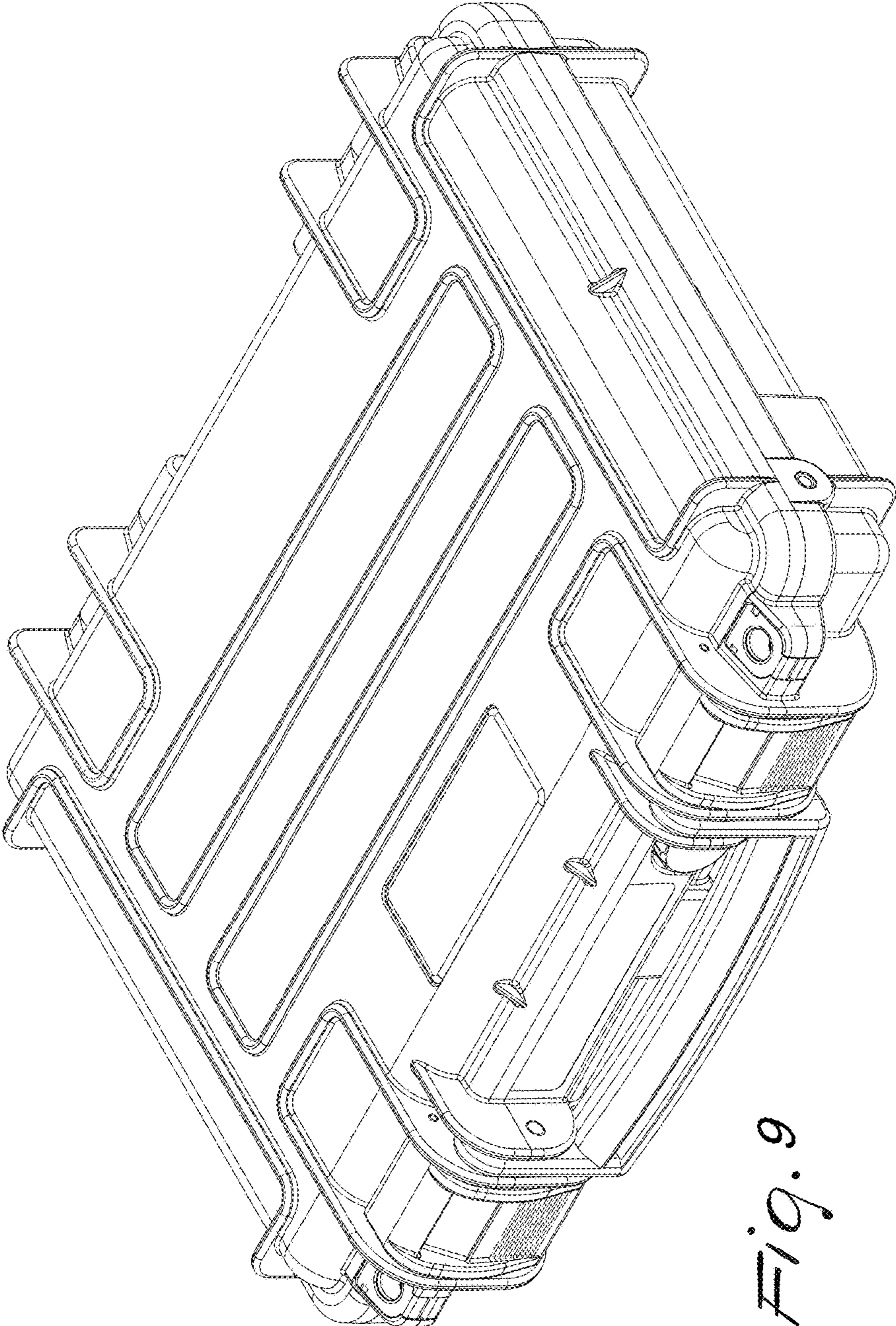




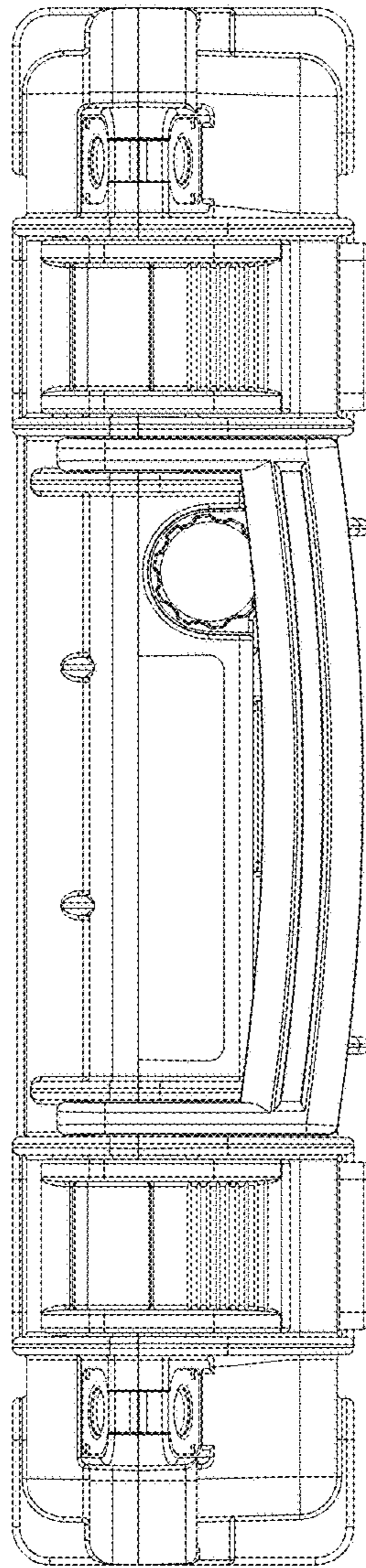
*Fig. 7*



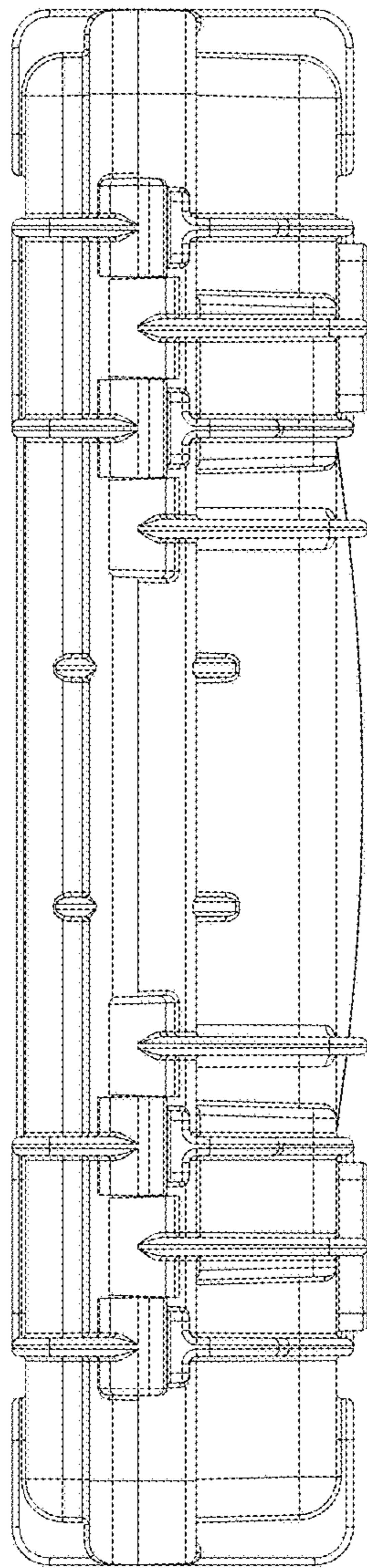
*Fig. 8*



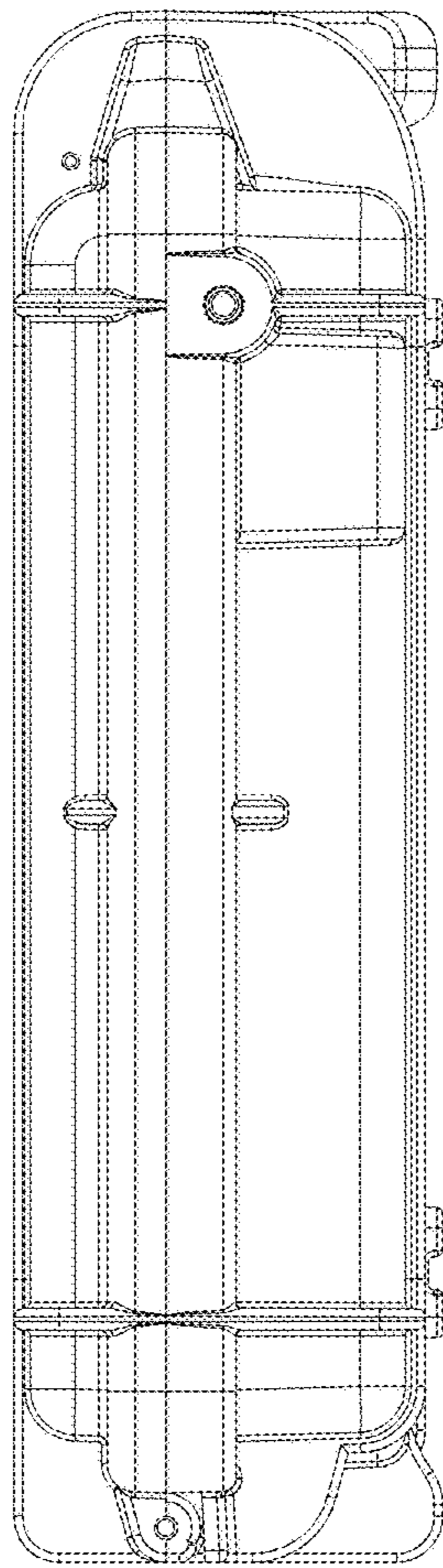
*Fig. 9*



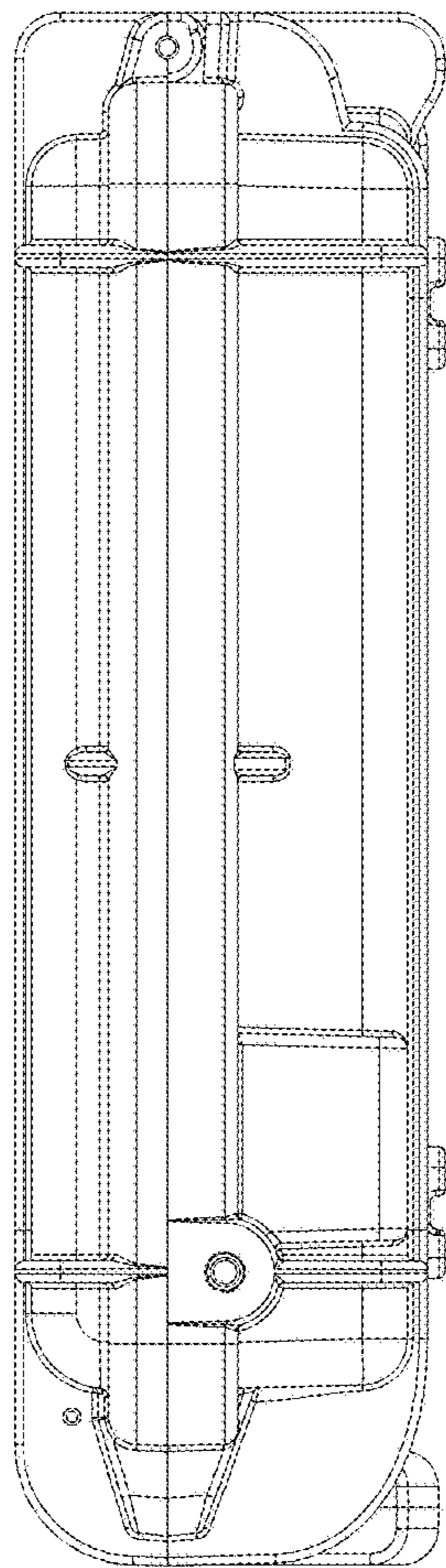
*Fig. 10*



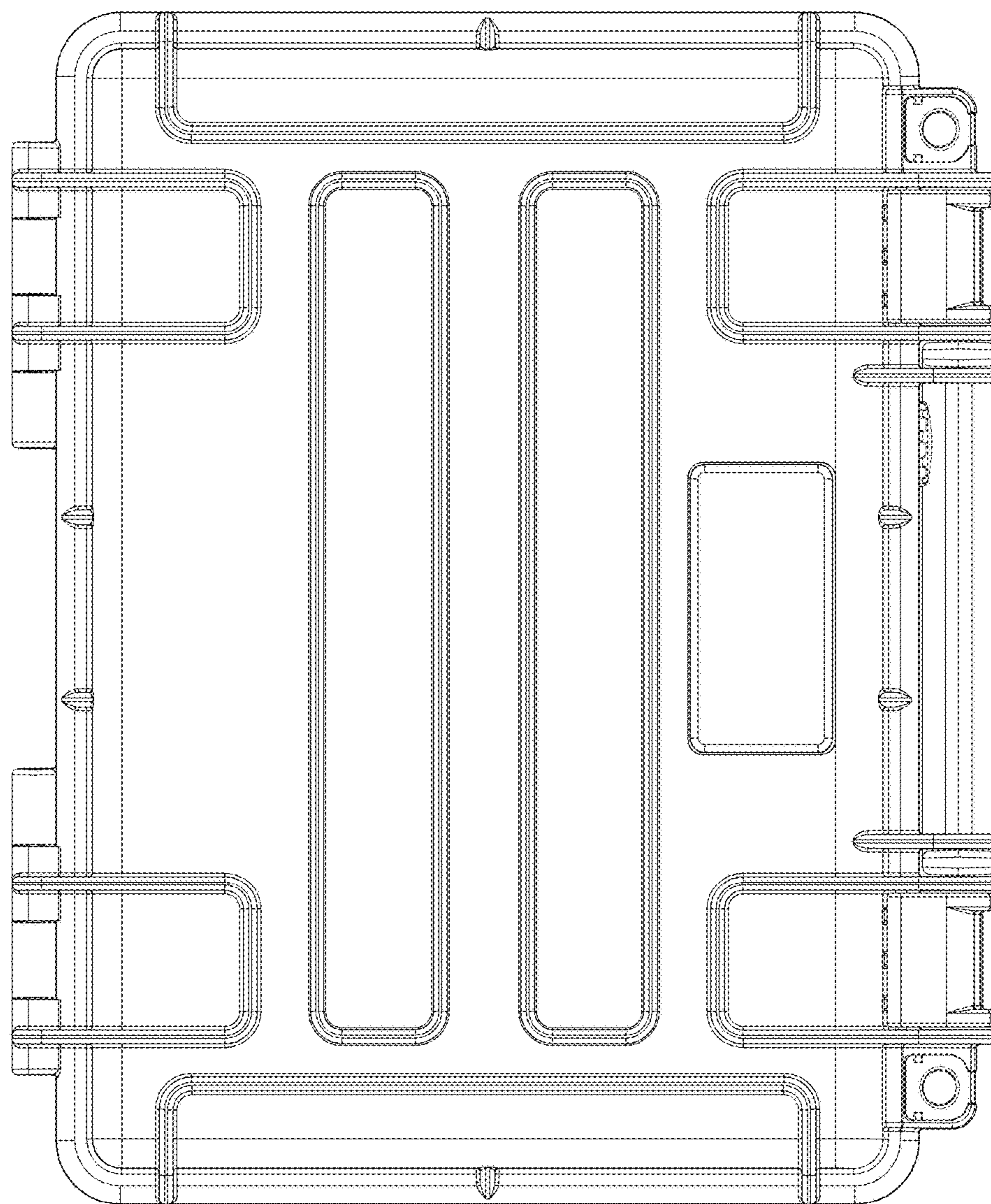
*Fig. 11*



*Fig. 12*

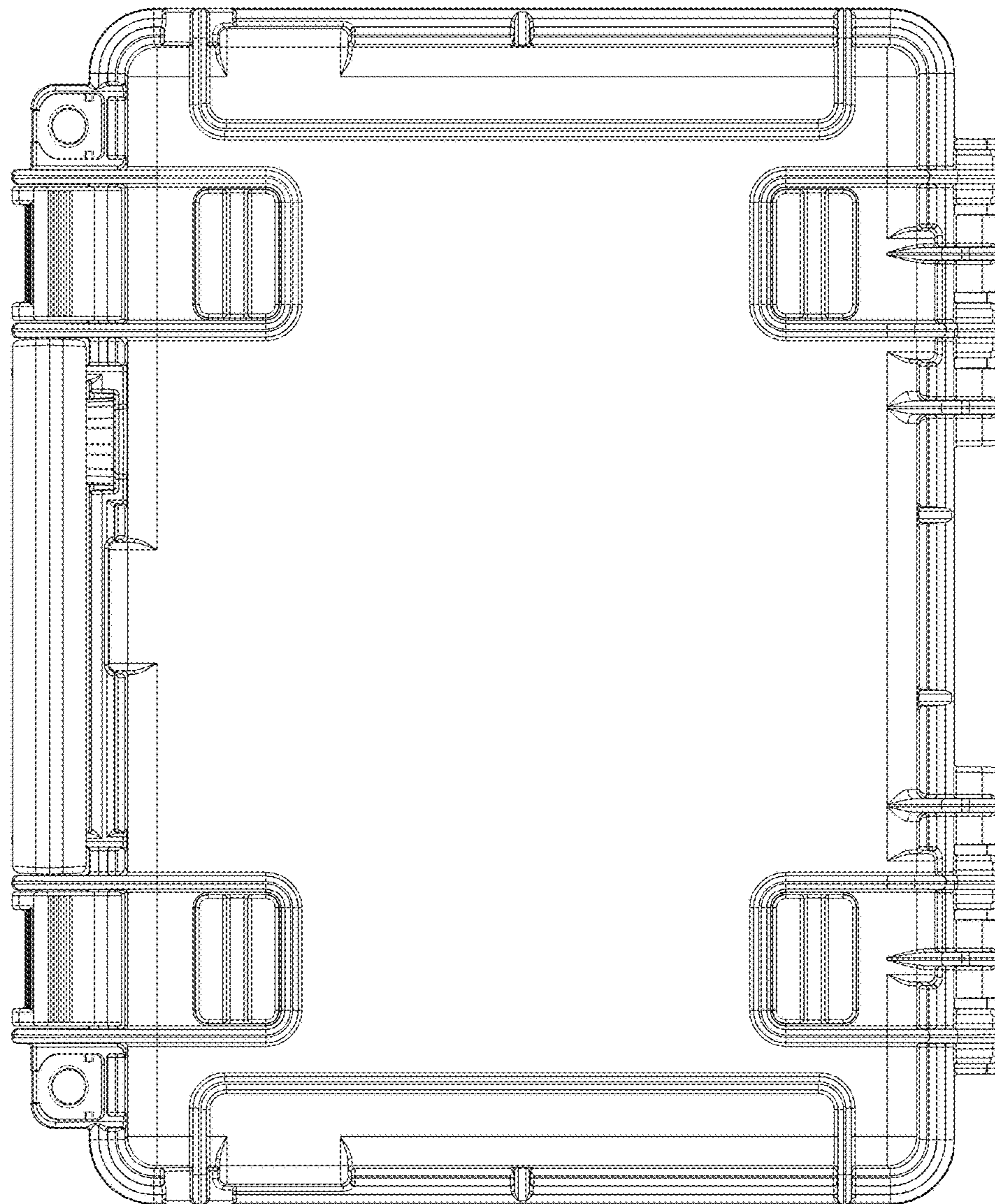


*Fig. 13*

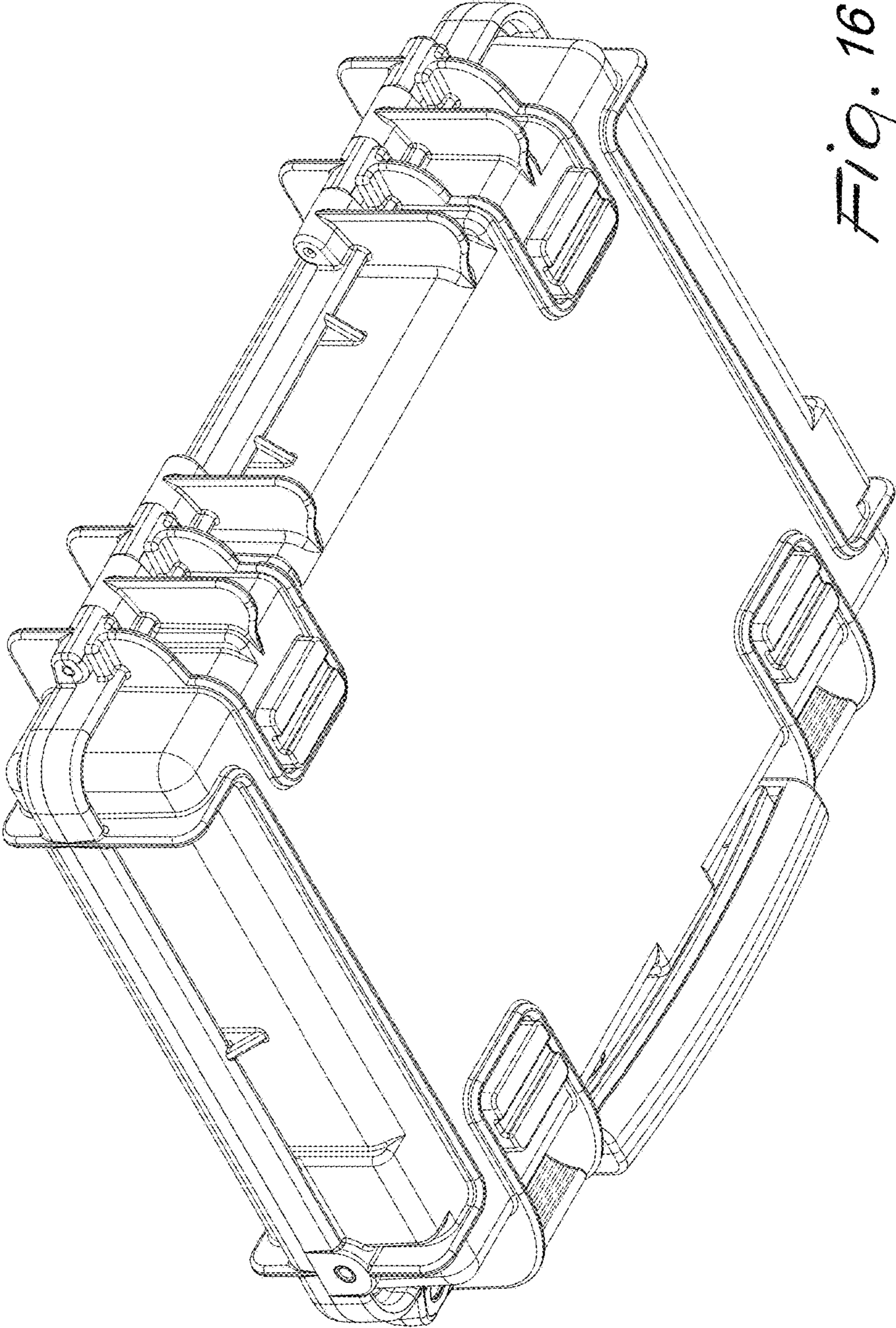


*Fig. 14*





*Fig. 15*



*Fig. 16*