



US00D849400S

(12) **United States Design Patent** (10) **Patent No.:** **US D849,400 S**
Wang (45) **Date of Patent:** **** May 28, 2019**

(54) **PASSPORT WALLET**

Primary Examiner — Holly H Baynham

(71) Applicant: **Yan Wang**, Guangdong (CN)

(72) Inventor: **Yan Wang**, Guangdong (CN)

(**) Term: **15 Years**

(21) Appl. No.: **29/634,968**

(22) Filed: **Jan. 26, 2018**

(51) **LOC (11) Cl.** **03-01**

(52) **U.S. Cl.**
USPC **D3/249**

(58) **Field of Classification Search**

USPC D3/247, 249–253

CPC A45C 1/06; A45C 3/08

See application file for complete search history.

(56) **References Cited**

U.S. PATENT DOCUMENTS

D703,949 S *	5/2014	Chappell	D3/249
D742,115 S *	11/2015	Besner	D3/249
D793,082 S *	8/2017	Zhang	D3/249
D814,185 S *	4/2018	Liu	D3/249
D829,202 S *	9/2018	Ma	D14/250

* cited by examiner

(57) **CLAIM**

I claim the ornamental design for a passport wallet, as shown and described.

DESCRIPTION

FIG. 1 is a perspective view of a passport wallet showing my new design;

FIG. 2 is a front elevational view thereof;

FIG. 3 is a rear elevational view thereof;

FIG. 4 is a left side elevational view thereof;

FIG. 5 is a right side elevational view thereof;

FIG. 6 is a top plan view thereof;

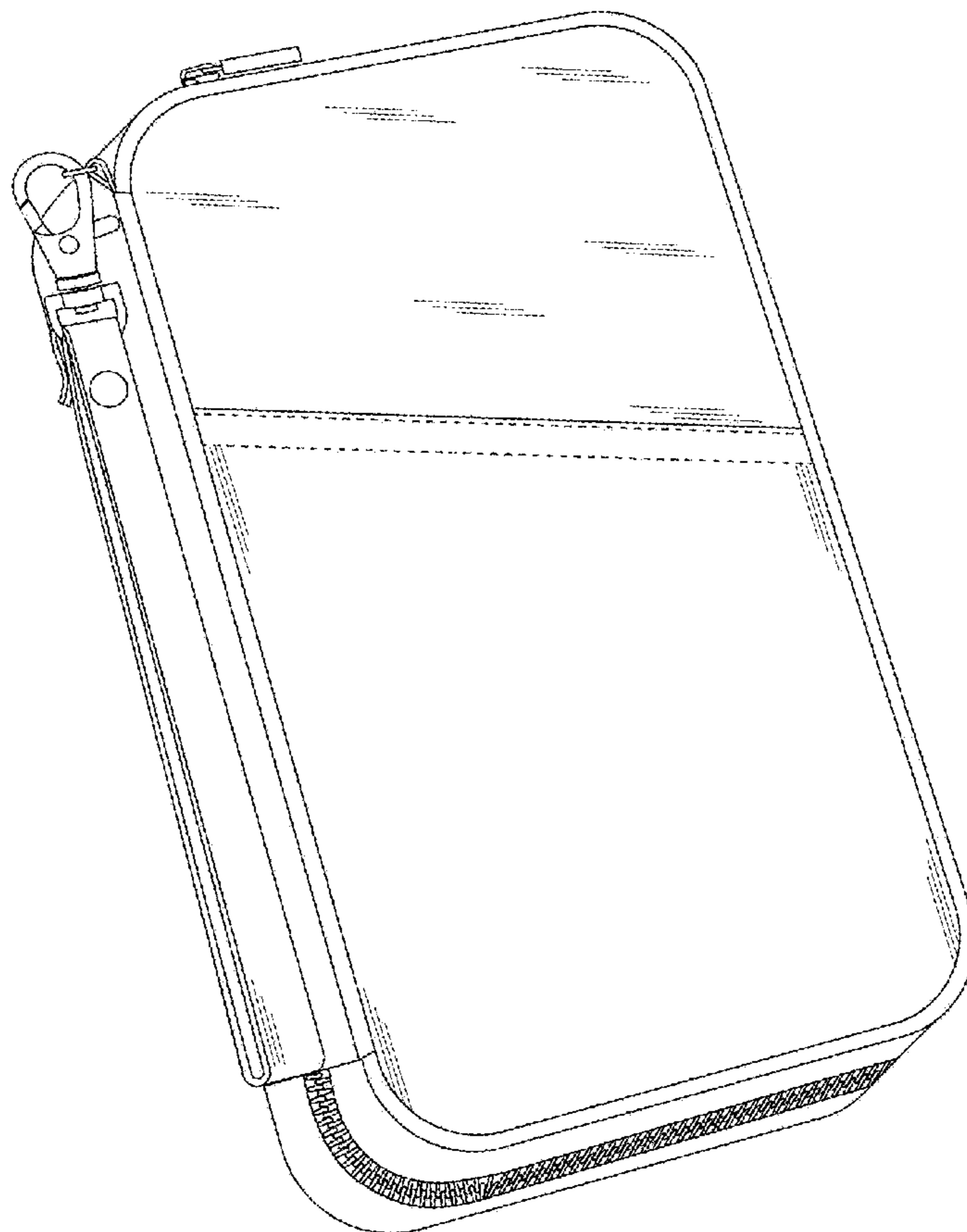
FIG. 7 is a bottom plan view thereof;

FIG. 8 is a perspective view thereof, illustrated in an unfolded position; and,

FIG. 9 is a perspective view thereof, illustrated in an unfolded position.

The broken lines representing stitching are part of the claimed design.

1 Claim, 9 Drawing Sheets



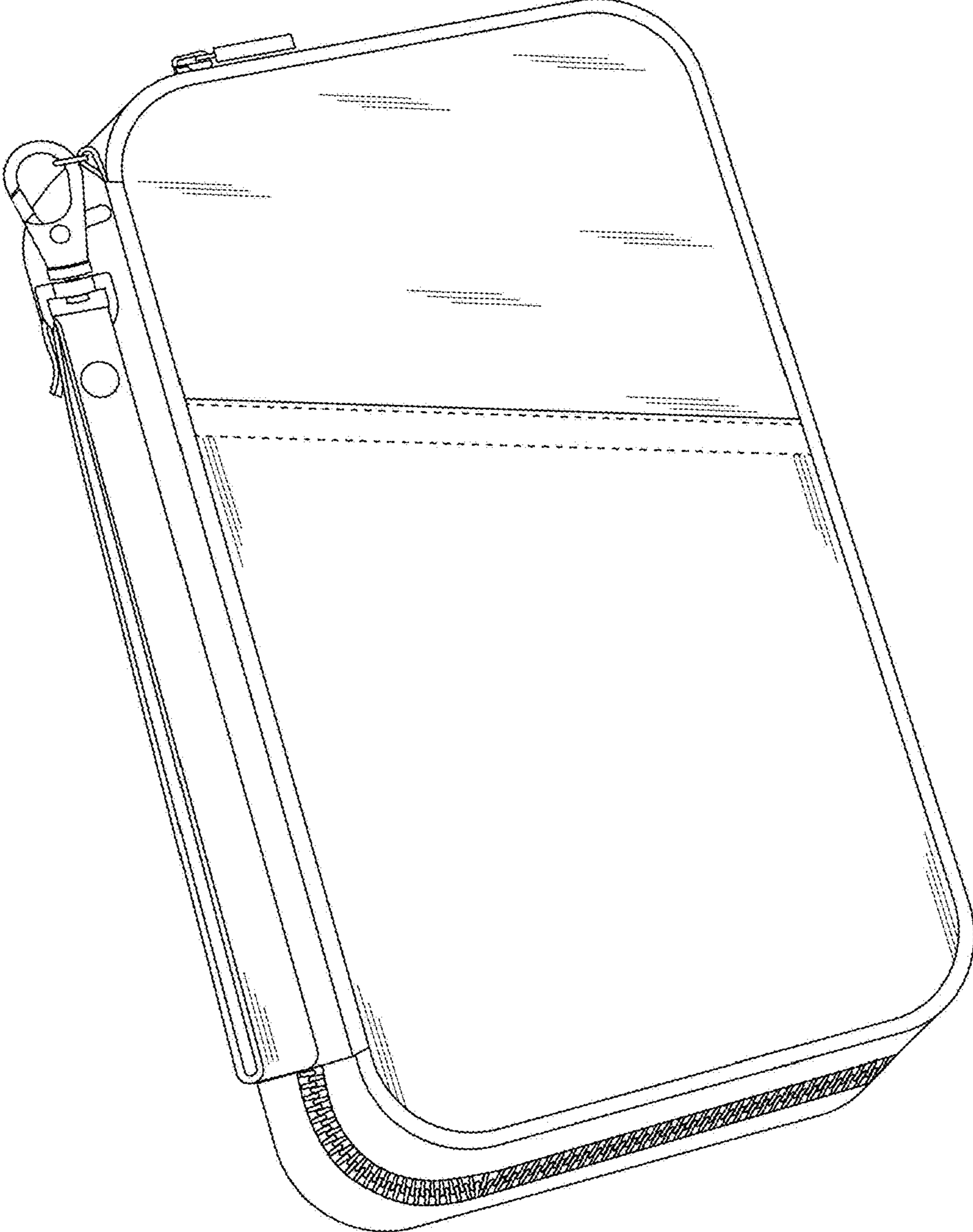


FIG.1

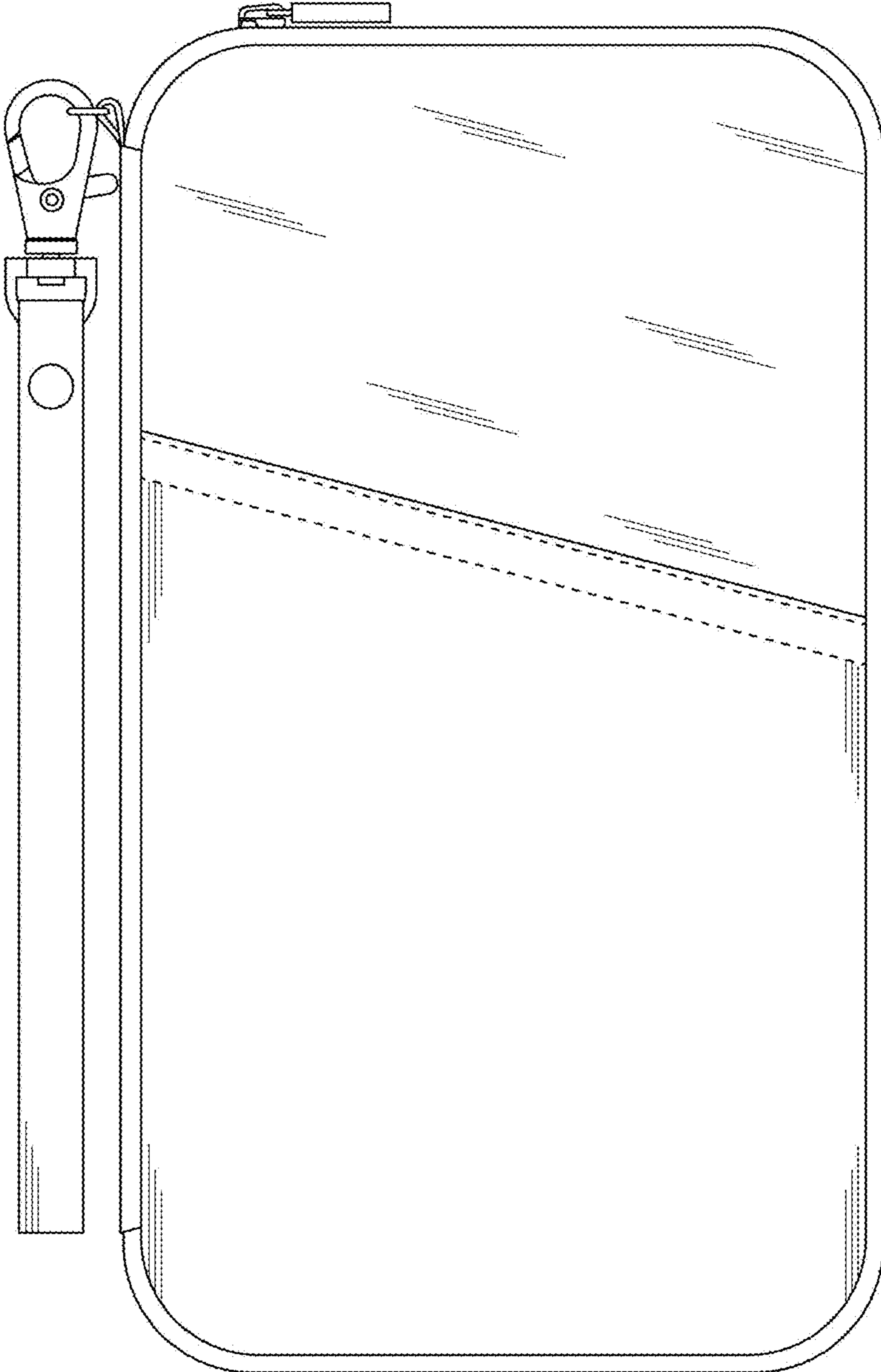


FIG.2

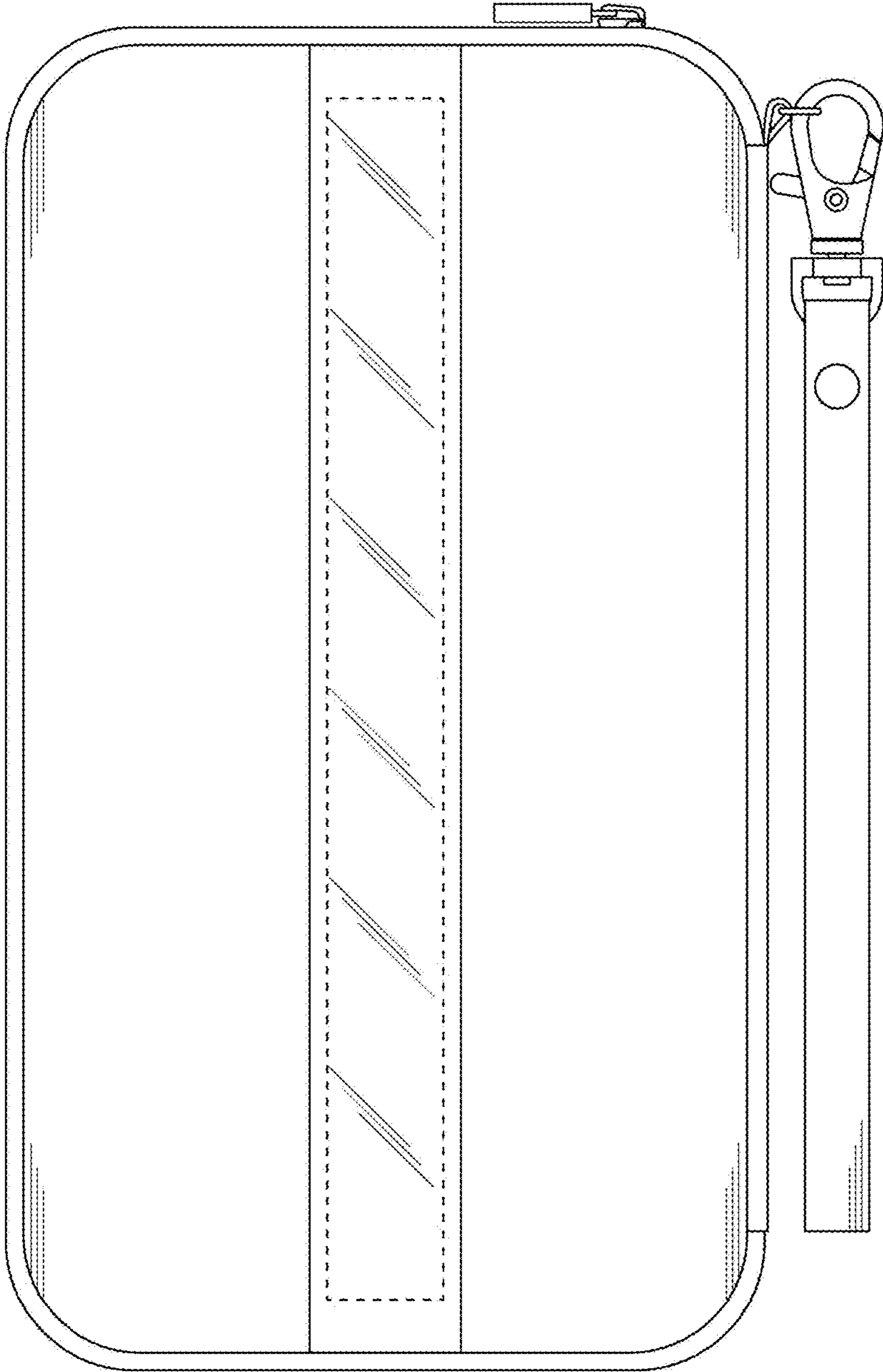


FIG.3

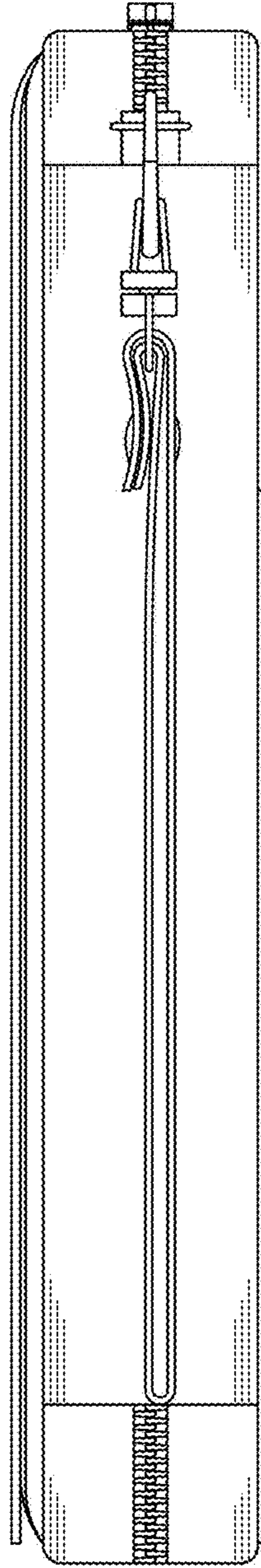


FIG.4

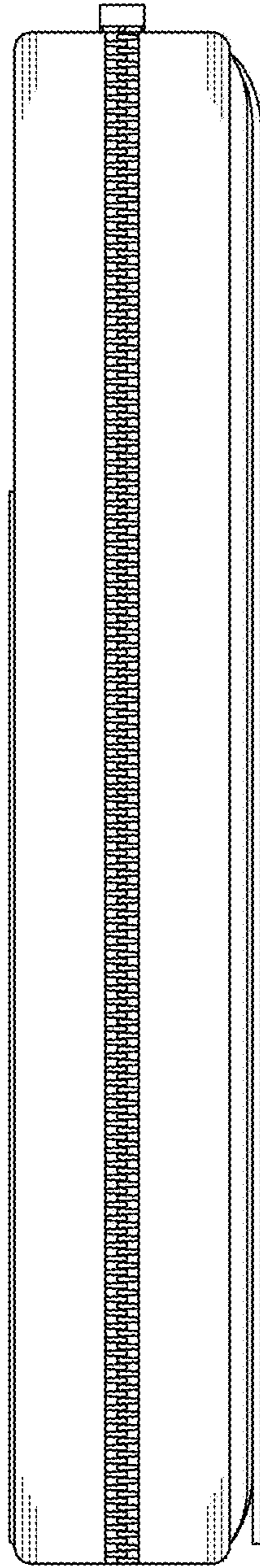


FIG.5

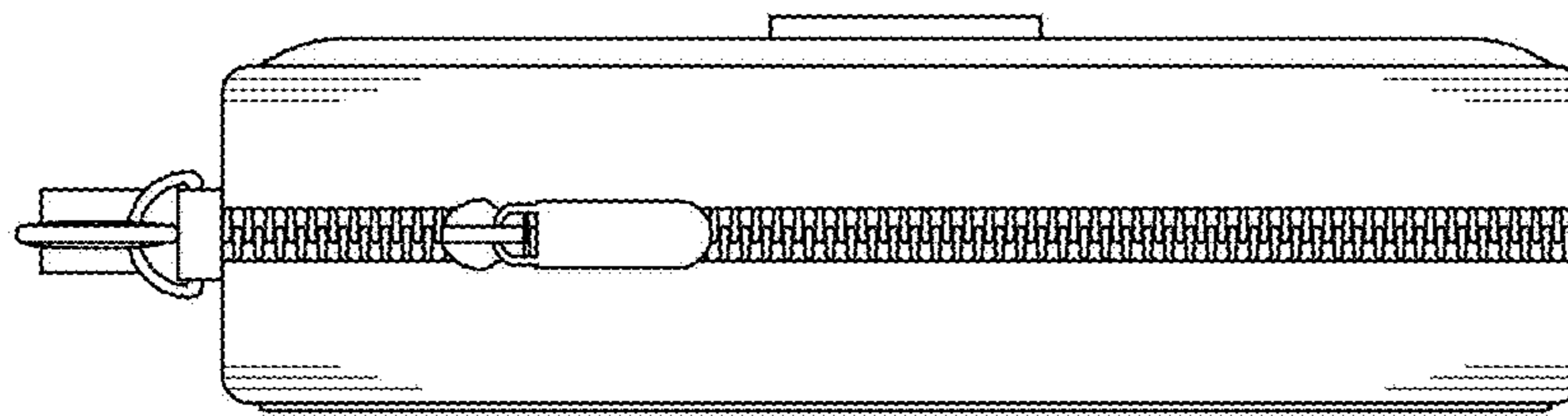


FIG.6

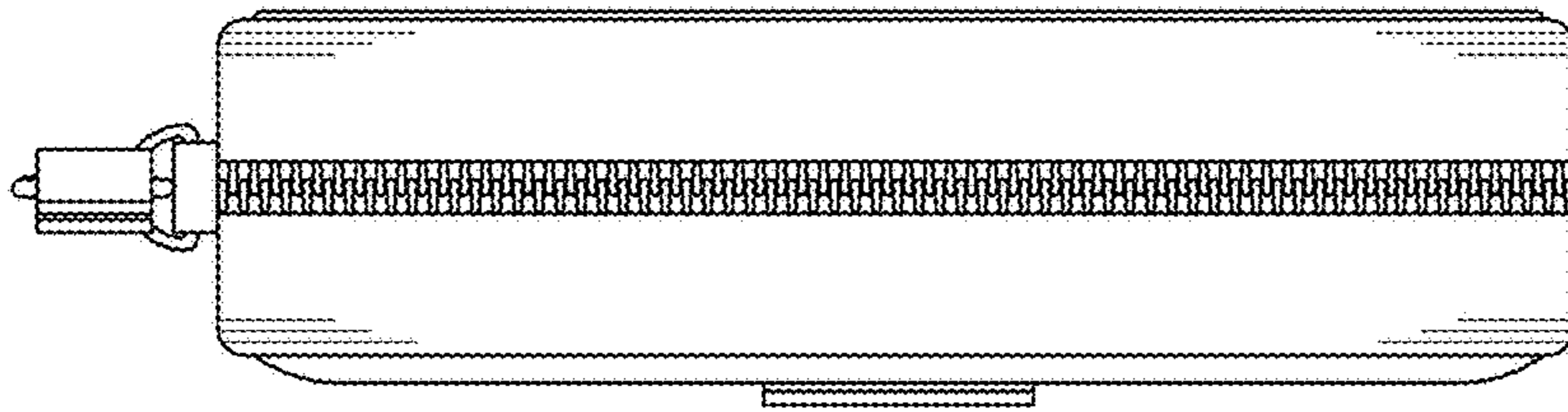


FIG.7

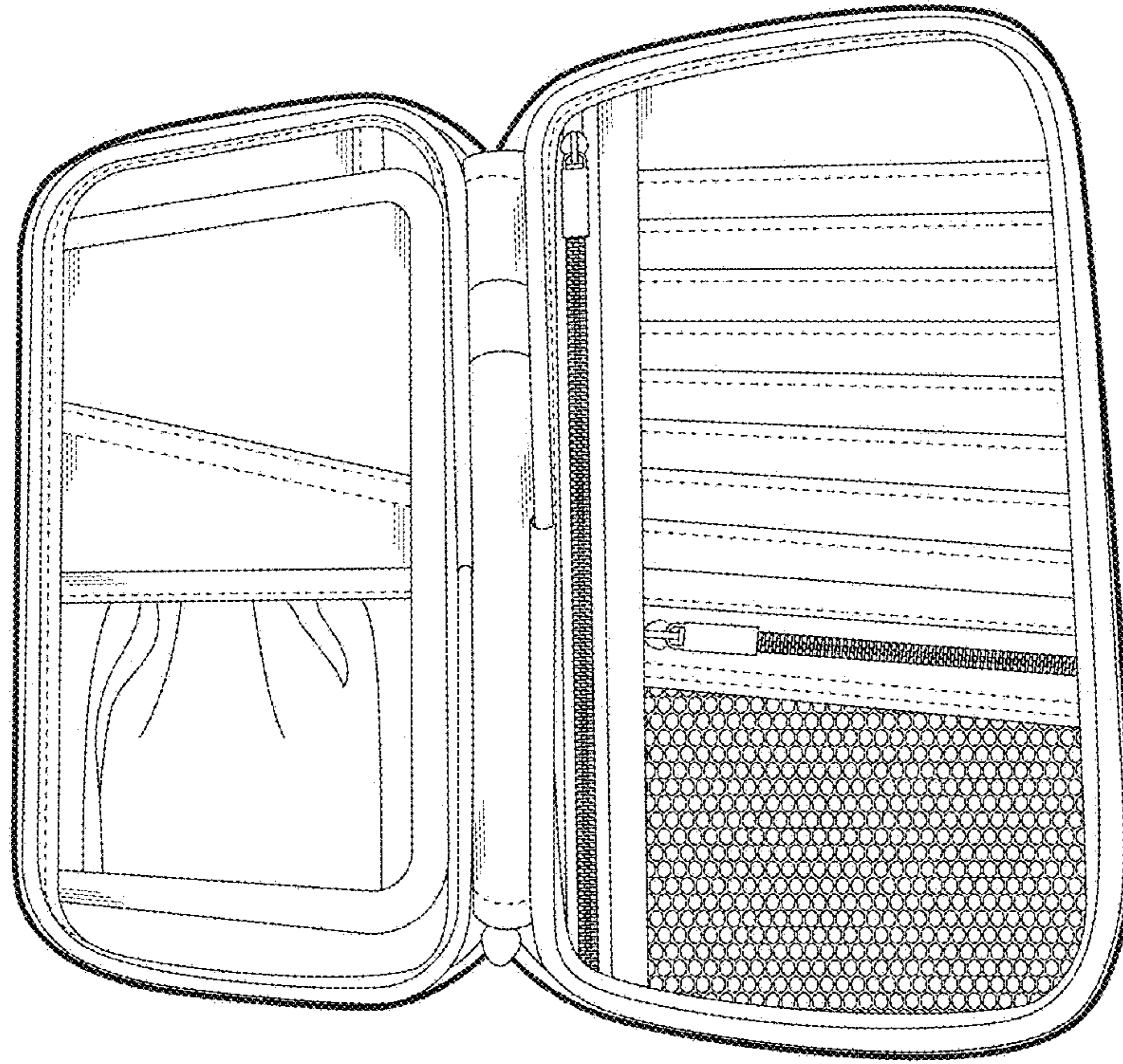


FIG.8

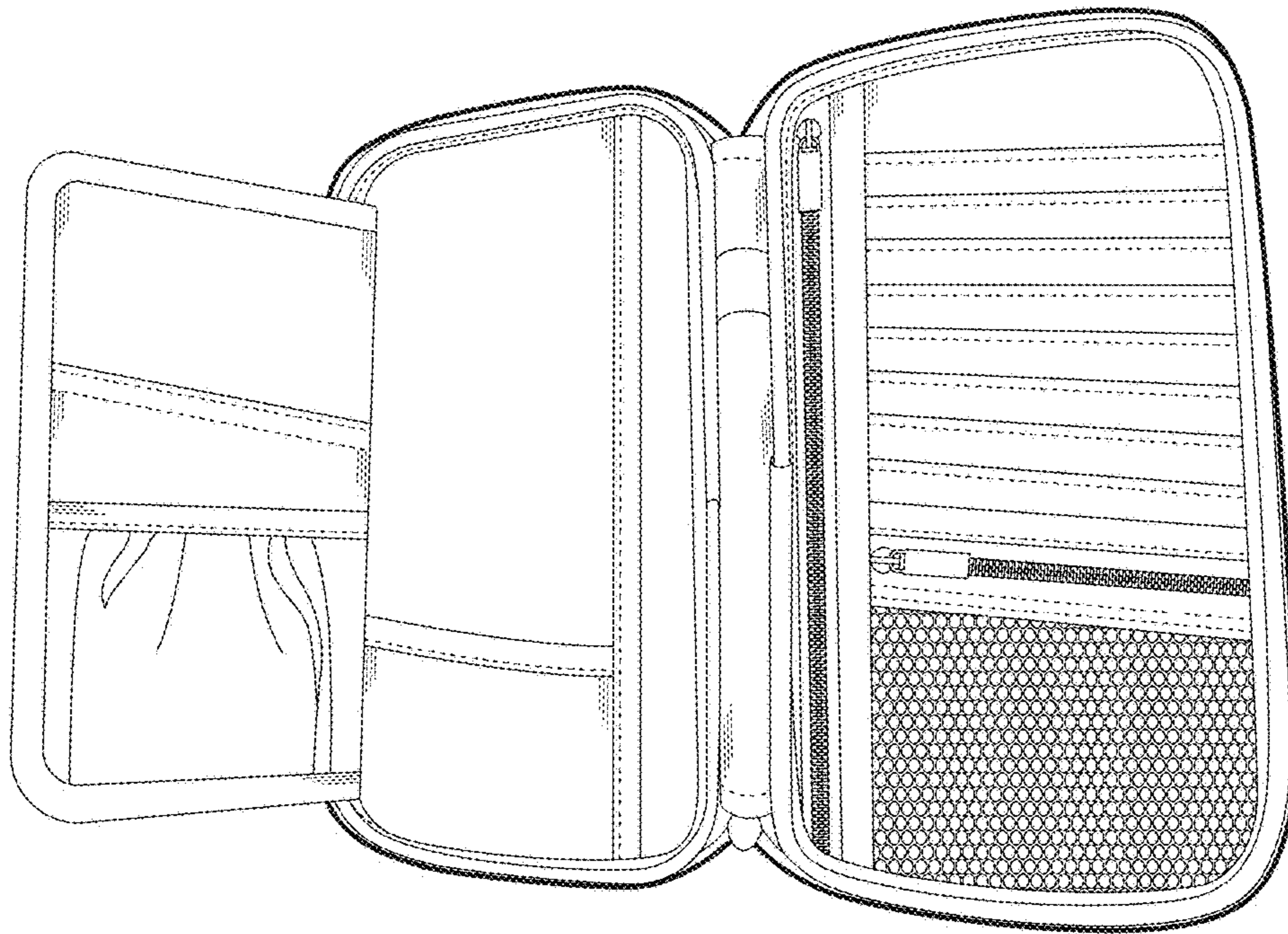


FIG.9