



US00D849395S

(12) **United States Design Patent** (10) **Patent No.:** **US D849,395 S**
Weng et al. (45) **Date of Patent:** **** May 28, 2019**

- (54) **SMART PILL CONTAINER**
- (71) Applicant: **Tricella Inc.**, Mountain View, CA (US)
- (72) Inventors: **Daniel M. Weng**, Mountain View, CA (US); **Chia-Hsuan Tsai**, San Francisco, CA (US)
- (73) Assignee: **Tricella Inc.**, Mountain View, CA (US)
- (**) Term: **15 Years**
- (21) Appl. No.: **29/630,009**
- (22) Filed: **Dec. 18, 2017**

Related U.S. Application Data

- (63) Continuation of application No. 29/533,080, filed on Jul. 14, 2015, now Pat. No. Des. 808,638.
- (51) **LOC (11) Cl.** **03-01**
- (52) **U.S. Cl.**
USPC **D3/203.3**
- (58) **Field of Classification Search**
USPC D3/201, 203.1–203.8, 205, 206; D9/420, D9/421, 757, 759
CPC .. B65D 75/327; B65D 83/0481; B65D 83/04; B65D 83/0445; B65D 2583/04; B65D 1/36; A61J 7/04; A61J 1/03
See application file for complete search history.

(56) **References Cited**

U.S. PATENT DOCUMENTS

D227,552 S *	7/1973	Bridges et al.	D3/203.3
D298,803 S *	12/1988	Ebling	D3/203.3
D304,905 S *	12/1989	Zimmerman	D3/203.3
D337,725 S *	7/1993	Bunin	D3/203.3

(Continued)

OTHER PUBLICATIONS

United States Office Action, U.S. Appl. No. 29/533,080, dated Apr. 28, 2017, 9 pages.

Primary Examiner — John Windmuller
Assistant Examiner — Steven J Czyz
(74) *Attorney, Agent, or Firm* — Fenwick & West LLP

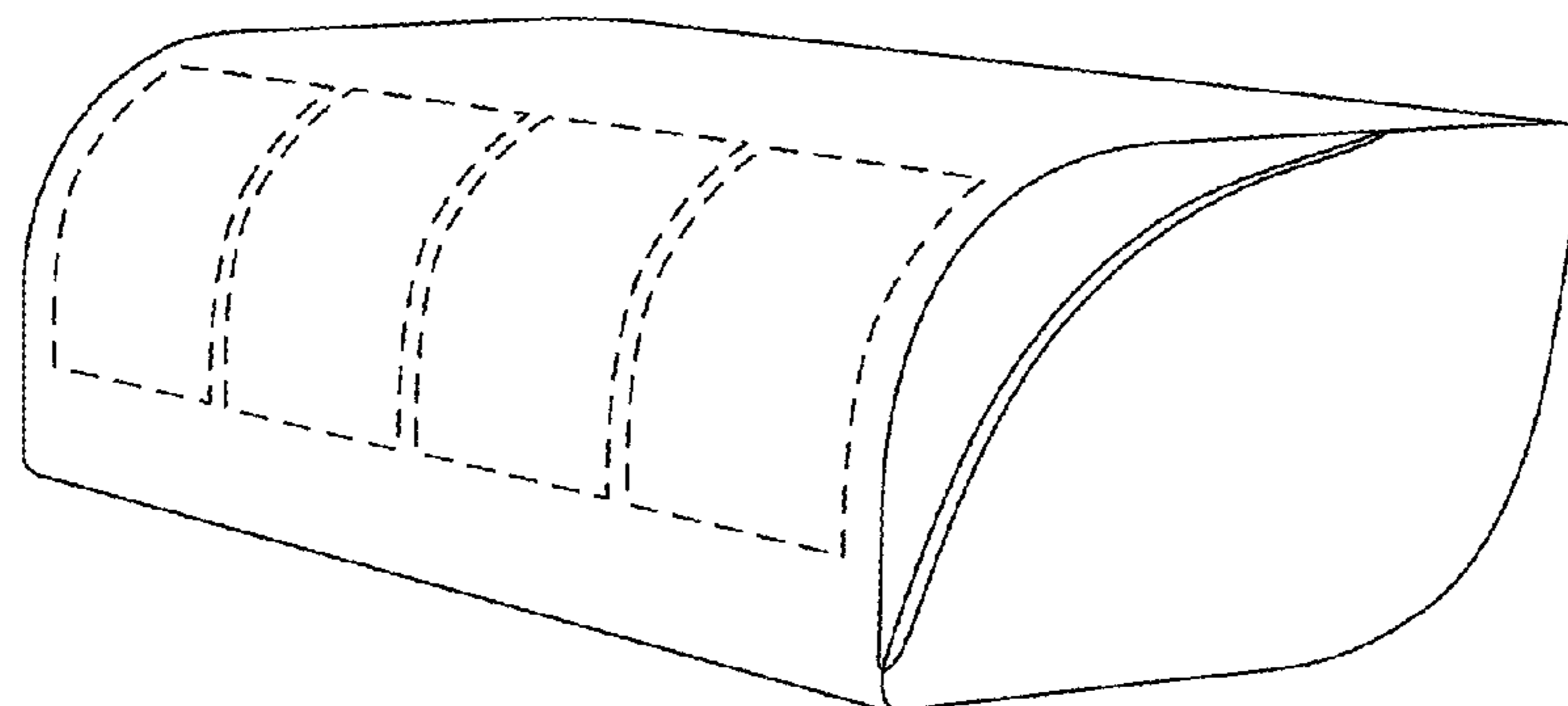
(57) **CLAIM**

The ornamental design for a smart pill container, as shown and described.

DESCRIPTION

FIG. 1 is a top view of the first embodiment of the smart pill container.
 FIG. 2 is a bottom view of the first embodiment of the smart pill container.
 FIG. 3 is a front plane view of the first embodiment of the smart pill container.
 FIG. 4 is a back plane view of the first embodiment of the smart pill container.
 FIG. 5 is a right side view of the first embodiment of the smart pill container.
 FIG. 6 is a left side view of the first embodiment of the smart pill container.
 FIG. 7 is a perspective view of the first embodiment of the smart pill container.
 FIG. 8 is a top view of the second embodiment of the smart pill container.
 FIG. 9 is a bottom view of the second embodiment of the smart pill container.
 FIG. 10 is a front plane view of the second embodiment of the smart pill container.
 FIG. 11 is a back plane view of the second embodiment of the smart pill container.
 FIG. 12 is a right side view of the second embodiment of the smart pill container.
 FIG. 13 is a left side view of the second embodiment of the smart pill container; and,
 FIG. 14 is a perspective view of the second embodiment of the smart pill container.
 The broken lines depict portions of the article that form no part of the claimed design.

1 Claim, 8 Drawing Sheets



(56)

References Cited

U.S. PATENT DOCUMENTS

D418,288	S *	1/2000	Priebe	D3/201
D426,381	S	6/2000	Au et al.	
D430,392	S *	9/2000	Noble	D3/201
D466,801	S *	12/2002	Holland	D3/203.3
D528,782	S *	9/2006	Oas	D3/203.3
D544,202	S	6/2007	Markfelder	
D587,005	S *	2/2009	Gardner	D3/203.3
7,494,012	B1 *	2/2009	Priebe	A61J 1/03
				206/1.5
D684,355	S *	6/2013	Priebe	D3/203.3
D691,366	S *	10/2013	Muncy	D3/203.3
D695,512	S *	12/2013	Priebe	D3/203.3
D696,008	S *	12/2013	Priebe	D3/203.3
D696,010	S *	12/2013	Priebe	D3/203.3
D696,856	S *	1/2014	Priebe	D3/203.3
D698,141	S *	1/2014	Priebe	D3/203.3
D698,540	S *	2/2014	Priebe	D3/203.3
D709,282	S *	7/2014	Priebe	D3/203.3
D747,868	S *	1/2016	Steka	D3/201
D747,869	S *	1/2016	Priebe	D3/203.3
D761,009	S *	7/2016	Jewell	D3/203.3
D775,462	S *	1/2017	Noble	D3/203.3
D777,419	S *	1/2017	Noble	D3/203.3
D778,173	S *	2/2017	Pisarevsky	D3/203.3
D808,638	S *	1/2018	Weng	D3/203.3
2004/0089581	A1 *	5/2004	Dienst	B65D 43/22
				206/538
2010/0044270	A1 *	2/2010	Noble	A61J 7/04
				206/538
2010/0147735	A1 *	6/2010	Musgray	A61J 1/03
				206/538
2014/0251863	A1 *	9/2014	Priebe	A61J 1/03
				206/534

* cited by examiner

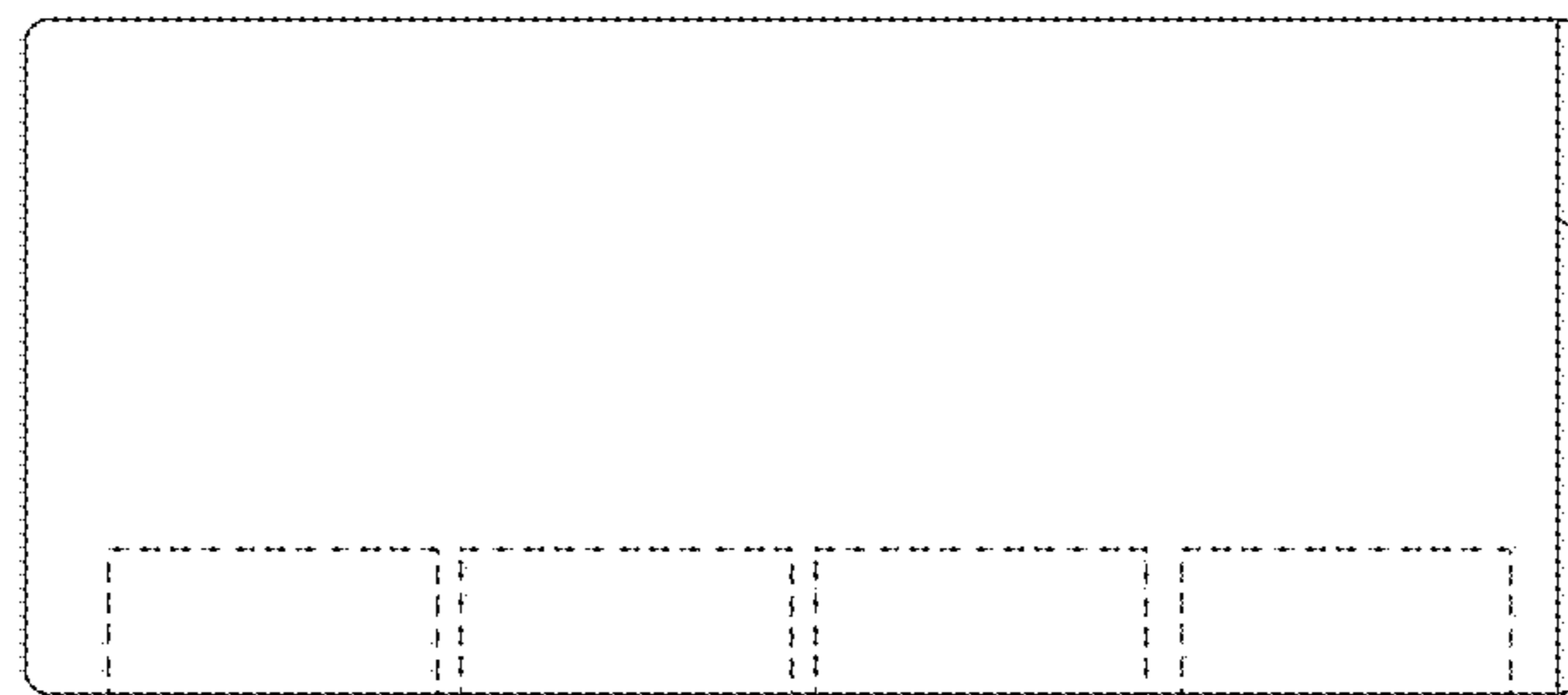


FIG. 1

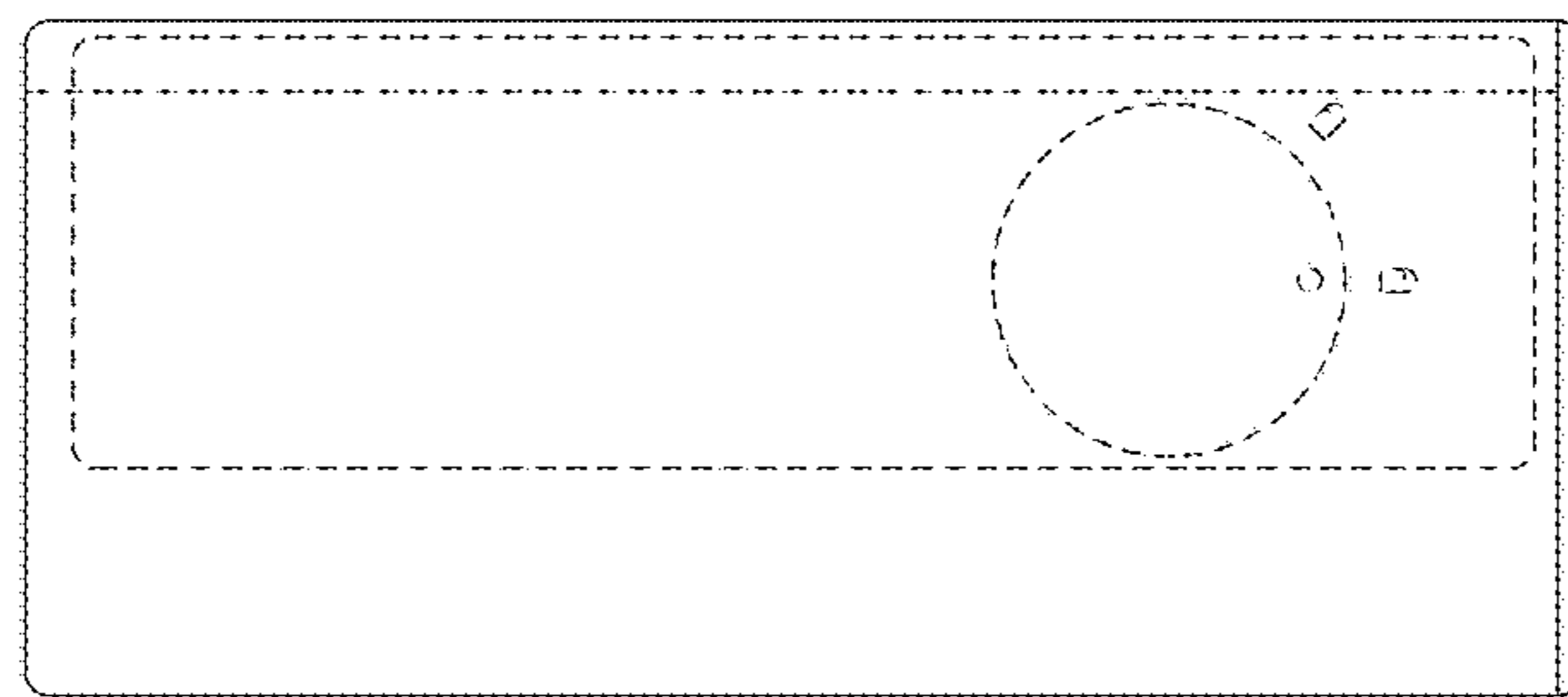


FIG. 2

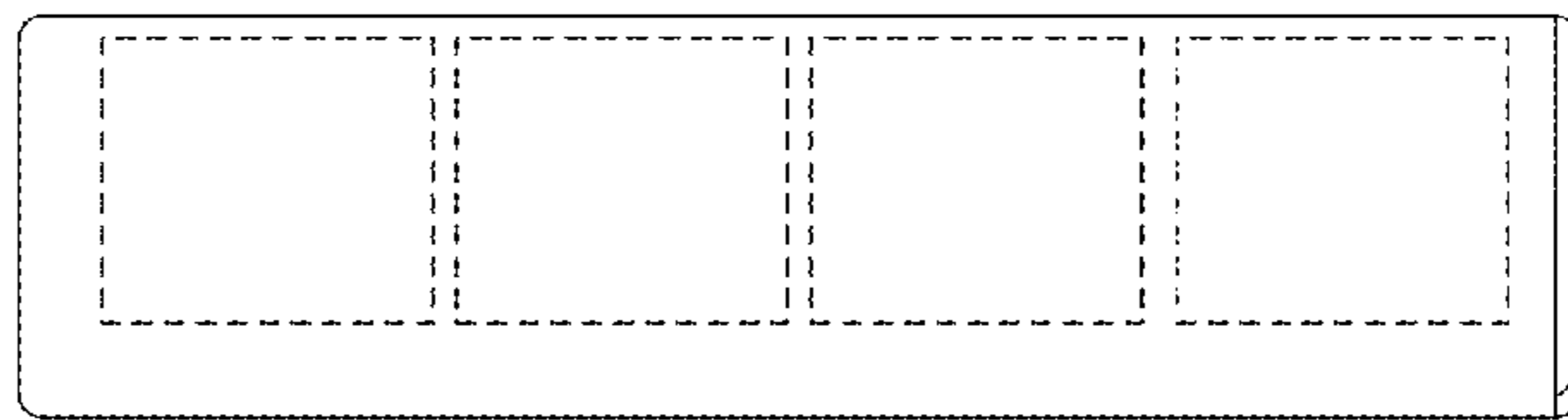


FIG. 3

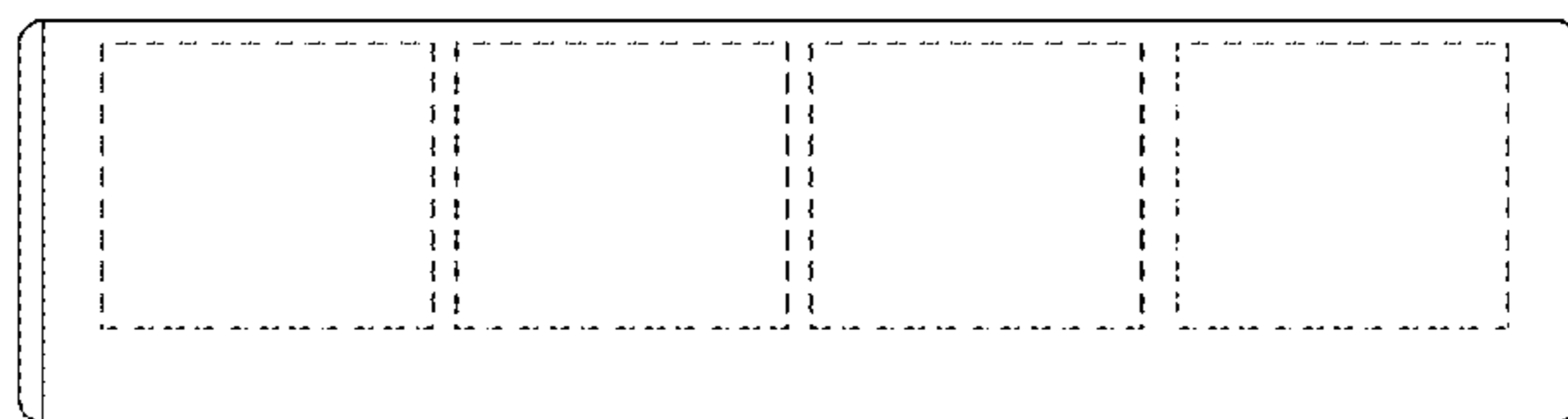


FIG. 4

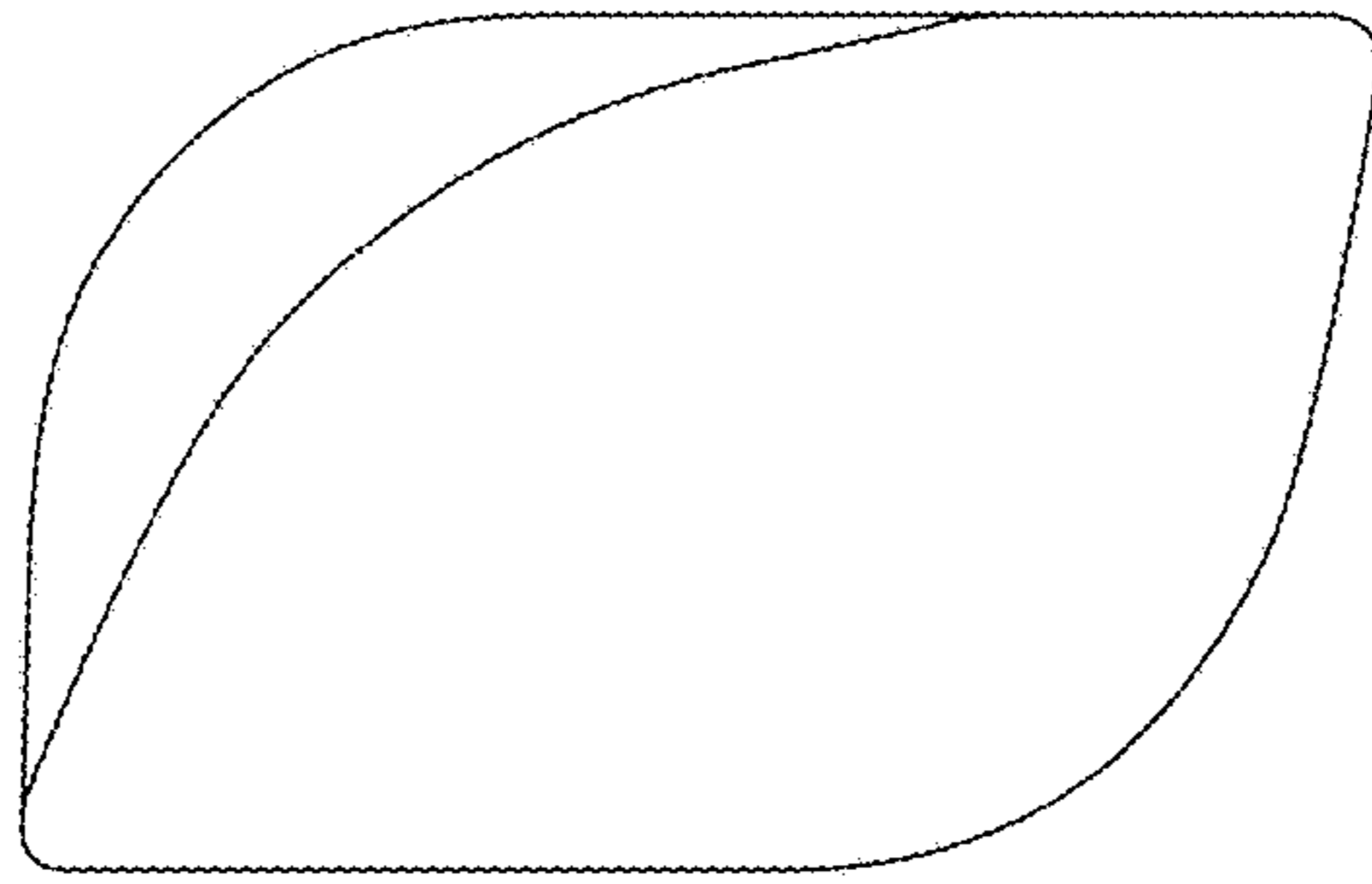


FIG. 5

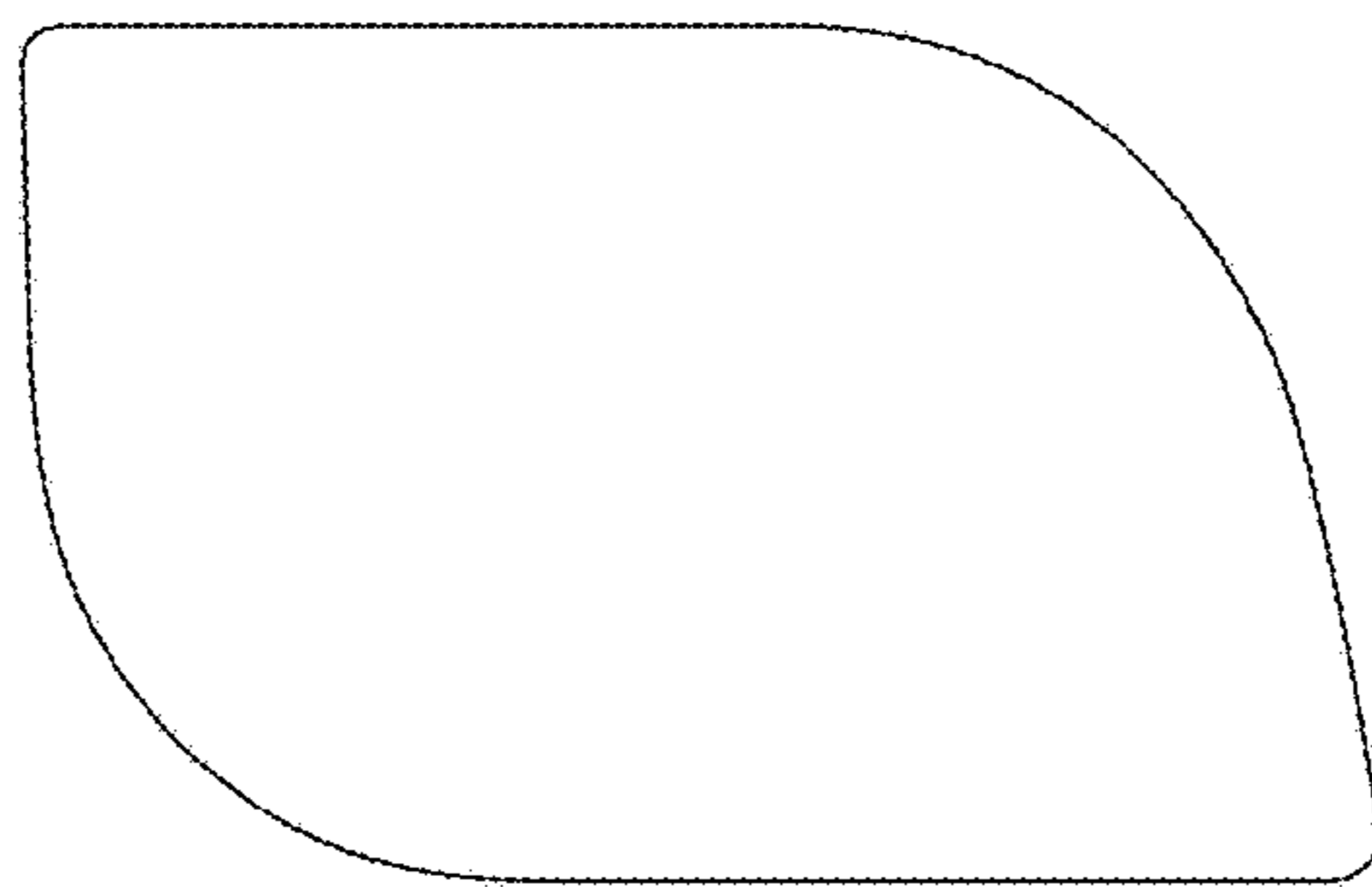


FIG. 6

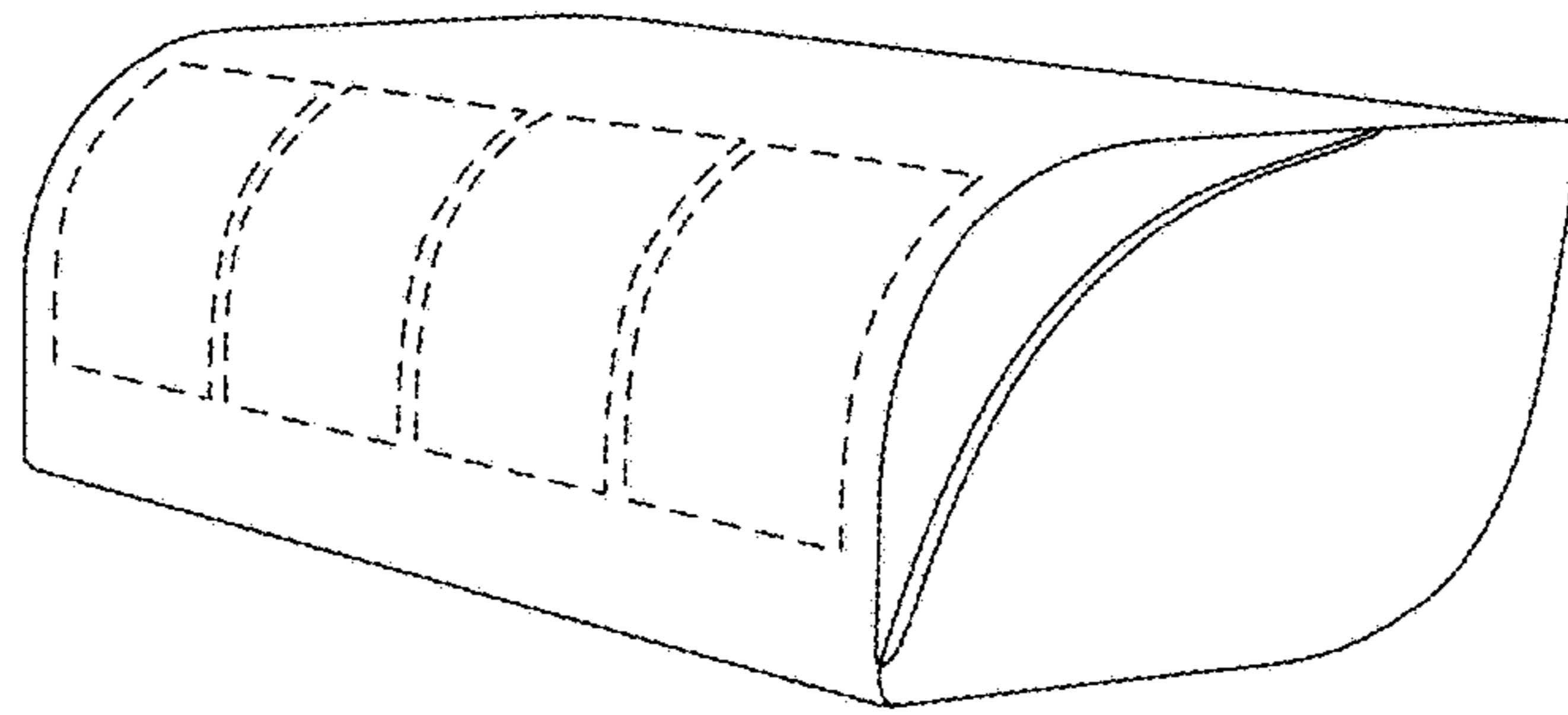


FIG. 7

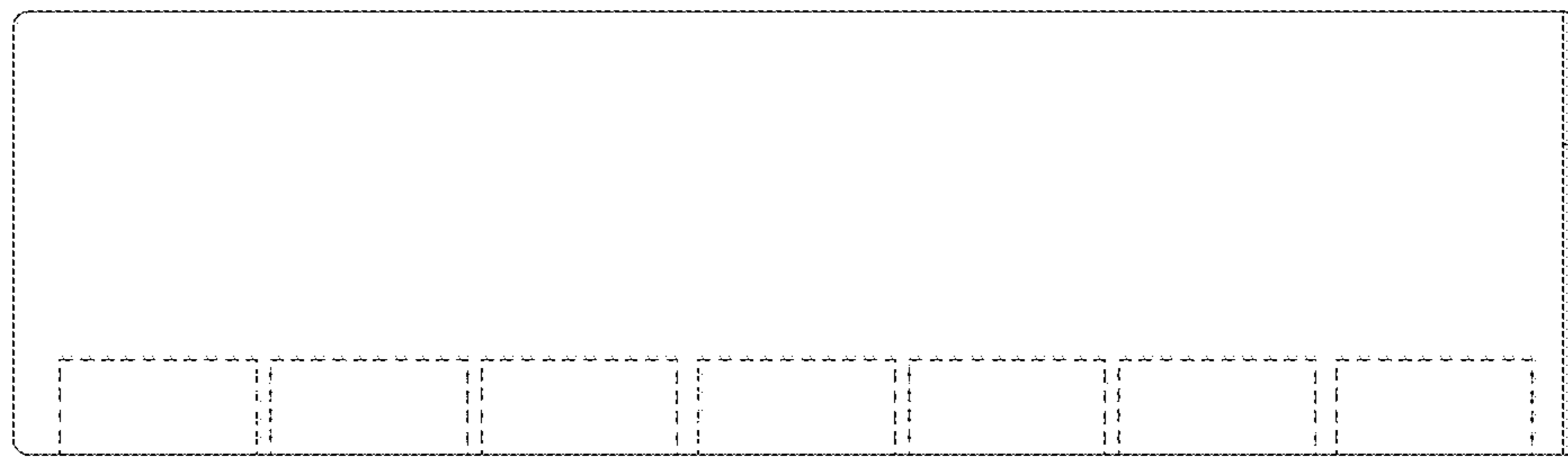


FIG. 8

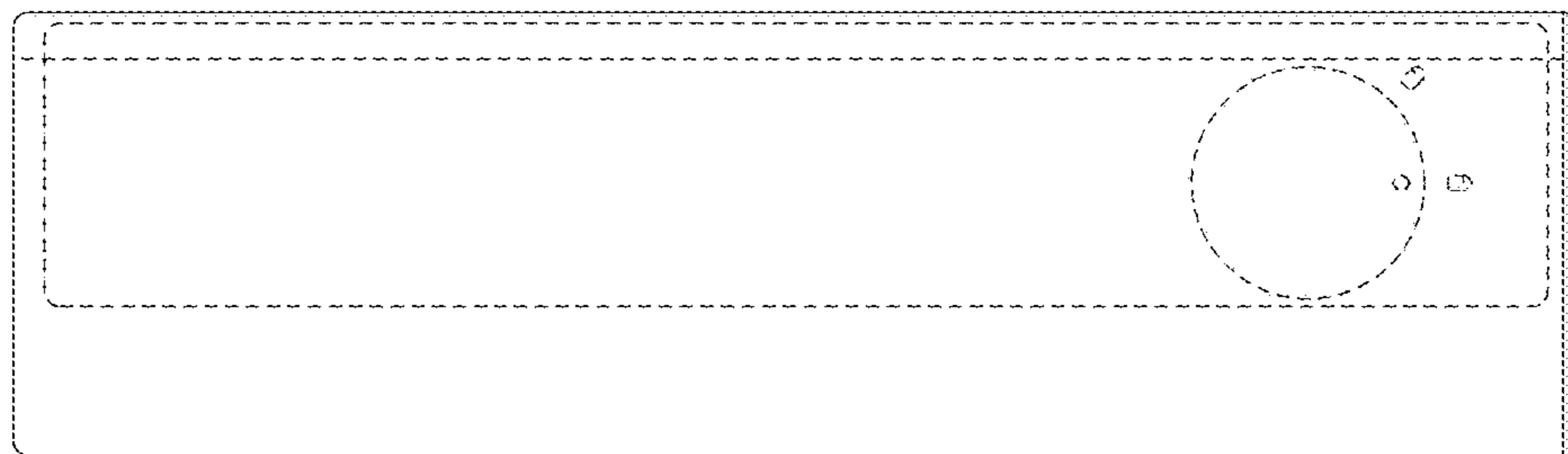


FIG. 9

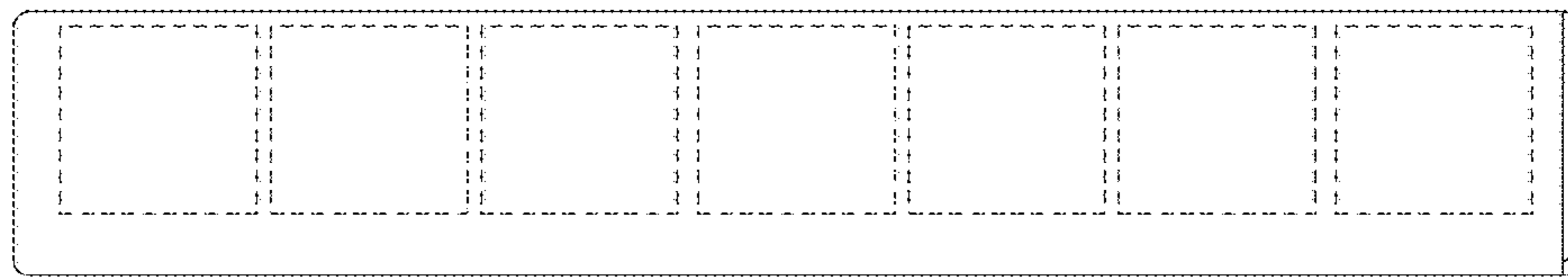


FIG. 10

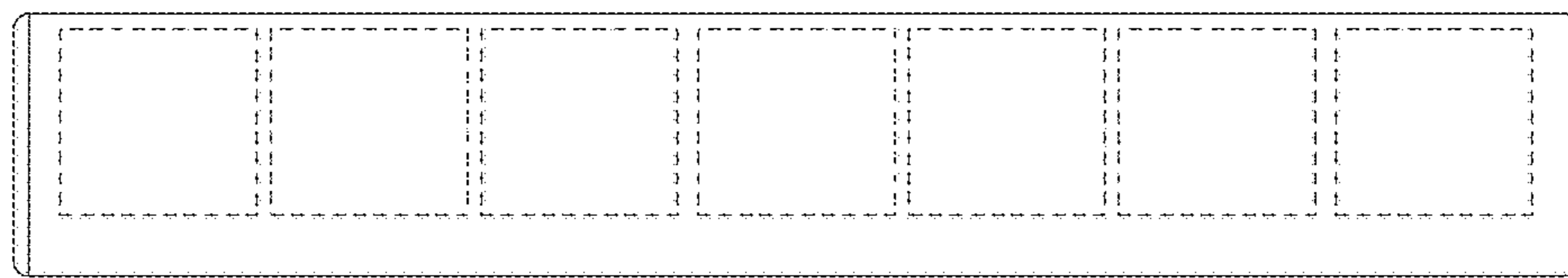


FIG. 11

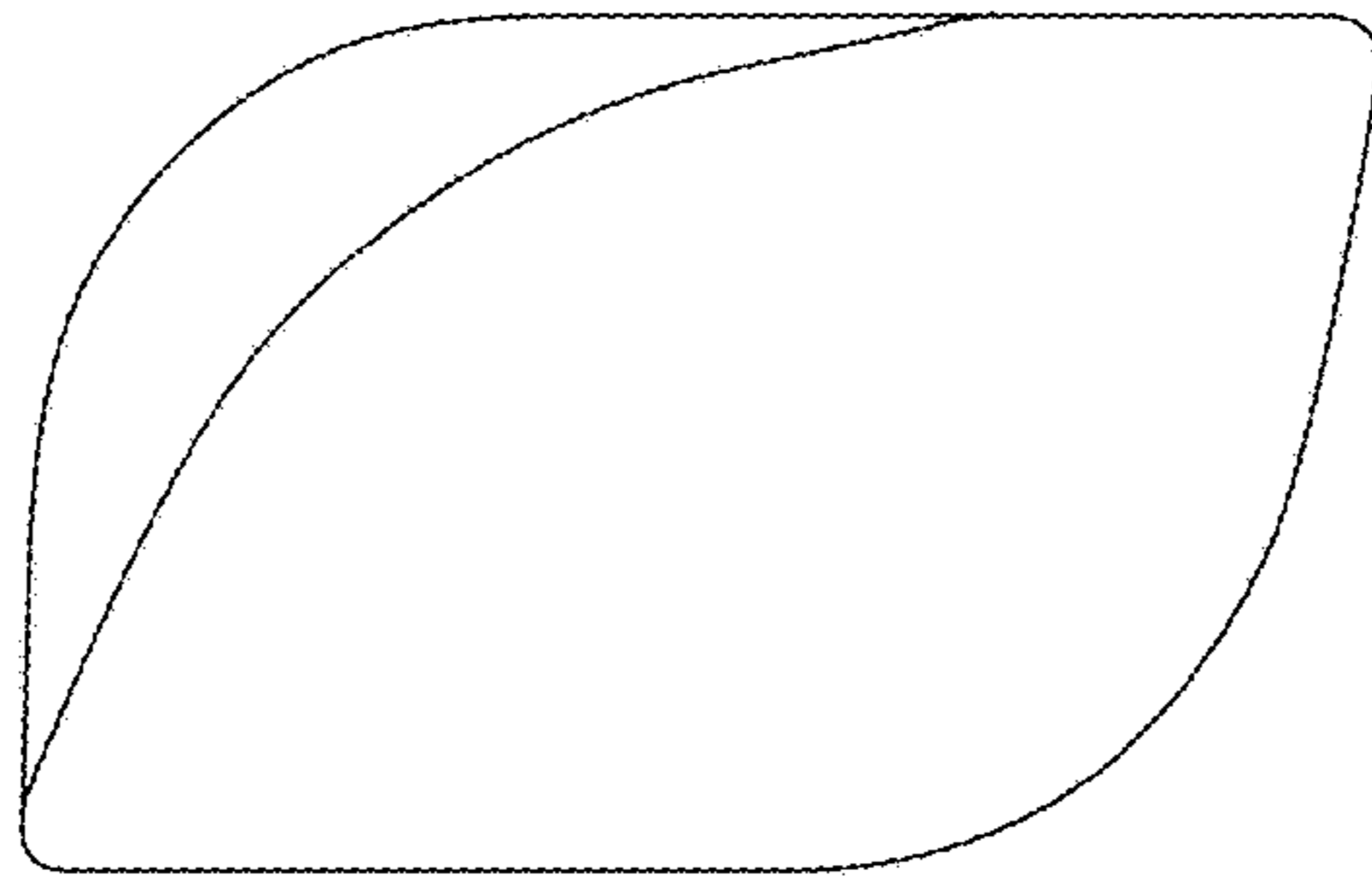


FIG. 12

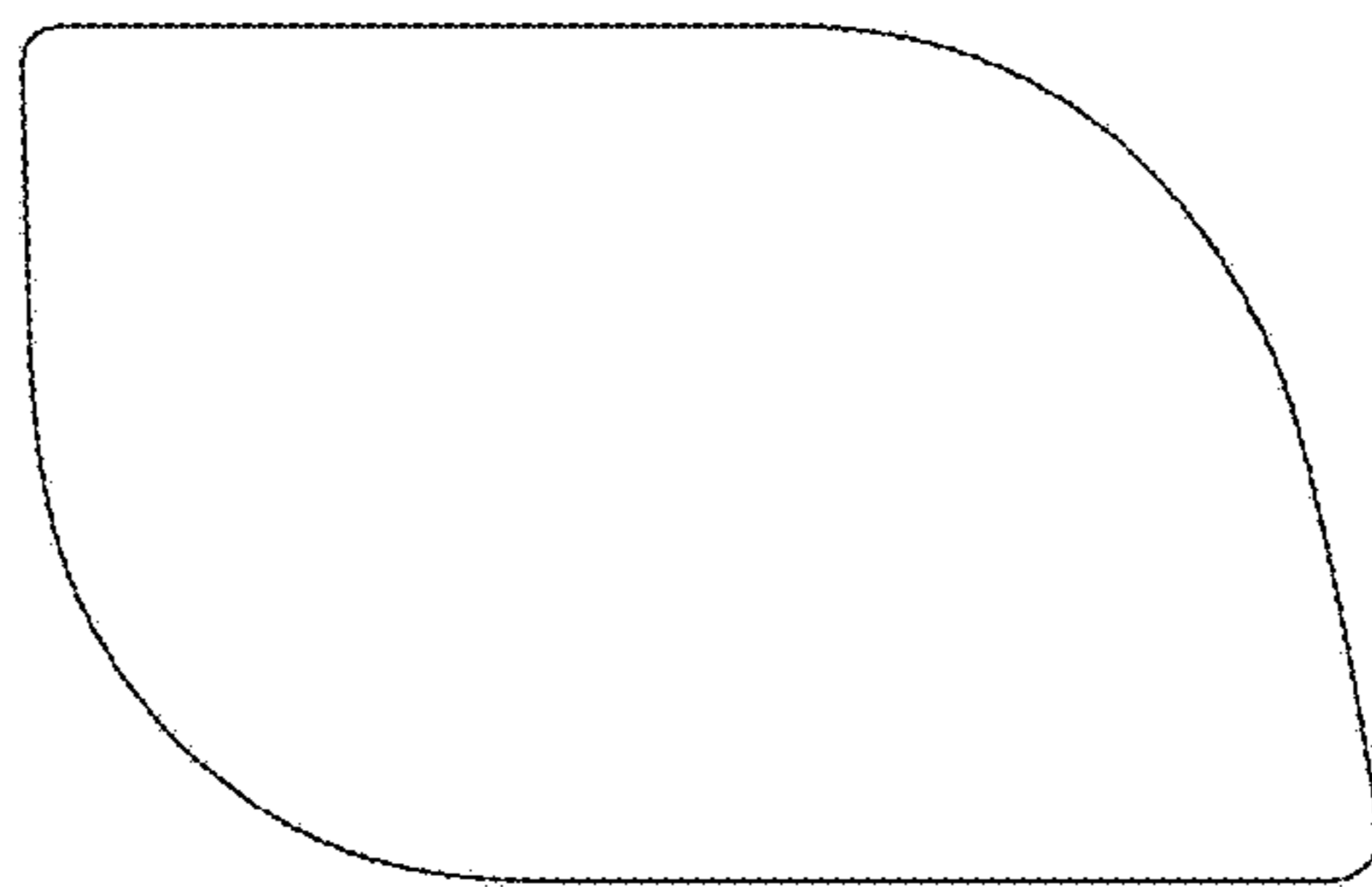


FIG. 13

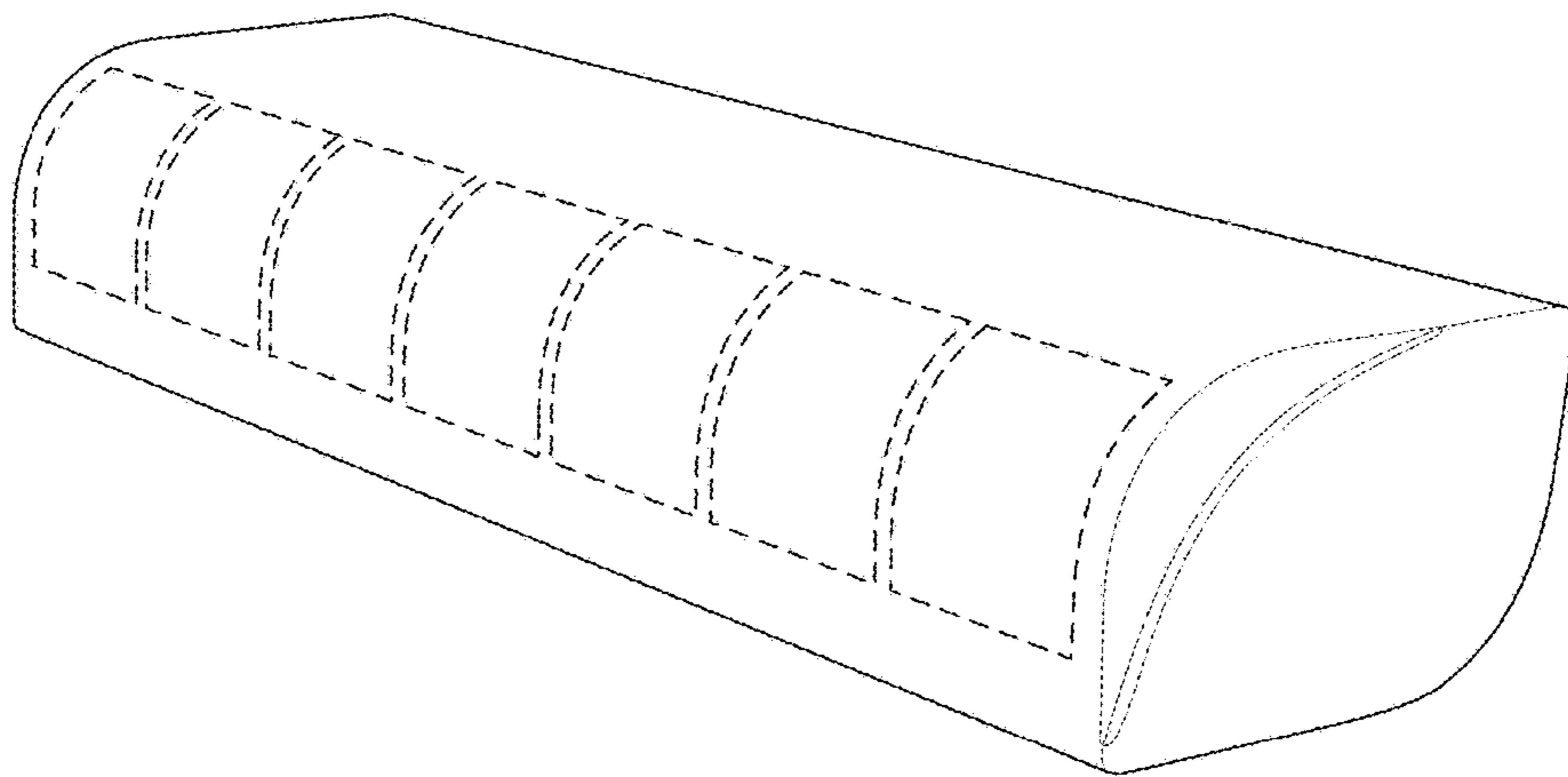


FIG. 14