



US00D849393S

(12) **United States Design Patent** (10) **Patent No.:** **US D849,393 S**
Denton et al. (45) **Date of Patent:** **** May 28, 2019**

(54) **STETHOSCOPE HOLDER**
(71) Applicants: **Matthew J. Denton**, Weymouth (GB);
Nathan L. Castle, Weymouth (GB)
(72) Inventors: **Matthew J. Denton**, Weymouth (GB);
Nathan L. Castle, Weymouth (GB)
(**) Term: **15 Years**
(21) Appl. No.: **29/662,336**
(22) Filed: **Sep. 5, 2018**

Related U.S. Application Data

(63) Continuation-in-part of application No. 29/604,355,
filed on May 17, 2017.
(51) **LOC (11) Cl.** **03-01**
(52) **U.S. Cl.**
USPC **D3/203.1**
(58) **Field of Classification Search**
USPC D3/201, 203.1, 203.7, 269; D24/134,
D24/128, 231; D9/414, 424, 455, 456,
D9/499
CPC A45F 5/00; A45F 2200/0575; A61B 7/02;
A61B 46/10; A61B 50/00; A61B 50/31;
A61F 17/00; B65D 1/36
See application file for complete search history.

(56) **References Cited**

U.S. PATENT DOCUMENTS

D240,199 S * 6/1976 Perfect et al. D9/456
D267,628 S * 1/1983 Driscoll D9/425
D280,976 S * 10/1985 Diamond D9/456
D283,083 S * 3/1986 Stednitz D3/203.1
D289,461 S * 4/1987 Humphries 30/1
D304,422 S * 11/1989 Holewinski D9/737
D304,547 S * 11/1989 Holewinski D9/737
D310,563 S * 9/1990 Greengrass D24/217
D327,363 S * 6/1992 Farb D19/75

5,441,152 A * 8/1995 Estes B25H 3/006
206/349
5,692,657 A * 12/1997 Kilo A45F 5/02
181/131
D419,772 S * 2/2000 Williams D3/201
D425,353 S * 5/2000 Foy D24/134
D431,902 S * 10/2000 Mellin D3/203.1
D445,185 S * 7/2001 Najmi D24/134
6,340,350 B1 * 1/2002 Simms A61B 5/0002
600/528
D455,253 S * 4/2002 Byrne D3/203.1
D479,645 S * 9/2003 Riley D3/203.1
D579,653 S * 11/2008 Lim D10/80
D589,798 S * 4/2009 Liipola D9/456
D592,955 S * 5/2009 Schulz D9/456
D617,546 S * 6/2010 Foster D3/203.1
D638,297 S * 5/2011 Gelardi D9/455
D683,950 S * 6/2013 Ernster D3/203.1
D723,792 S * 3/2015 Anderson D3/201
D782,332 S * 3/2017 Kim D9/456

(Continued)

Primary Examiner — John Windmuller
Assistant Examiner — Steven J Czyz
(74) *Attorney, Agent, or Firm* — Mitchell Law PLLC;
Matthew W. Mitchell

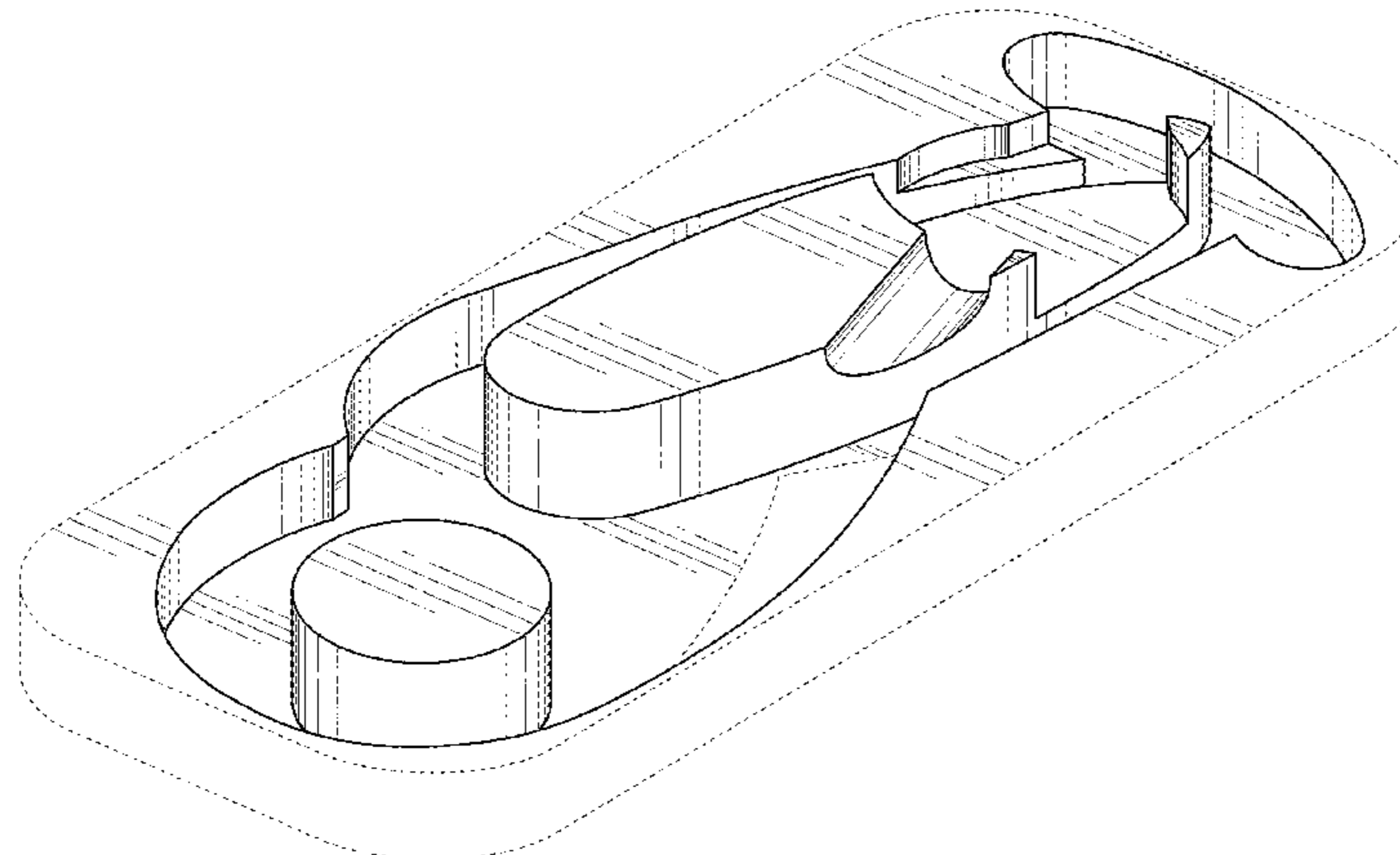
(57) **CLAIM**

The ornamental design for a stethoscope holder, as shown
and described.

DESCRIPTION

FIG. 1 is a front isometric view of a stethoscope holder of
the present invention;
FIG. 2 is a top view thereof;
FIG. 3 is a left-side view thereof;
FIG. 4 is a right-side view thereof;
FIG. 5 is a top side view thereof; and,
FIG. 6 is a bottom side view thereof.
The broken lines depict portions of the article that form no
part of the claimed design.

1 Claim, 6 Drawing Sheets



(56)

References Cited

U.S. PATENT DOCUMENTS

D829,434 S * 10/2018 Petersen D3/203.1
D829,551 S * 10/2018 Akana D9/455
D829,565 S * 10/2018 Safdie D9/737
D829,566 S * 10/2018 Safdie D9/737

* cited by examiner

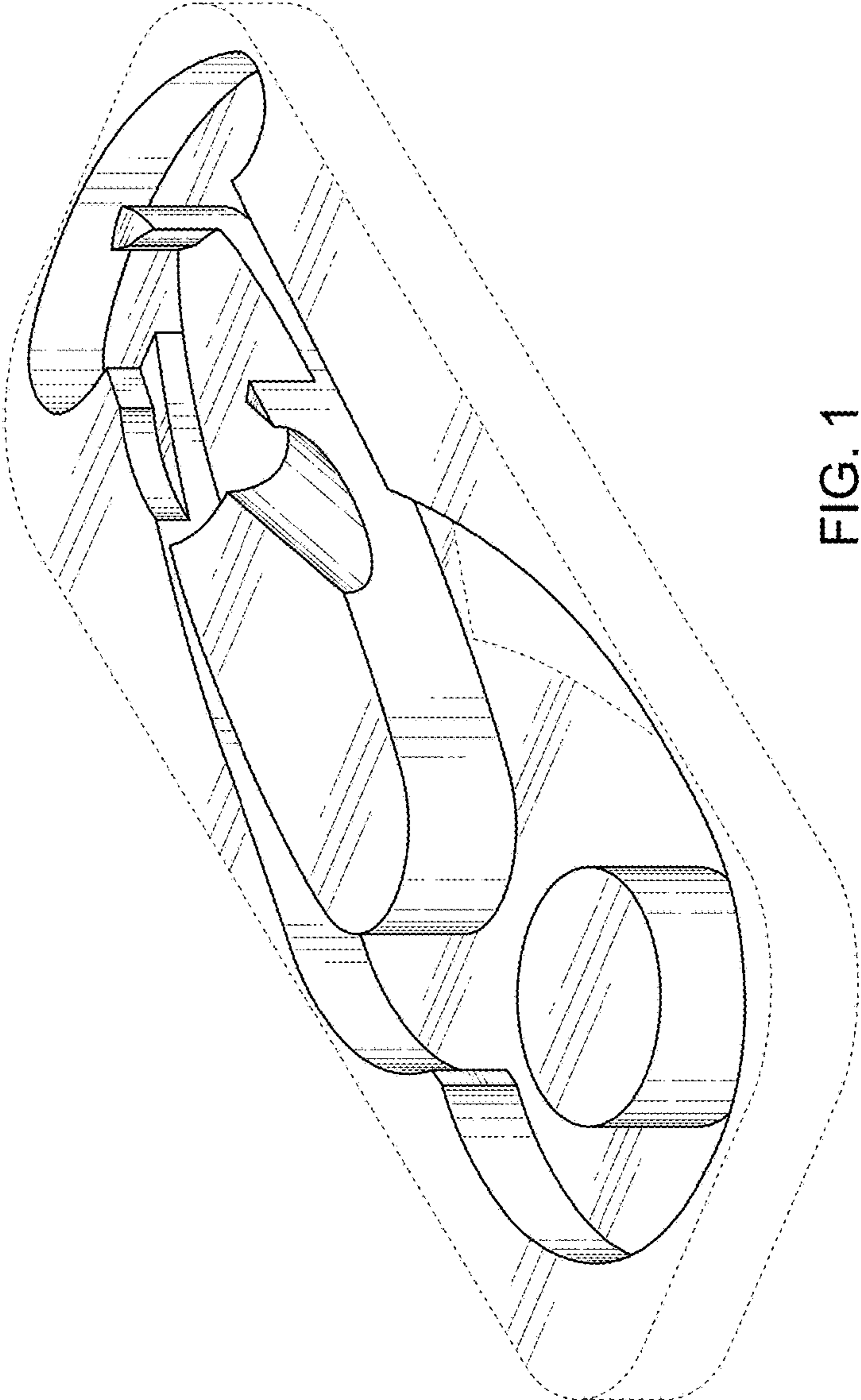


FIG. 1

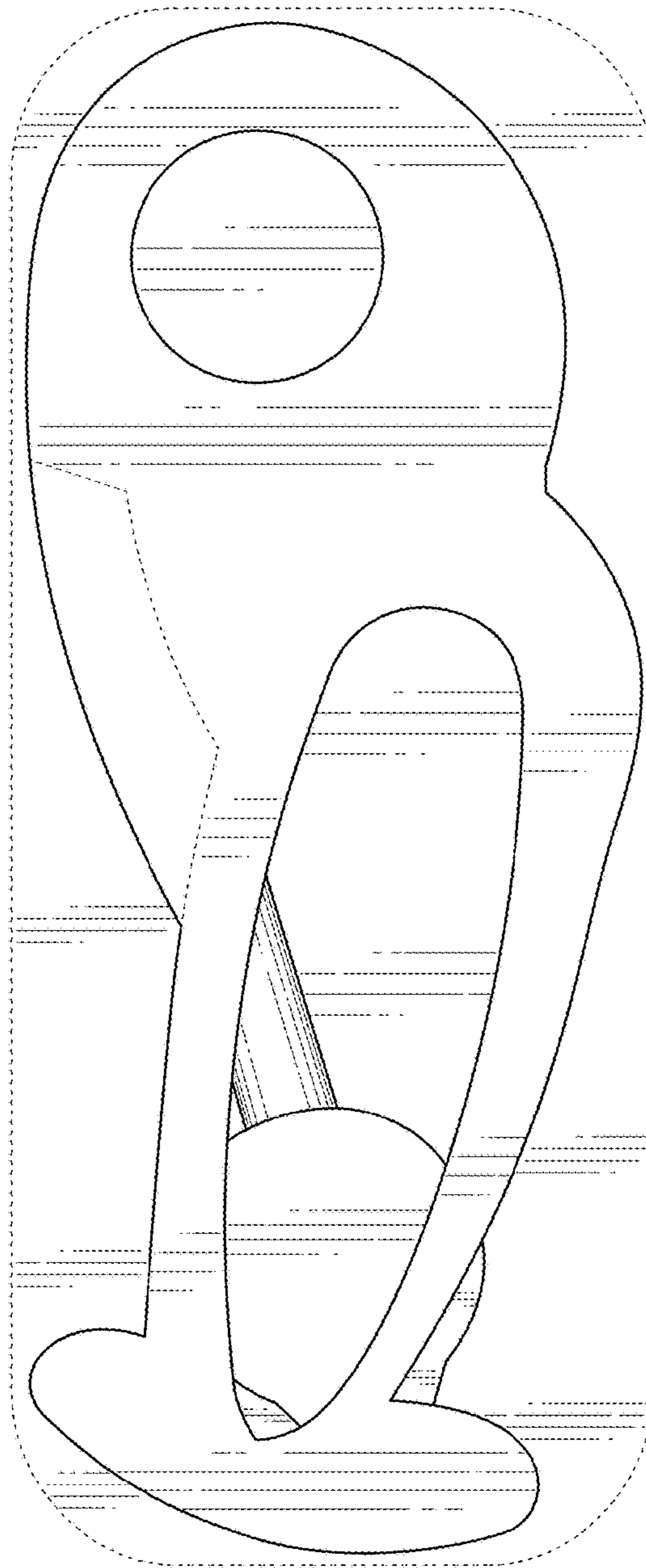


FIG. 2

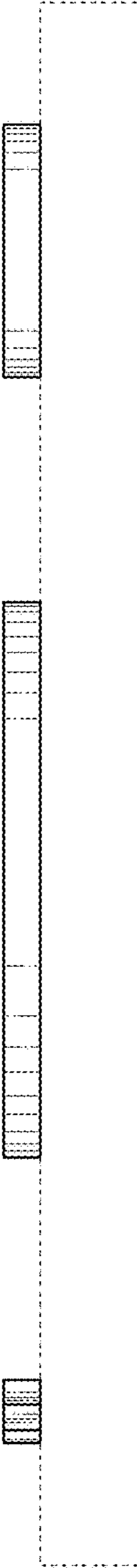


FIG. 3

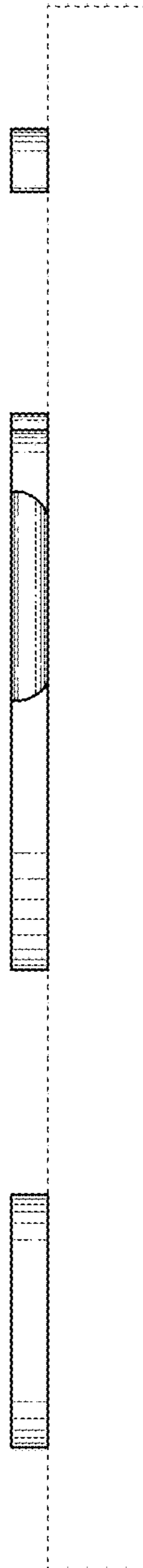


FIG. 4

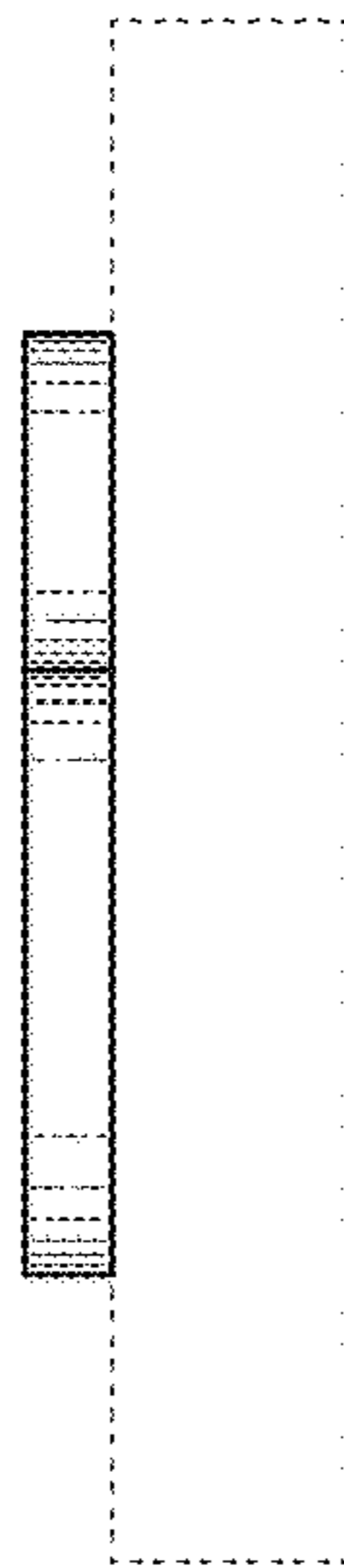


FIG. 5

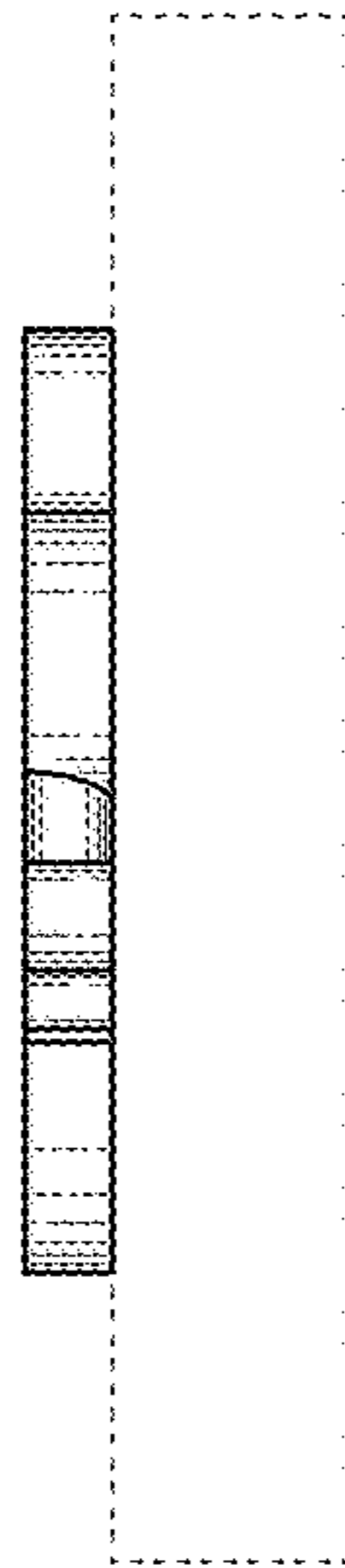


FIG. 6