



US00D849390S

(12) **United States Design Patent** (10) **Patent No.:** **US D849,390 S**
Abdul-Malik et al. (45) **Date of Patent:** **** May 28, 2019**

(54) **COMPRESSION SOCK**
(71) Applicants: **Sultan Abdul-Malik**, Middlesex (GB);
Dalila Abdul-Malik, Middlesex (GB)
(72) Inventors: **Sultan Abdul-Malik**, Middlesex (GB);
Dalila Abdul-Malik, Middlesex (GB)
(**) Term: **15 Years**
(21) Appl. No.: **29/597,017**
(22) Filed: **Mar. 14, 2017**
(51) **LOC (11) Cl.** **02-04**
(52) **U.S. Cl.**
USPC **D2/980**
(58) **Field of Classification Search**
USPC D2/980-994; D24/192; 2/239-242
CPC . D04B 1/26; D04B 1/265; D04B 1/02; D04B
1/108; D04B 1/12; D04B 1/18; D04B
9/56; D04B 9/52; D04B 15/48; D04B
15/50; D04B 21/18; A61F 13/08; A61F
13/064; A61F 13/066; A61F 13/067;
A61F 11/003; A61F 11/02; A61F 11/00
See application file for complete search history.

(56) **References Cited**
U.S. PATENT DOCUMENTS
D76,756 S * 10/1928 Lefi D2/986
D78,954 S * 7/1929 Widman D2/988
D559,526 S * 1/2008 Schilliro' D2/980
D710,593 S * 8/2014 Goodman D2/980
D726,404 S * 4/2015 Hoane D2/994
D777,418 S * 1/2017 Chiang D2/994
2011/0119808 A1* 5/2011 Sherman A61F 5/0111
2/239
2014/0289924 A1* 10/2014 Cleveland A61F 13/08
2/2.5

2015/0173428 A1* 6/2015 Langer A41D 13/0015
2/227
2015/0177080 A1* 6/2015 Esposito A61B 5/1036
2/239
2016/0228298 A1* 8/2016 Geller A61F 13/08

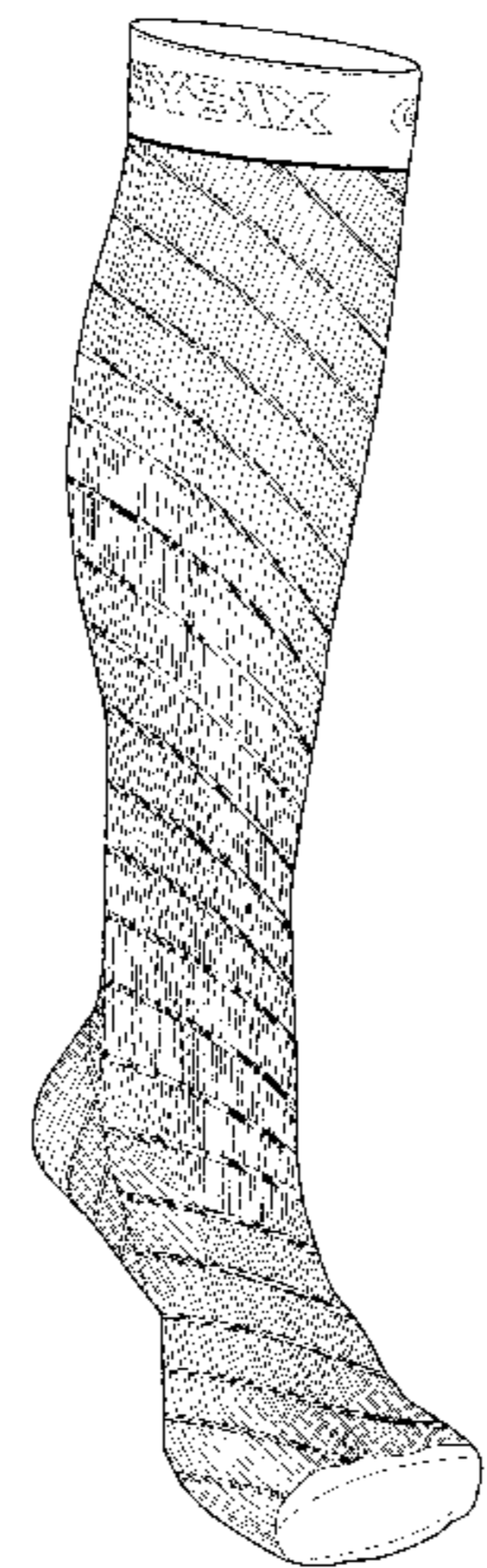
OTHER PUBLICATIONS
Best Compression Socks Review—Running, Nurses, Shin Splints, Flight Travel, & Maternity Pregnancy, posted at youtube.com, posted Oct. 26, 2016, site visited Jun. 5, 2018, online, URL: https://www.youtube.com/watch?v=7hal-_uxWcQ (Year: 2016).*

* cited by examiner
Primary Examiner — Anhdao Doan
Assistant Examiner — Mary Shannon Malley
(74) *Attorney, Agent, or Firm* — Legalforce RAPC Worldwide

(57) **CLAIM**
The ornamental design for a compression sock, as shown and described.

DESCRIPTION
FIG. 1 is a front-left perspective view for a compression sock in an in-use configuration for left leg, showing our new design;
FIG. 2 is a bottom-rear perspective view of FIG. 1 thereof;
FIG. 3 is a left-rear perspective view of FIG. 1 thereof;
FIG. 4 is a front perspective view of the compression sock of FIG. 1 in an in-use configuration for right leg thereof;
FIG. 5 is a rear perspective view of FIG. 4 thereof;
FIG. 6 is a left side elevational view of FIG. 4 thereof;
FIG. 7 is a right side elevational view of FIG. 4 thereof; and, FIG. 8 is a bottom plan view of FIG. 4 thereof.
The broken lines indicate unclaimed portions of the design and form no part of the claimed design.
The “PHYSIX GEAR” text forming part of the disclosure is a registered trademark of the The Sultans Warehouse Ltd TA Physix Gear Sport limited company (Ltd.), and applicant is the owner of the trademark.

1 Claim, 8 Drawing Sheets



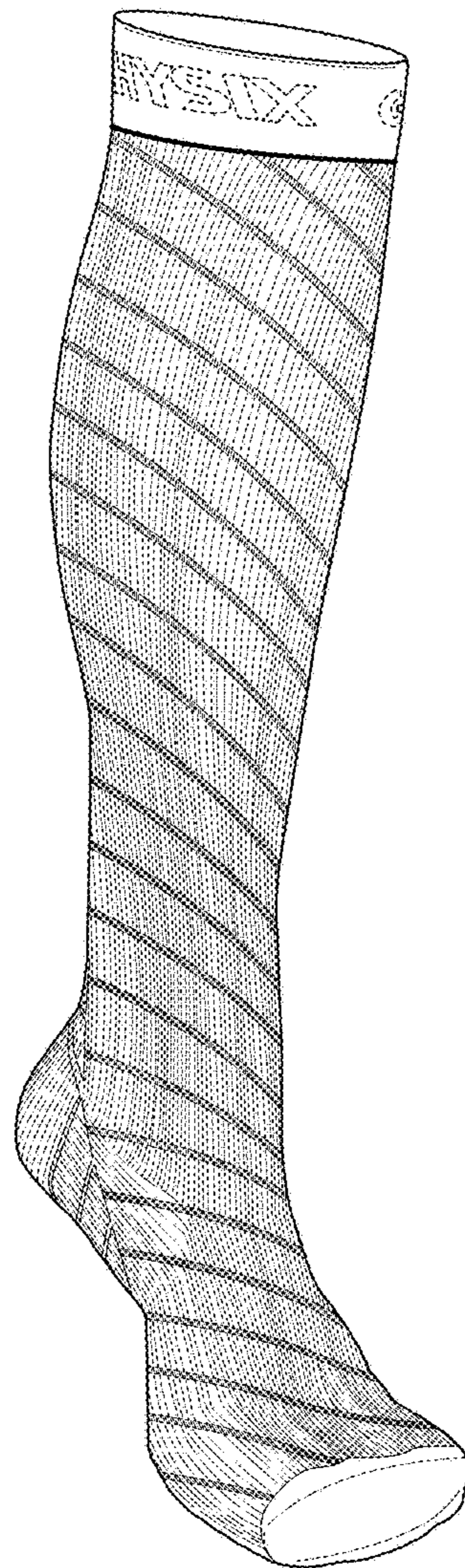


FIG. 1

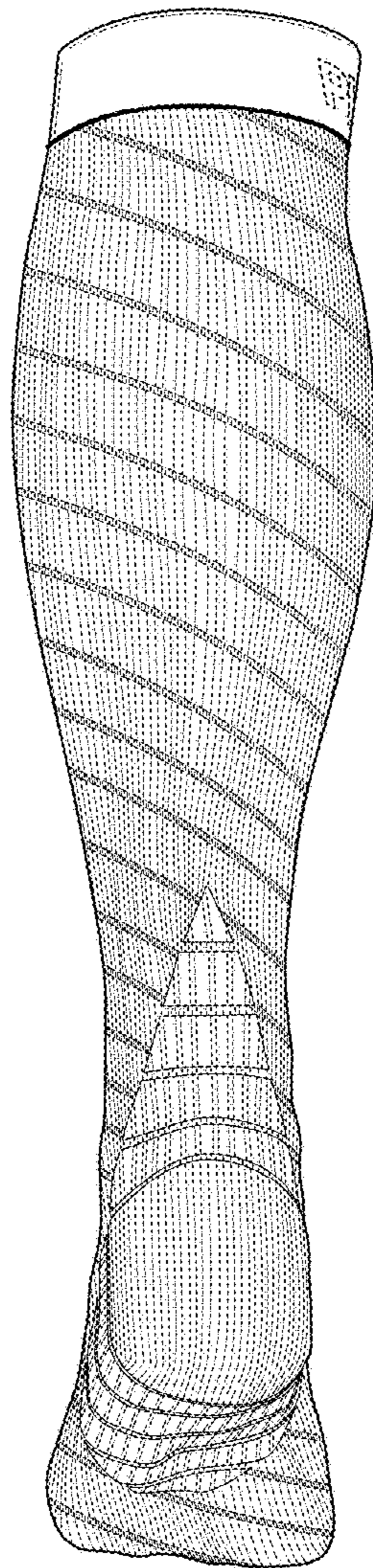


FIG. 2

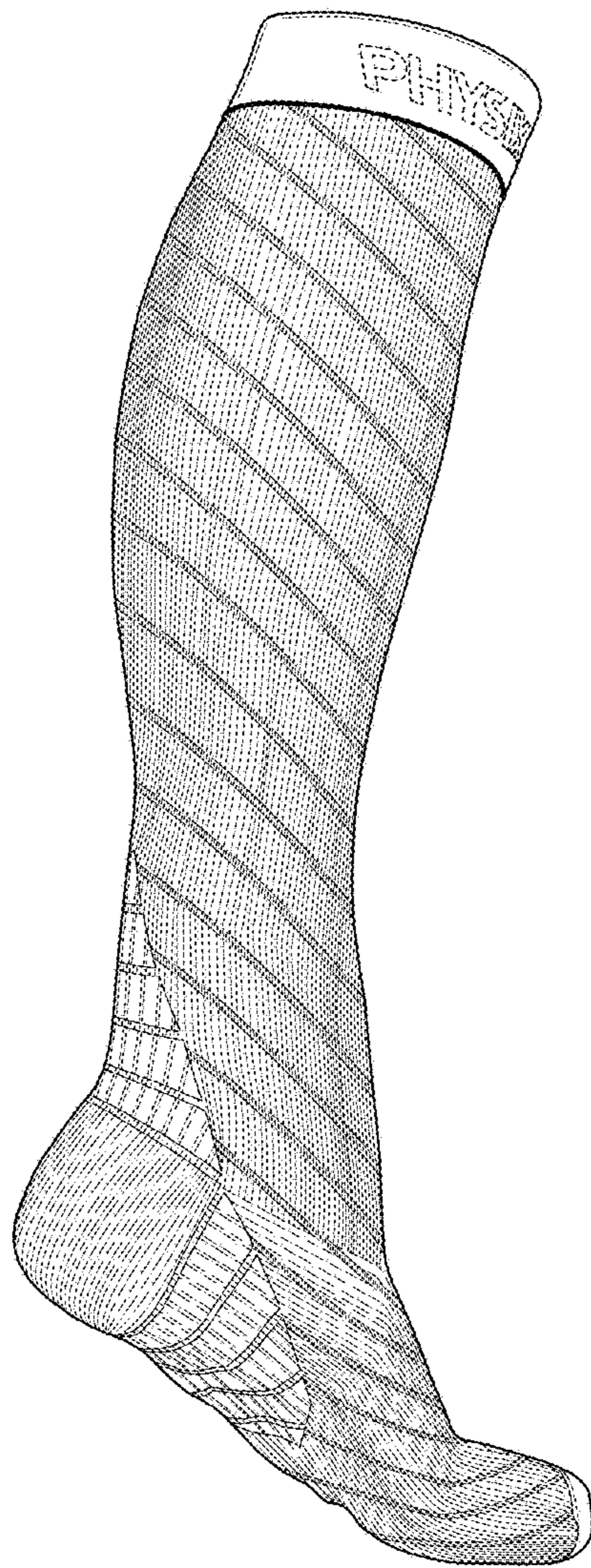


FIG. 3

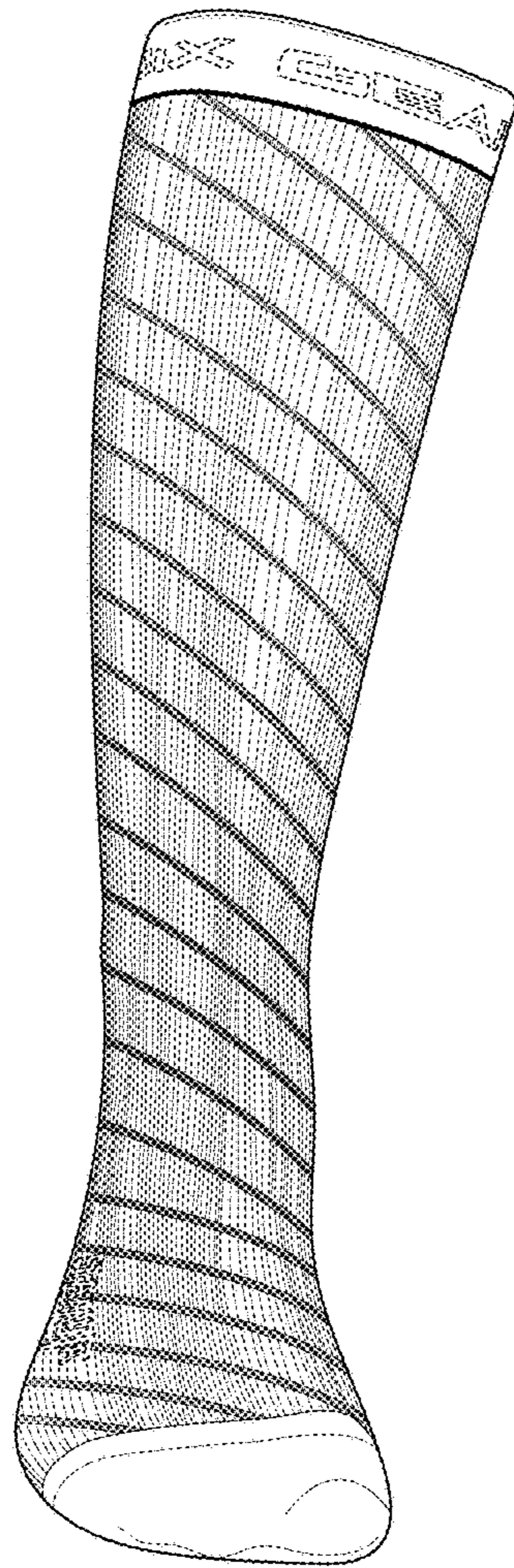


FIG. 4

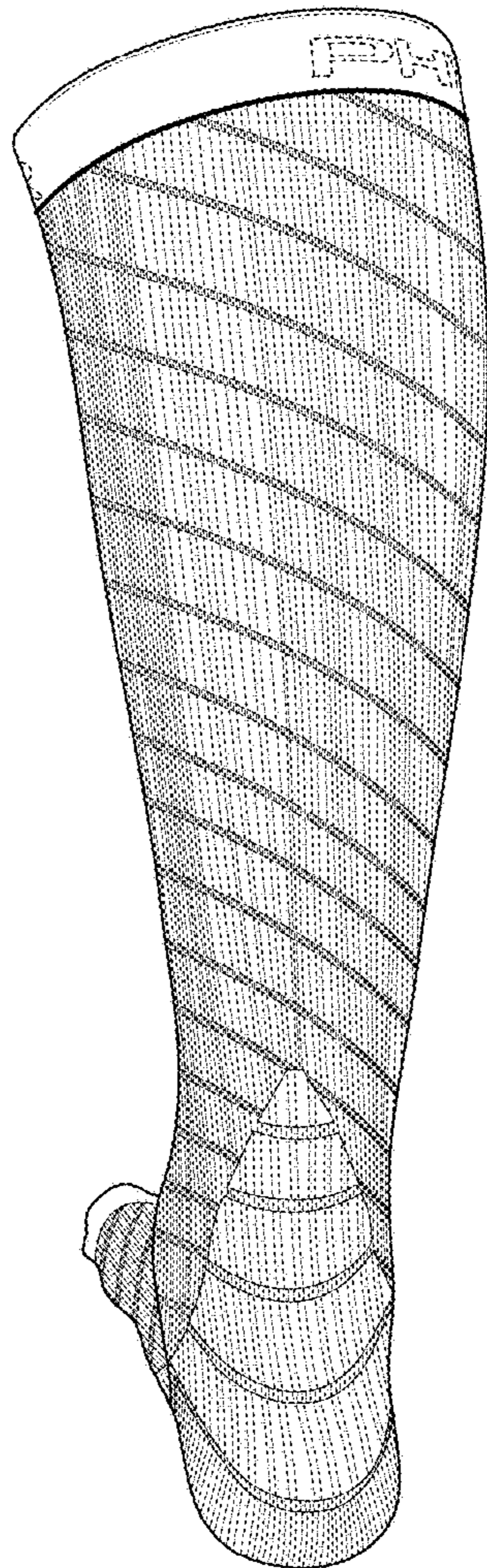


FIG. 5

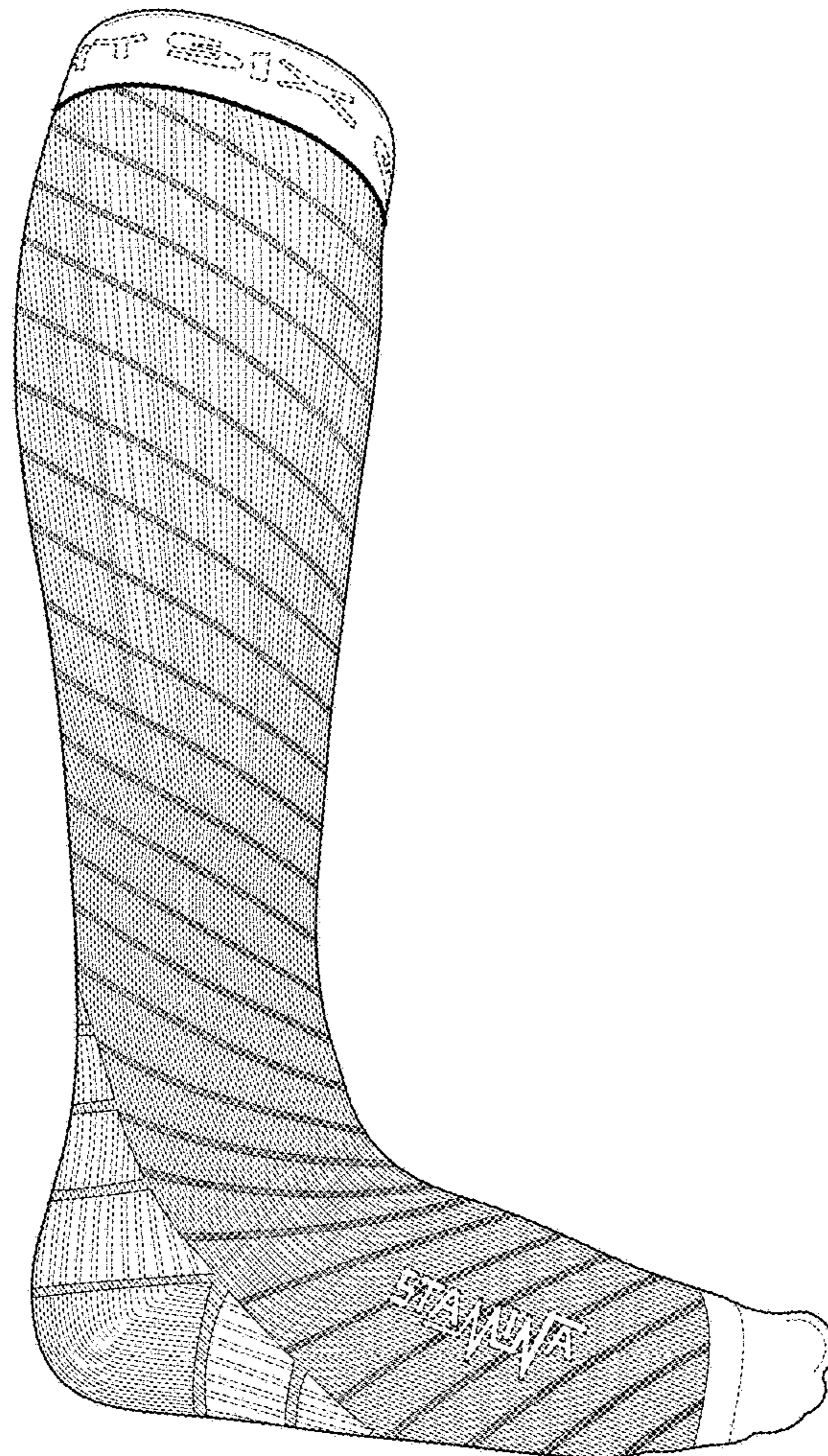


FIG. 6

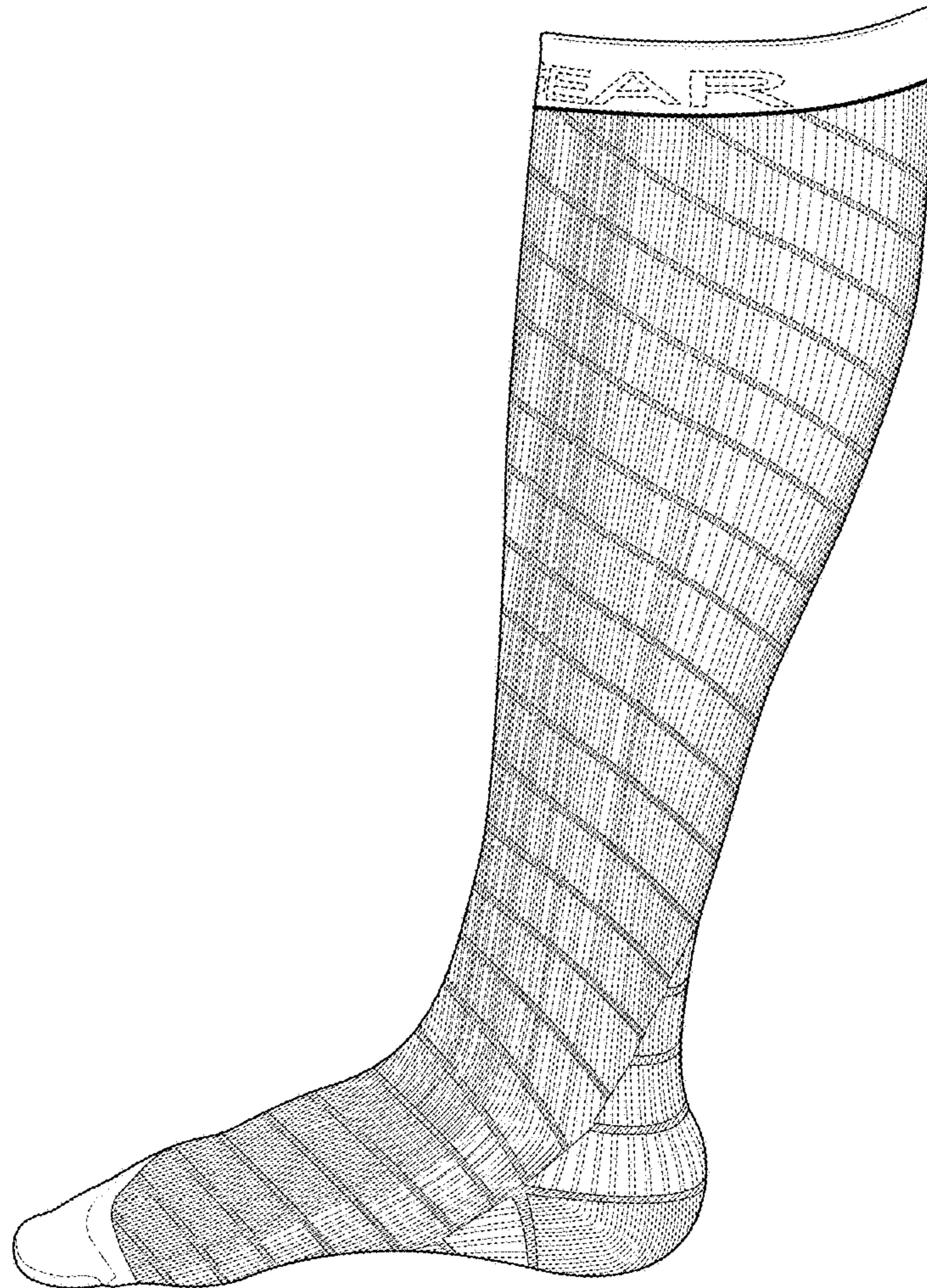


FIG. 7

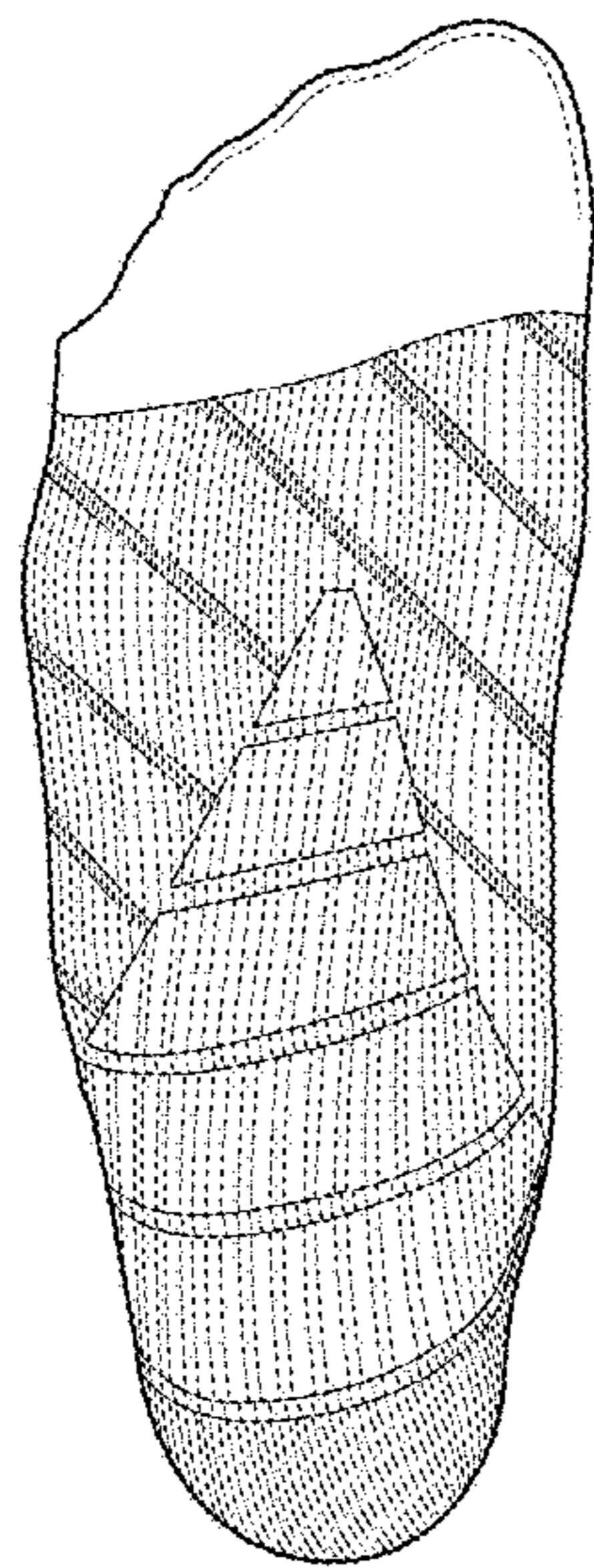


FIG. 8