



US00D849383S

(12) **United States Design Patent** (10) **Patent No.:** **US D849,383 S**
Petrie (45) **Date of Patent:** **** May 28, 2019**

(54) **SHOE OUTSOLE**
(71) Applicant: **NIKE, Inc.**, Beaverton, OR (US)
(72) Inventor: **Jason G. Petrie**, Portland, OR (US)
(73) Assignee: **NIKE, Inc.**, Beaverton, OR (US)
(**) Term: **15 Years**

(21) Appl. No.: **29/623,491**
(22) Filed: **Oct. 25, 2017**
(51) **LOC (11) Cl.** **02-04**
(52) **U.S. Cl.**
USPC **D2/960**; D2/951; D2/953
(58) **Field of Classification Search**
USPC D2/902, 906, 908, 916, 918, 925,
D2/946-962, 977; 36/3 B, 22 R, 24.5,
36/25 R, 28, 32 R, 34 R, 59 C, 67 A, 103
CPC A43B 13/00; A43B 13/02; A43B 13/023;
A43B 13/026; A43B 13/04; A43B 13/08;
A43B 13/10; A43B 13/12; A43B 13/14;
A43B 13/141; A43B 13/143; A43B
13/16; A43B 13/18; A43B 13/181; A43B
13/187; A43B 13/189; A43B 13/20; A43B
13/22; A43B 13/223; A43B 13/24; A43B
13/28; A43B 13/30; A43B 13/32; A43B
13/34; A43B 13/36
See application file for complete search history.

(56) **References Cited**
U.S. PATENT DOCUMENTS

D310,906 S *	10/1990	Hase	D2/977
D521,715 S *	5/2006	Lotti	D2/957
D536,861 S *	2/2007	Rasmussen	D2/951
D544,185 S *	6/2007	Lupo	D2/951
D546,036 S *	7/2007	Schoenborn	D2/953
D738,077 S *	9/2015	Montross	D2/951
D744,218 S *	12/2015	Miner	D2/951
D748,385 S *	2/2016	Birkinhead	D2/951
D768,368 S *	10/2016	Birkinhead	D2/953

D779,182 S *	2/2017	Hobson	D2/960
D791,455 S *	7/2017	Birkinhead	D2/960
D792,690 S *	7/2017	Swierszczk	D2/951
D801,654 S *	11/2017	Young	D2/953
D812,883 S *	3/2018	Gibson	D2/960
D815,412 S *	4/2018	Guest	D2/964

(Continued)

OTHER PUBLICATIONS

Nike Zoom Soldier 6—Holiday 2012 [online], [retrieved Aug. 29, 2018] retrieved from Internet <URL: <https://solecollector.com/news/2012/03/nike-zoom-soldier-6-holiday-2012/>>; 6 color sheets, Dated Mar. 22, 2012.

(Continued)

Primary Examiner — T Chase Nelson
(74) *Attorney, Agent, or Firm* — Banner & Witcoff, Ltd.

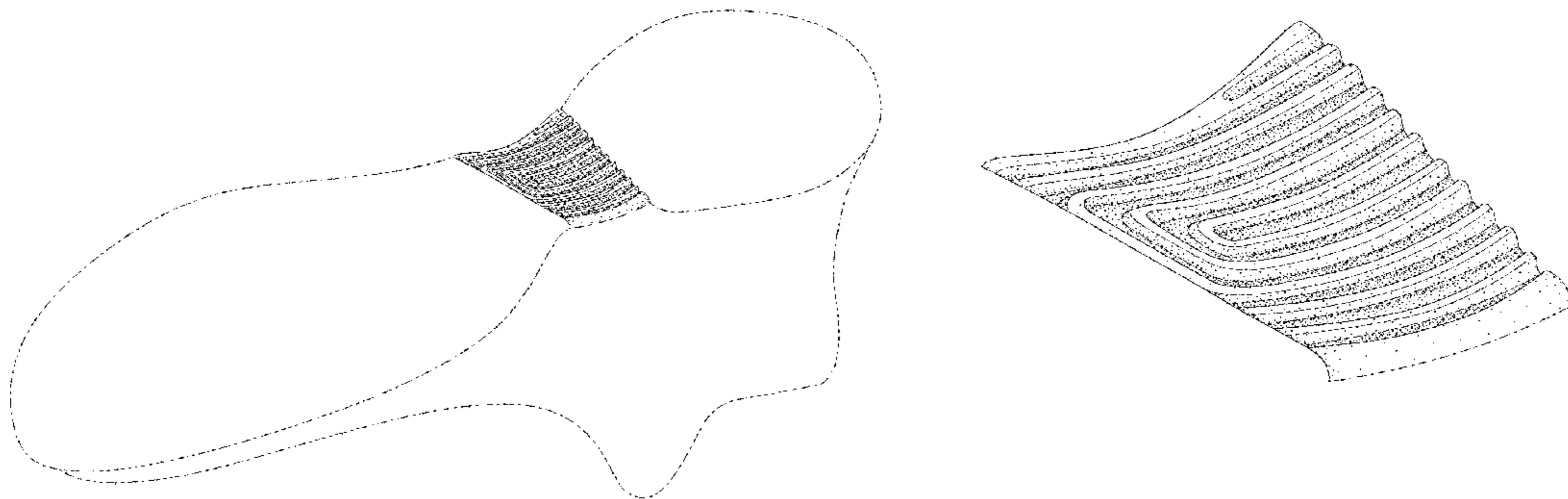
(57) **CLAIM**

The ornamental design for a shoe outsole, as shown and described.

DESCRIPTION

FIG. 1 is a front perspective view of a shoe outsole showing my new design;
FIG. 2 is a bottom view thereof;
FIG. 3 is a rear perspective view thereof;
FIG. 4 is an enlarged view of FIG. 1 with environmental portions removed for clarity;
FIG. 5 is an enlarged view of FIG. 2 with environmental portions removed for clarity;
FIG. 6 is an enlarged view of FIG. 3 with environmental portions removed for clarity; and,
FIG. 7 is a cross section taken through line 7-7 of FIG. 2. The broken lines immediately adjacent to the shaded area define the bounds of the claimed design and form no part thereof. The broken lines showing the remainder of the shoe represent unclaimed subject matter and form no part of the claimed design.

1 Claim, 7 Drawing Sheets



(56)

References Cited

U.S. PATENT DOCUMENTS

D819,944	S *	6/2018	Martin	D2/953
D819,946	S *	6/2018	Hardman	D2/960
D820,570	S *	6/2018	Mokos	D2/960
D821,078	S *	6/2018	Galway	D2/960
D821,720	S *	7/2018	Enayah	D2/960
D821,722	S *	7/2018	Chang	A43B 5/10 D2/960
D833,724	S *	11/2018	Link	D2/960
D833,725	S *	11/2018	Hernandez	D2/960
2005/0257402	A1 *	11/2005	Kobayashi	A43B 5/10 36/59 R
2018/0160773	A1 *	6/2018	Goldman	A43B 13/223

OTHER PUBLICATIONS

Nike Lebron Zoom Solider 9 “Sprite” (Official Images) [online], [retrieved Aug. 19, 2018] retrieved from internet <URL: <https://

www.kicksonfire.com/nike-lebron-zoom-soldier-9-sprite-official-images/>>; 8 color sheets, Dated Jun. 18, 2015.

Nike Lebron Soldier 10 Finals Championship Shoes [online], [retrieved Aug. 20, 2018] retrieved from Internet <URL: <http://www.kicksologists.com/2016/06/19/nike-lebron-soldier-10-finals-championship-shoes/>>; 3 color sheets, Dated Jun. 19, 2016.

Release Date: Nike Lebron Zoom Soldier 11 [online], [retrieved Aug. 29, 2018] retrieved from internet <URL: <https://www.kicksonfire.com/nike-lebron-zoom-soldier-11-white-gold-release-date/>>; 7 color sheets, Dated May 18, 2017.

Nike Lebron 15 Releasing in Black and Gum [online], [retrieved Aug. 29, 2018] retrieved from internet <URL: <https://sneakernews.com/2017/10/19/nike-lebron-15-black-gum/>>; 5 color sheets, Dated Oct. 19, 2017.

Men’S Adidas Tubular Shadow Casual Shoes [online], [retrieved Aug. 29, 2018] retrieved from internet <URL: <https://www.finishline.com/store/product/mens-adidas-tubular-shadow-casual-shoes/prod1112597>>; 2 color sheets, Publish date unknown, but prior to filing of present application.

* cited by examiner

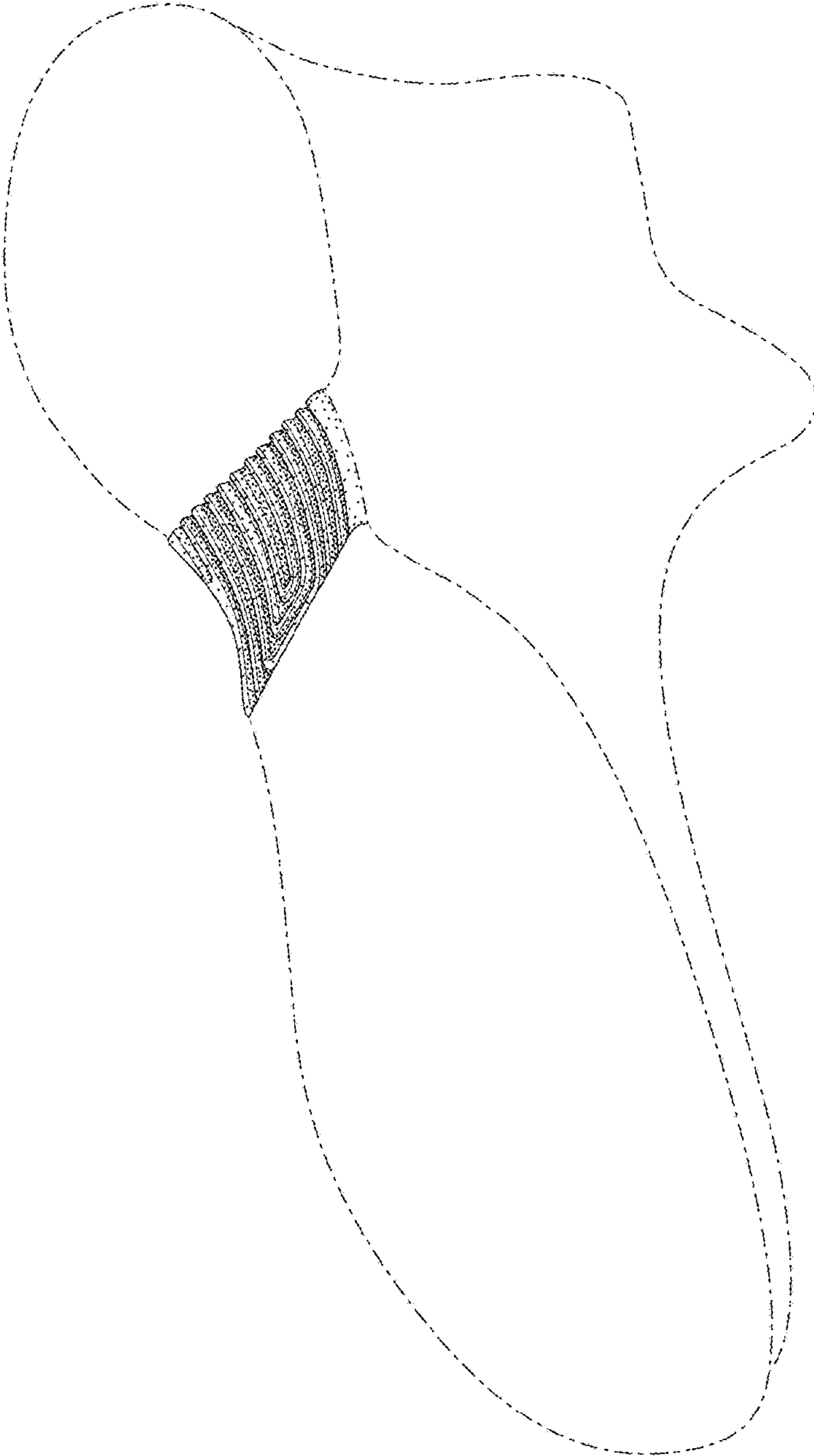


FIG. 1

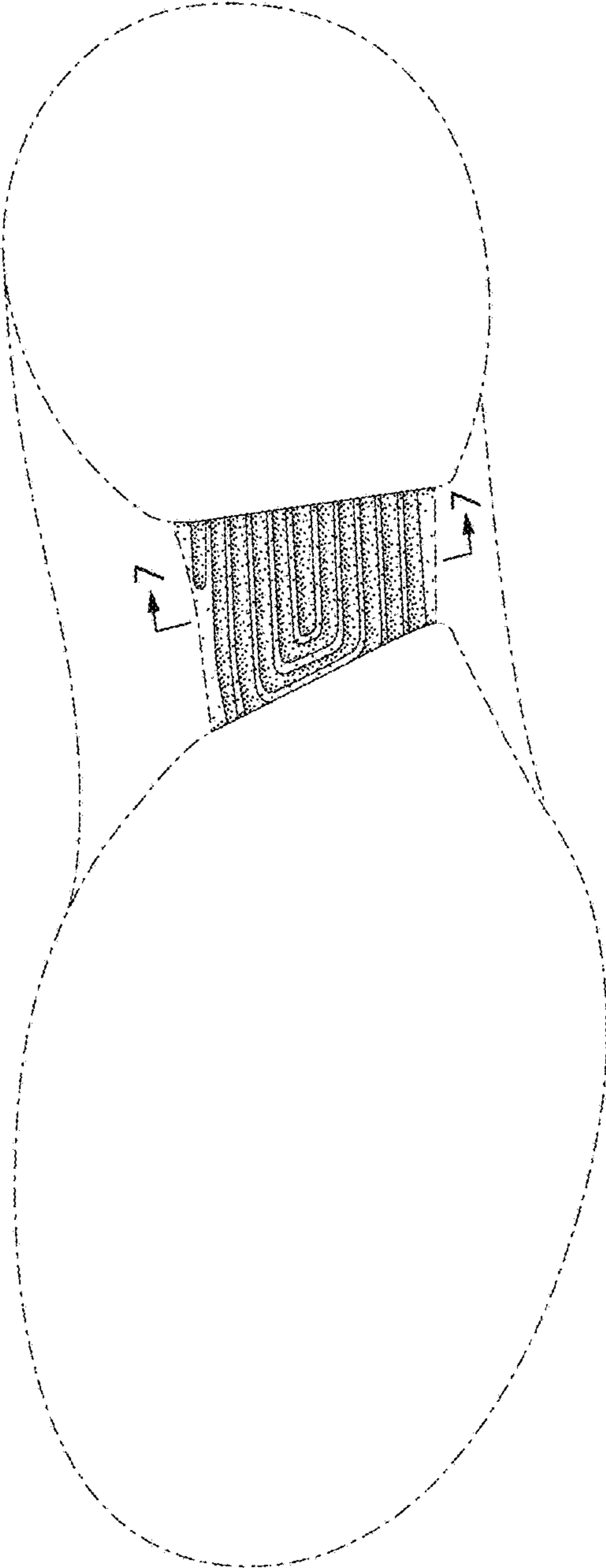


FIG. 2

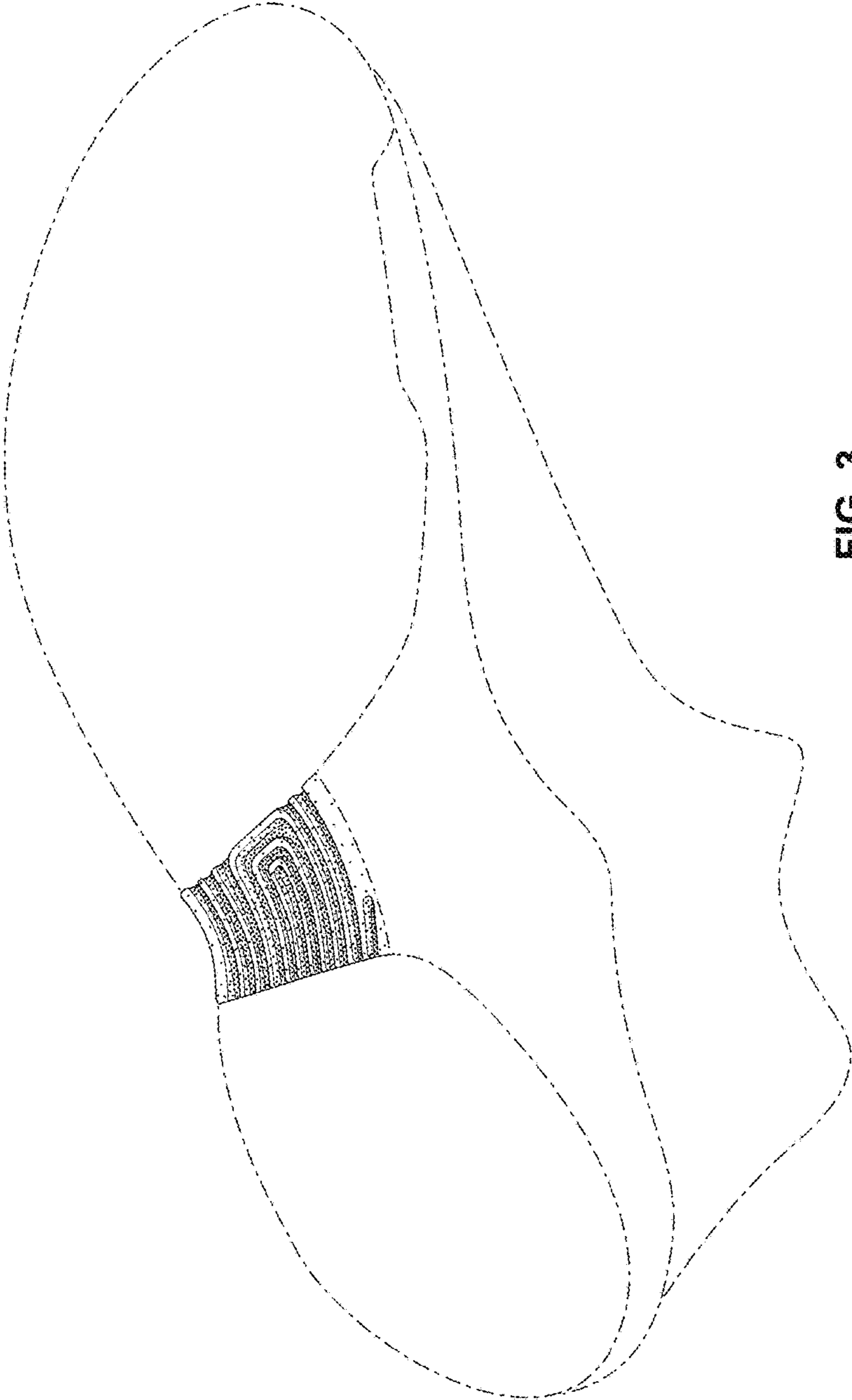


FIG. 3

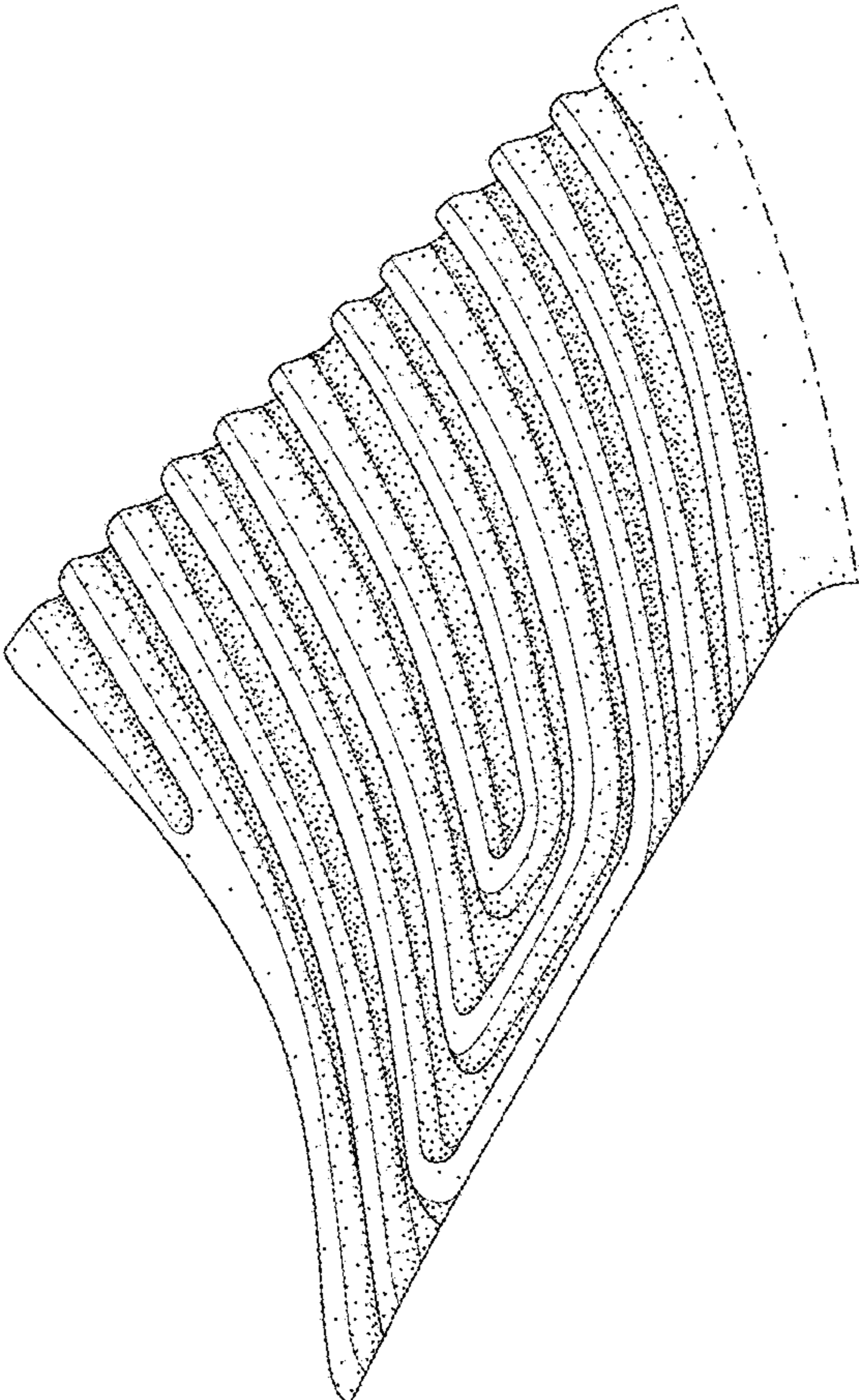


FIG. 4

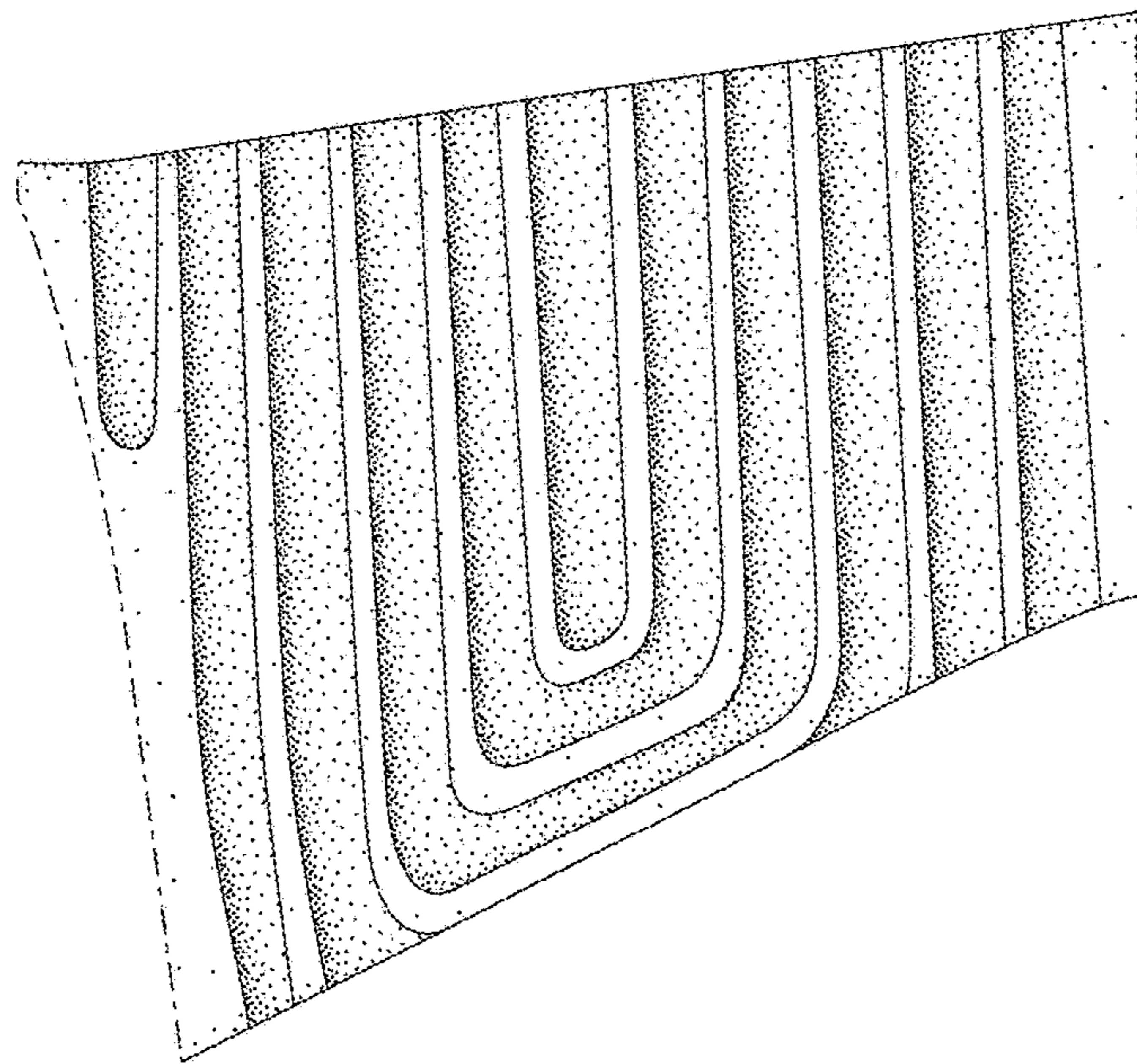


FIG. 5

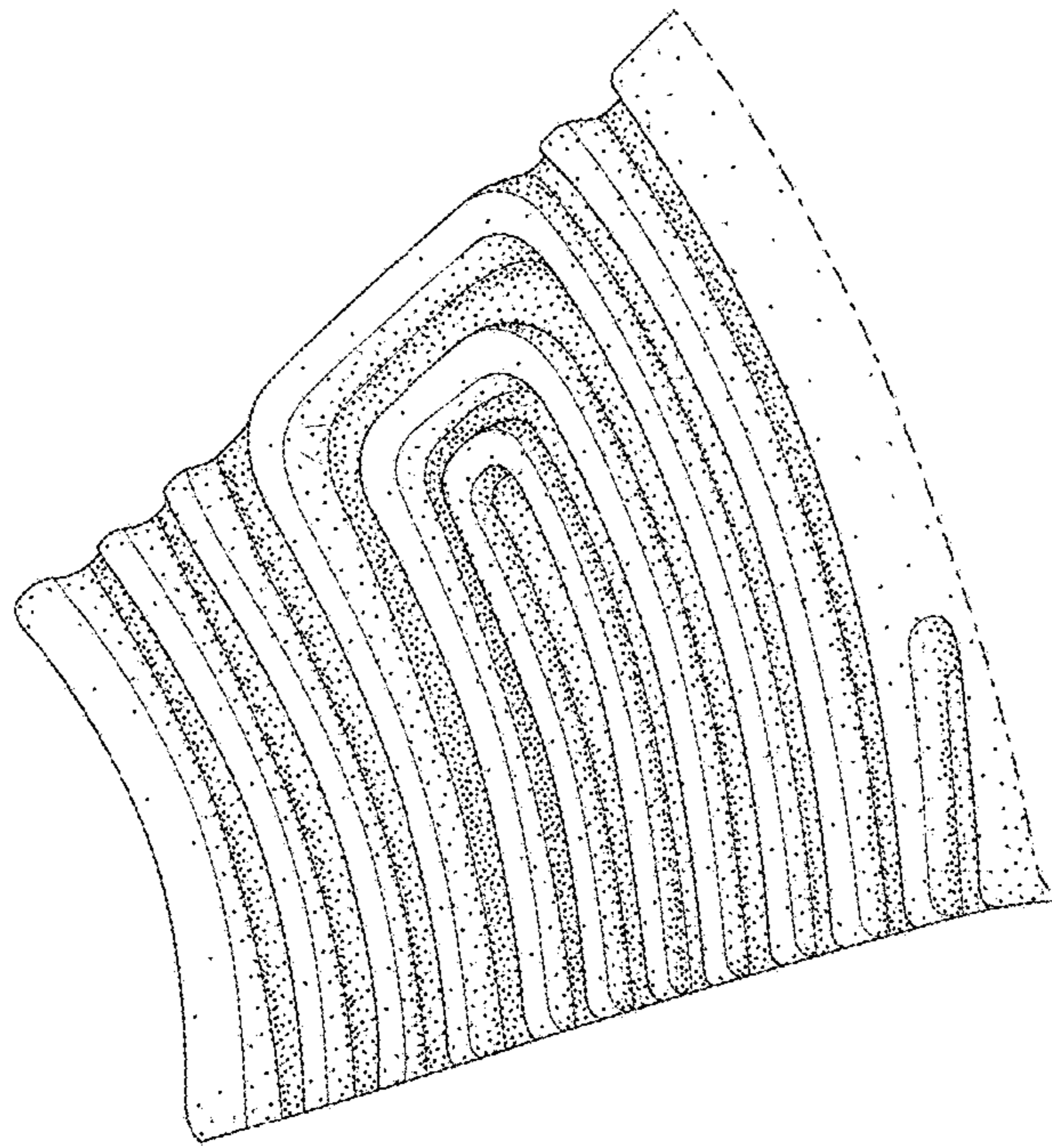


FIG. 6



FIG. 7