



US00D849370S

(12) **United States Design Patent**
Garcia et al.

(10) **Patent No.:** **US D849,370 S**

(45) **Date of Patent:** **** May 28, 2019**

(54) **HAT BILL**

(71) Applicants: **Marcos Garcia**, Holyoke, MA (US);
Amanda L. Garcia, Holyoke, MA (US)

(72) Inventors: **Marcos Garcia**, Holyoke, MA (US);
Amanda L. Garcia, Holyoke, MA (US)

(**) Term: **15 Years**

(21) Appl. No.: **29/627,342**

(22) Filed: **Nov. 27, 2017**

(51) **LOC (11) Cl.** **02-03**

(52) **U.S. Cl.**
USPC **D2/893**

(58) **Field of Classification Search**
USPC D2/865, 866, 869, 870, 871, 872, 873,
D2/874, 875, 876, 877, 878, 879, 880,
D2/881, 882, 886, 884, 887, 888, 891,
D2/892, 893, 895; D29/104, 109, 122
CPC .. A42B 1/00; A42B 1/004; A42B 1/02; A42B
1/062; A42B 1/063; A42B 1/22; A42B
1/24; A42B 1/248; A42B 3/00; A42B
3/22; A42C 5/00; A42C 5/02; A42C 5/04
See application file for complete search history.

(56) **References Cited**

U.S. PATENT DOCUMENTS

1,190,427	A *	7/1916	Kromer, Jr.	A42B 1/062 2/181
4,249,269	A *	2/1981	Price	A42B 1/062 156/223
4,292,689	A	10/1981	Townsend	
D297,584	S	9/1988	Lenox et al.	
5,275,419	A	1/1994	Kazemi	
5,410,761	A *	5/1995	Connelly	A42B 1/248 2/195.1
D363,157	S	10/1995	Rodgers	

(Continued)

Primary Examiner — Karen S Acker
Assistant Examiner — Jasmine Mlinarcik

(74) *Attorney, Agent, or Firm* — Katten Muchin
Rosenman LLP

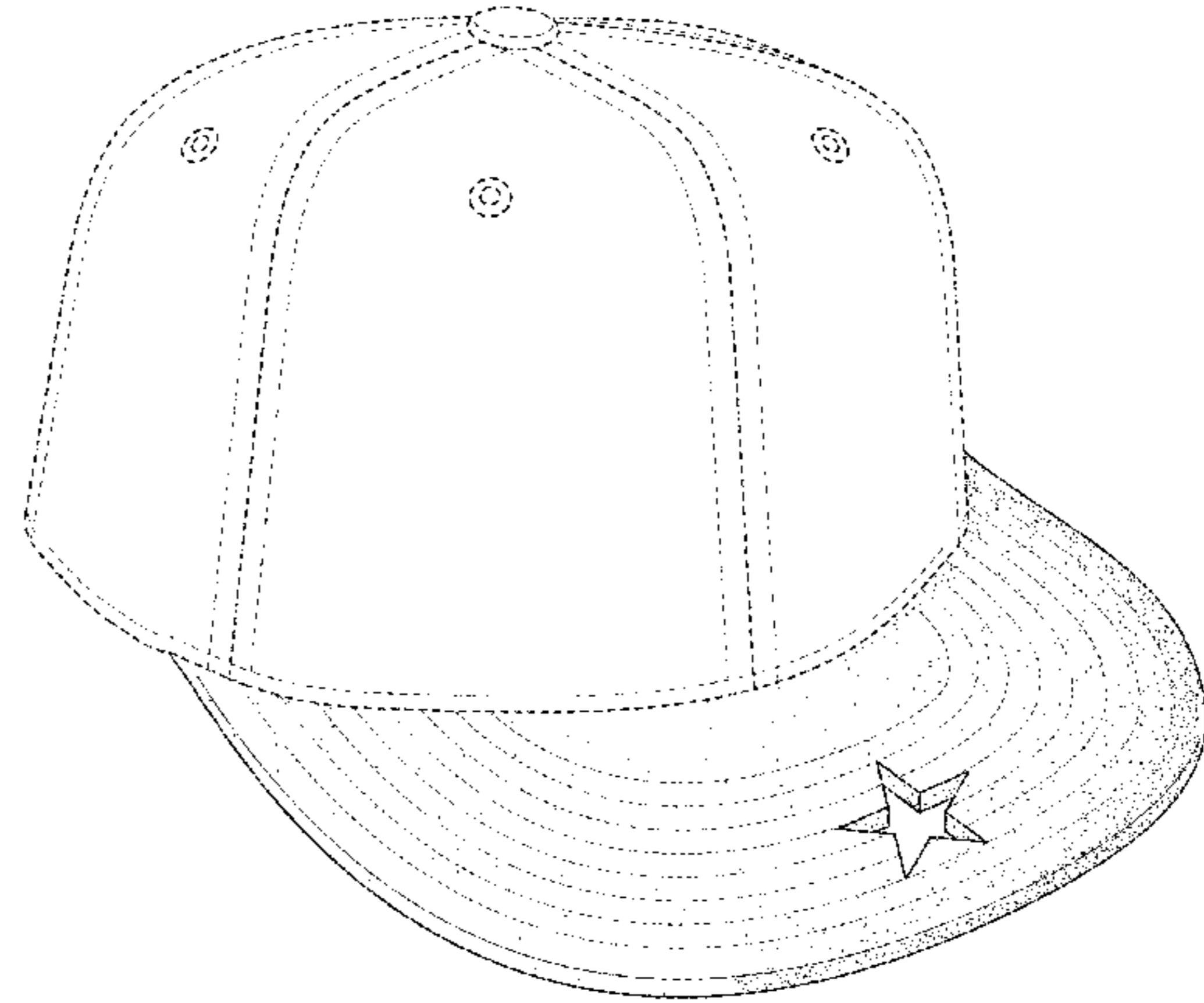
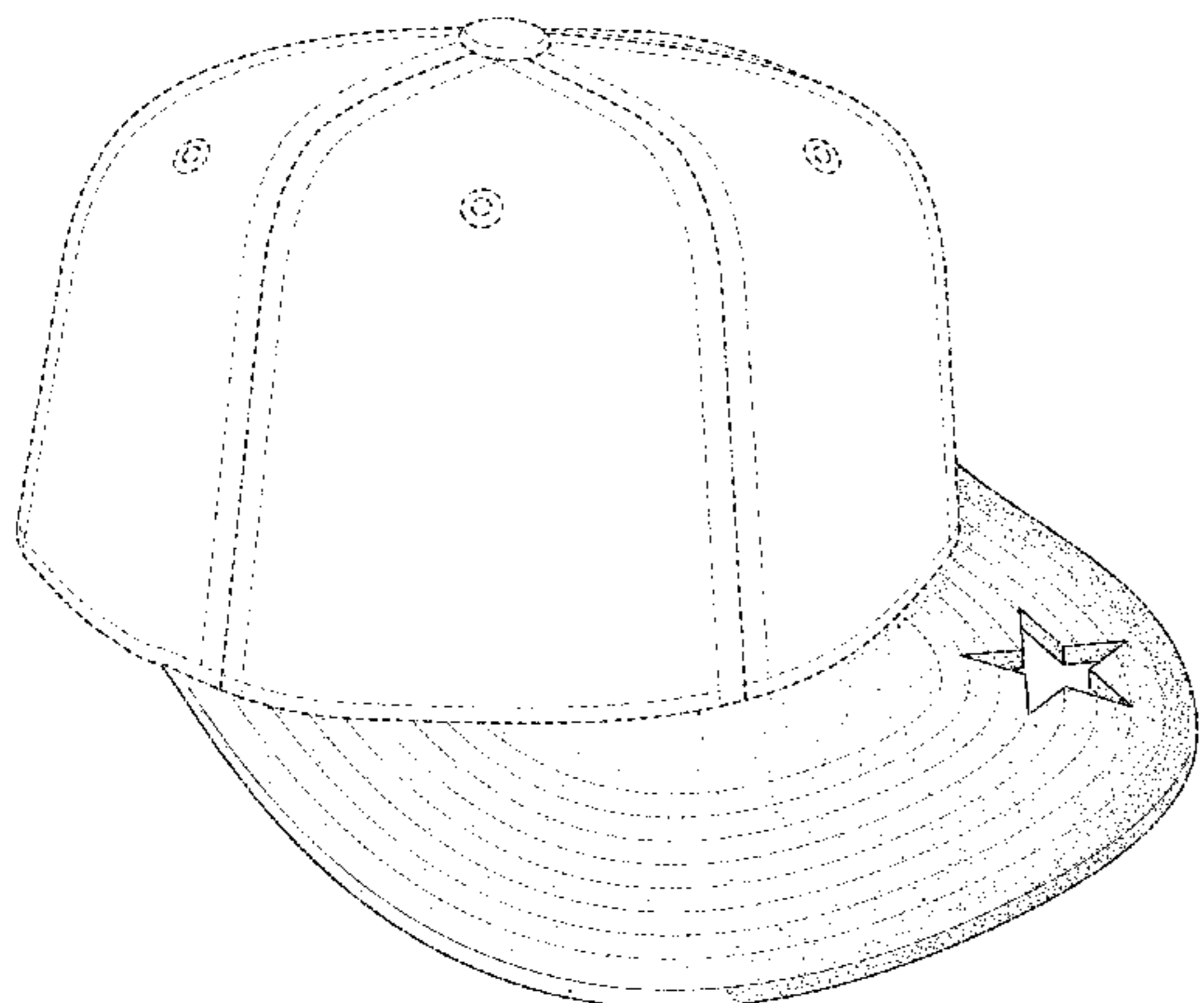
(57) **CLAIM**

The ornamental design for a hat bill, as shown and described.

DESCRIPTION

FIG. 1 is a front perspective view of the first embodiment of a hat bill showing our new design.
 FIG. 2 is a front plan view of the hat bill of FIG. 1.
 FIG. 3 is a rear plan view of the hat bill of FIG. 1.
 FIG. 4 is a left view of the hat bill of FIG. 1.
 FIG. 5 is a right view of the hat bill of FIG. 1.
 FIG. 6 is a top plan view of the hat bill of FIG. 1.
 FIG. 7 is a bottom plan view of the hat bill of FIG. 1.
 FIG. 8 is a front perspective view of a second embodiment of the hat bill showing our new design.
 FIG. 9 is a front plan view of the hat bill of FIG. 8.
 FIG. 10 is a rear plan view of the hat bill of FIG. 8.
 FIG. 11 is a left plan view of the hat bill of FIG. 8.
 FIG. 12 is a right plan view of the hat bill of FIG. 8.
 FIG. 13 is a top plan view of the hat bill of FIG. 8.
 FIG. 14 is a bottom plan view of the hat bill of FIG. 8.
 FIG. 15 is a front perspective view of a third embodiment of the hat bill showing our new design.
 FIG. 16 is a front plan view of the hat bill of FIG. 15.
 FIG. 17 is a rear plan view of the hat bill of FIG. 15.
 FIG. 18 is a left plan view of the hat bill of FIG. 15.
 FIG. 19 is a right plan view of the hat bill of FIG. 15.
 FIG. 20 is a top plan view of the hat bill of FIG. 15; and,
 FIG. 21 is a bottom plan view of the hat bill of FIG. 15.
 The broken lines shown on the hat bill in FIGS. 1-21 are stitching and form no part of the claimed design. The broken lines forming the crown of the hat coupled to the hat bill are included for purposes of illustrating environment and form no part of the claimed design.

1 Claim, 21 Drawing Sheets



(56)

References Cited

U.S. PATENT DOCUMENTS

D366,558 S	1/1996	Galper et al.	
D372,353 S	8/1996	Pfeifferman	
D384,793 S	10/1997	Brown	
5,729,833 A *	3/1998	Judge	A42B 1/004 2/195.1
D394,136 S	5/1998	Richlin	
6,158,053 A *	12/2000	Wang	A42B 1/004 2/175.1
D440,382 S	4/2001	Scheinbaum	
D491,716 S	6/2004	Kusakabe	
D501,705 S	2/2005	Hathaway	
6,986,166 B2 *	1/2006	Cho	A42B 1/062 2/195.5
D521,211 S	5/2006	Park	
D530,061 S	10/2006	Alvarez-Calderon	
D540,011 S	4/2007	Mazzera	
D550,931 S	9/2007	Valeourt	
7,454,799 B2 *	11/2008	Wuensche	A42B 1/225 2/171
D583,536 S *	12/2008	Glennie	D2/893
D592,835 S	5/2009	Wilson	
D601,329 S	10/2009	Johns	
D607,608 S *	1/2010	Taylor	D29/109
D617,981 S	6/2010	Umeda	
D630,824 S	1/2011	Thomas	
D635,743 S *	4/2011	Johnson	D2/882
D654,252 S	2/2012	Denny	
D661,470 S	6/2012	Baron et al.	
D661,873 S	6/2012	Muniz et al.	
D713,622 S	9/2014	Steel	
D728,203 S	5/2015	Bono et al.	
D730,629 S	6/2015	Sigle	
D742,101 S	11/2015	Carpenter	
D749,303 S	2/2016	York	
D759,352 S	6/2016	Palmer	
D781,534 S	3/2017	Maher, III	
2004/0123376 A1 *	7/2004	Wang	A42B 1/063 2/171.1
2013/0117906 A1 *	5/2013	Ponting	A42B 1/063 2/195.6
2017/0156432 A1 *	6/2017	Gratacos, Jr.	A42B 1/18

* cited by examiner

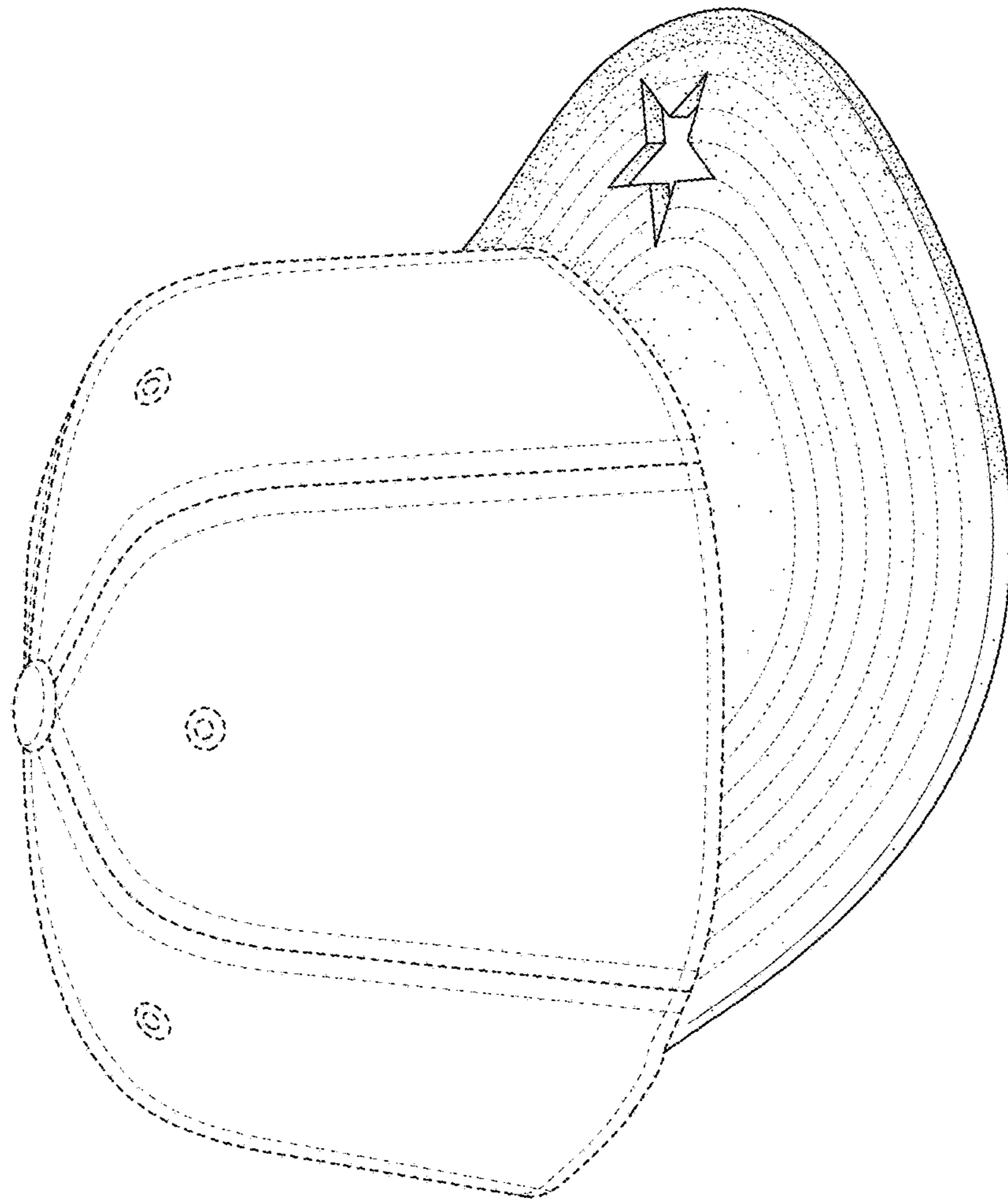


FIG. 1

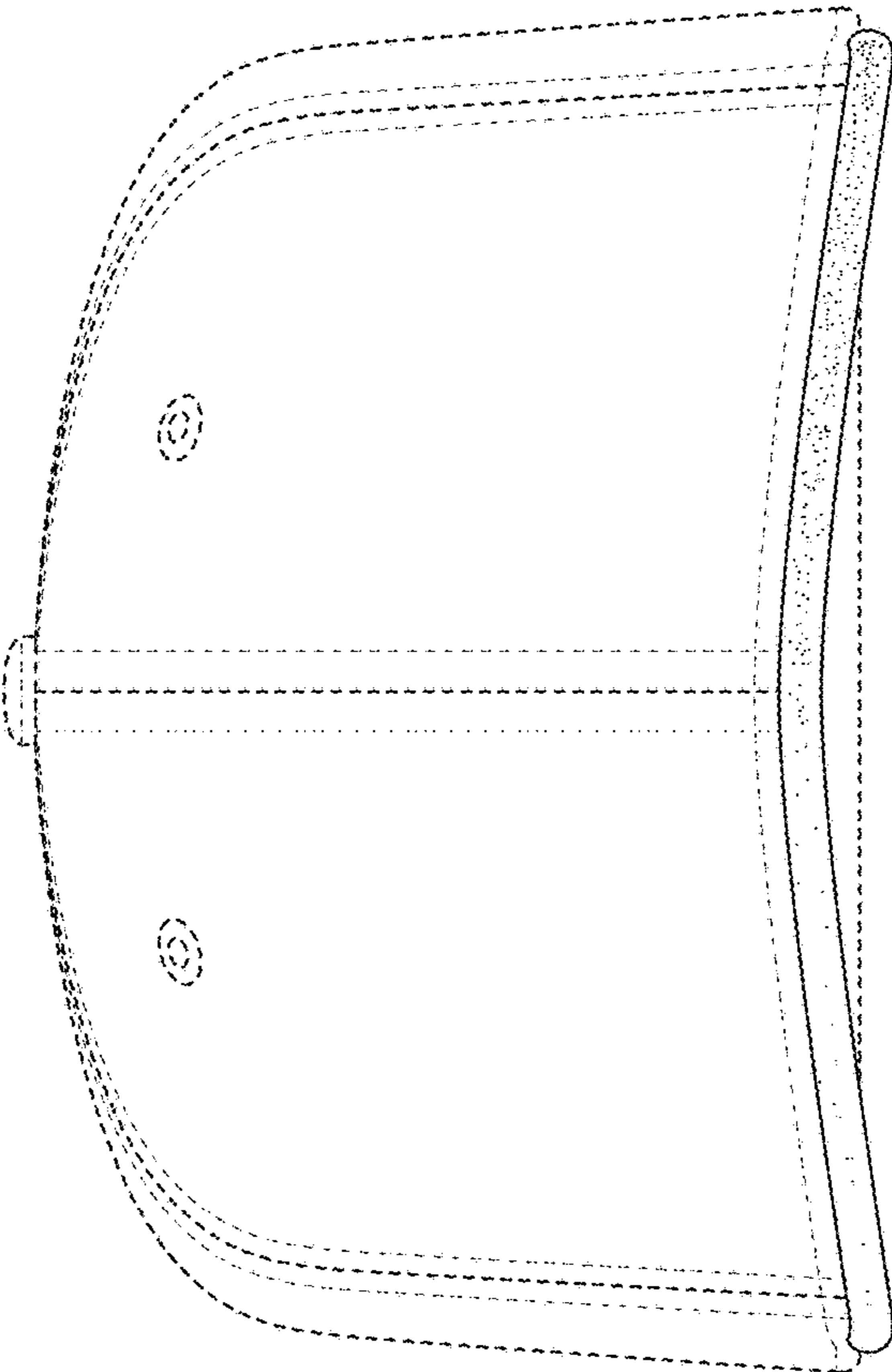


FIG. 2

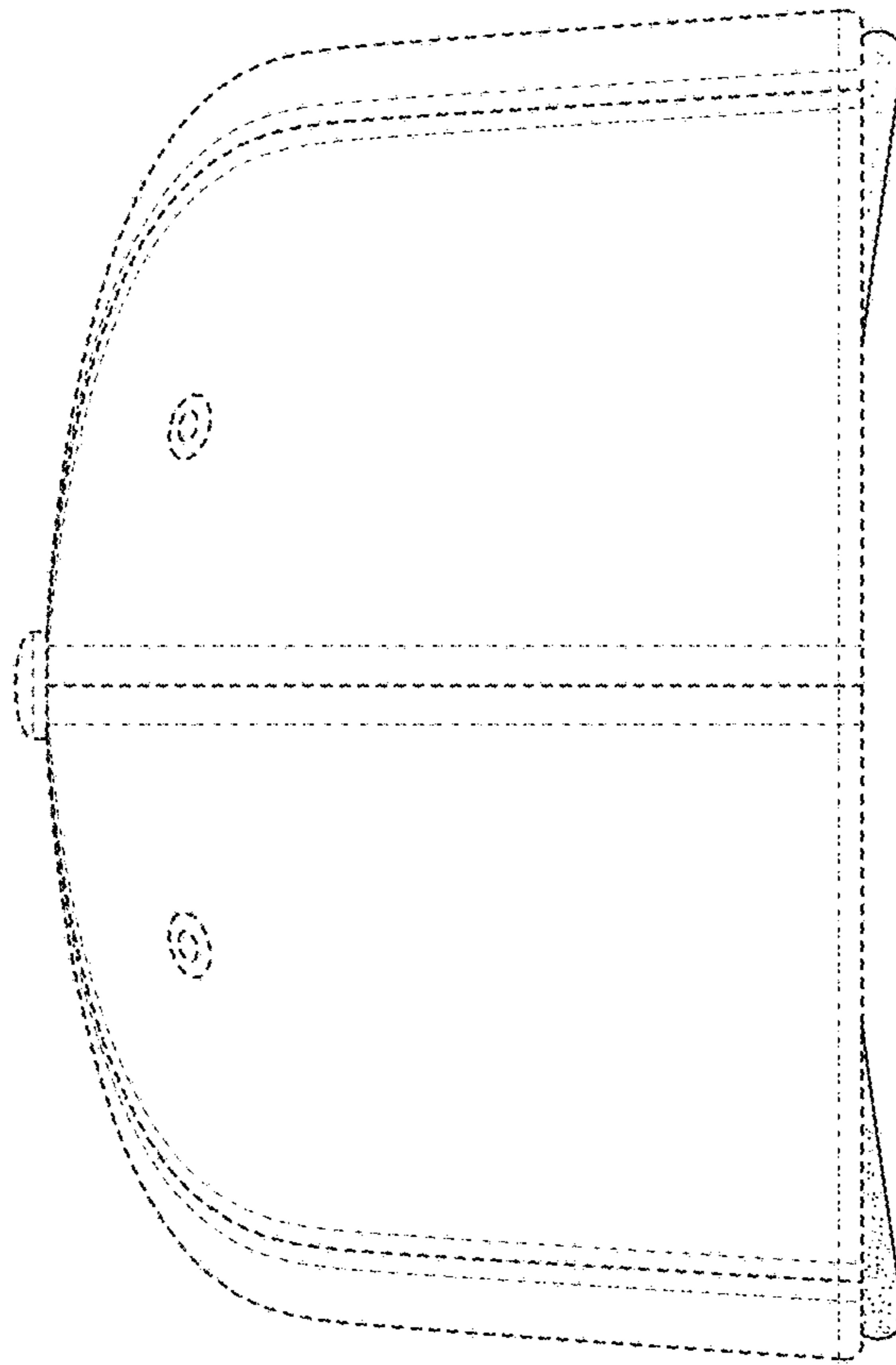


FIG. 3

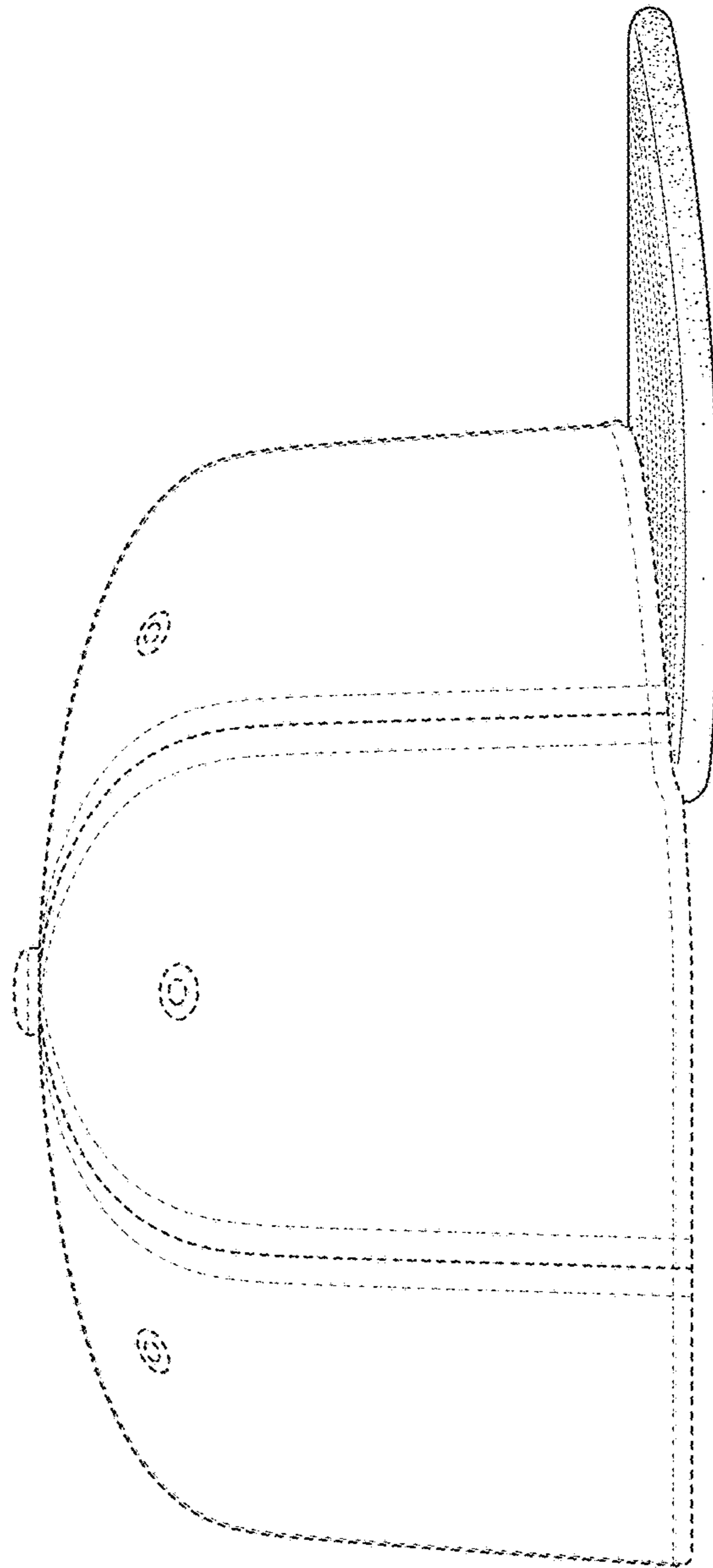


FIG. 4

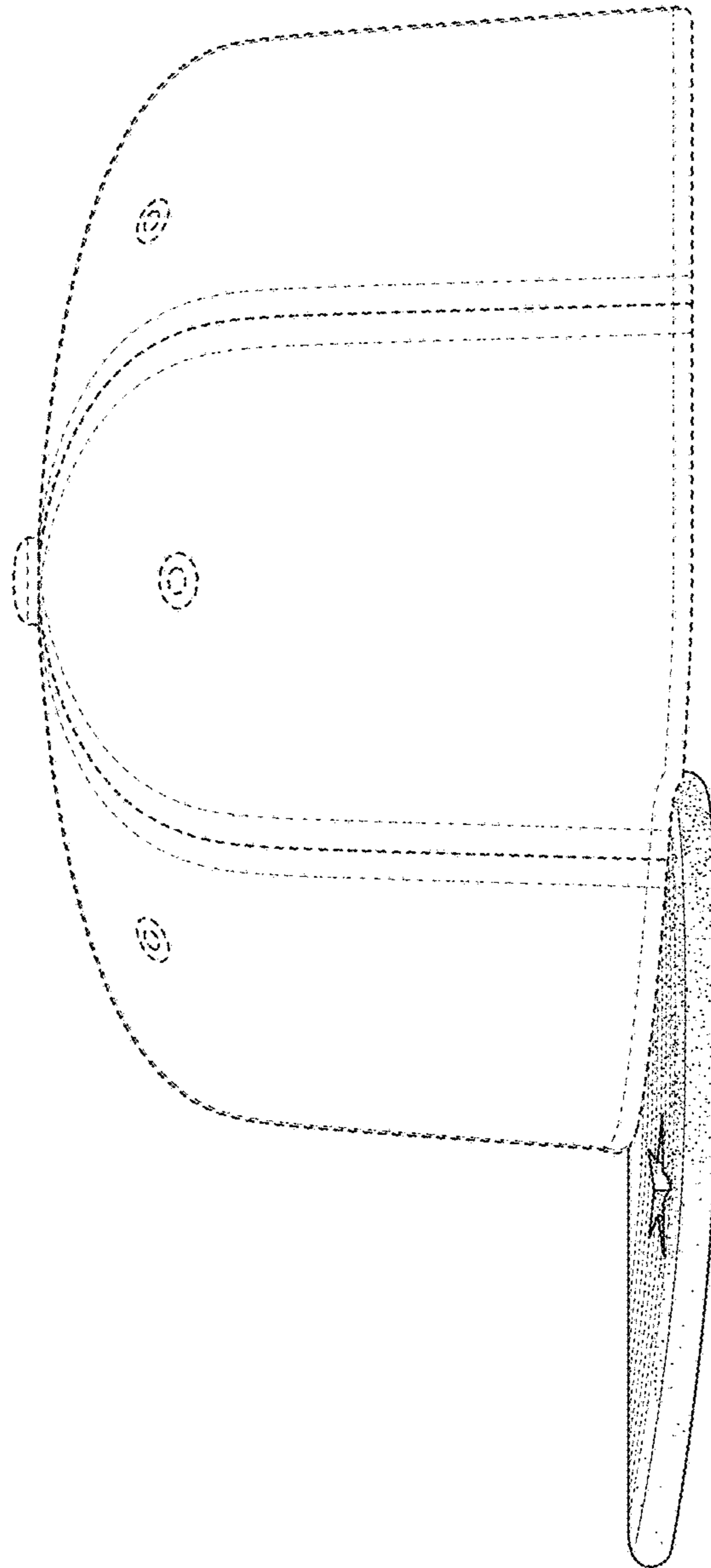


FIG. 5

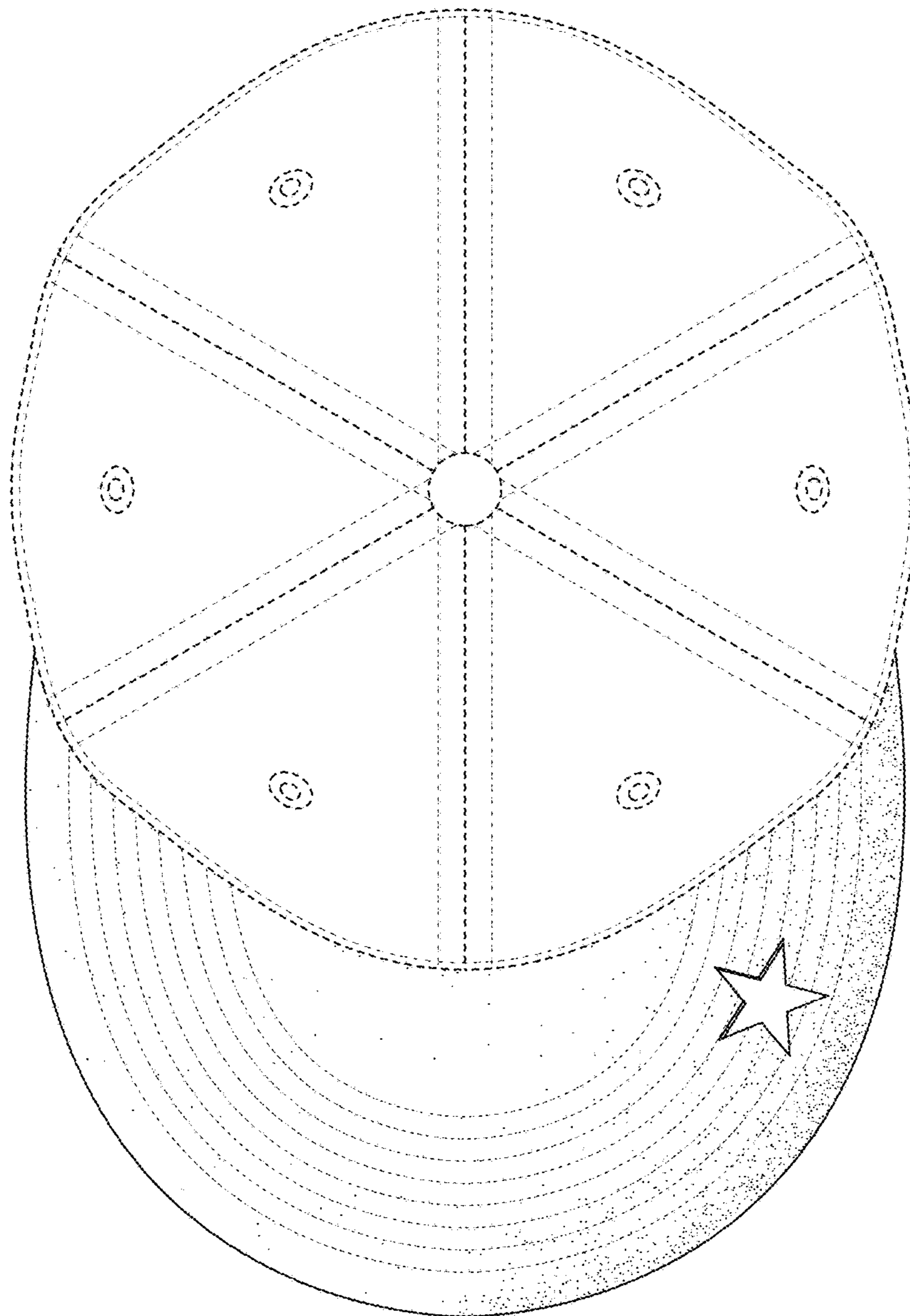


FIG. 6

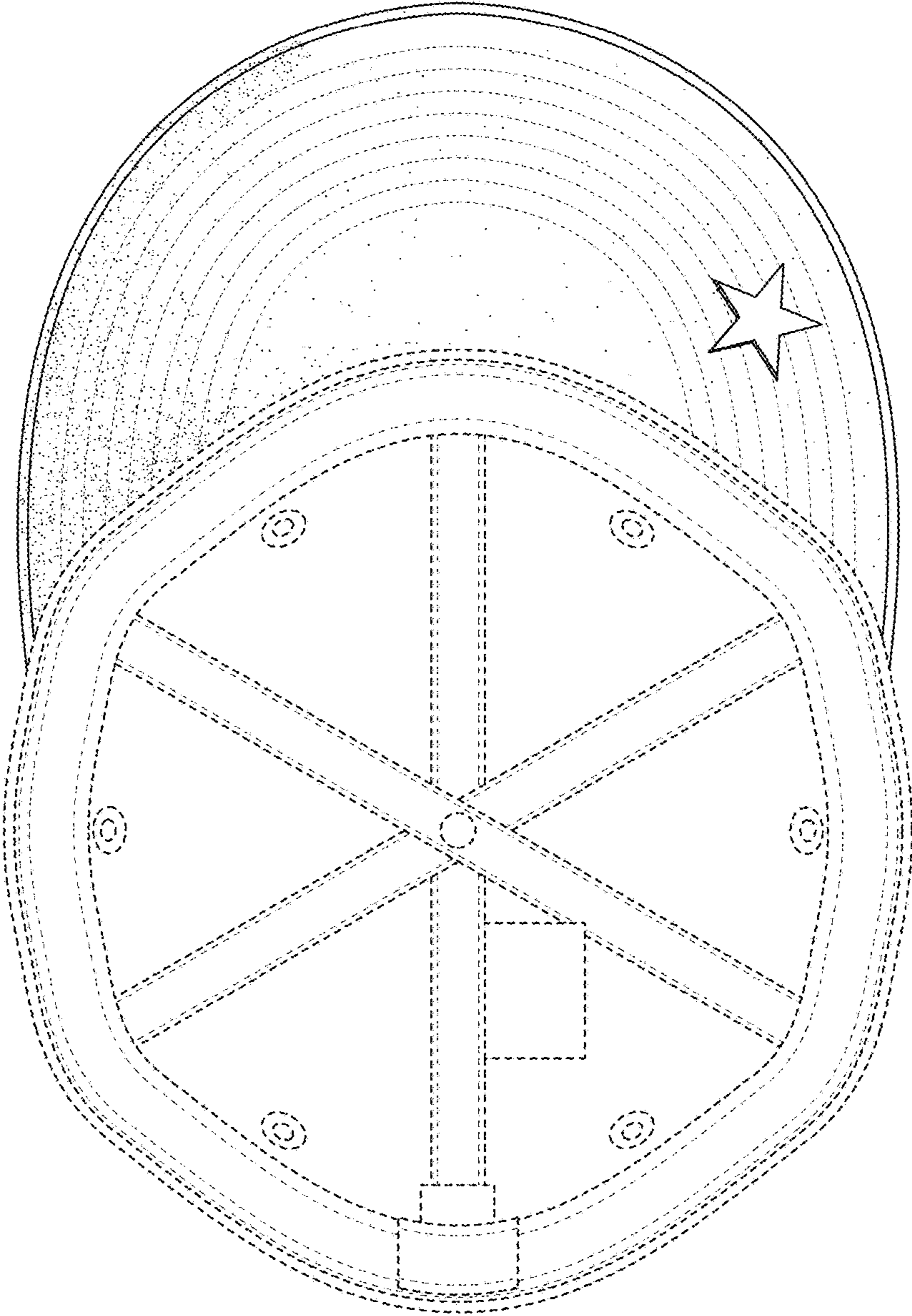


FIG. 7

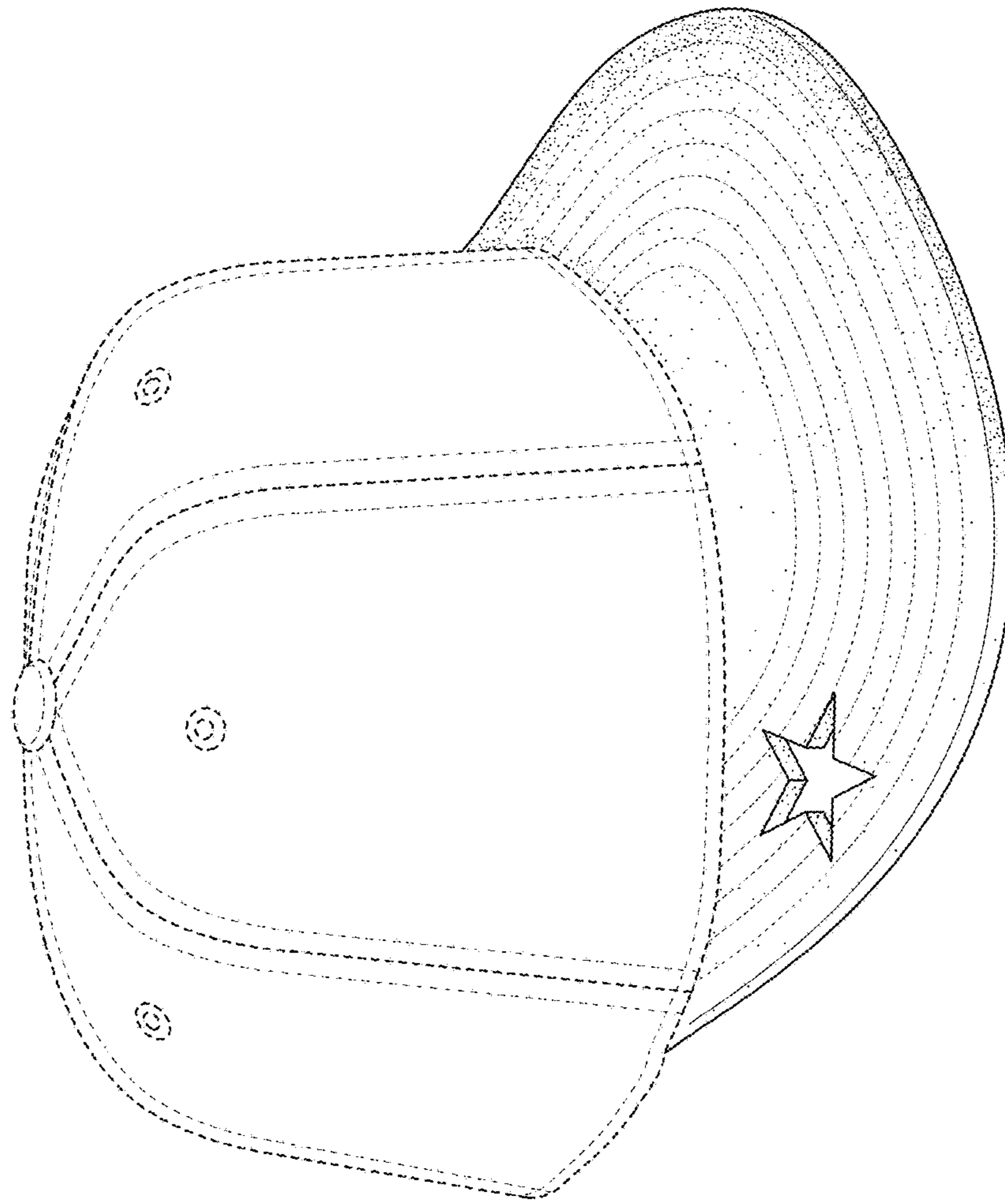


FIG. 8

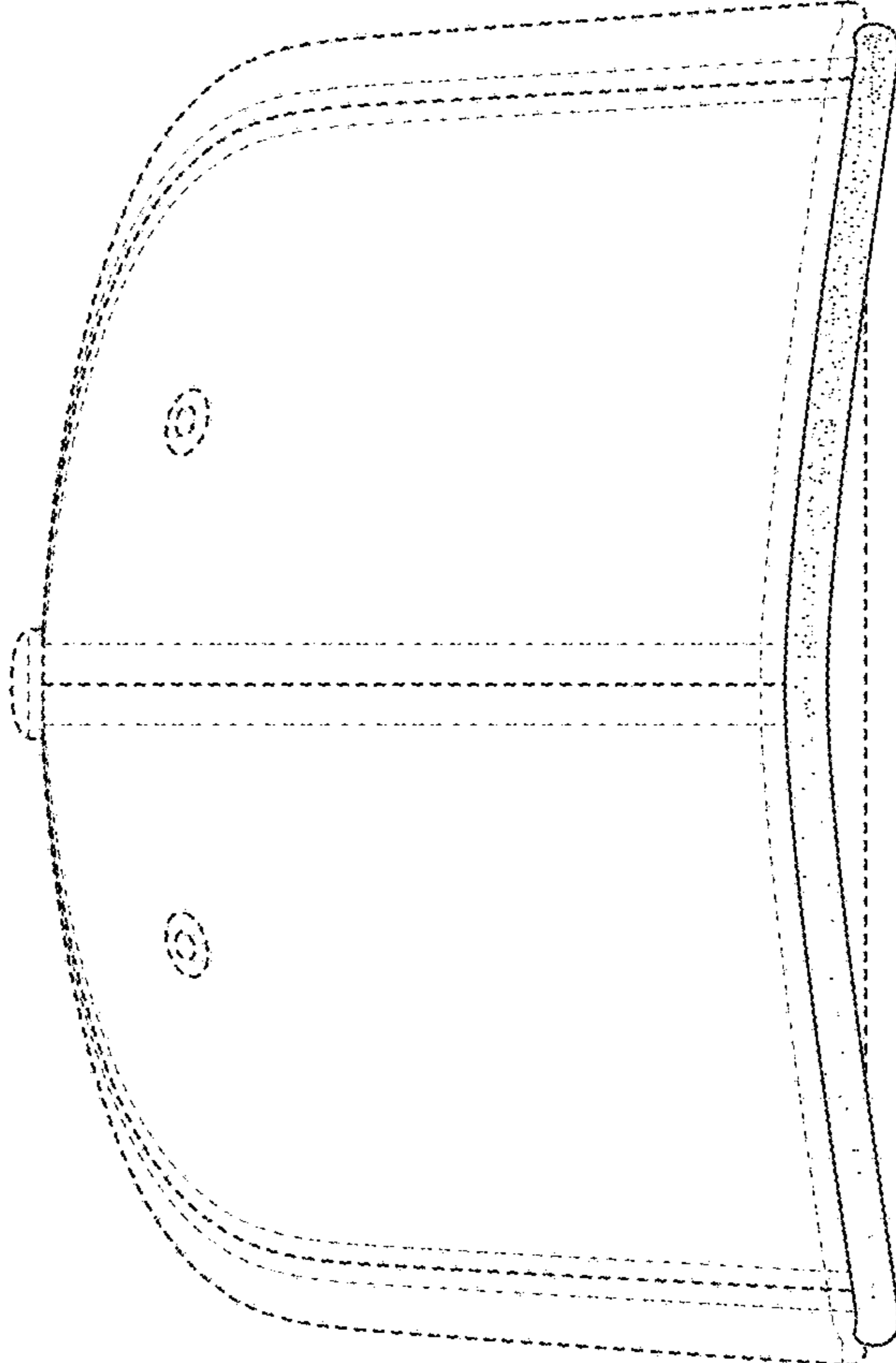


FIG. 9

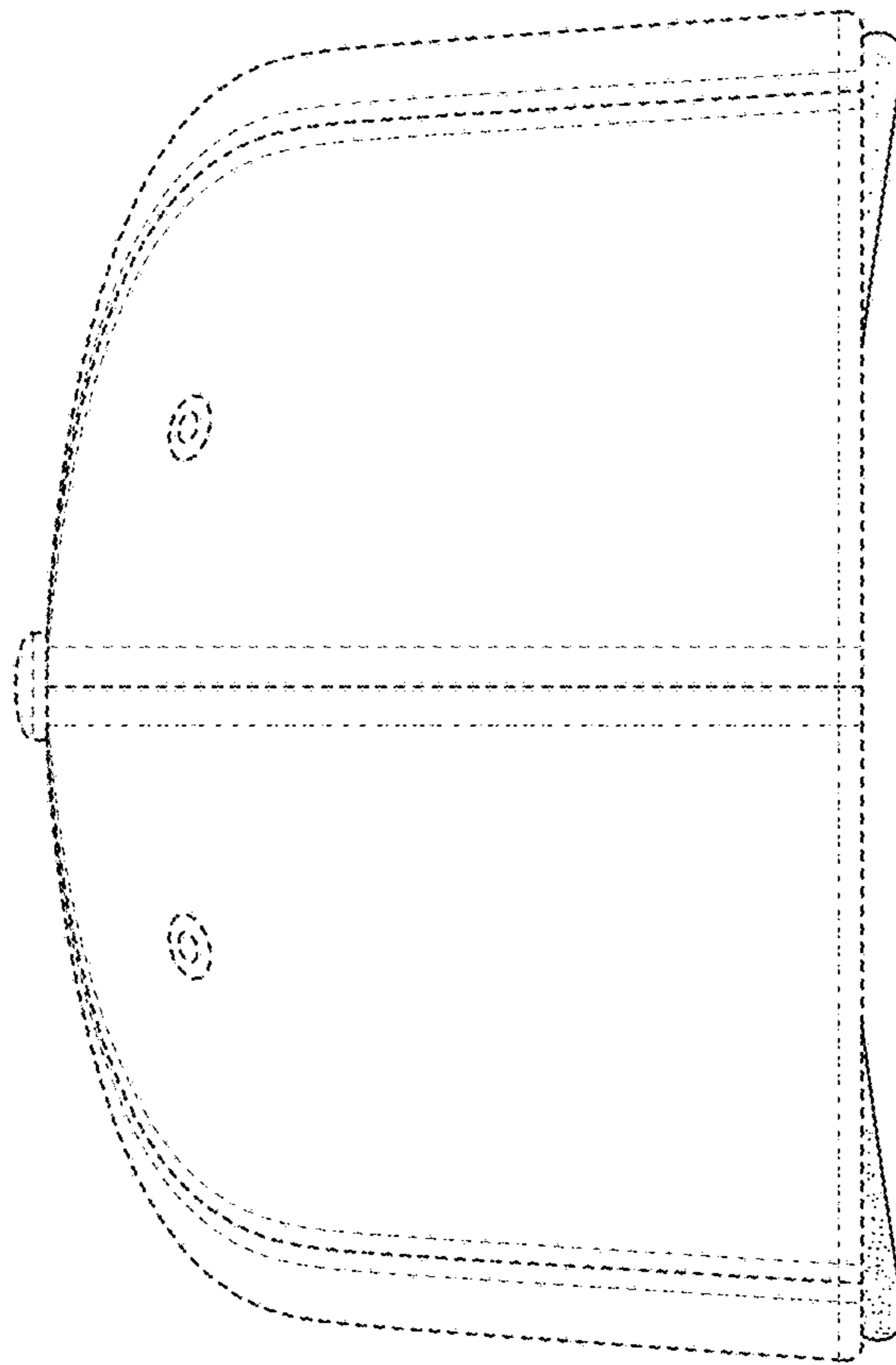


FIG. 10

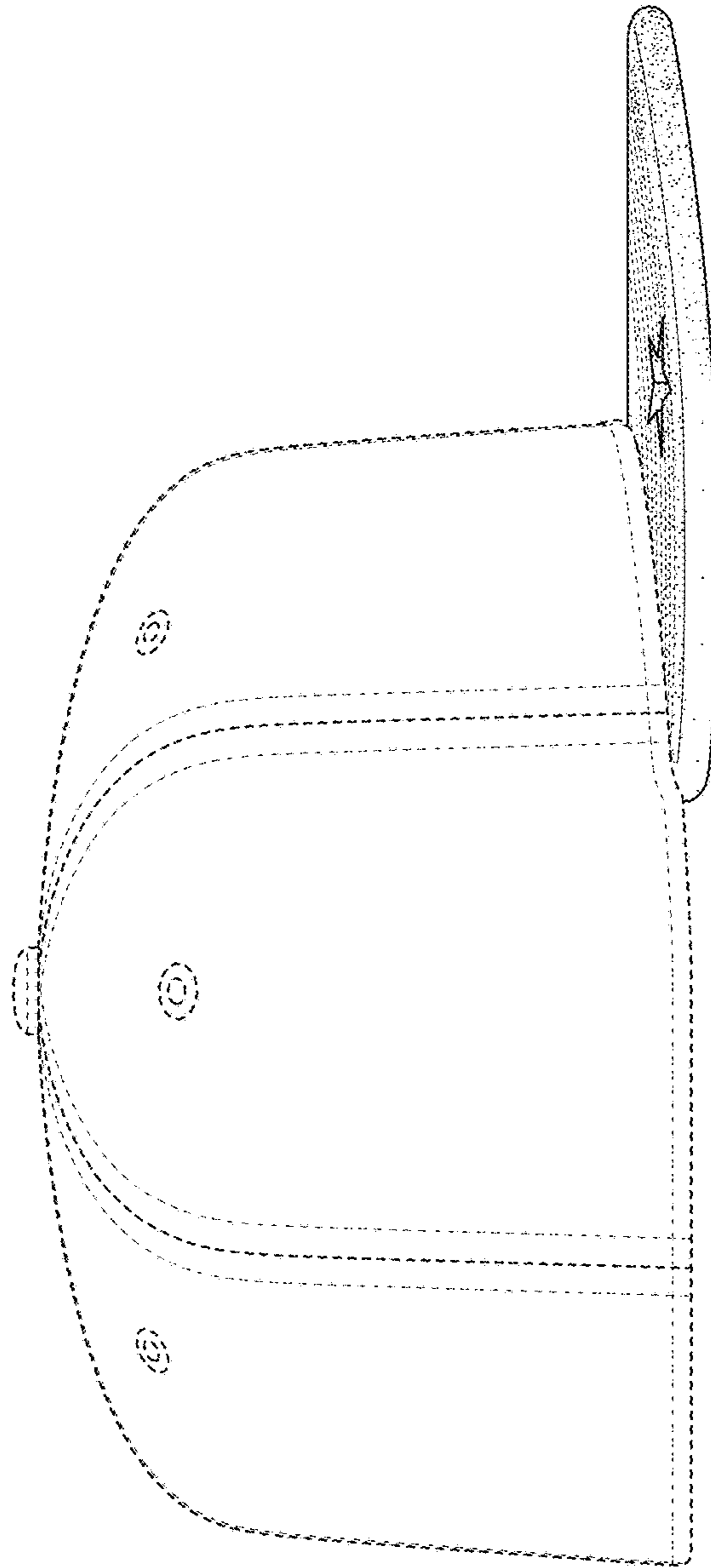


FIG. 11

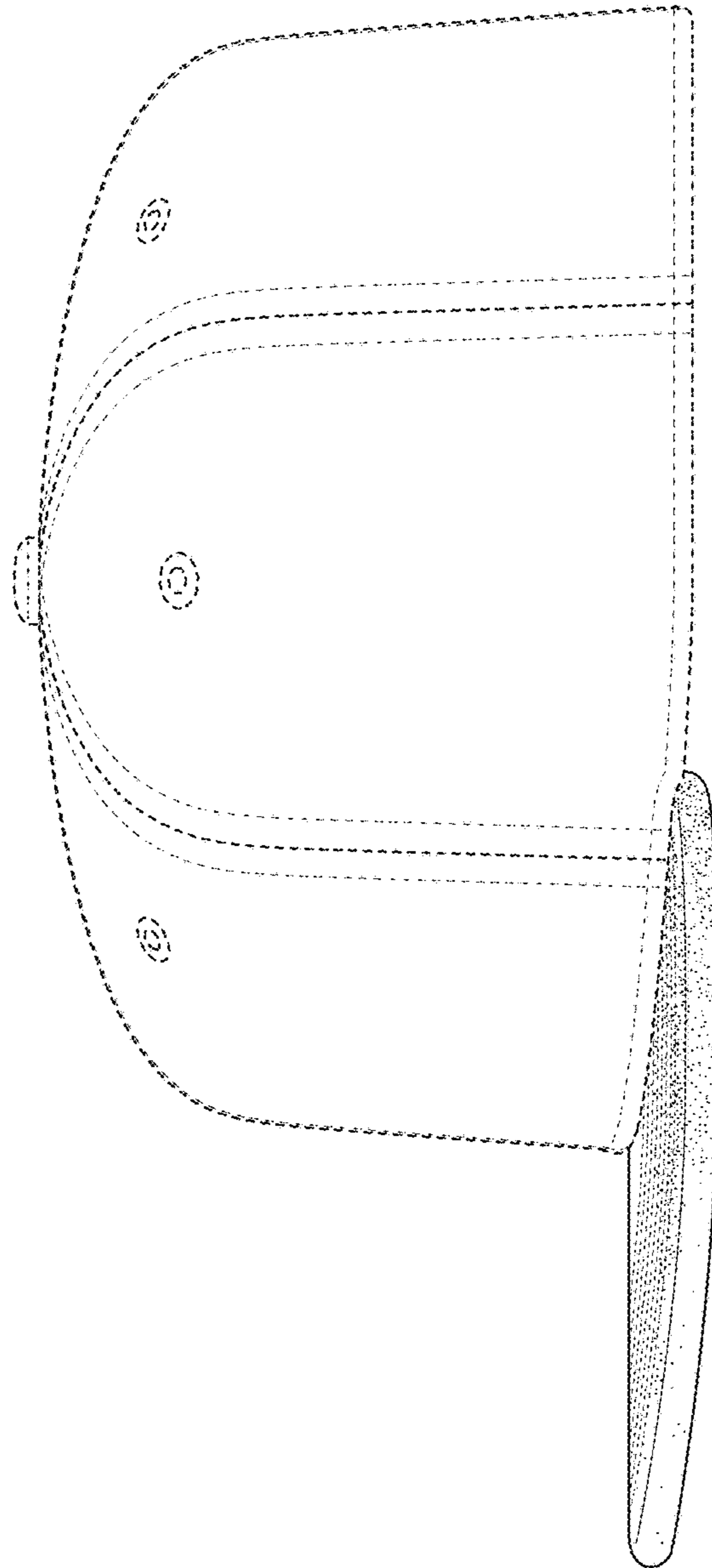


FIG. 12

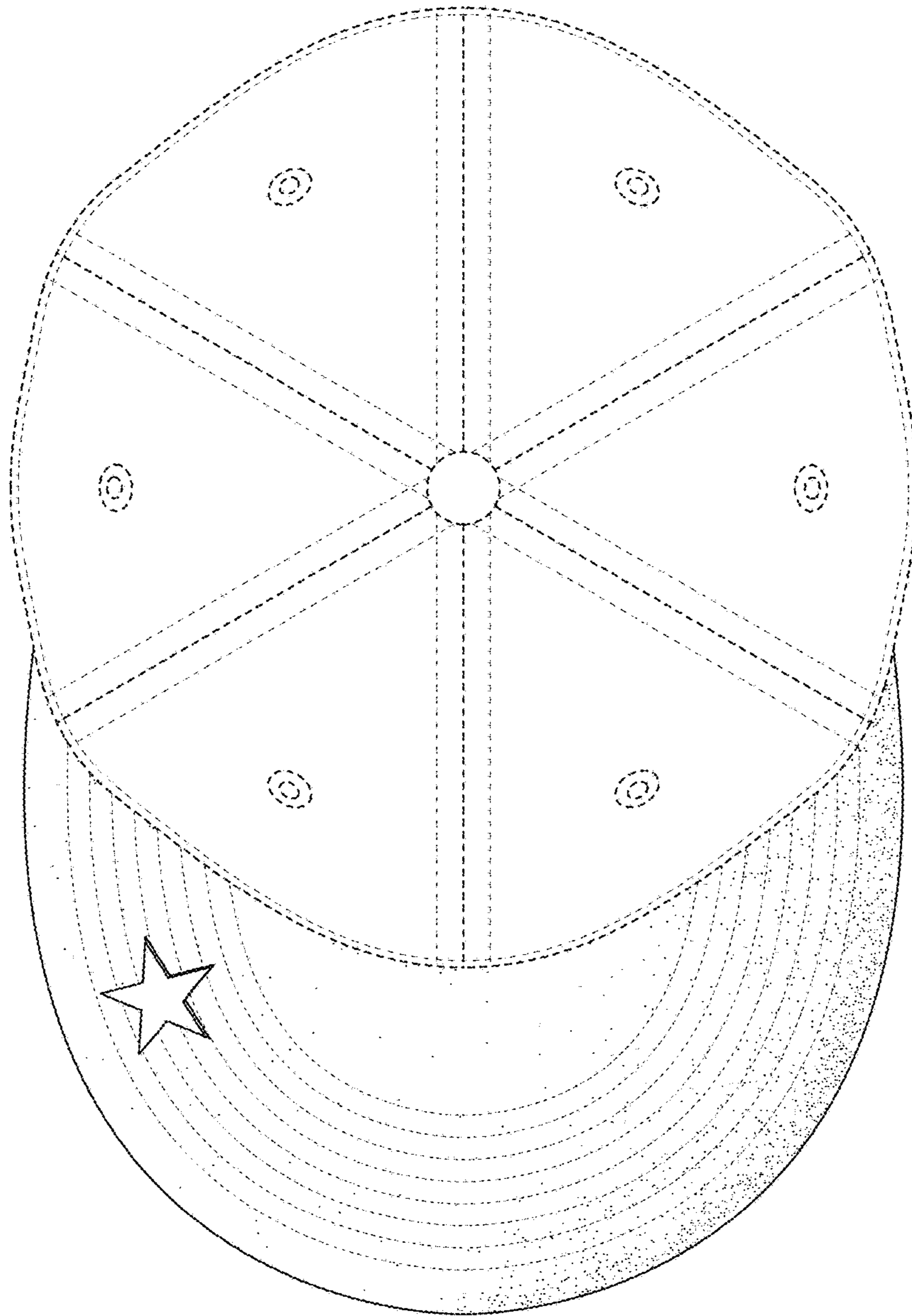


FIG. 13

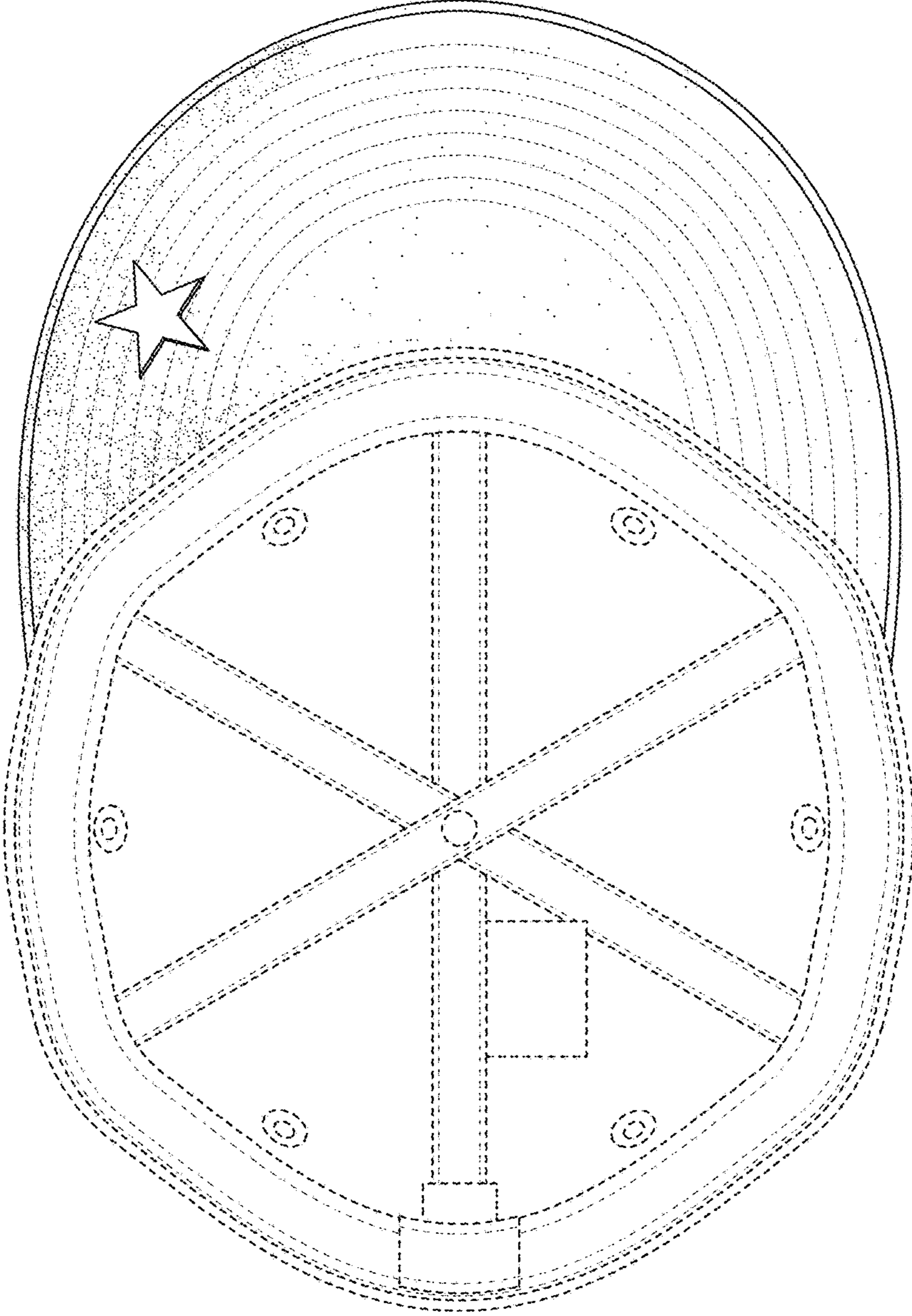


FIG. 14

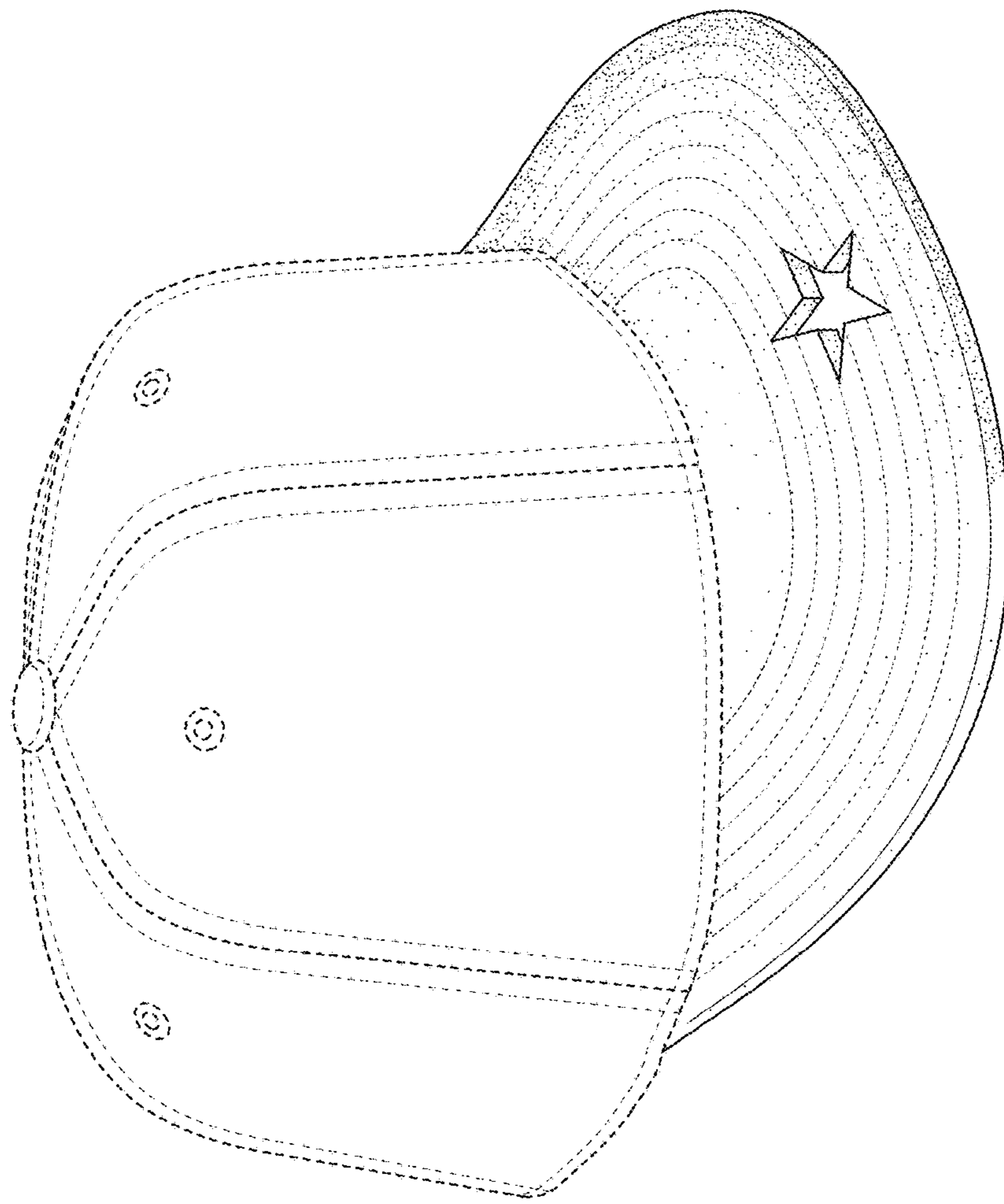


FIG. 15

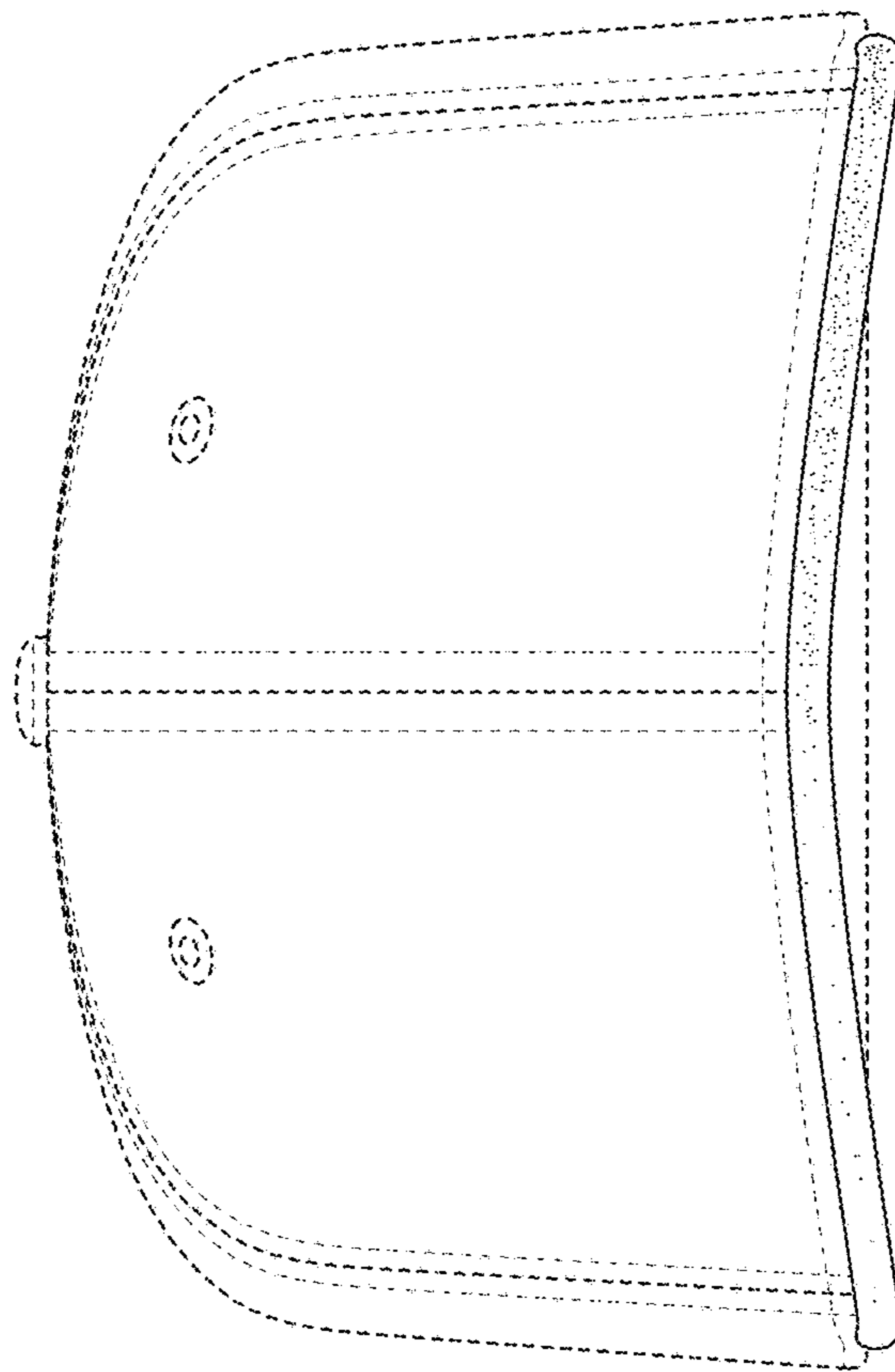


FIG. 16

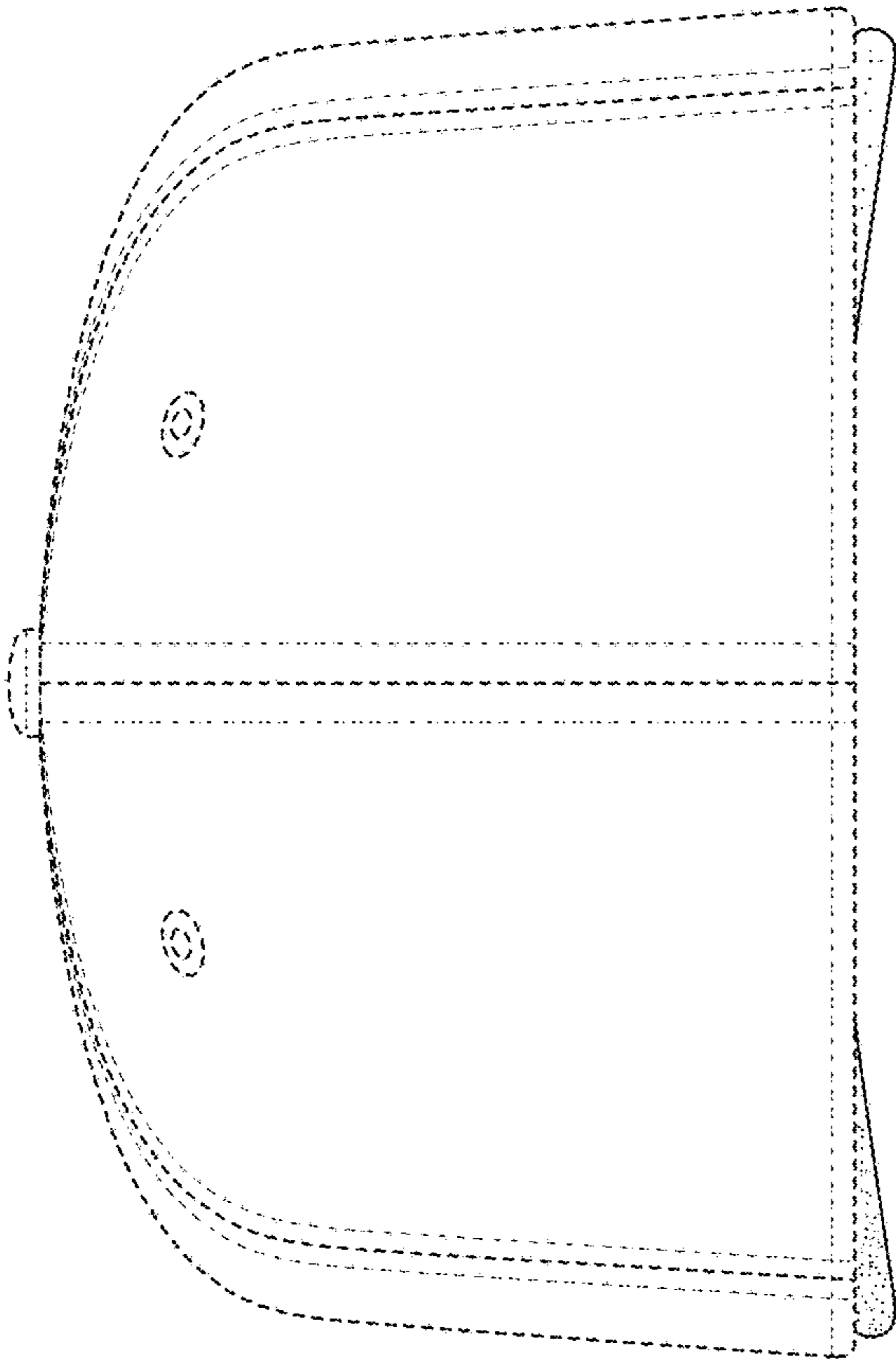


FIG. 17

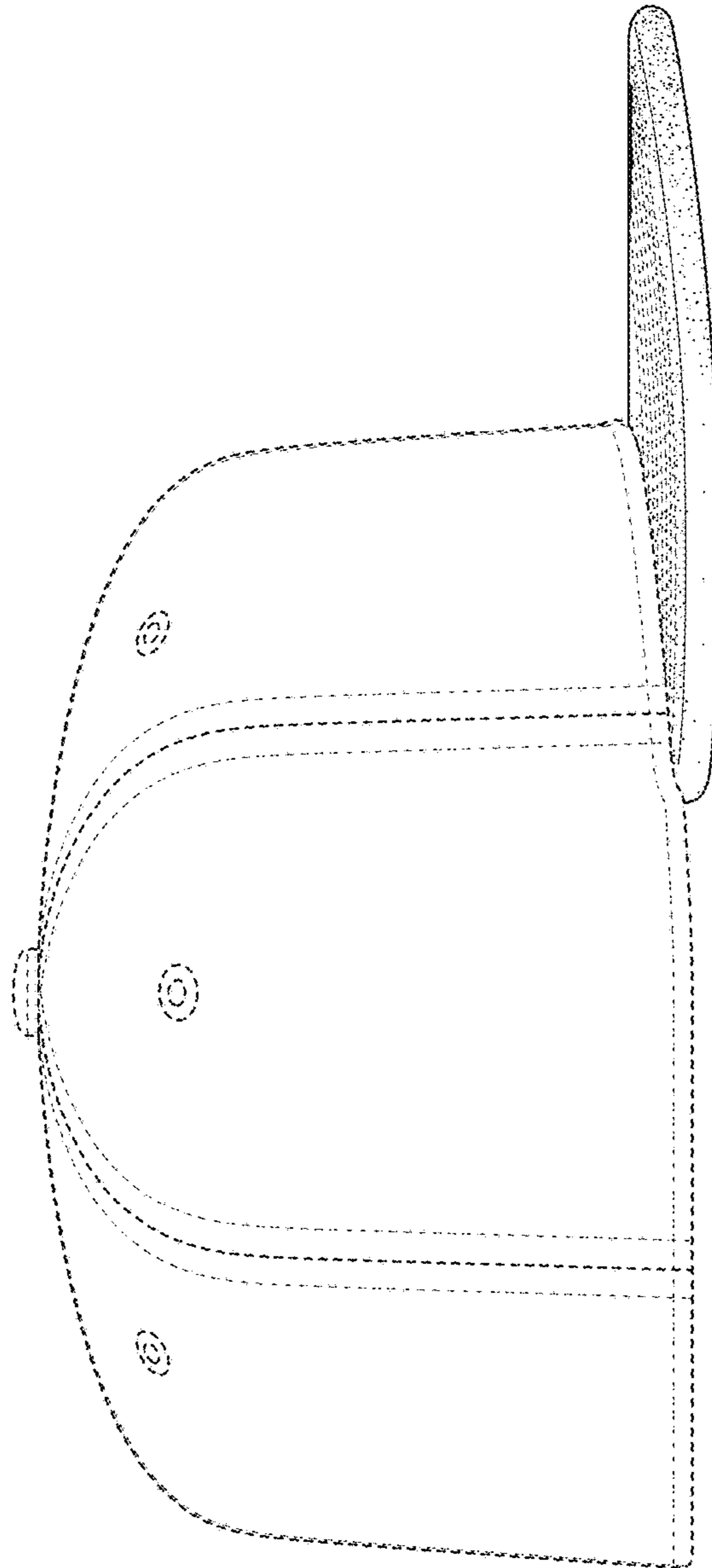


FIG. 18

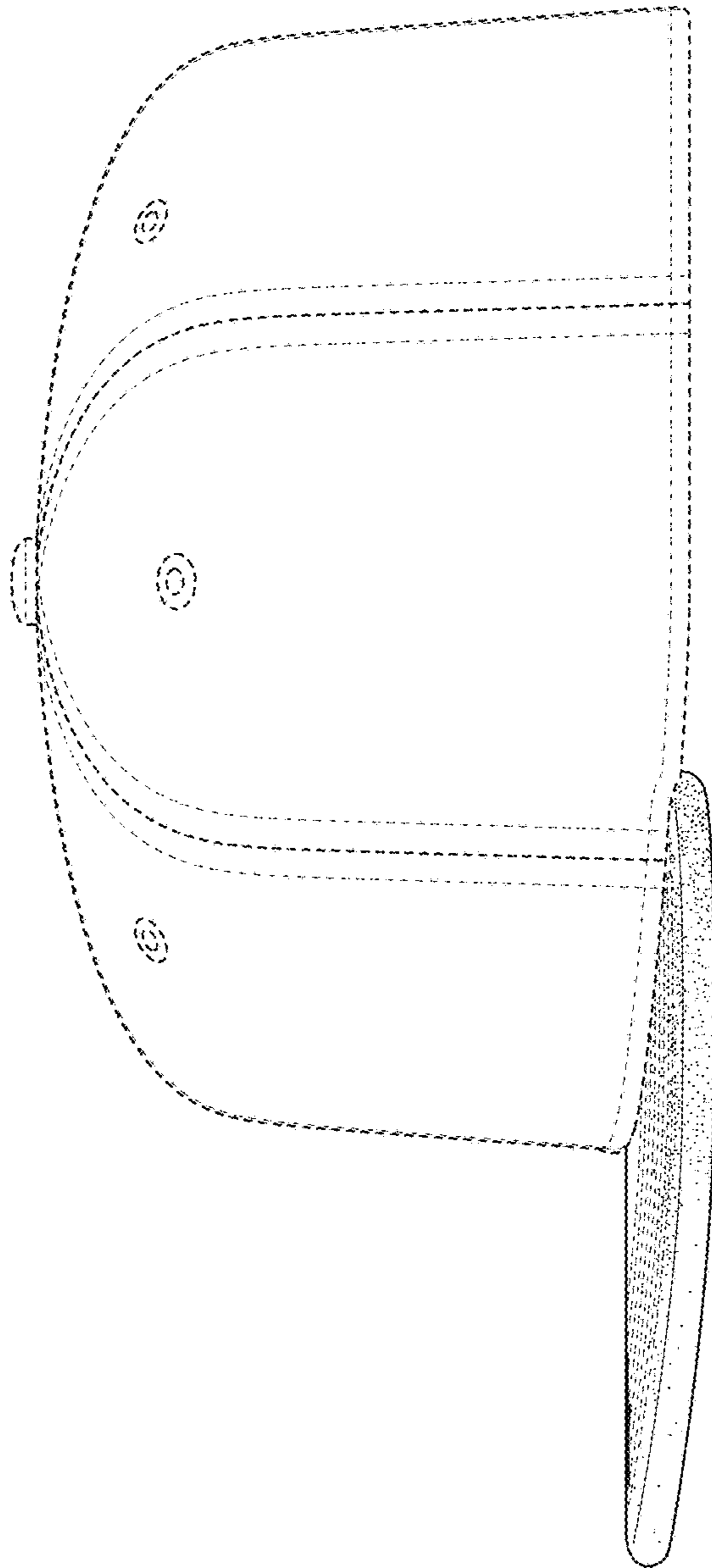


FIG. 19

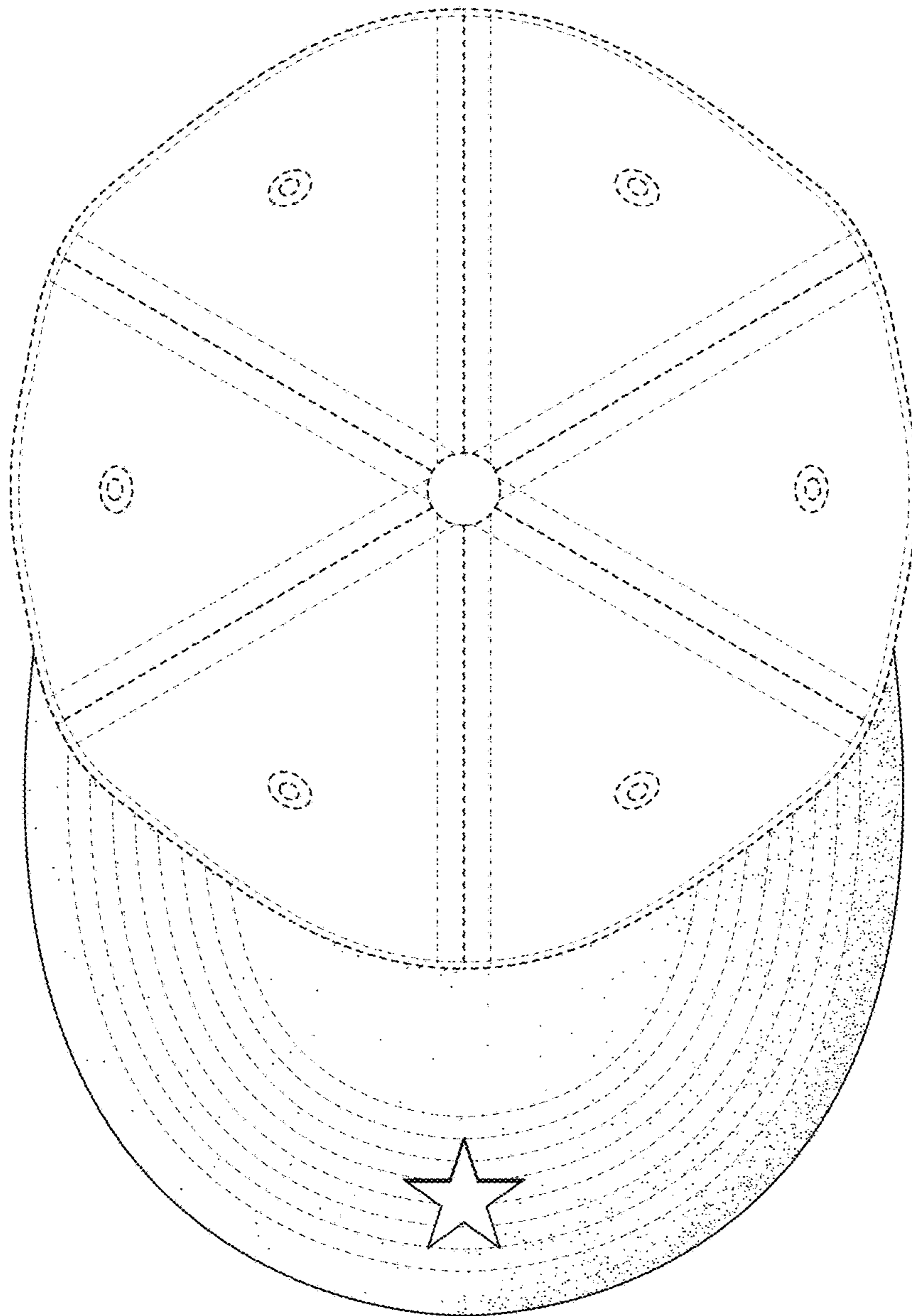


FIG. 20

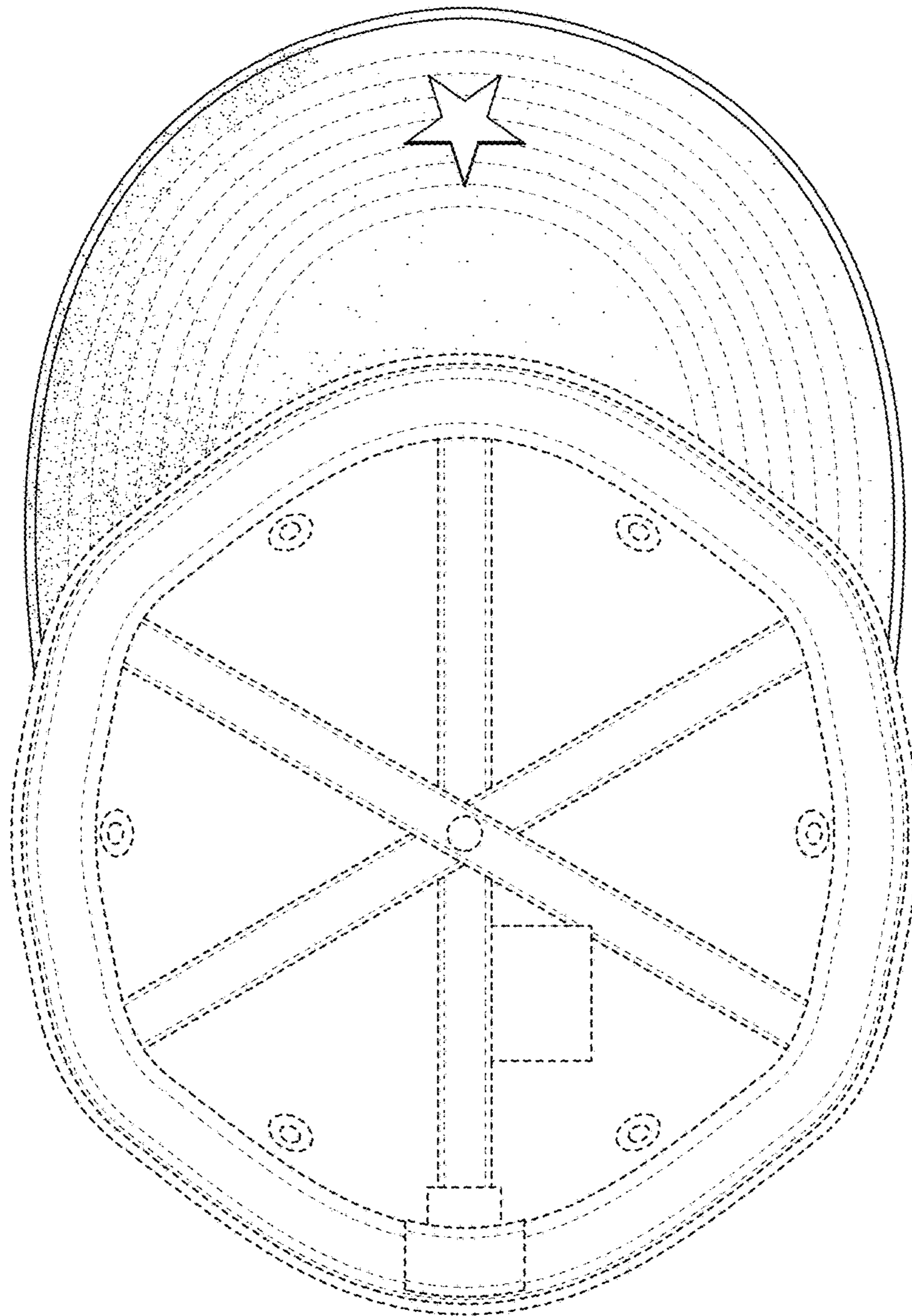


FIG. 21