



US00D849363S

(12) **United States Design Patent** (10) **Patent No.:** **US D849,363 S**
Edmonds (45) **Date of Patent:** **** May 28, 2019**

(54) **BREAKAWAY PAJAMAS**
(71) Applicant: **Sabrina L. Edmonds**, Portsmouth, VA (US)
(72) Inventor: **Sabrina L. Edmonds**, Portsmouth, VA (US)
(**) Term: **15 Years**
(21) Appl. No.: **29/620,859**
(22) Filed: **Jul. 26, 2017**
(51) **LOC (11) Cl.** **02-01**
(52) **U.S. Cl.**
USPC **D2/718**
(58) **Field of Classification Search**
USPC D2/718, 712, 713, 700, 731, 738, 742, D2/739, 728
CPC A41D 1/06; A41D 10/00; A41D 13/1254; A41D 13/1236; A41D 13/1245; A41D 13/12; A41D 13/129
See application file for complete search history.

D341,694 S * 11/1993 Jackson D2/712
5,315,716 A * 5/1994 Baum A41D 1/06
2/114
5,359,731 A * 11/1994 Cavalier A41D 1/06
2/227
D377,557 S * 1/1997 Jagger D2/738
6,611,964 B2 * 9/2003 Lipsett A41D 1/06
2/227
D575,028 S * 8/2008 Patton D2/742
D608,528 S * 1/2010 Tonetti-Spellman D2/742
D613,038 S * 4/2010 Viola D2/742
D625,489 S * 10/2010 Rollins D2/742
7,832,022 B1 * 11/2010 Peters A41D 27/28
2/227
D630,415 S * 1/2011 Nunn D2/742
D668,840 S * 10/2012 McCray D2/738
8,464,365 B1 * 6/2013 Nunn A41D 1/08
2/227
D731,752 S * 6/2015 Roberts D2/742

(Continued)

Primary Examiner — Michelle E. Wilson
Assistant Examiner — Clese Moore, Jr.
(74) *Attorney, Agent, or Firm* — Paul R. Martin

(57) **CLAIM**

The ornamental design for breakaway pajamas, as shown and described.

(56) **References Cited**

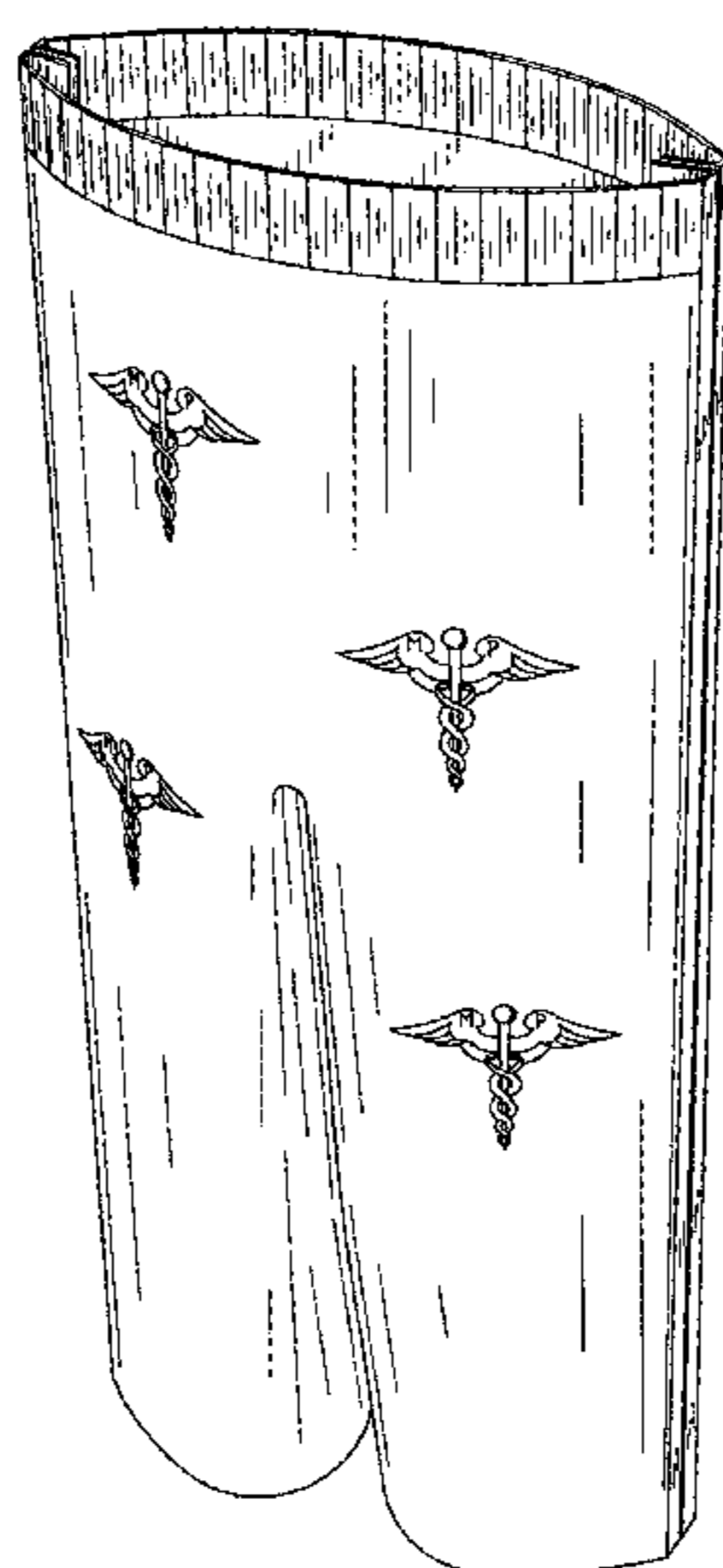
U.S. PATENT DOCUMENTS

D125,346 S * 2/1941 Myron D2/712
D130,680 S * 12/1941 Terry D2/712
D231,155 S * 4/1974 Bowcut 2/227
3,800,330 A * 4/1974 Bowcut A41D 1/08
2/227
3,823,419 A * 7/1974 Breitbart A41D 1/06
2/227
4,638,509 A * 1/1987 Charron A41D 1/08
2/2.15
D292,740 S * 11/1987 Viola D2/742
4,914,756 A * 4/1990 Grassick A41D 1/06
2/227
5,008,962 A * 4/1991 Smith A41D 1/06
2/227
D337,194 S * 7/1993 Marks D2/738

DESCRIPTION

FIG. 1 is perspective view of the breakaway pajamas of my new design.
FIG. 2 is a another perspective view showing the separated parts of the breakaway pajamas of my new design.
FIG. 3 is a front elevational view thereof.
FIG. 4 is a back elevational view thereof.
FIG. 5 is a right side elevational view thereof.
FIG. 6 is a left side elevational view thereof.
FIG. 7 is a bottom plan view thereof; and,
FIG. 8 is a top plan view thereof.

1 Claim, 7 Drawing Sheets



(56)

References Cited

U.S. PATENT DOCUMENTS

D731,754 S *	6/2015	Graham	D2/720
D739,120 S *	9/2015	Young	D2/739
D746,544 S *	1/2016	Curran	D2/738
D767,252 S *	9/2016	Antons	D2/720
D767,253 S *	9/2016	Main	D2/742
D774,279 S *	12/2016	Hawkins	D2/731
D793,029 S *	8/2017	Dickson	D2/712
D802,254 S *	11/2017	Morrison	D2/720
D802,258 S *	11/2017	Lomax	D2/742
D810,400 S *	2/2018	Marion	D2/742
D834,284 S *	11/2018	Picot	D2/742
2012/0317700 A1 *	12/2012	Vanderburgh	A41D 1/06 2/237
2015/0245676 A1 *	9/2015	Carryl	A41D 13/129 2/69

* cited by examiner

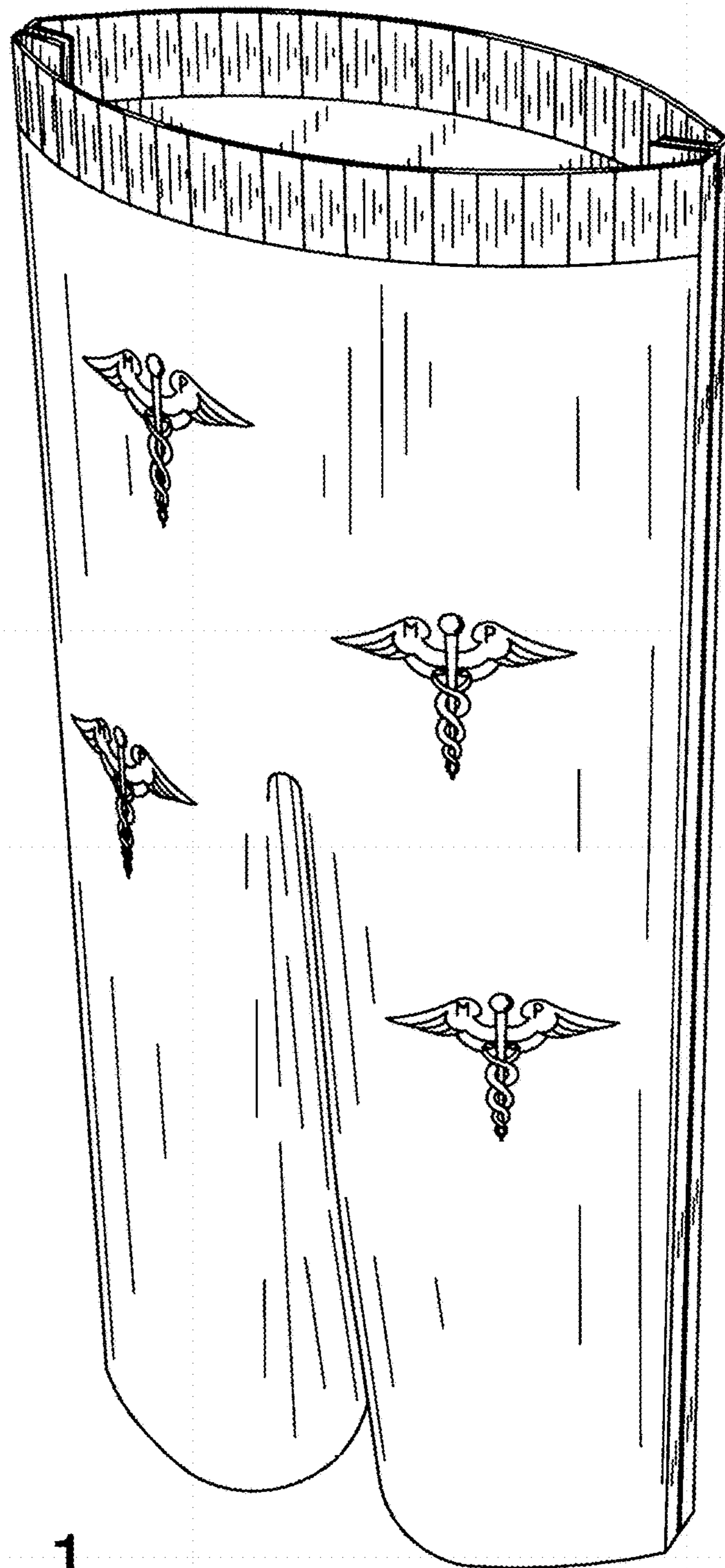


FIG. 1

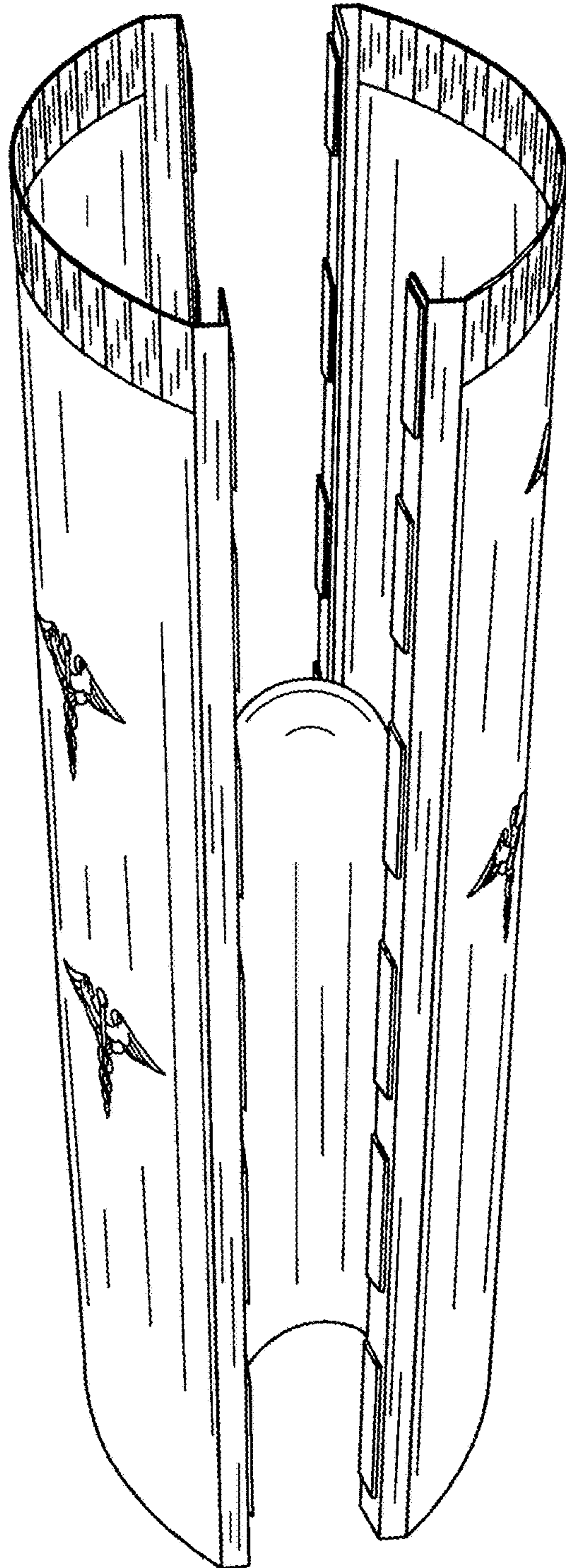


FIG. 2

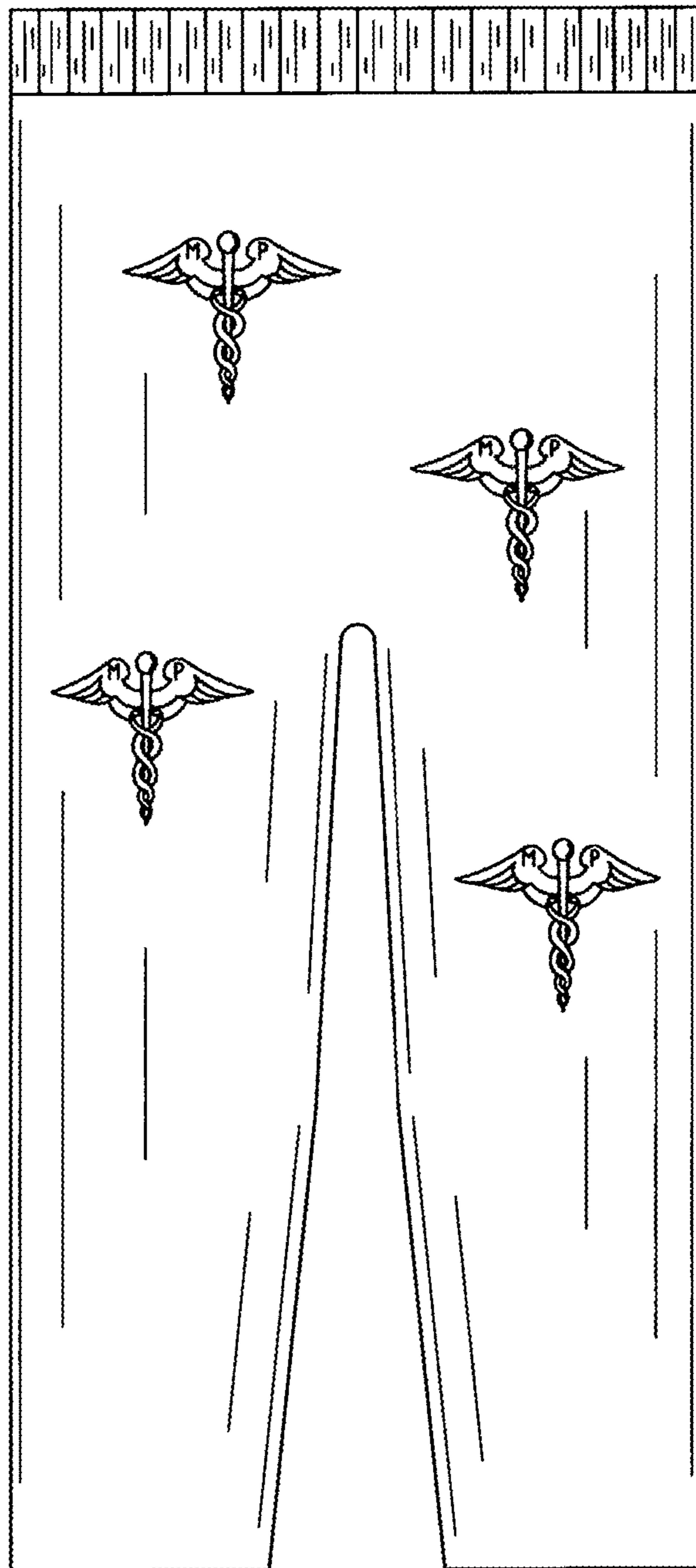


FIG. 3

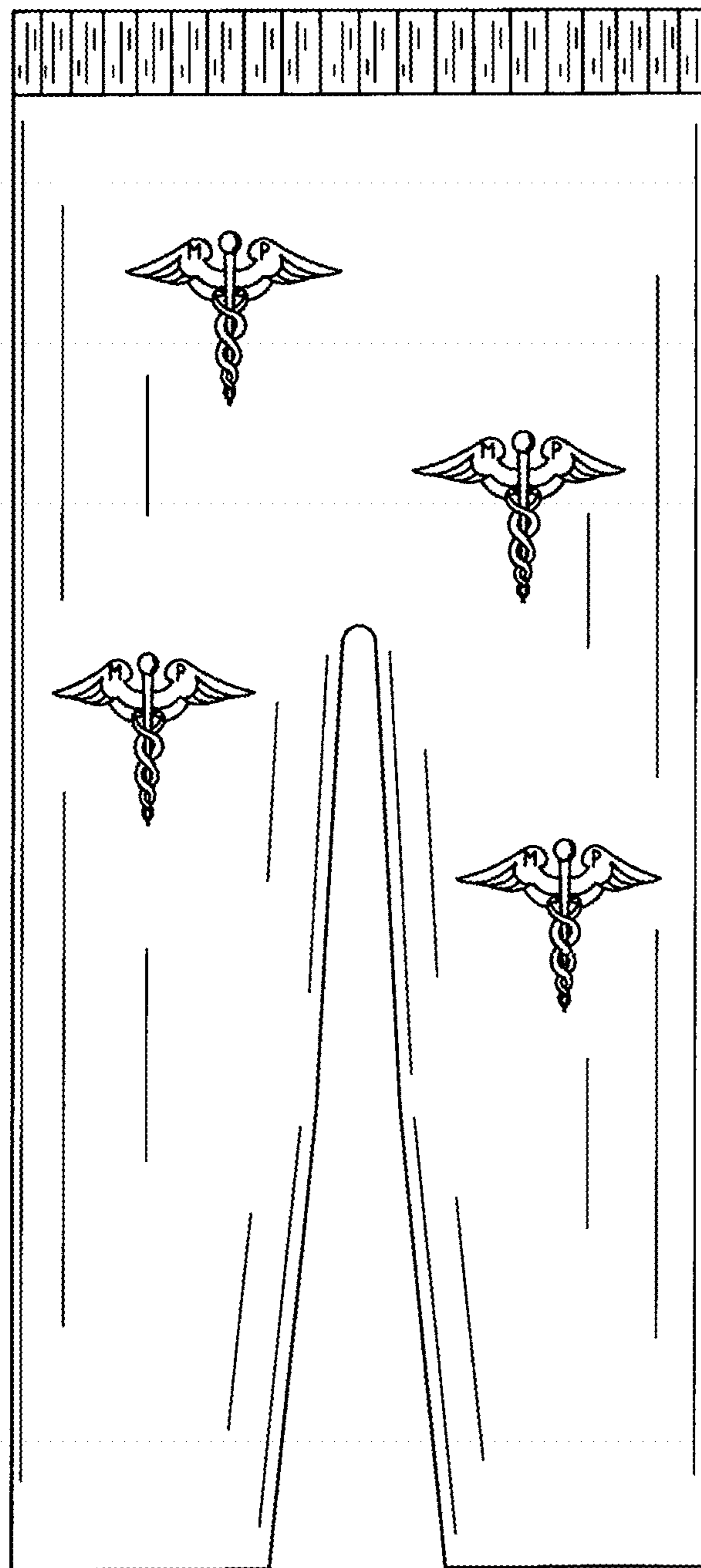


FIG. 4

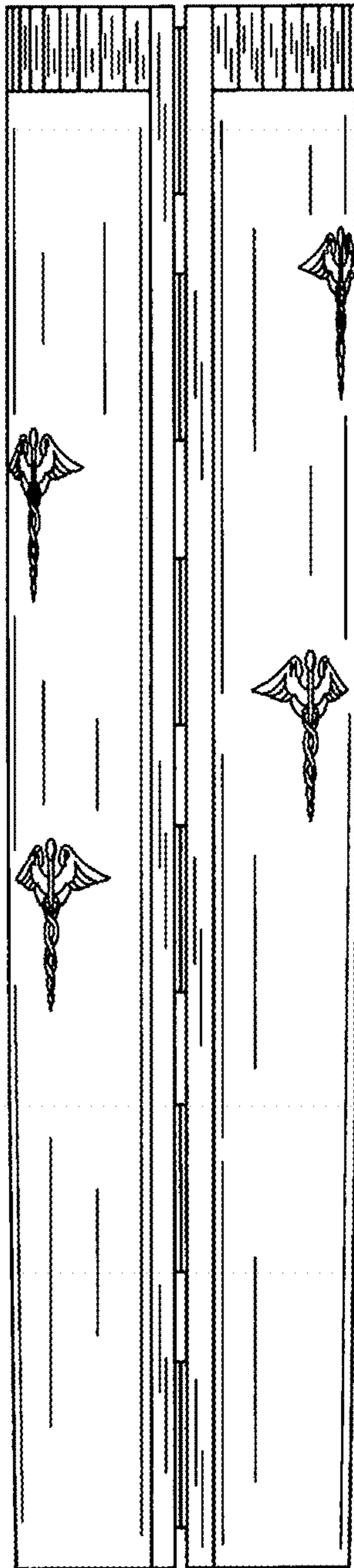


FIG. 5

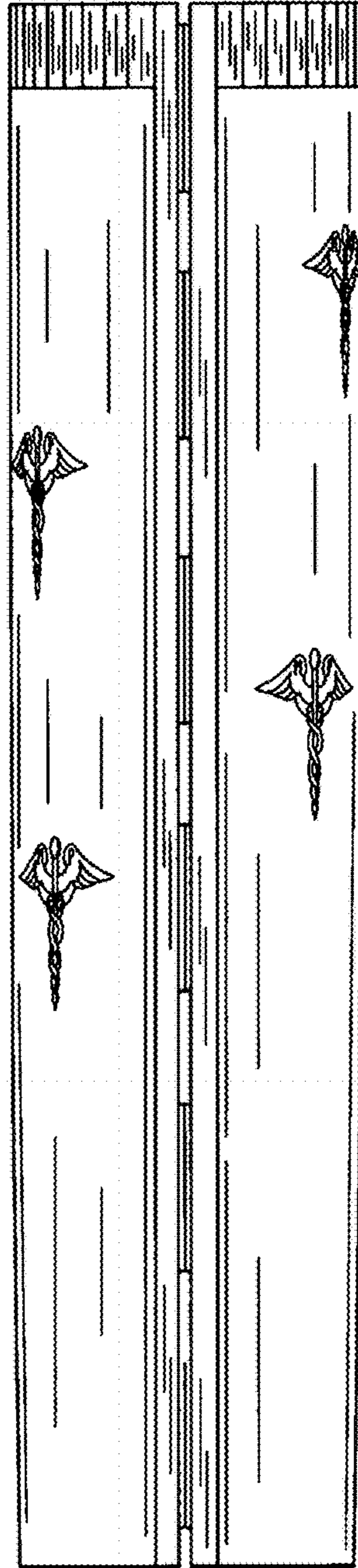


FIG. 6

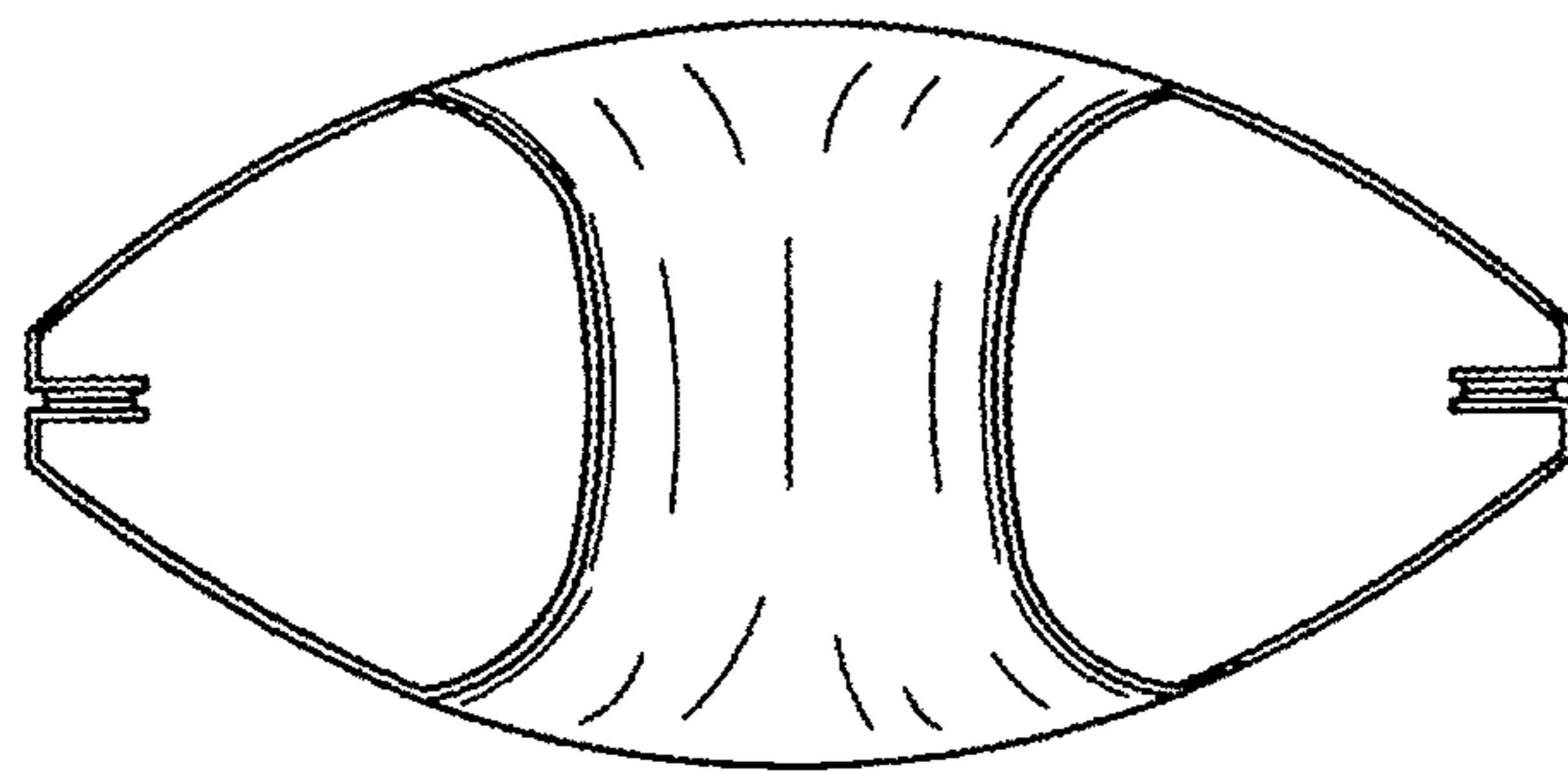


FIG. 7

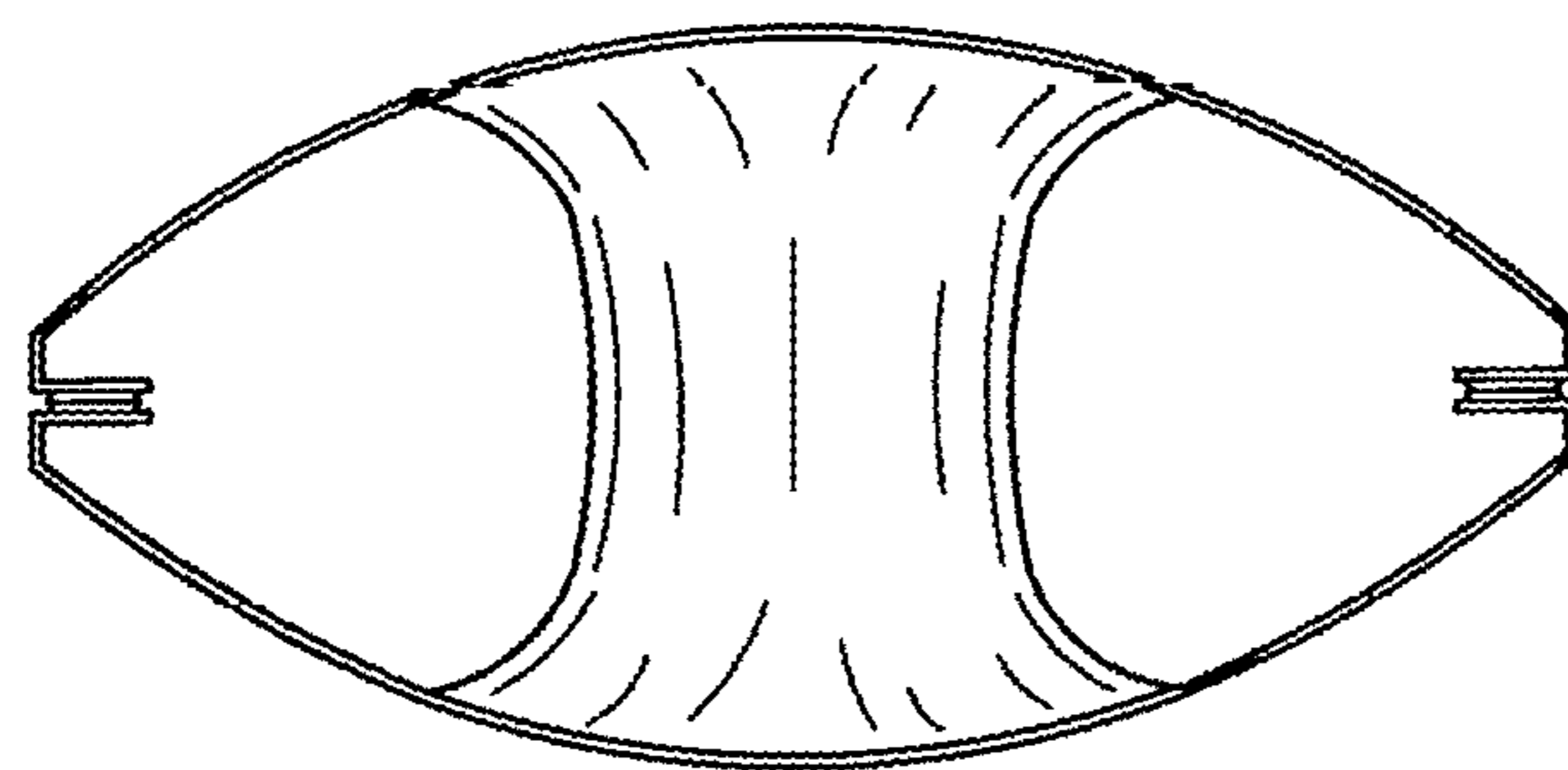


FIG. 8