



US00D849360S

(12) **United States Design Patent** (10) **Patent No.:** **US D849,360 S**
Lugar et al. (45) **Date of Patent:** **** May 28, 2019**

- (54) **GLOVE**
- (71) Applicants: **Darin Lugar**, Chandler, AZ (US);
James King, Tempe, AZ (US)
- (72) Inventors: **Darin Lugar**, Chandler, AZ (US);
James King, Tempe, AZ (US)
- (**) Term: **15 Years**
- (21) Appl. No.: **29/631,088**
- (22) Filed: **Dec. 27, 2017**
- (51) **LOC (11) Cl.** **02-06**
- (52) **U.S. Cl.**
USPC **D2/622**; D29/118
- (58) **Field of Classification Search**
USPC D2/610, 617, 622; D29/117.1, 117.2,
D29/113, 118, 119
CPC . A47J 45/10; A41D 13/081; A41D 19/01529;
A41D 19/00; B29L 2031/4864
See application file for complete search history.

- D652,994 S * 1/2012 Shamoan D29/118
 - D724,272 S * 3/2015 Nielson D29/118
 - D831,896 S * 10/2018 Krahe D29/114
- (Continued)

OTHER PUBLICATIONS

Dexas Ribbed Mitts, posted at amazon.com, posting date not given, [online], [site visited Oct. 1, 2018]. Available from Internet, URL: <https://www.amazon.com/Ribbed-Mitts-2-piece-set-Dexas%C2%AE-Protects/dp/B0112E04M4> (Year: 2018).*

(Continued)

Primary Examiner — George D. Kirschbaum
Assistant Examiner — Maria J Edwards
(74) *Attorney, Agent, or Firm* — Dunlap Bennett & Ludwig PLLC

(57) **CLAIM**

The ornamental design for a glove, as shown and described.

DESCRIPTION

FIG. 1 is a top front perspective view of a glove, showing our new design;
FIG. 2 is a front elevation view thereof;
FIG. 3 is a rear elevation view thereof;
FIG. 4 is a right-side elevation view thereof;
FIG. 5 is a left-side elevation view thereof;
FIG. 6 is a top plan view thereof;
FIG. 7 is a bottom plan view thereof;
FIG. 8 is a section view of FIG. 2; and,
FIG. 9 is a section view of FIG. 2.

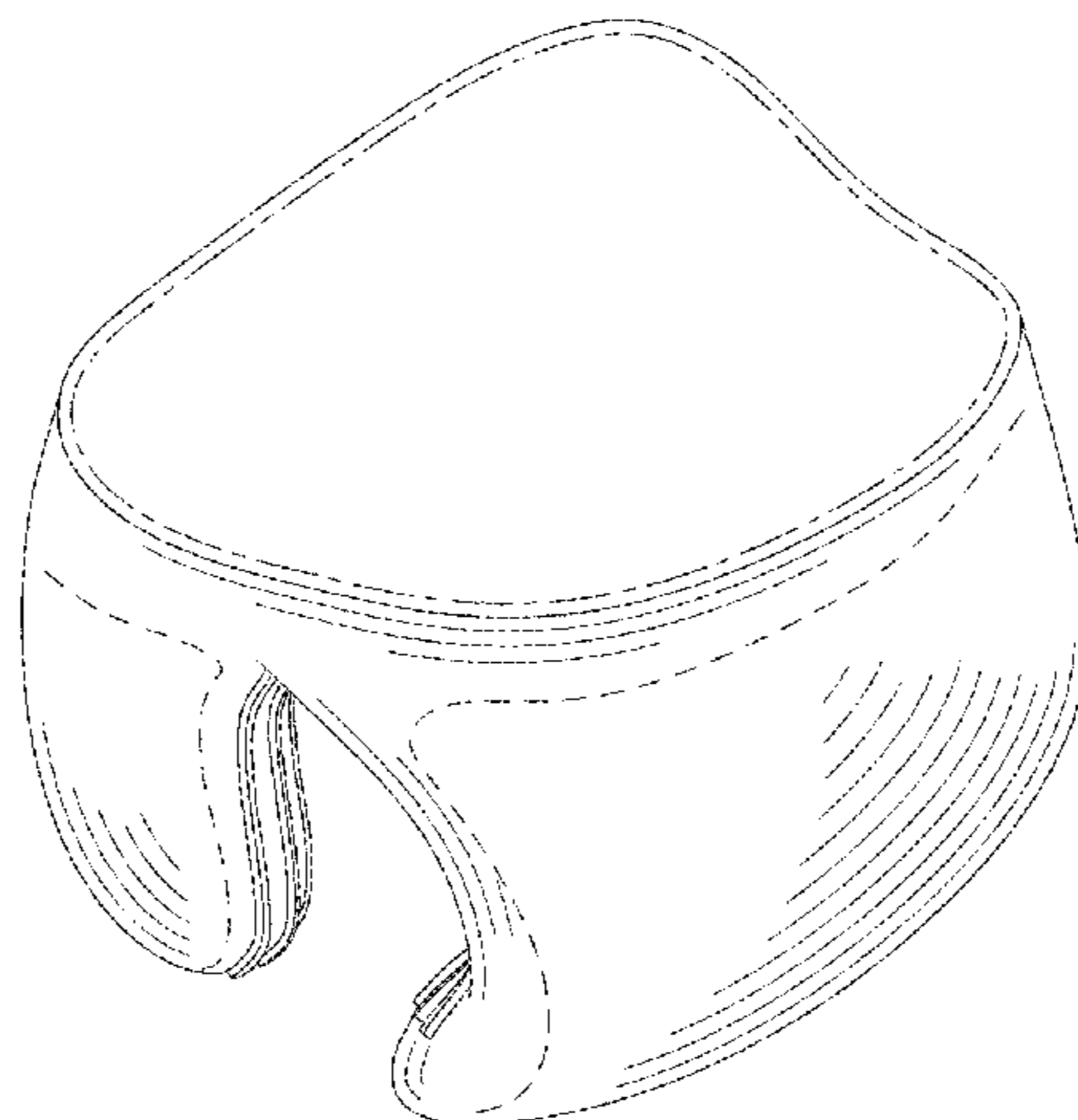
The broken lines consisting of evenly spaced lines in the drawings depict parts of the glove that form no part of the claimed design. The broken lines consisting of dash-dot-dash lines in the drawings depict the boundary of the claim and form no part of the claimed design.

1 Claim, 5 Drawing Sheets

(56) **References Cited**

U.S. PATENT DOCUMENTS

- 1,990,553 A * 2/1935 Hirsch A41D 13/087
15/227
- D188,035 S * 5/1960 Mackay D2/622
- D470,980 S * 2/2003 Bignon D29/118
- 6,532,597 B2 * 3/2003 Bignon A41D 19/0003
15/227
- D477,690 S * 7/2003 Howell D29/118
- D490,189 S * 5/2004 Bignon D29/118
- D491,318 S * 6/2004 Bignon D29/118
- D504,544 S * 4/2005 Lee D29/118
- D506,291 S * 6/2005 Lee D29/118
- 7,165,270 B2 * 1/2007 DeYoung A41D 13/087
2/16
- D544,152 S * 6/2007 Lion D2/610
- D547,010 S * 7/2007 Shamoan D29/118
- D575,460 S * 8/2008 Patel D29/118
- D634,898 S * 3/2011 Lion D29/119



(56)

References Cited

U.S. PATENT DOCUMENTS

2006/0200892 A1* 9/2006 Liang A41D 19/01
2/158
2009/0100562 A1* 4/2009 Liang A41D 19/01
2/20

OTHER PUBLICATIONS

Freshware KT-201RD Mini Silicone Oven Mitt, posted at amazon.com, posting date Feb. 5, 2011, [online], [site visited Oct. 1, 2018]. Available from Internet, URL: <https://www.amazon.com/Freshware-Kt-201RD-Mini-Silicone-Oven/dp/B004MCZU9S> (Year: 2011).*

HIC Essentials 5-Inch Silicone Pot Grabber, posted at amazon.com, posting date Mar. 4, 2013, [online], [site visited Oct. 1, 2018]. Available from Internet, URL: <https://www.amazon.com/HIC-Essentials-Silicone-Grabber-Blueberry/dp/B003NAW0RA> (Year: 2013).*

KMN Home FingerMitt, posted at amazon.com, posting date Jun. 4, 2016, [online], [site visited Oct. 1, 2018]. Available from Internet, URL: <https://www.amazon.com/KMN-Home-FingerMitt-5-Finger-Resistant/dp/B00XWQP3GK> (Year: 2016).*

Topshome Silicone Heat Resistant Cooking Pinch Mitts, posted at amazon.com, posting date Jul. 5, 2016, [online], [site visited Oct. 1, 2018]. Available from Internet, URL: <https://www.amazon.com/Silicone-Resistant-Cooking-potholder-Topshome/dp/B01MUAFSQP> (Year: 2016).*

* cited by examiner

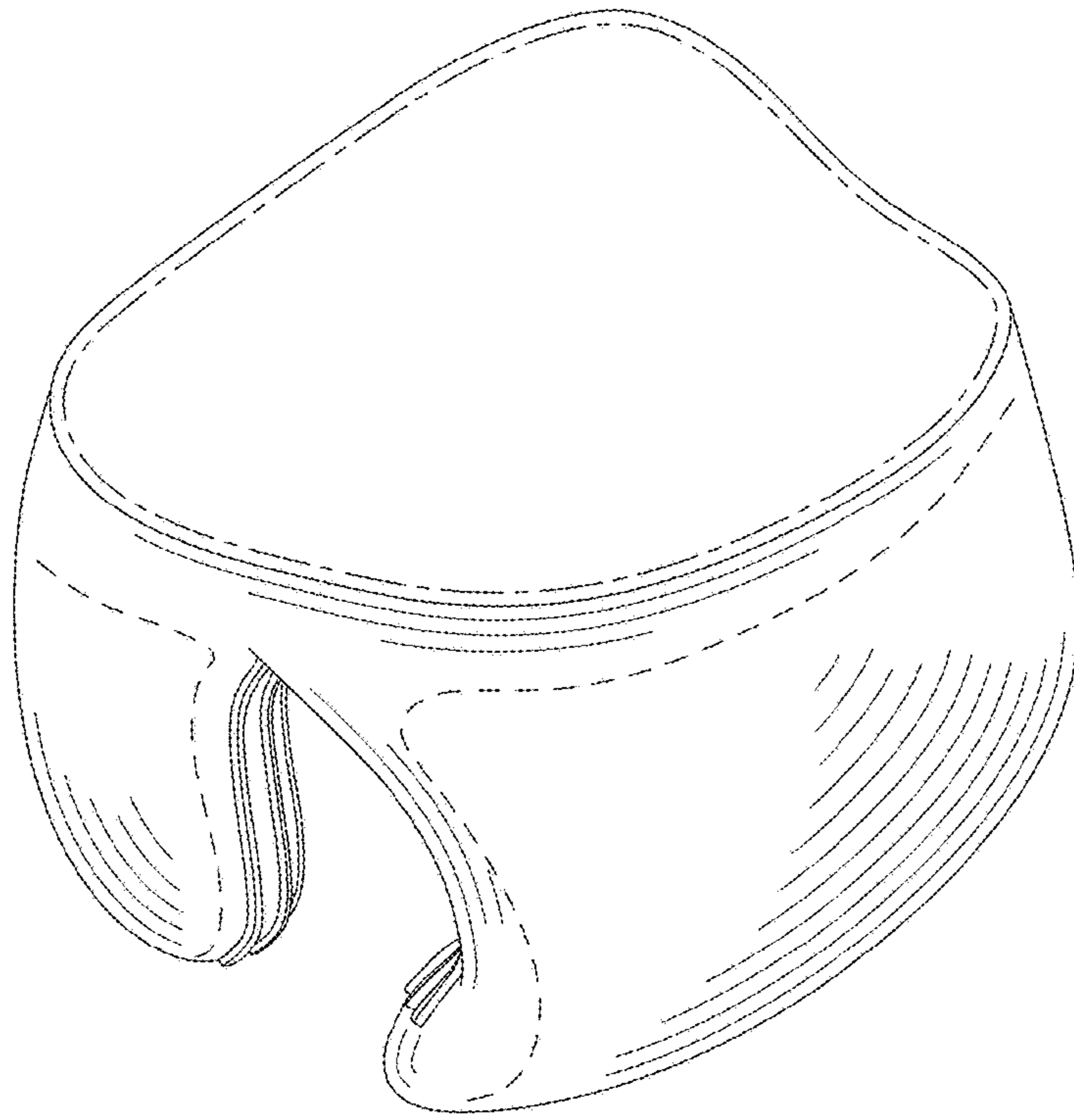
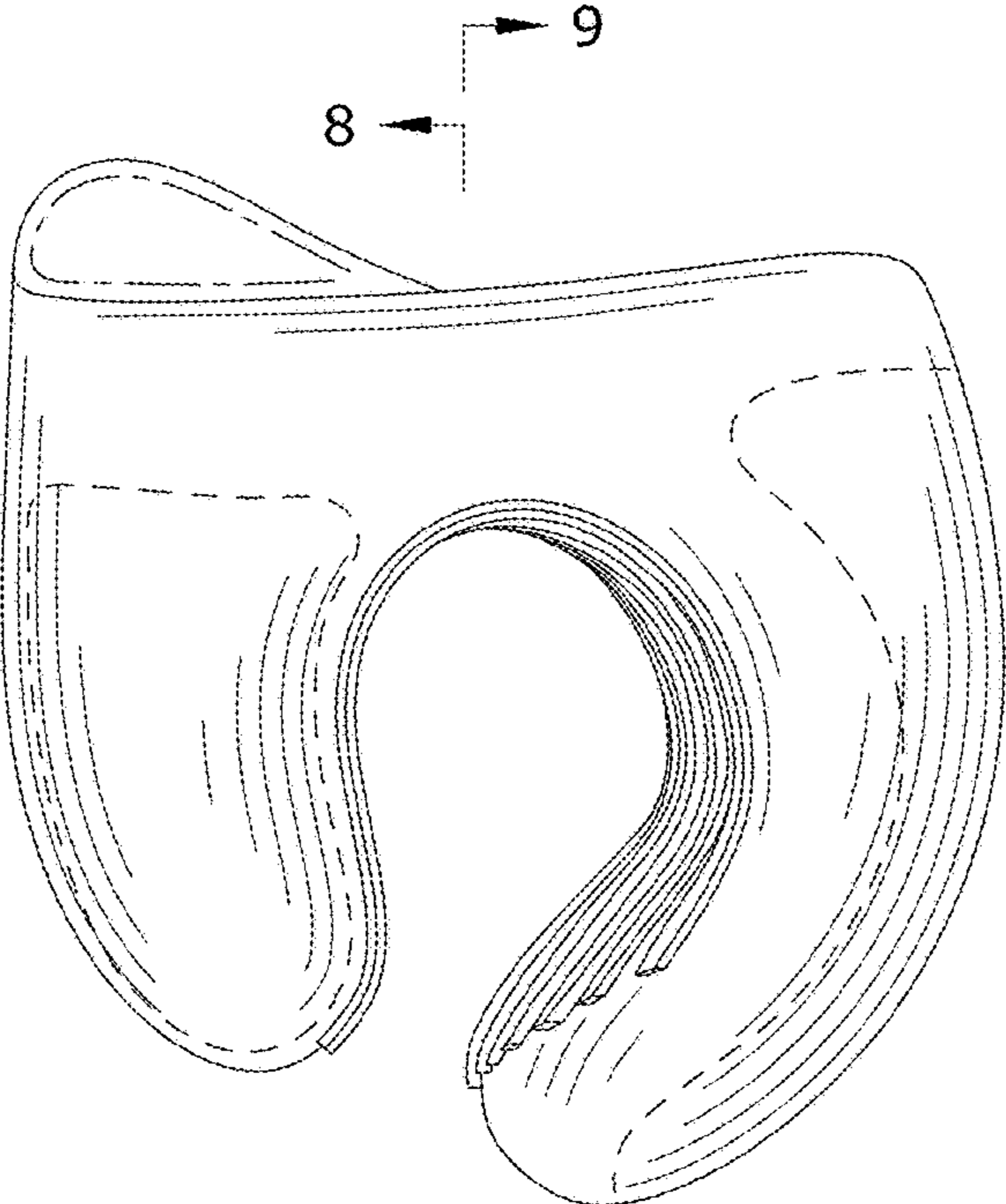


FIG. 1



8 9 FIG.2

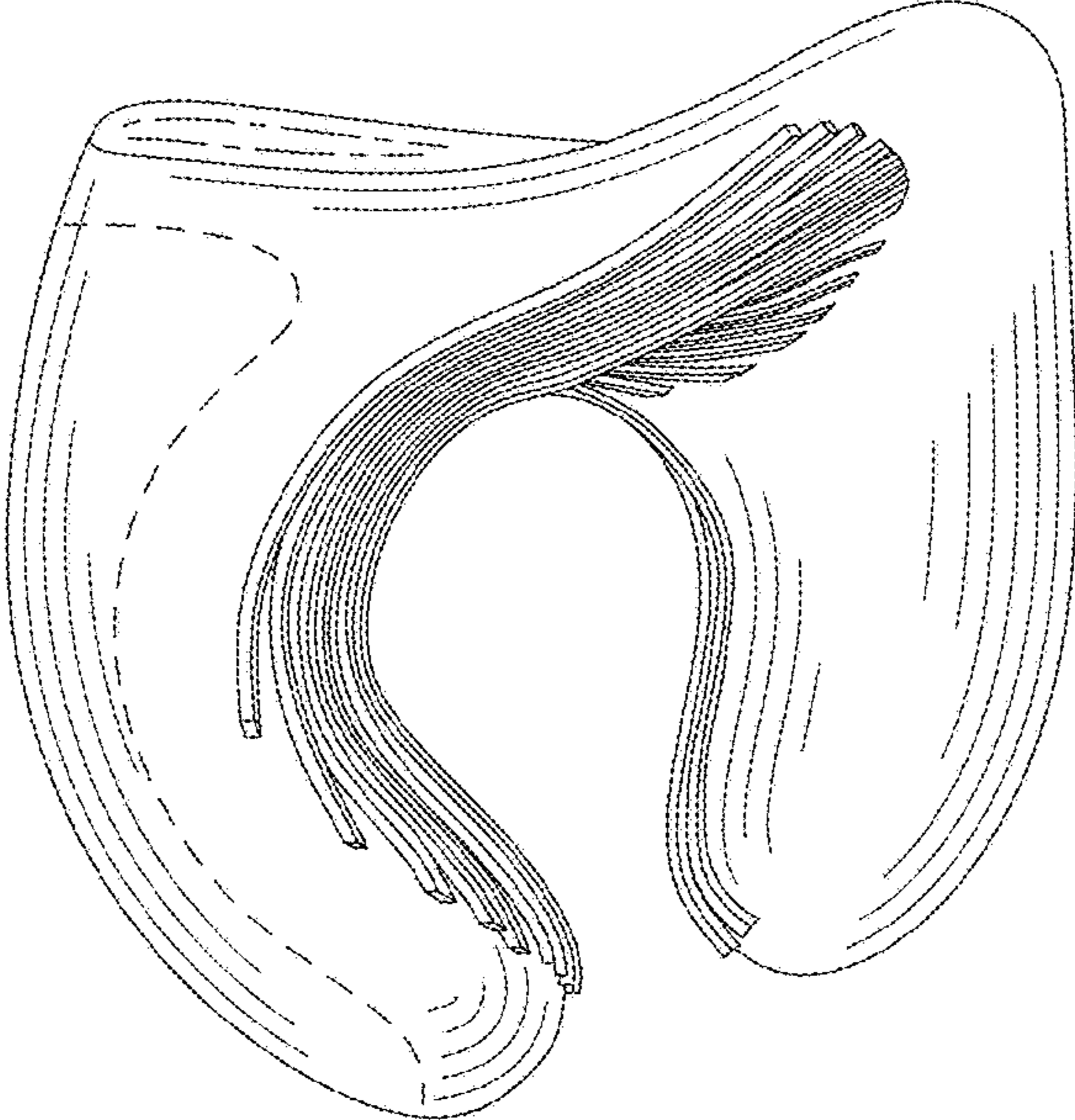


FIG.3

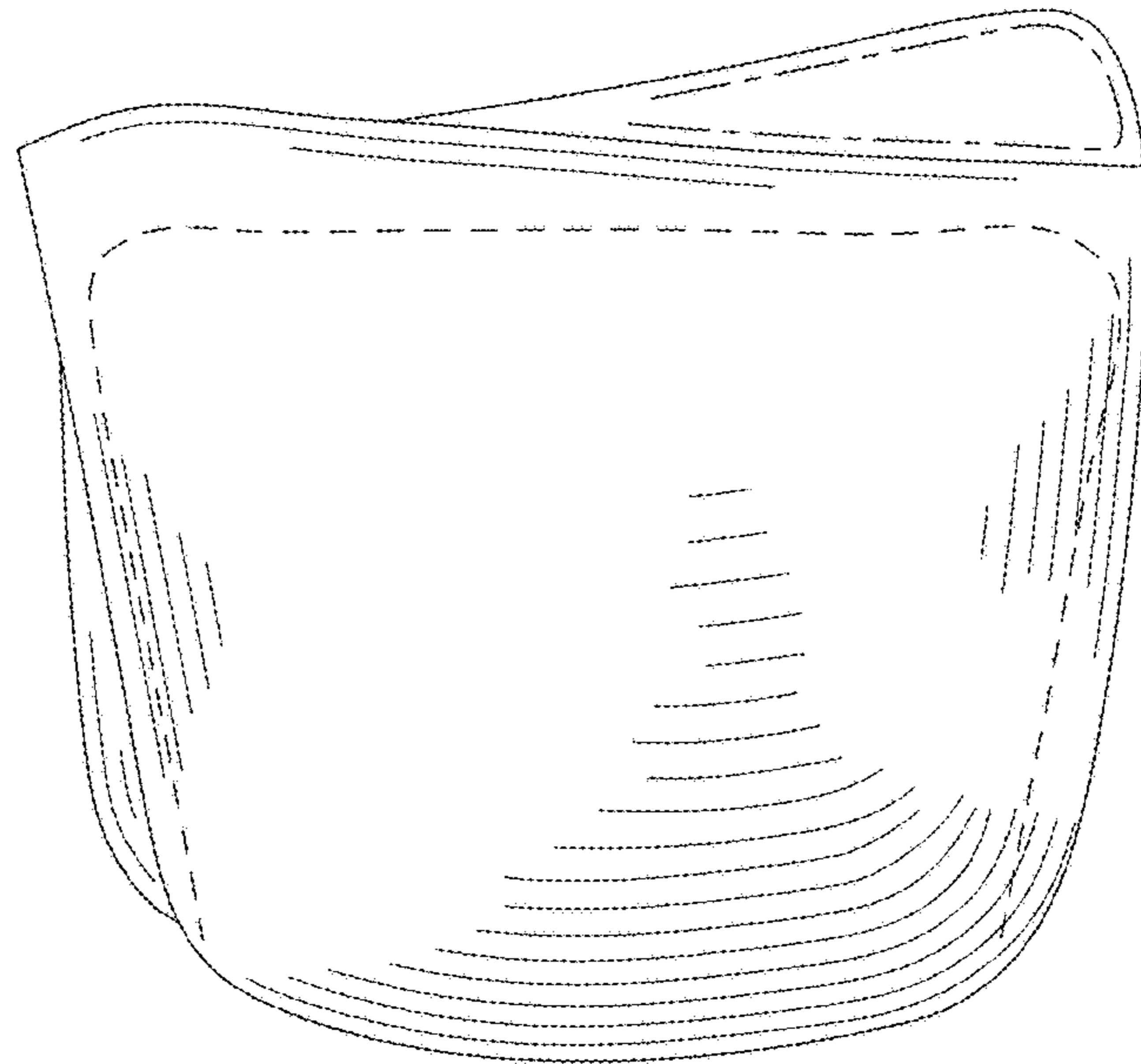


FIG. 4

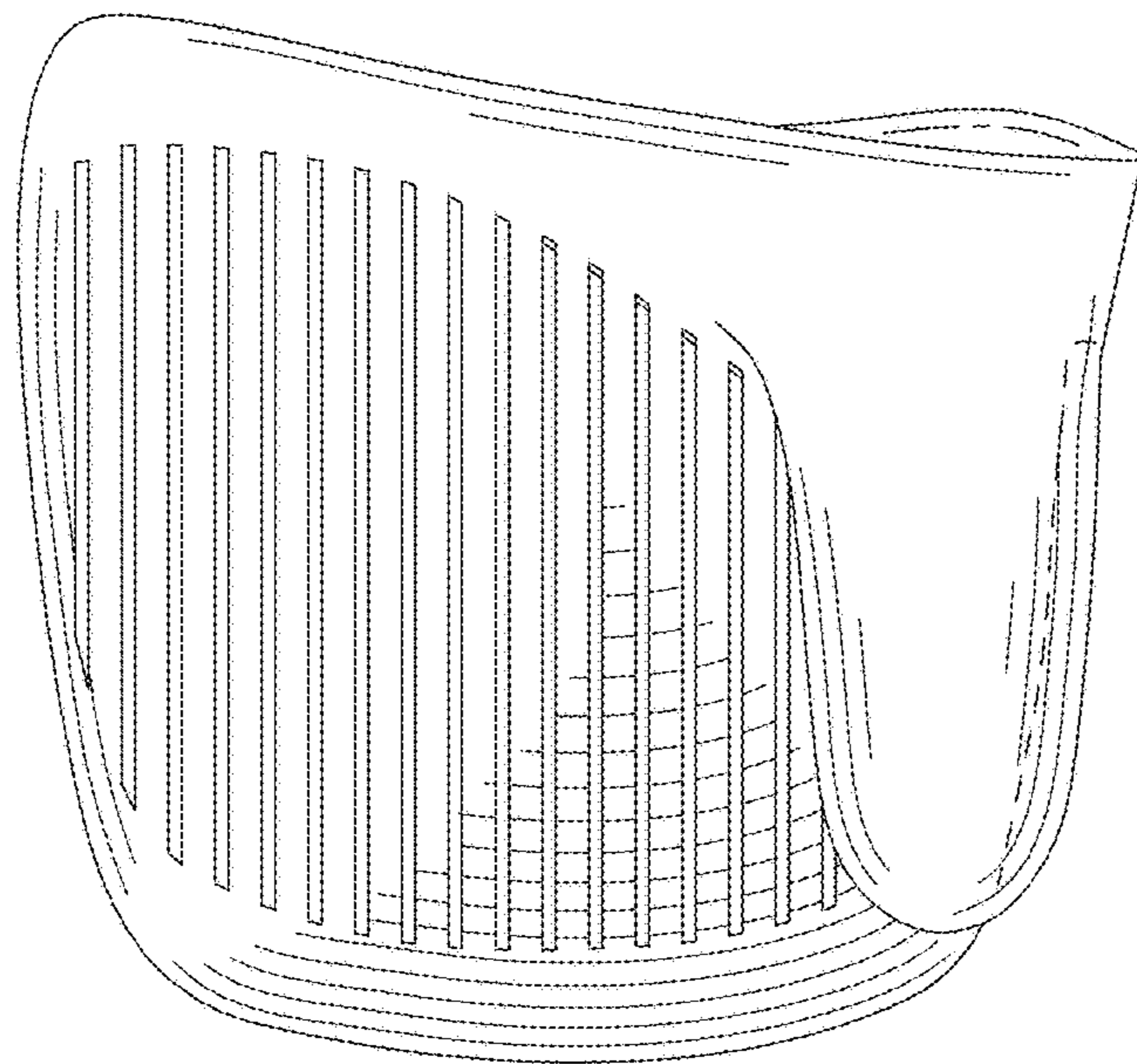


FIG. 5

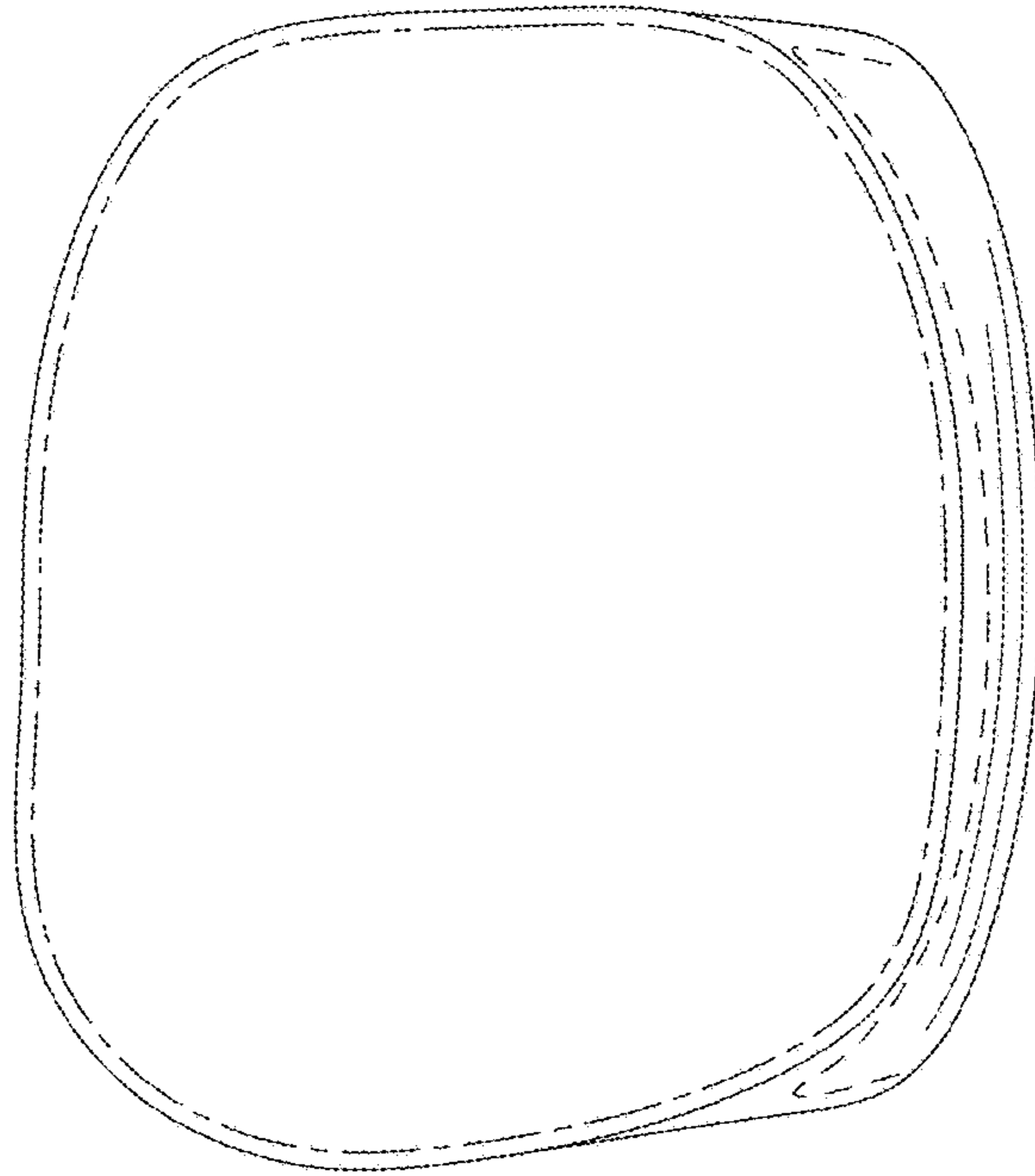


FIG. 6

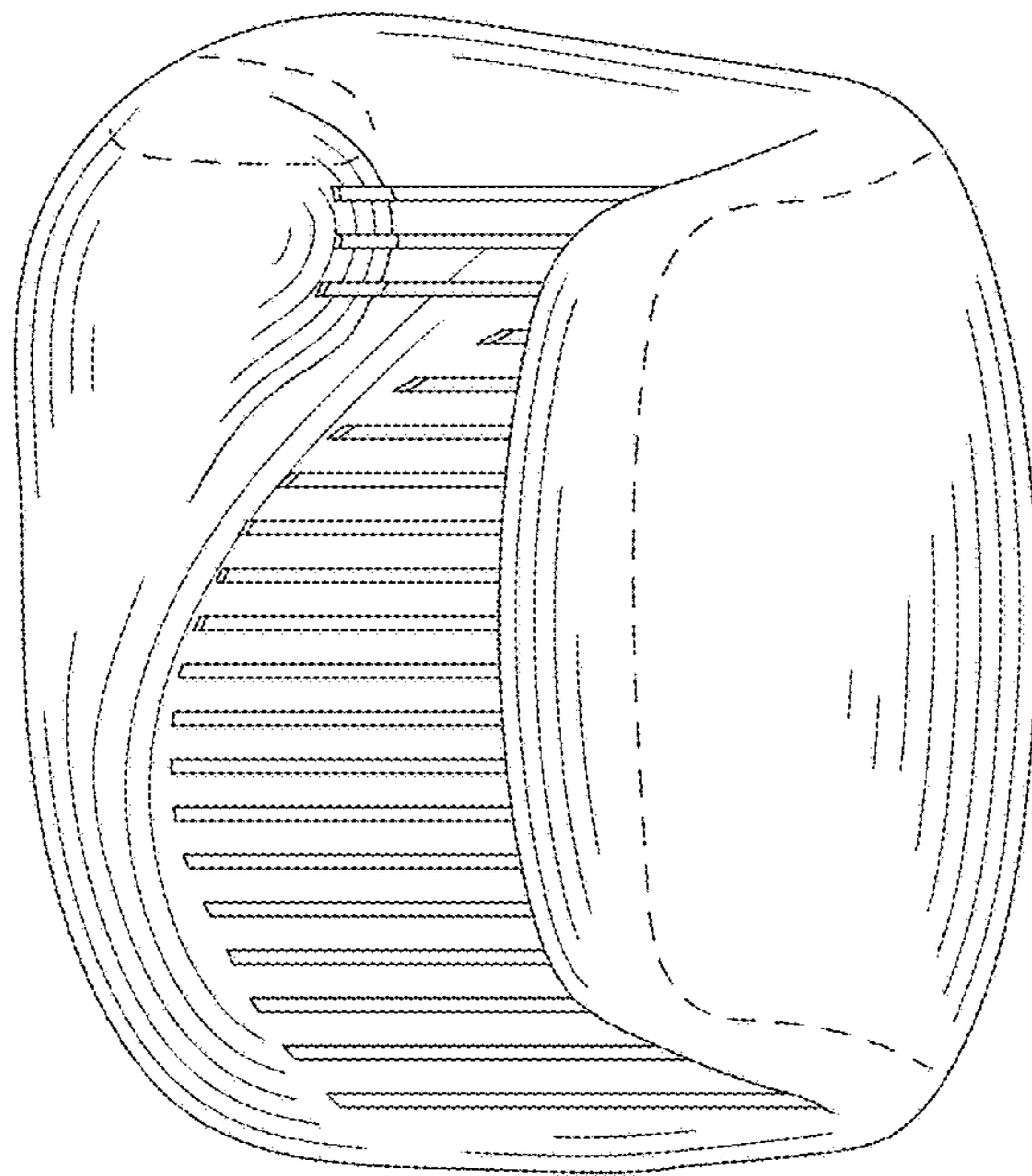


FIG. 7

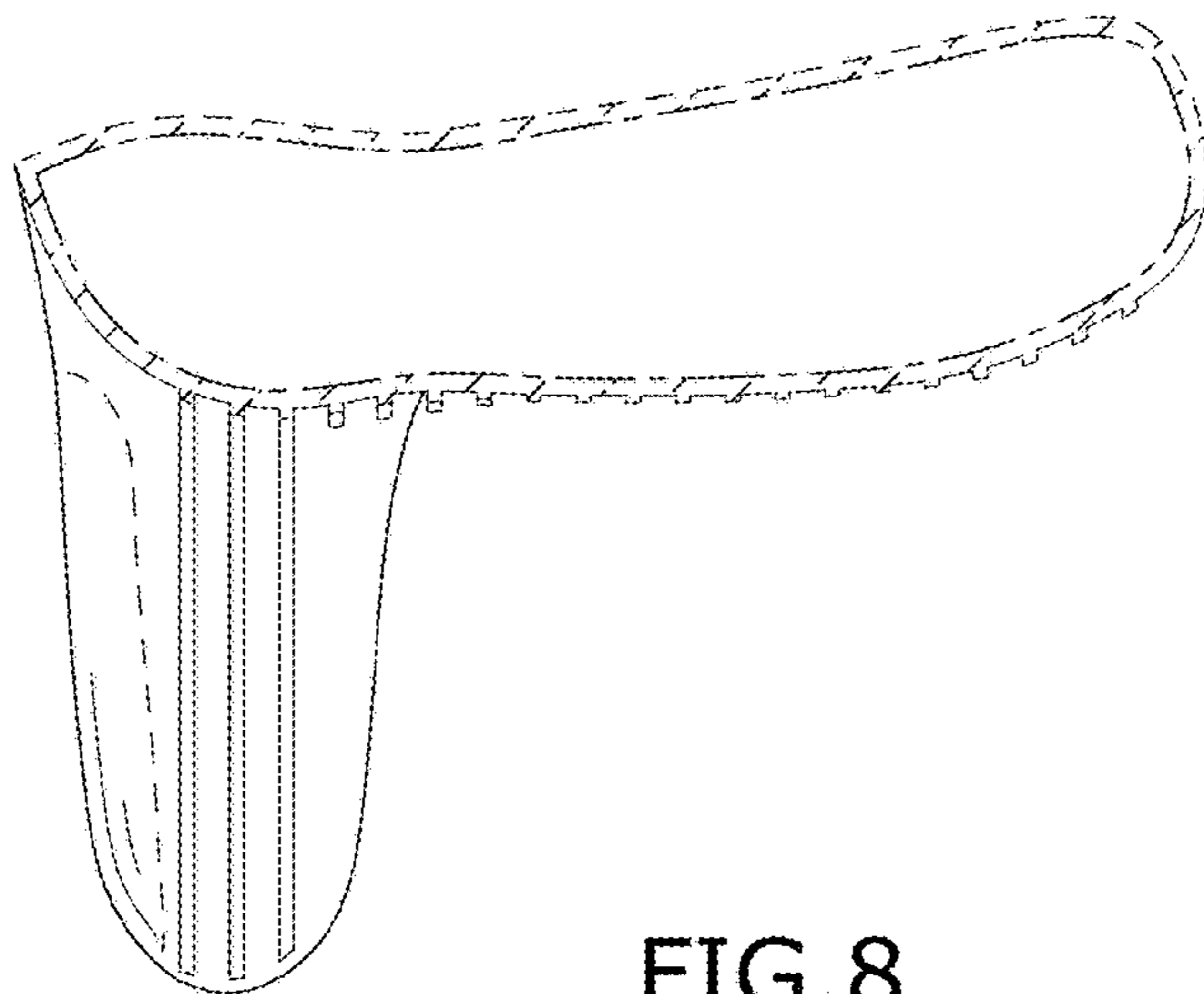


FIG. 8

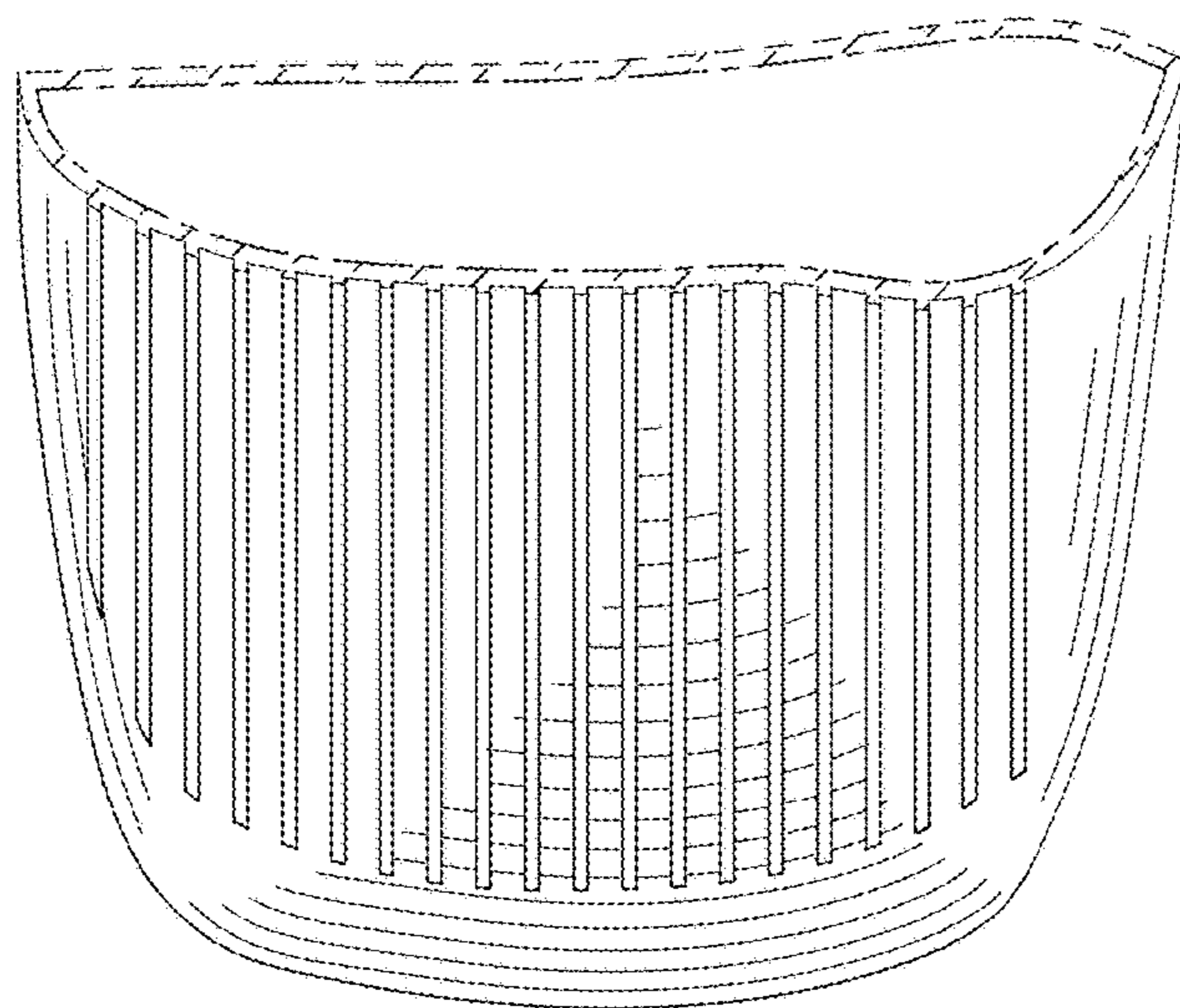


FIG. 9