

US00D849354S

(12) **United States Design Patent** (10) **Patent No.:** **US D849,354 S**  
**Chen** (45) **Date of Patent:** **\*\* May 21, 2019**

(54) **BODY FOR SAFE**  
(71) Applicant: **TIGOREX HOSPITALITY COMPANY LIMITED.**, Hong Kong (CN)  
(72) Inventor: **Jiayan Chen**, Zhejiang (CN)  
(73) Assignee: **TIGOREX HOSPITALITY COMPANY LIMITED.**, Hong Kong (CN)

D308,744 S \* 6/1990 Arauchi ..... D99/28  
D461,617 S \* 8/2002 Gardner ..... D99/28  
D498,895 S \* 11/2004 Lynch ..... D99/28  
D571,524 S \* 6/2008 Kang ..... D99/28  
D617,974 S \* 6/2010 Alfeld, Sr. .... D99/28  
7,918,362 B2 \* 4/2011 Schmitt ..... B65D 55/145  
220/324  
D671,705 S \* 11/2012 Edmondson ..... D99/28  
D732,264 S \* 6/2015 Hine ..... D99/28

(\*\*) Term: **15 Years**  
(21) Appl. No.: **29/644,153**  
(22) Filed: **Apr. 16, 2018**

(Continued)  
*Primary Examiner* — Elizabeth J Oswecki  
(74) *Attorney, Agent, or Firm* — JCIPRNET

(30) **Foreign Application Priority Data**

Feb. 13, 2018 (CN) ..... 2018 3 0069726

(51) **LOC (11) Cl.** ..... **99-00**  
(52) **U.S. Cl.**  
USPC ..... **D99/28**

(58) **Field of Classification Search**  
USPC ..... D99/28, 34, 35, 36, 43, 99; 109/1 R, 109/1 V, 2, 45, 49.5, 52, 58, 59 R, 78; 206/0.8, 0.81, 0.815, 0.82, 317, 527; 902/9  
CPC . F42B 35/00; E05G 1/00; E05G 1/005; E05G 1/02; E05G 1/024; E05G 1/026; E05G 1/04; E05G 1/10; E05G 1/14; E05G 1/003; E05G 2700/00; E05G 2700/02; E05G 2700/04; G07D 11/0006; G07D 11/0009; G07D 9/02; G07D 9/002; G07D 11/00; G07D 9/06; G07F 9/06; A47B 63/065; A45C 1/12; A45C 2001/125  
See application file for complete search history.

(56) **References Cited**

U.S. PATENT DOCUMENTS

4,669,394 A \* 6/1987 Fogleman ..... E05G 1/02  
109/59 T  
D291,019 S \* 7/1987 Druihet ..... D8/302

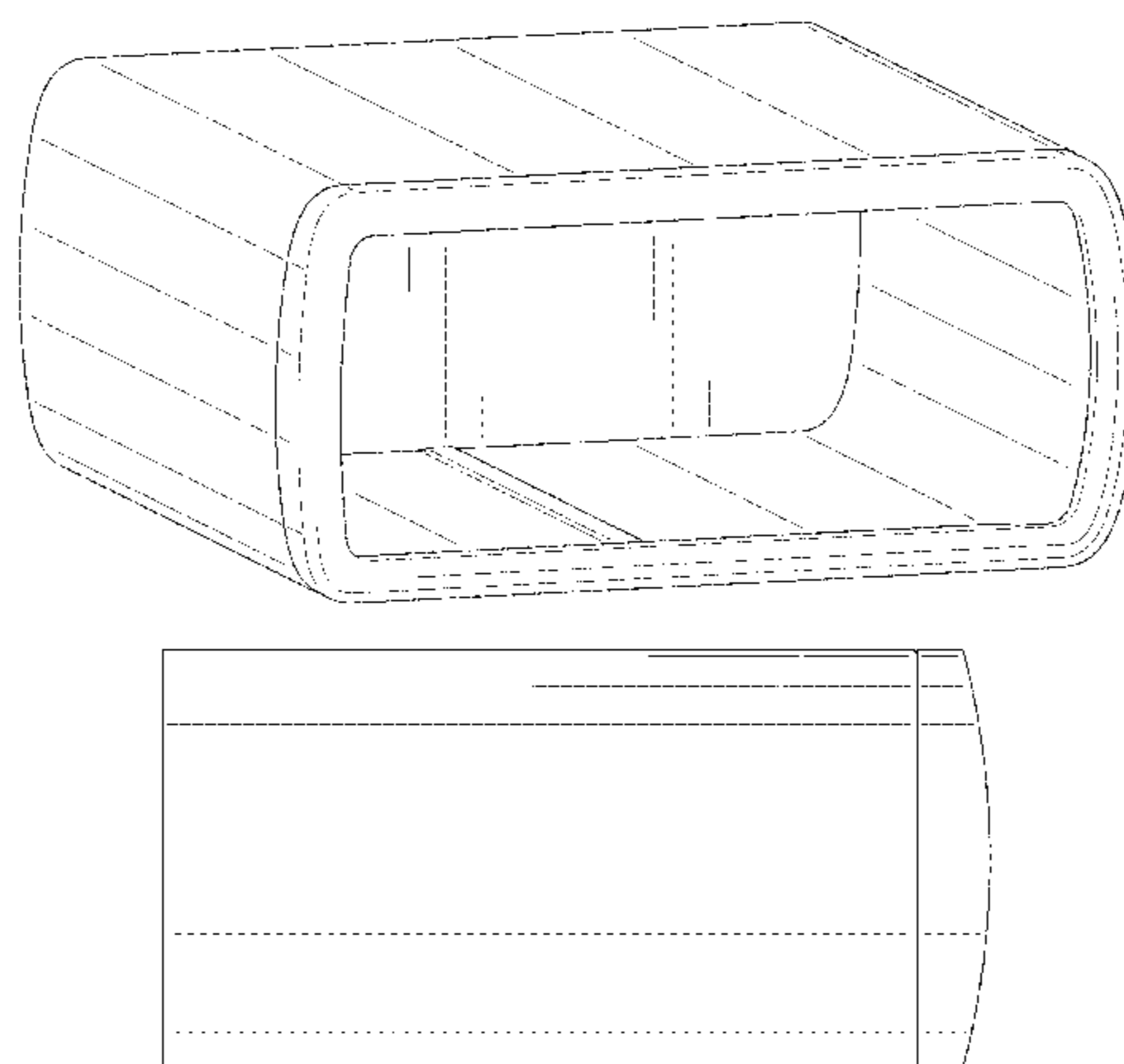
(57) **CLAIM**

The ornamental design for a body for safe, as shown and described.

**DESCRIPTION**

FIG. 1 is a perspective view of a body for safe showing my new design;  
FIG. 2 is a front view thereof;  
FIG. 3 is a left side view thereof;  
FIG. 4 is a right side view thereof;  
FIG. 5 is a top view thereof;  
FIG. 6 is a bottom view thereof; and  
FIG. 7 is another perspective view thereof, shown in a used condition wherein a door with an electronic lock is shown in broken lines mounted to the body for safe; and,  
FIG. 8 is another perspective view thereof, shown in a used condition wherein another door with another electronic lock is shown in broken lines mounted to the body for safe.  
A rear view thereof is omitted since it does not contain ornamental features. The dashed lines showing of the doors with the electronic locks in FIGS. 7 and 8 illustrate environmental structure and form no part of the claimed design.

**1 Claim, 8 Drawing Sheets**



(56)

**References Cited**

U.S. PATENT DOCUMENTS

D732,265 S *	6/2015	Osiecki .....	D99/28
D748,365 S *	1/2016	Nelson .....	D99/28
D748,889 S *	2/2016	Ng .....	D99/28
D799,149 S *	10/2017	Chafetz .....	D99/28
D800,989 S *	10/2017	Lucido .....	D99/28
D802,872 S *	11/2017	Frisher .....	D99/28
D803,508 S *	11/2017	Horn .....	D99/28
D811,687 S *	2/2018	Kang .....	D99/28
D814,139 S *	3/2018	Newcomb .....	D99/28

\* cited by examiner

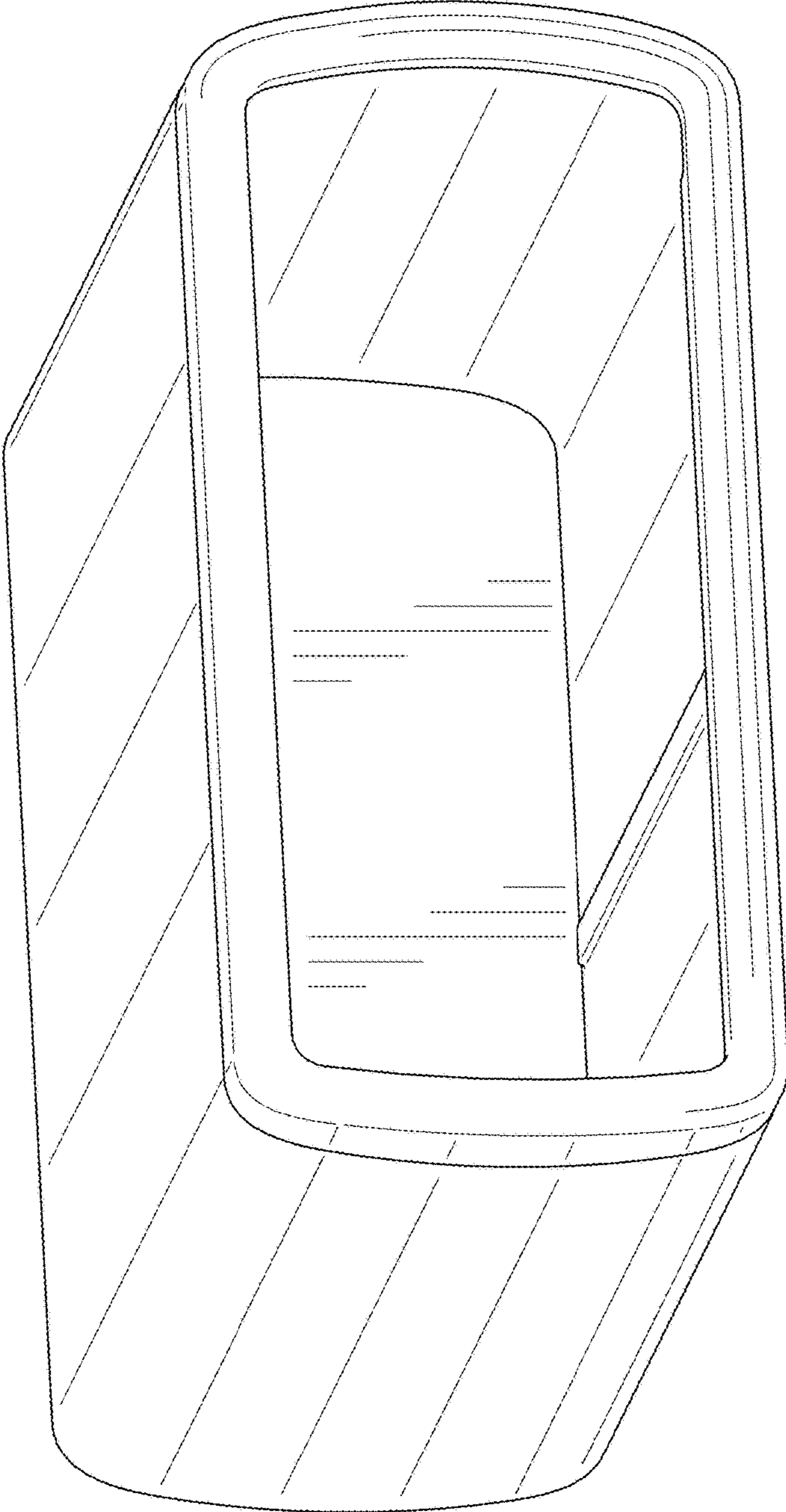


FIG. 1

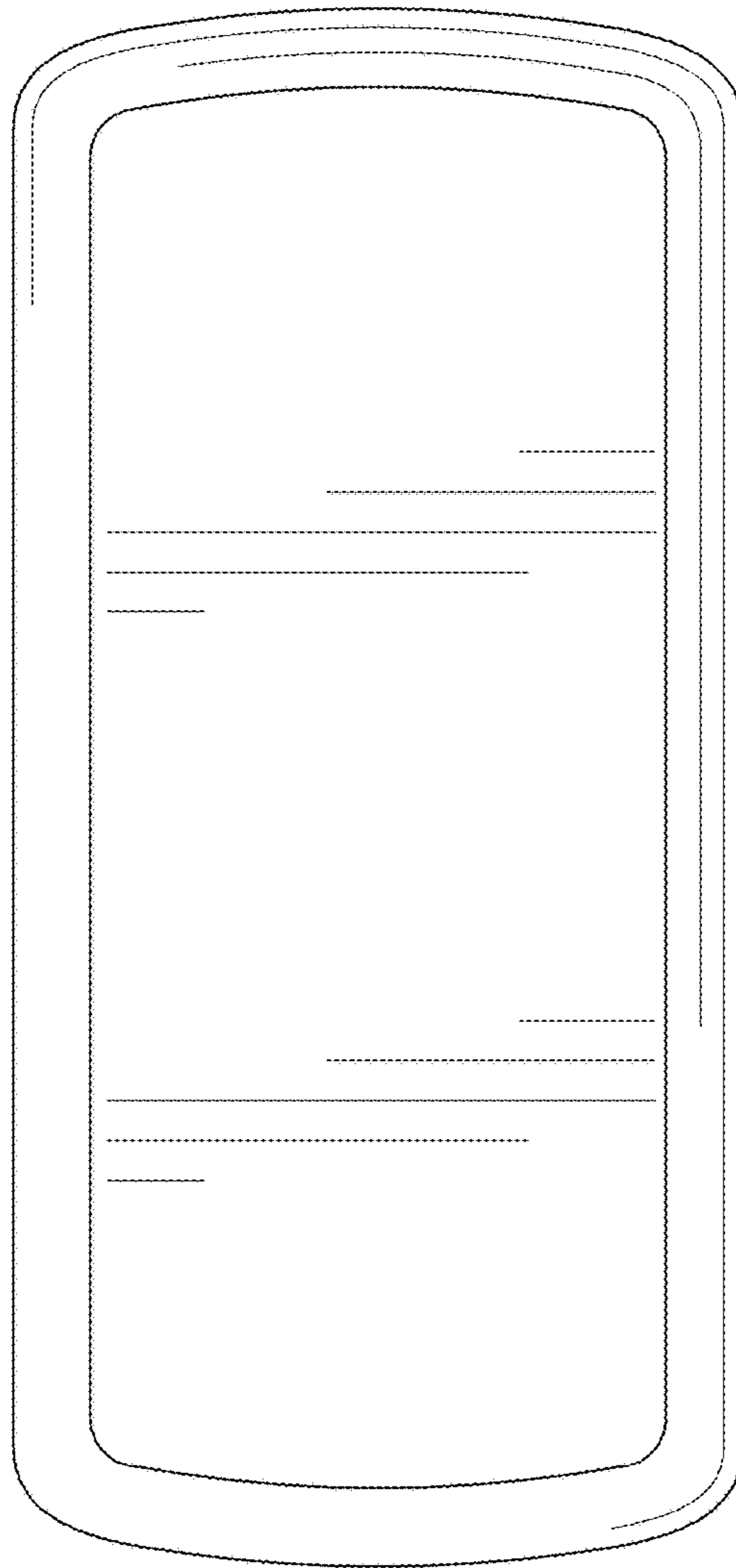


FIG. 2

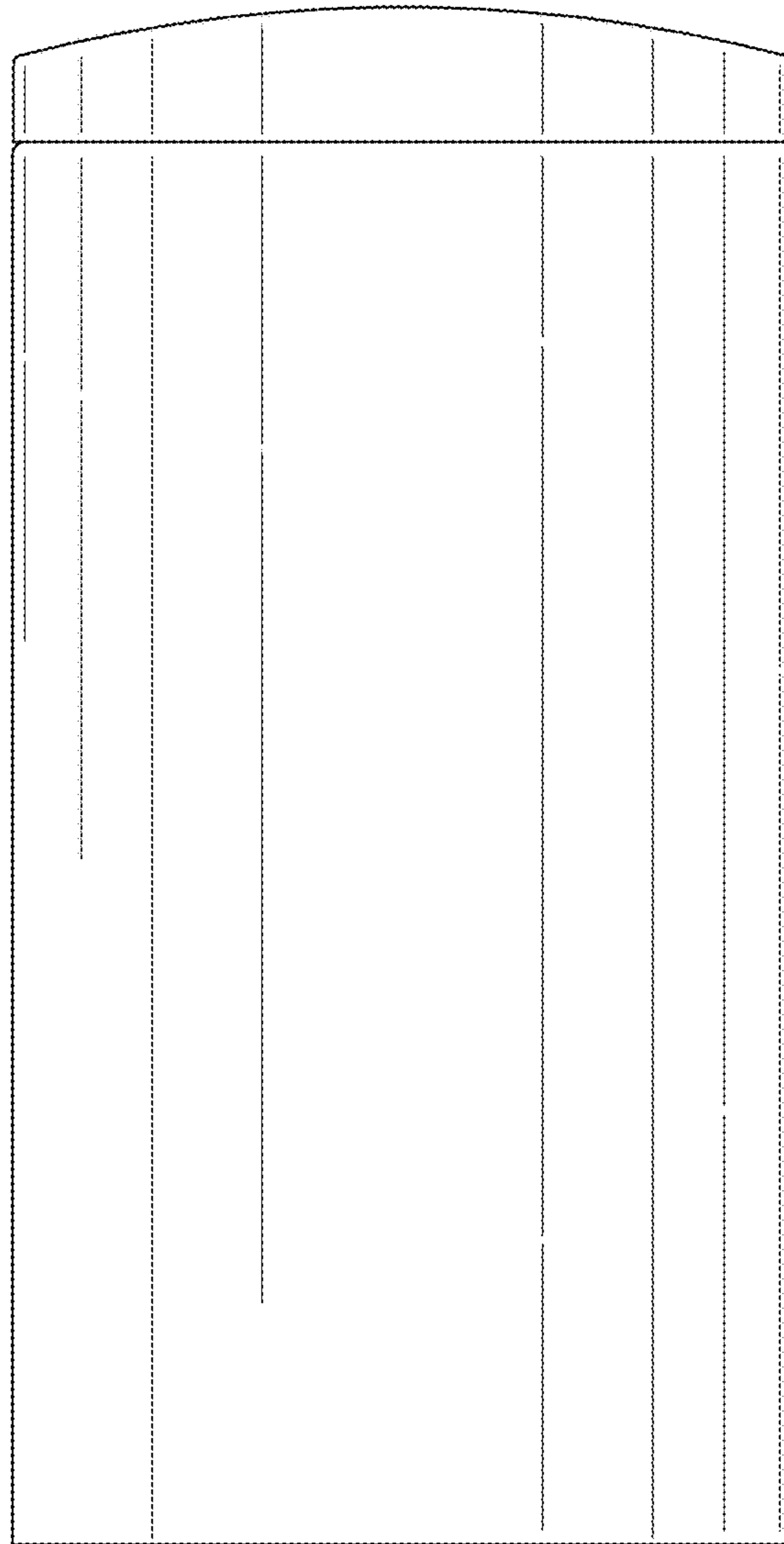


FIG. 3

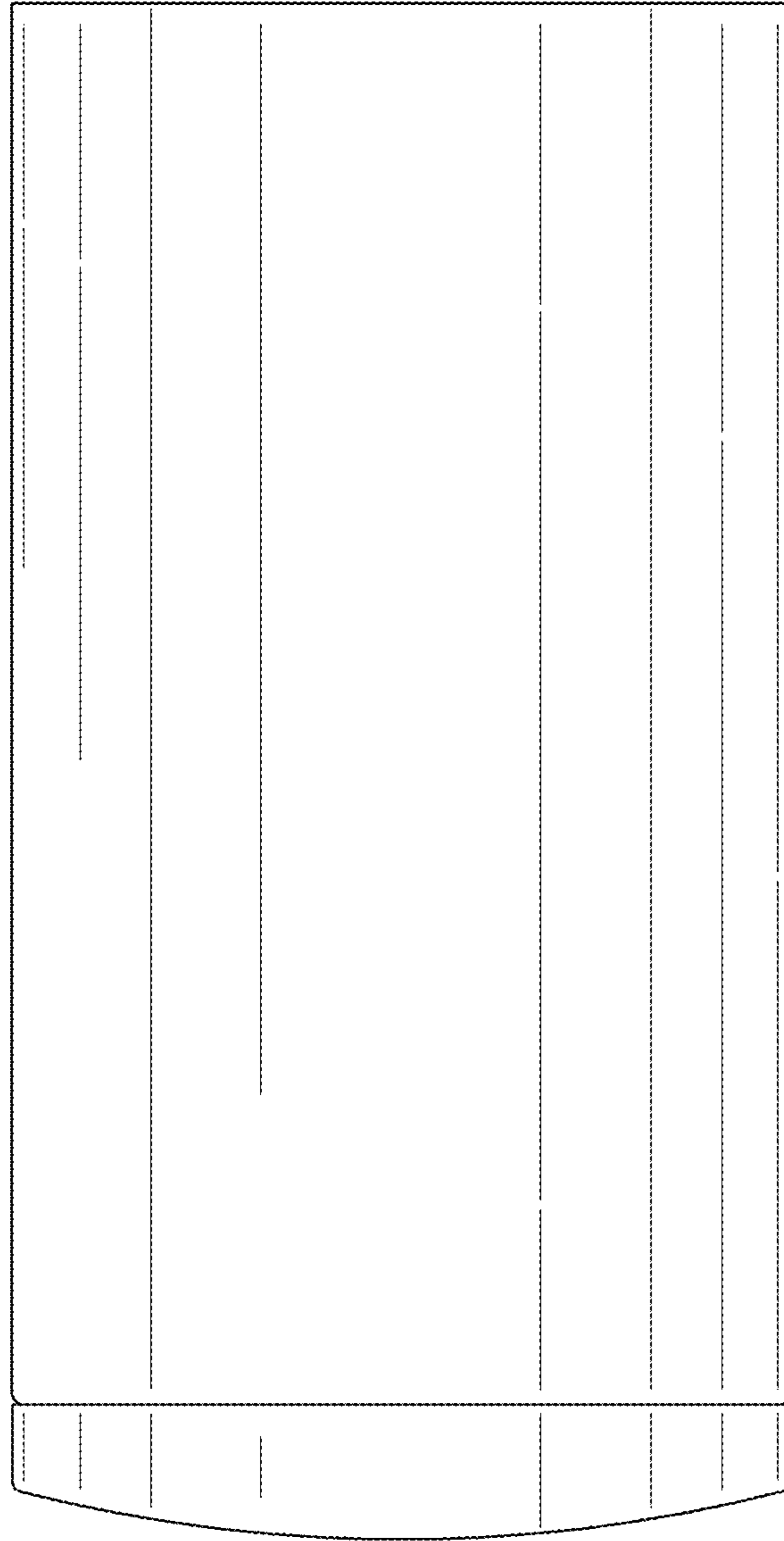


FIG. 4

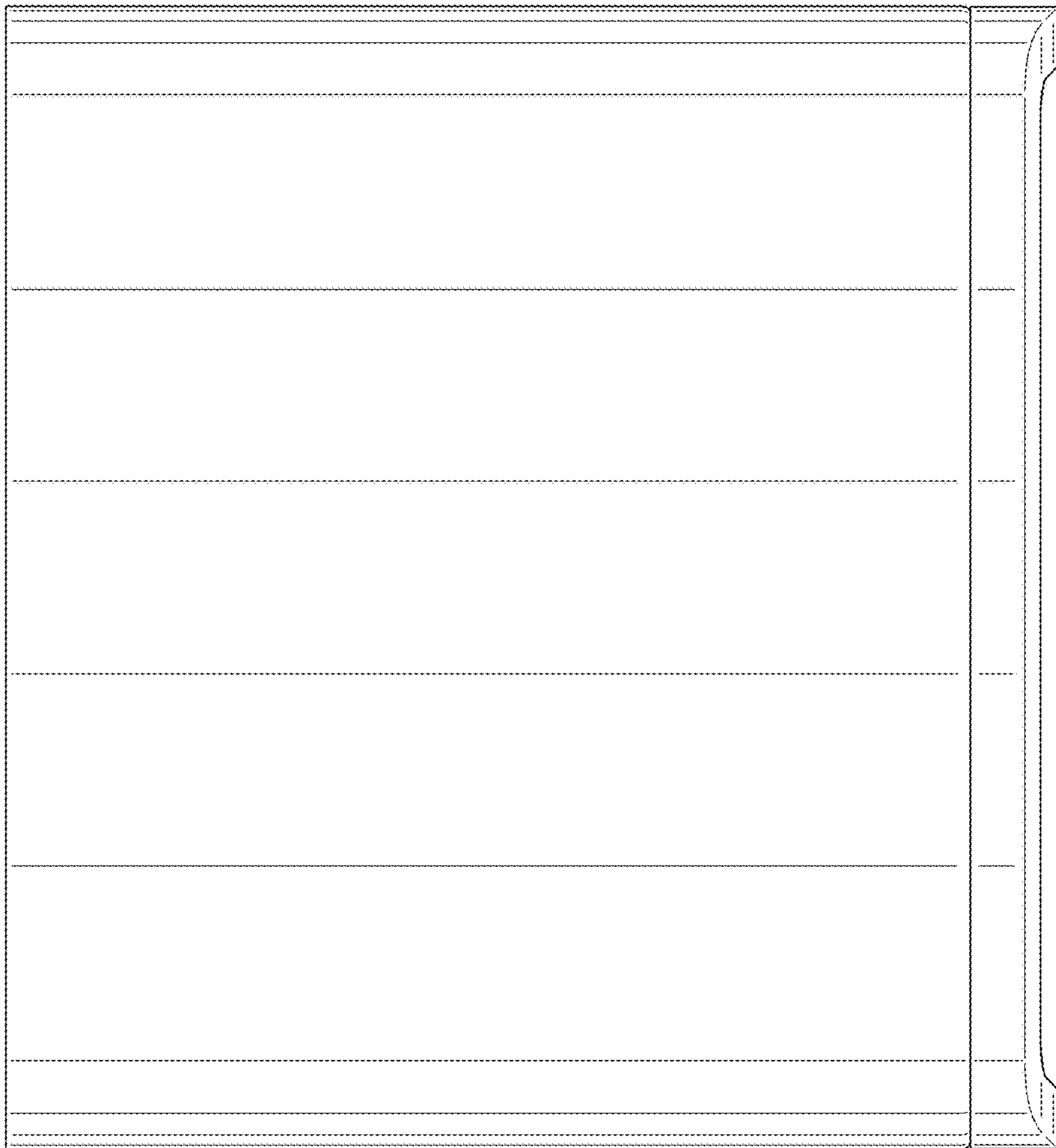


FIG. 5

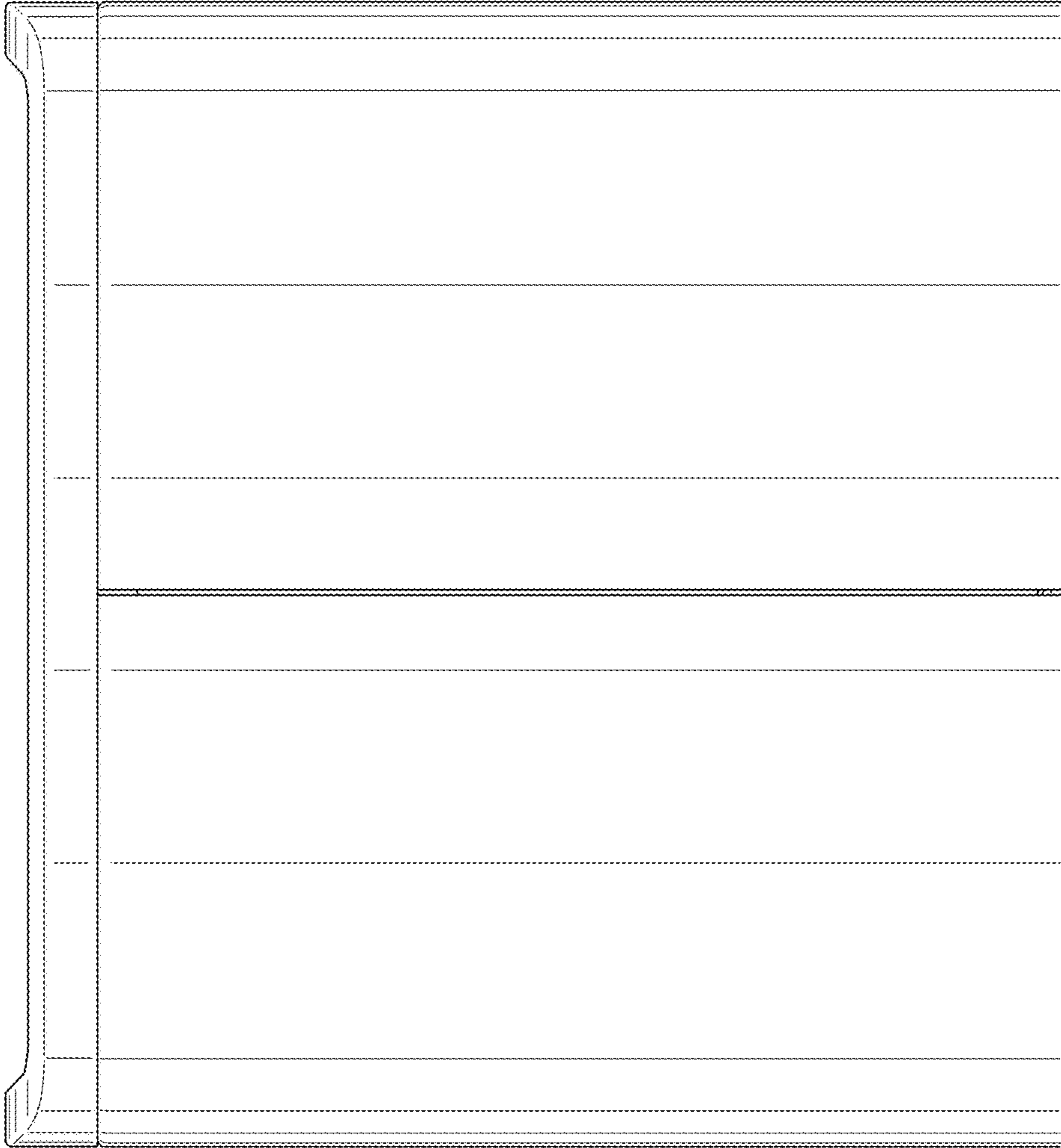


FIG. 6



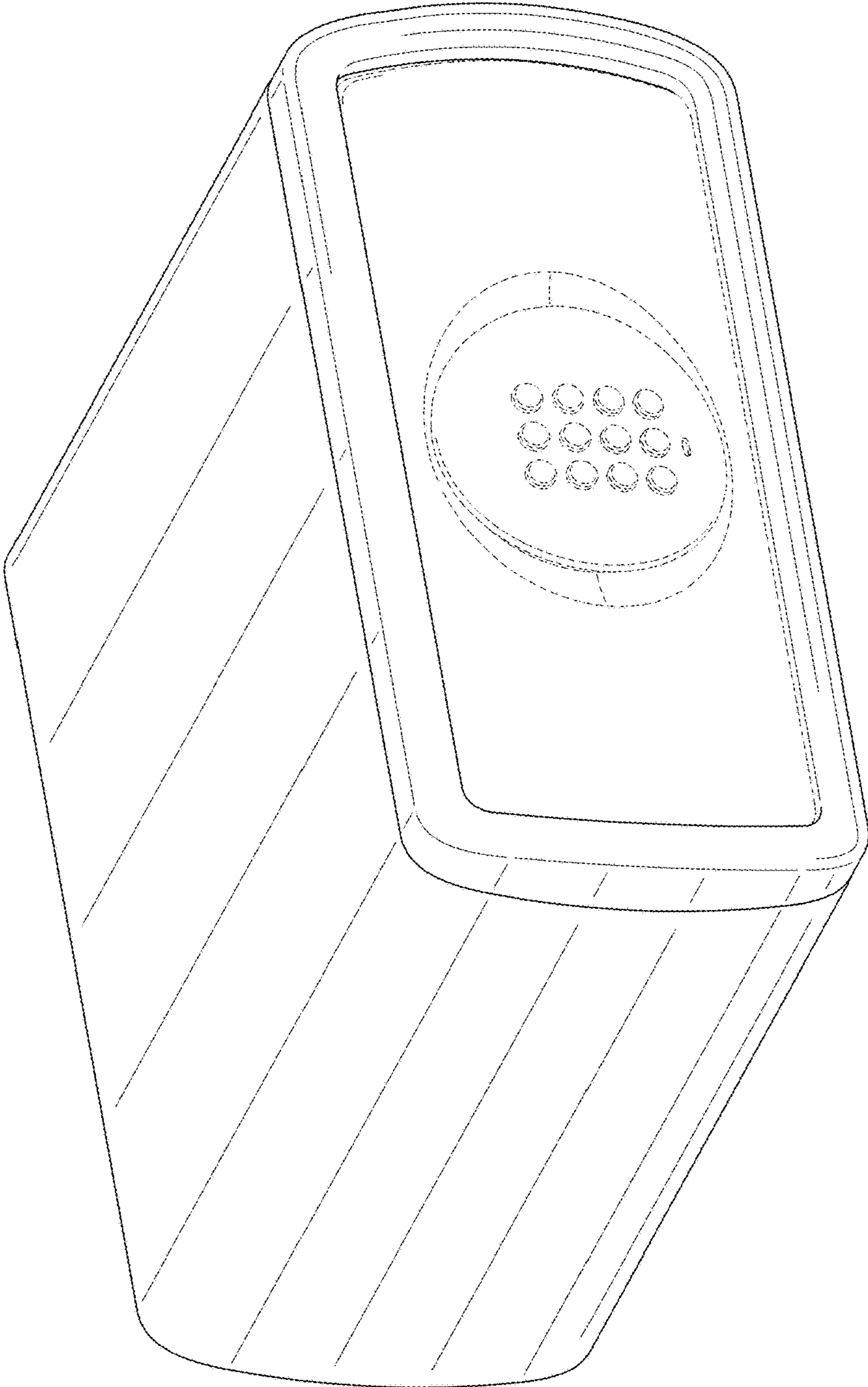


FIG. 7

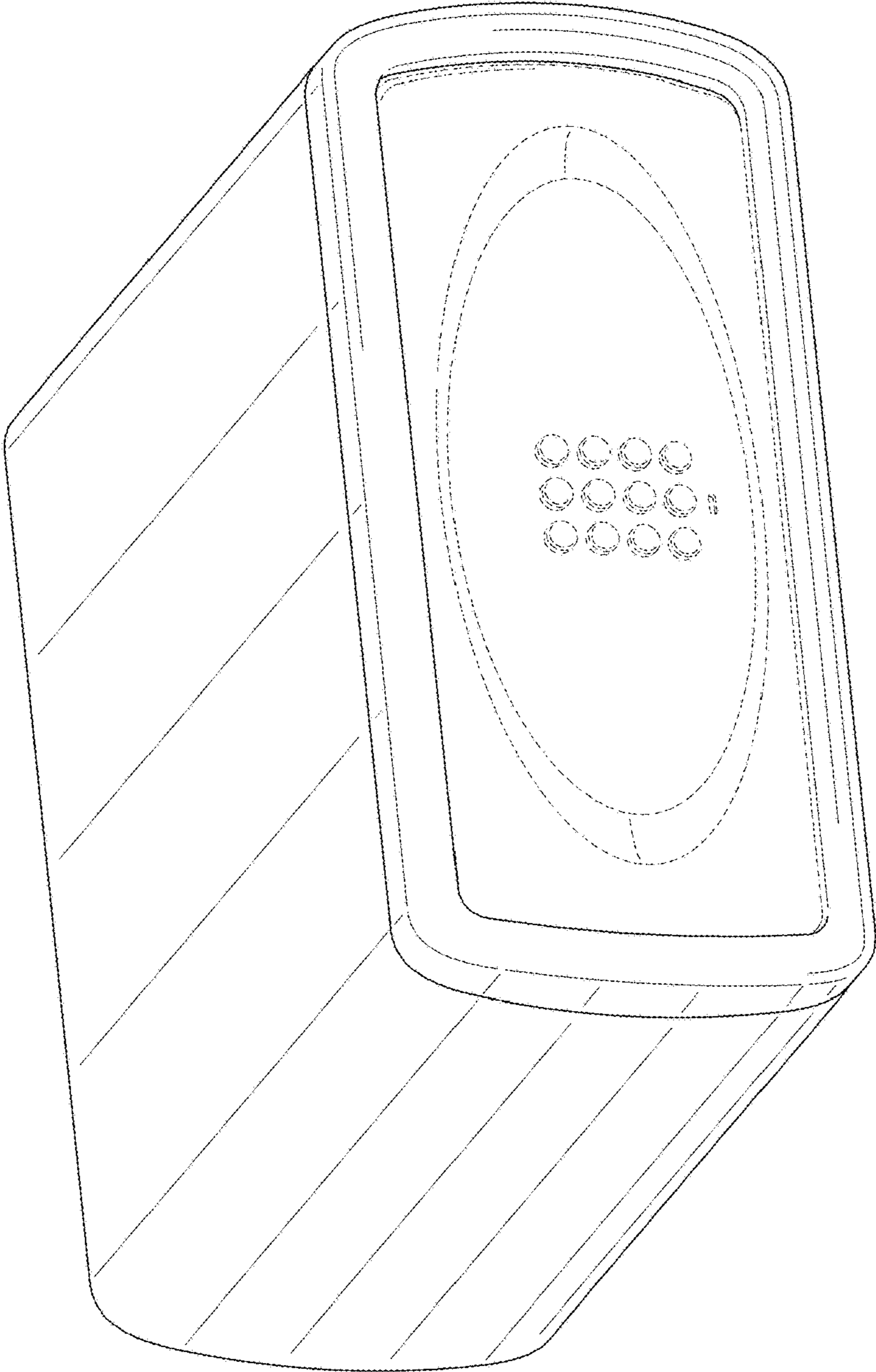


FIG. 8