

US00D849353S

(12) **United States Design Patent** (10) **Patent No.:** **US D849,353 S**  
**Fretz et al.** (45) **Date of Patent:** **\*\* May 21, 2019**

(54) **WINCH**  
(71) Applicant: **Warn Industries, Inc.**, Clackamas, OR (US)  
(72) Inventors: **Darren G. Fretz**, Oregon City, OR (US); **Thomas R. Paasch**, Milwaukie, OR (US)  
(73) Assignee: **WARN INDUSTRIES, INC.**, Clackamans, OR (US)

(\*\*) Term: **15 Years**

(21) Appl. No.: **29/617,225**

(22) Filed: **Sep. 12, 2017**

(51) **LOC (11) Cl.** ..... **12-05**

(52) **U.S. Cl.**  
USPC ..... **D34/33**

(58) **Field of Classification Search**  
USPC ..... D34/32, 33  
CPC ... B66D 1/14; B66D 1/38; B66D 1/28; B66D 1/04; B66D 1/22; B66D 1/39; B66D 1/7405; B66D 1/00; B66D 1/08; B66D 1/26; B66D 1/36; B66D 1/505; B66D 1/7484

See application file for complete search history.

(56) **References Cited**

**U.S. PATENT DOCUMENTS**

D489,157 S \* 4/2004 Lawson ..... D34/33  
D513,650 S \* 1/2006 Elliott ..... D34/33  
D550,923 S \* 9/2007 Huang ..... D34/33  
D550,924 S \* 9/2007 Huang ..... D34/33  
D555,874 S \* 11/2007 Elliott ..... D34/33  
D740,513 S \* 10/2015 Fretz ..... D34/33  
D744,189 S \* 11/2015 Fretz ..... D34/33

D754,584 S \* 4/2016 Fretz ..... D12/213  
D771,897 S \* 11/2016 Aho ..... D34/33  
D776,395 S \* 1/2017 Fretz ..... D34/33  
D799,143 S \* 10/2017 Cui ..... D34/33  
D799,144 S \* 10/2017 Cui ..... D34/33  
D799,779 S \* 10/2017 Aho ..... D34/33  
D803,138 S \* 11/2017 Fretz ..... D12/213  
D811,683 S \* 2/2018 Frazier ..... D34/33  
D811,684 S \* 2/2018 Fretz ..... D34/33  
D815,386 S \* 4/2018 August ..... D34/33  
D816,937 S \* 5/2018 Fretz ..... D34/33  
D816,938 S \* 5/2018 Fretz ..... D34/33  
2016/0096709 A1 \* 4/2016 Averill ..... B66D 1/12  
254/267  
2018/0127246 A1 \* 5/2018 Fretz ..... B66D 1/28  
2018/0170725 A1 \* 6/2018 August ..... B66D 1/14  
2018/0201486 A1 \* 7/2018 Huang ..... B66D 1/14  
2018/0201488 A1 \* 7/2018 Zheng ..... B66D 1/28

\* cited by examiner

*Primary Examiner* — Cynthia Ramirez

(74) *Attorney, Agent, or Firm* — K&L Gates LLP

(57) **CLAIM**

The ornamental design for a winch, as shown and described.

**DESCRIPTION**

FIG. 1 is a front perspective view of a winch showing our new design.

FIG. 2 is a front view of the winch of FIG. 1.

FIG. 3 is a back view of the winch of FIG. 1.

FIG. 4 is a left-side view of the winch of FIG. 1.

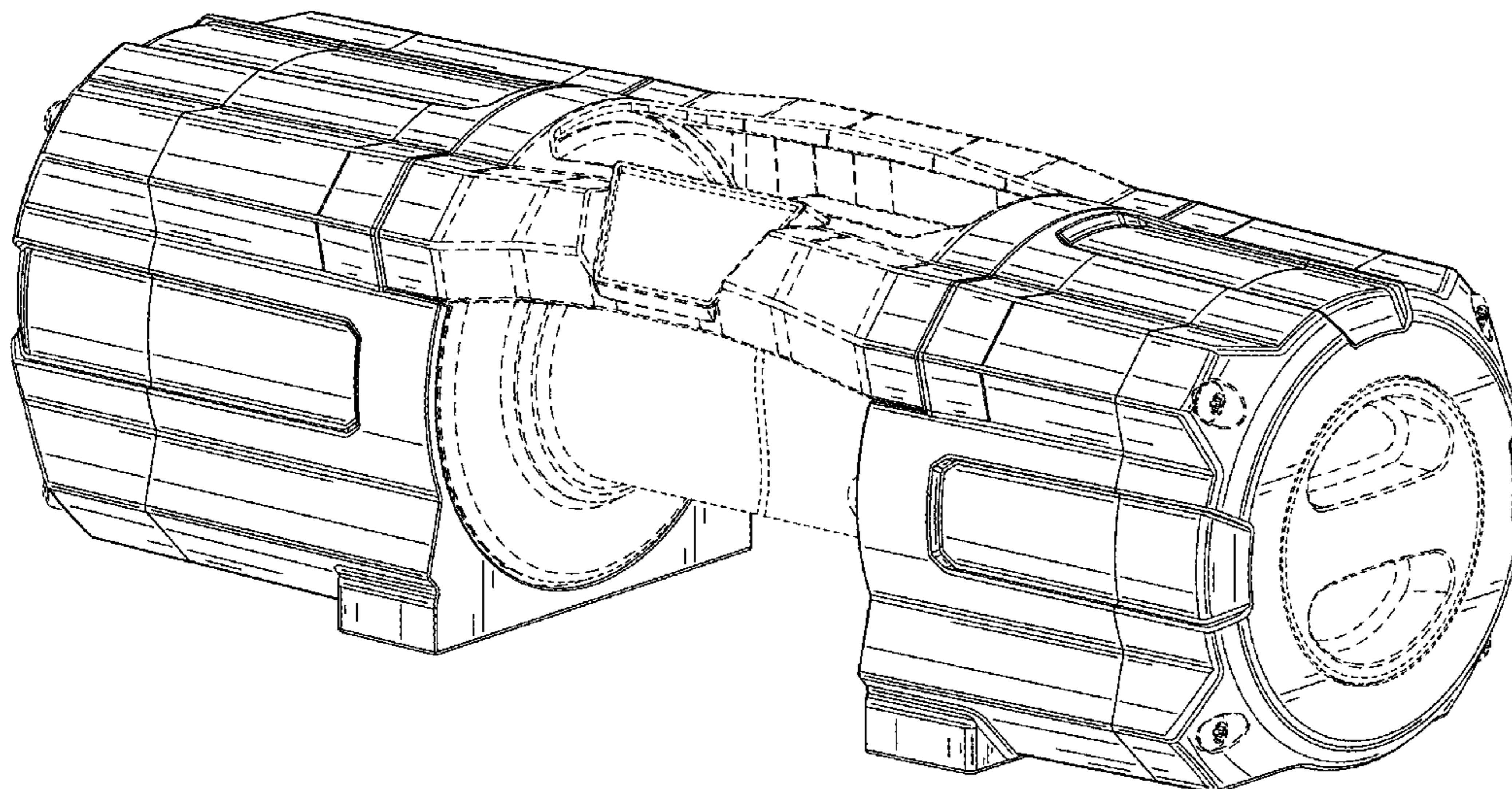
FIG. 5 is a right-side view of the winch of FIG. 1.

FIG. 6 is a top view of the winch of FIG. 1; and,

FIG. 7 is a bottom view of the winch of FIG. 1.

The broken lines in FIGS. 1 through 7 are included for the purpose of showing portions of the winch which are not part of the claimed design.

**1 Claim, 6 Drawing Sheets**



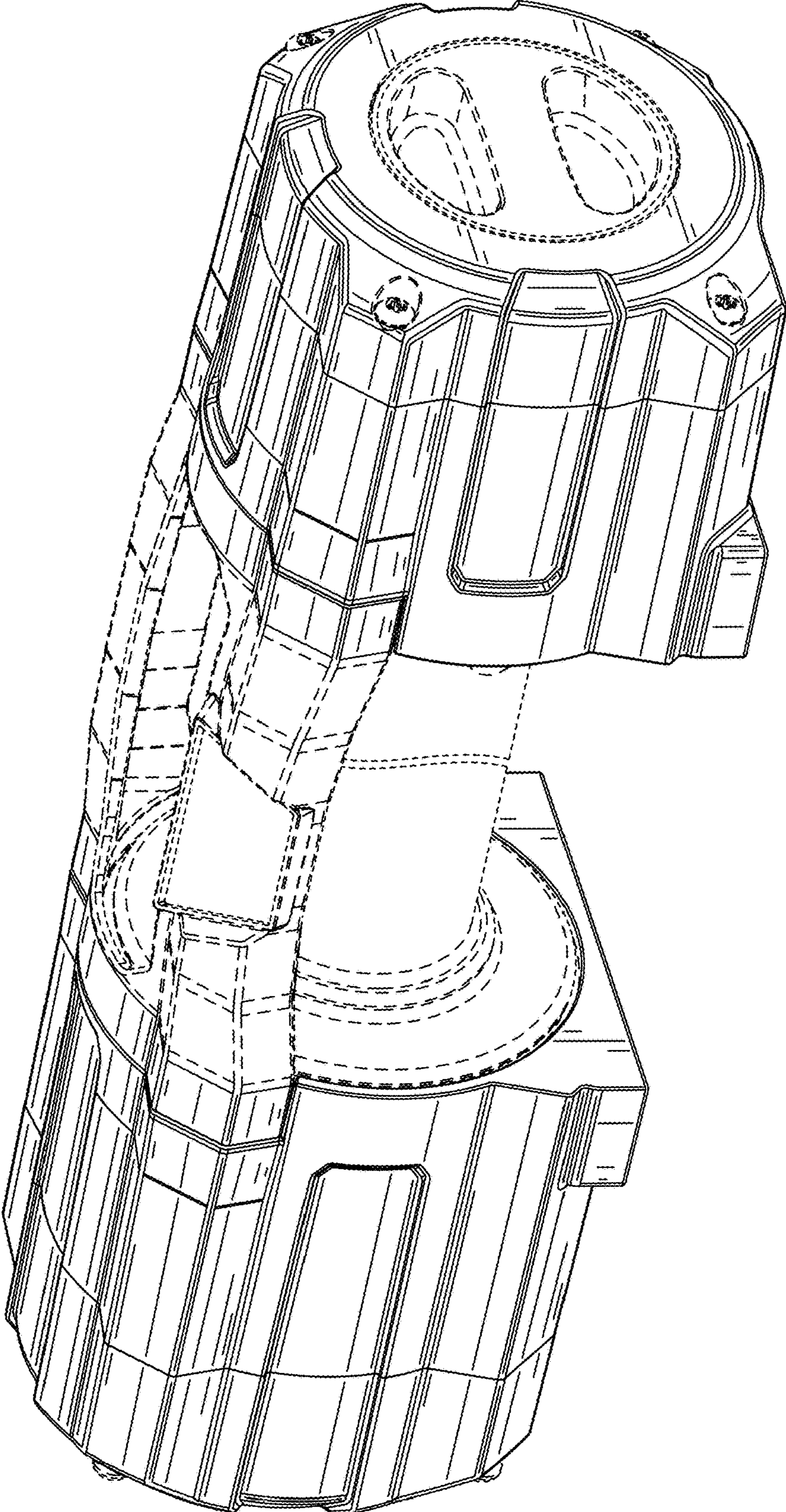


FIG. 1

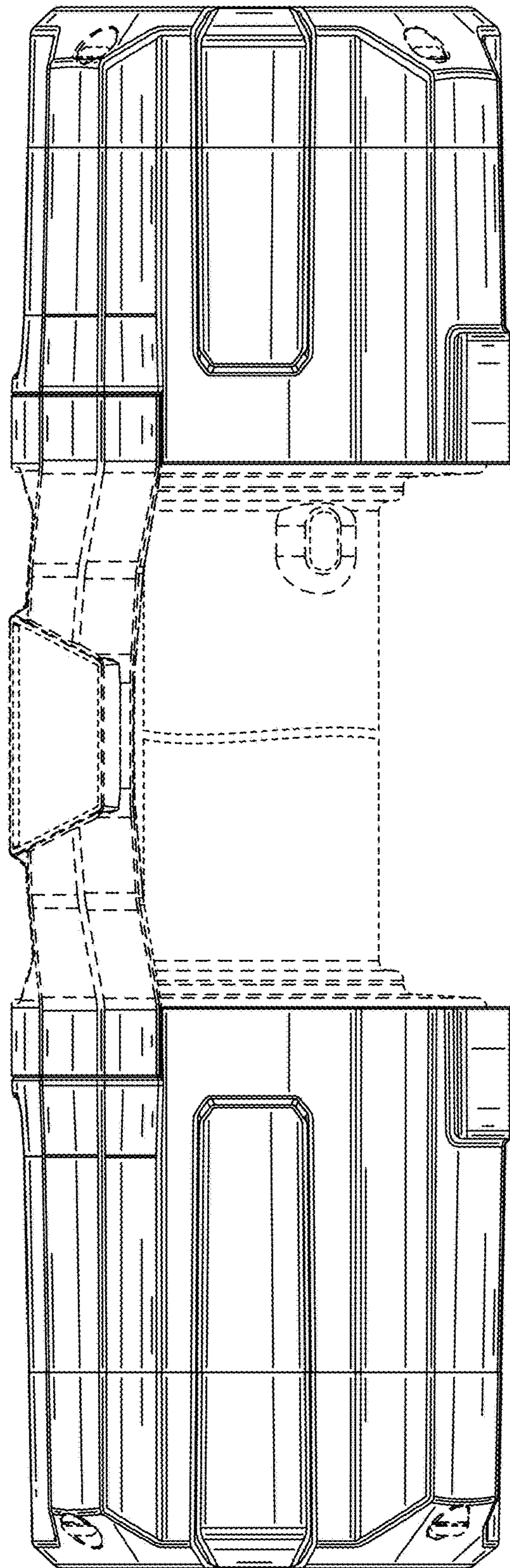


FIG. 2

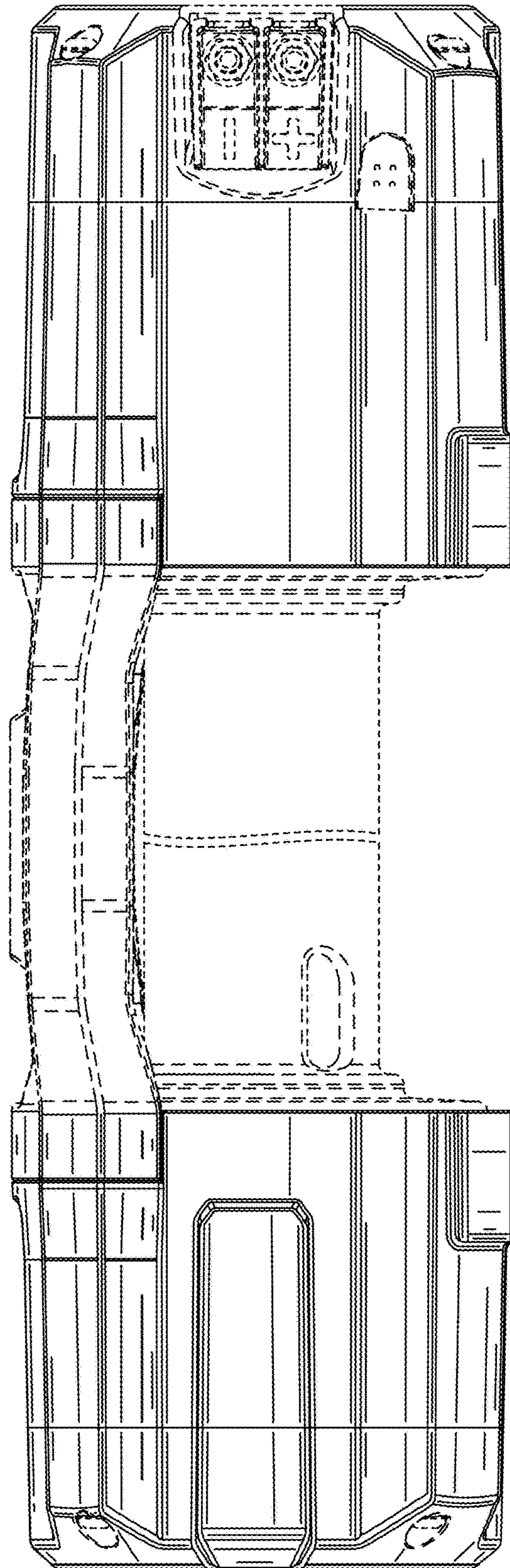


FIG. 3

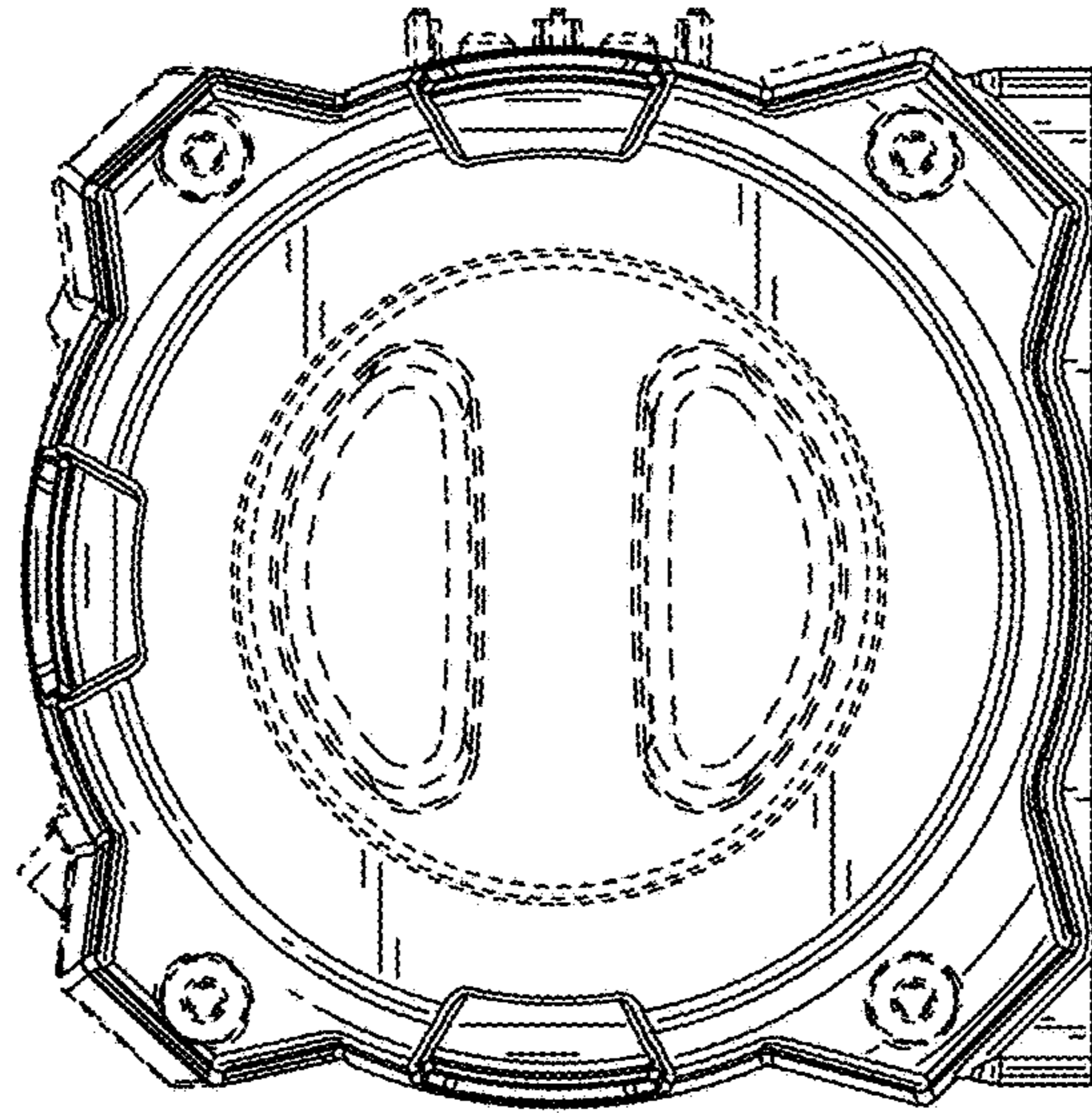


FIG. 5

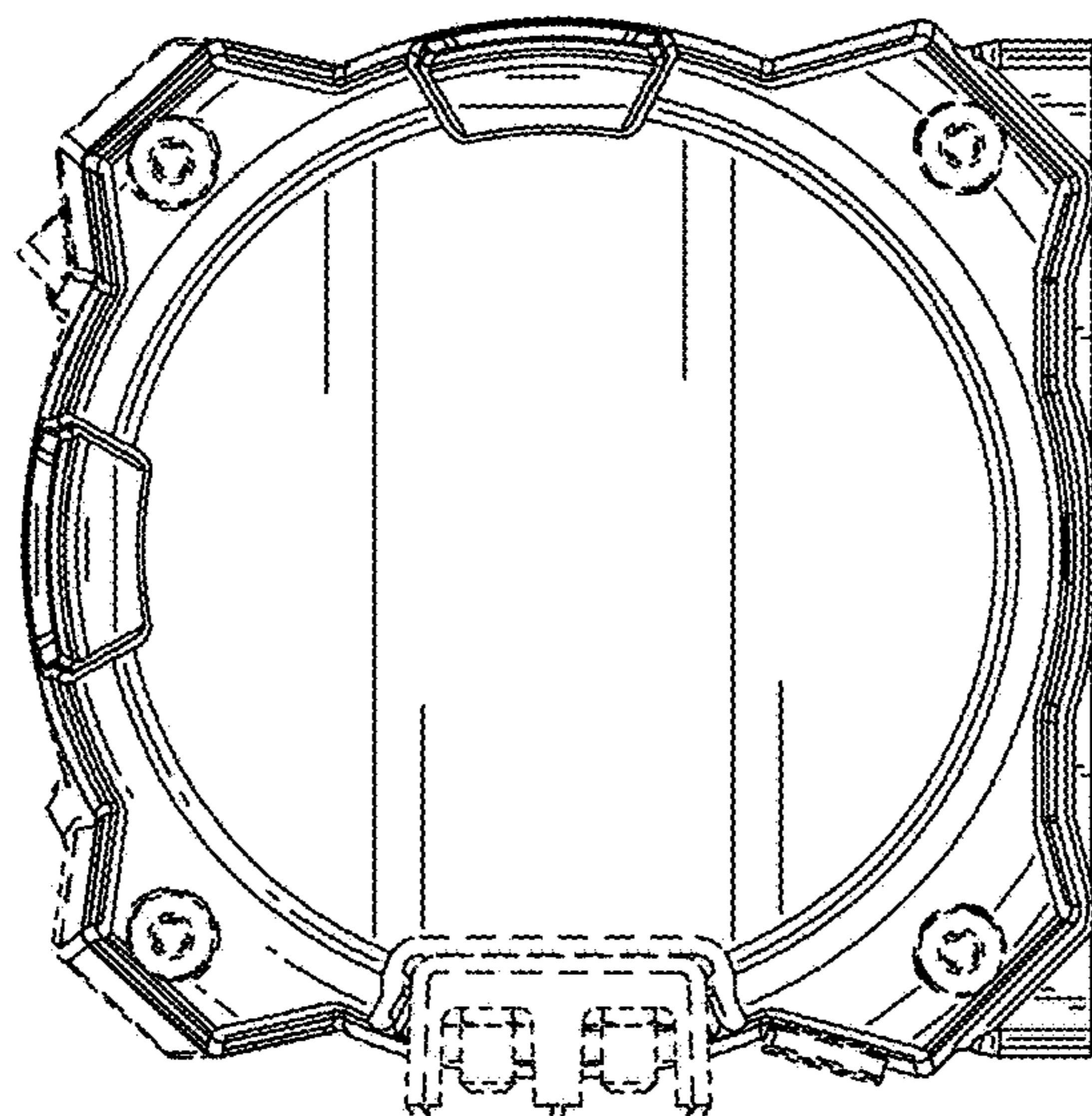


FIG. 4

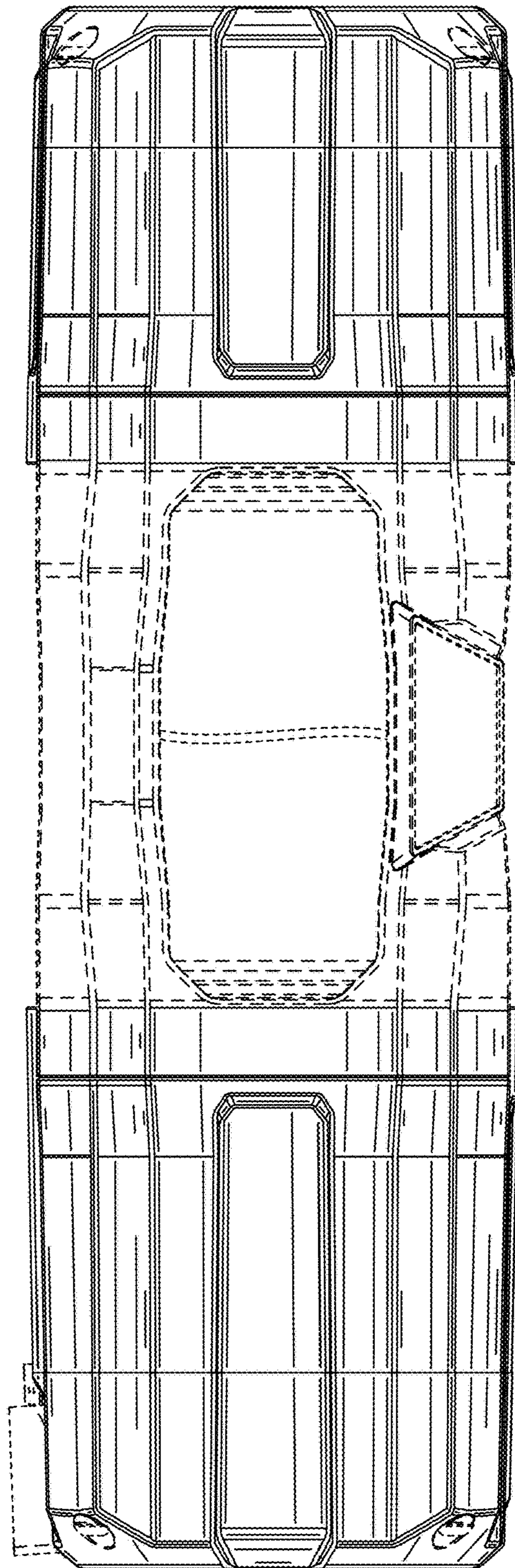


FIG. 6

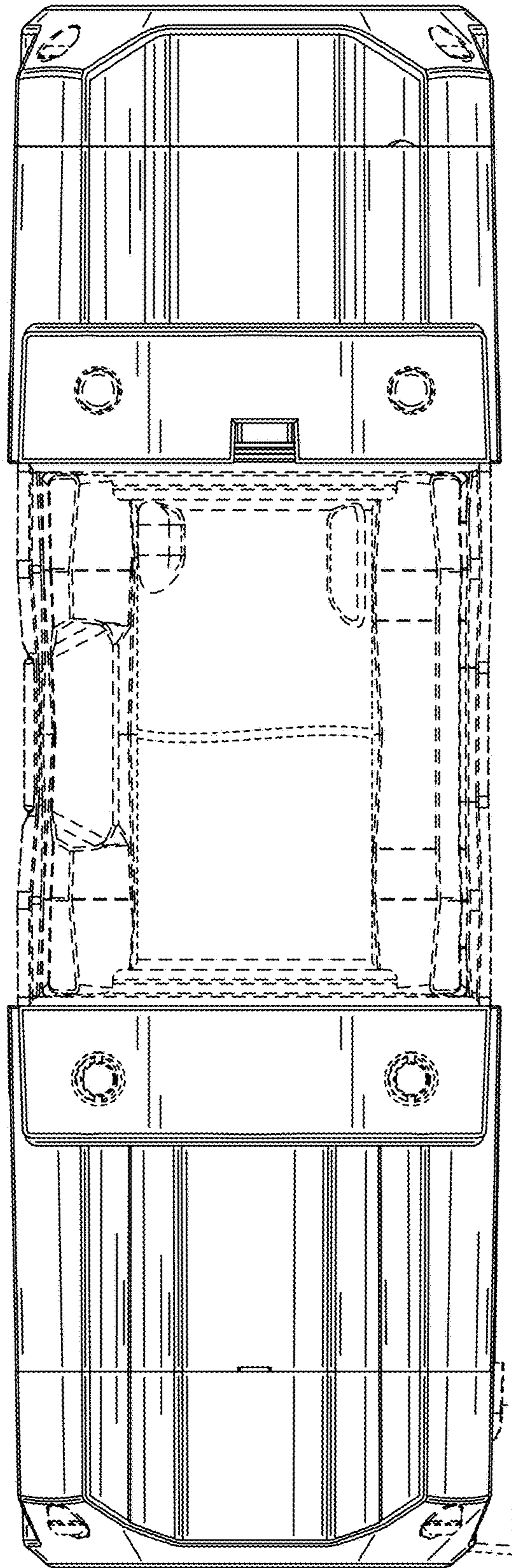


FIG. 7