



US00D849350S

(12) **United States Design Patent** (10) **Patent No.:** **US D849,350 S**
Smeets (45) **Date of Patent:** **** May 21, 2019**

(54) **BIN**
(71) Applicant: **Brabantia Nederland B.V.**,
Valkenswaard (NL)
(72) Inventor: **Joris Kristof Smeets**, Peer (BE)
(73) Assignee: **BRABANTIA NEDERLAND B.V.**,
Valkenswaard (NL)
(**) Term: **15 Years**

D329,111 S * 9/1992 Urquidi D34/1
D331,094 S * 11/1992 Sterett D23/202
D340,559 S * 10/1993 Taylor D34/1
D343,489 S * 1/1994 Friesen D23/203
D343,887 S * 2/1994 Shed D23/202
D351,268 S * 10/1994 Kittredge D34/5
D364,254 S * 11/1995 Nattrass D34/1
D381,158 S * 7/1997 Kane D34/1
D392,367 S * 3/1998 Foster D23/202
D393,693 S * 4/1998 Schollen D23/202
D401,720 S * 11/1998 Newquist D34/1
D507,089 S * 7/2005 Enayati D34/1

(Continued)

(21) Appl. No.: **29/611,461**
(22) Filed: **Jul. 21, 2017**

(30) **Foreign Application Priority Data**

Mar. 16, 2017 (EM) 003802354-0001

(51) **LOC (11) Cl.** **09-09**
(52) **U.S. Cl.**
USPC **D34/7**

(58) **Field of Classification Search**
USPC D23/202, 203, 207; D34/1, 2, 3, 4, 5, 6,
D34/7, 8, 9, 10, 11, 39; 220/252, 62.13,
220/484, 569, 4.04, 703, 737, 748, 908,
220/908.1, 908.2, 909, 495.08, 211, 262,
220/263, 212; D9/737, 738, 770, 772,
D9/777, 778

CPC .. B65F 1/004; B65F 1/1473; B65F 2240/138;
B62B 2202/20

See application file for complete search history.

(56) **References Cited**

U.S. PATENT DOCUMENTS

D229,279 S * 11/1973 Kay et al. D34/1
3,793,756 A * 2/1974 Kay B65F 1/1426
220/908
3,803,738 A * 4/1974 Weiss B65F 1/1426
220/210
D234,288 S * 2/1975 Kay D34/1
D271,980 S * 12/1983 Gemmill D16/247

OTHER PUBLICATIONS

Amazon, "Brabantia 316227 Bo Trash Can", Jul. 27, 2018. https://www.amazon.com/Brabantia-316227-Trash-Matt-Steel/dp/B073ZL12NG/ref=cm_cr_arp_d_product_top?ie=UTF8. Shown on p. 1. (Year: 2018).*

Primary Examiner — Cynthia Ramirez
Assistant Examiner — Michael A Maharajh
(74) *Attorney, Agent, or Firm* — Abelman, Frayne & Schwab

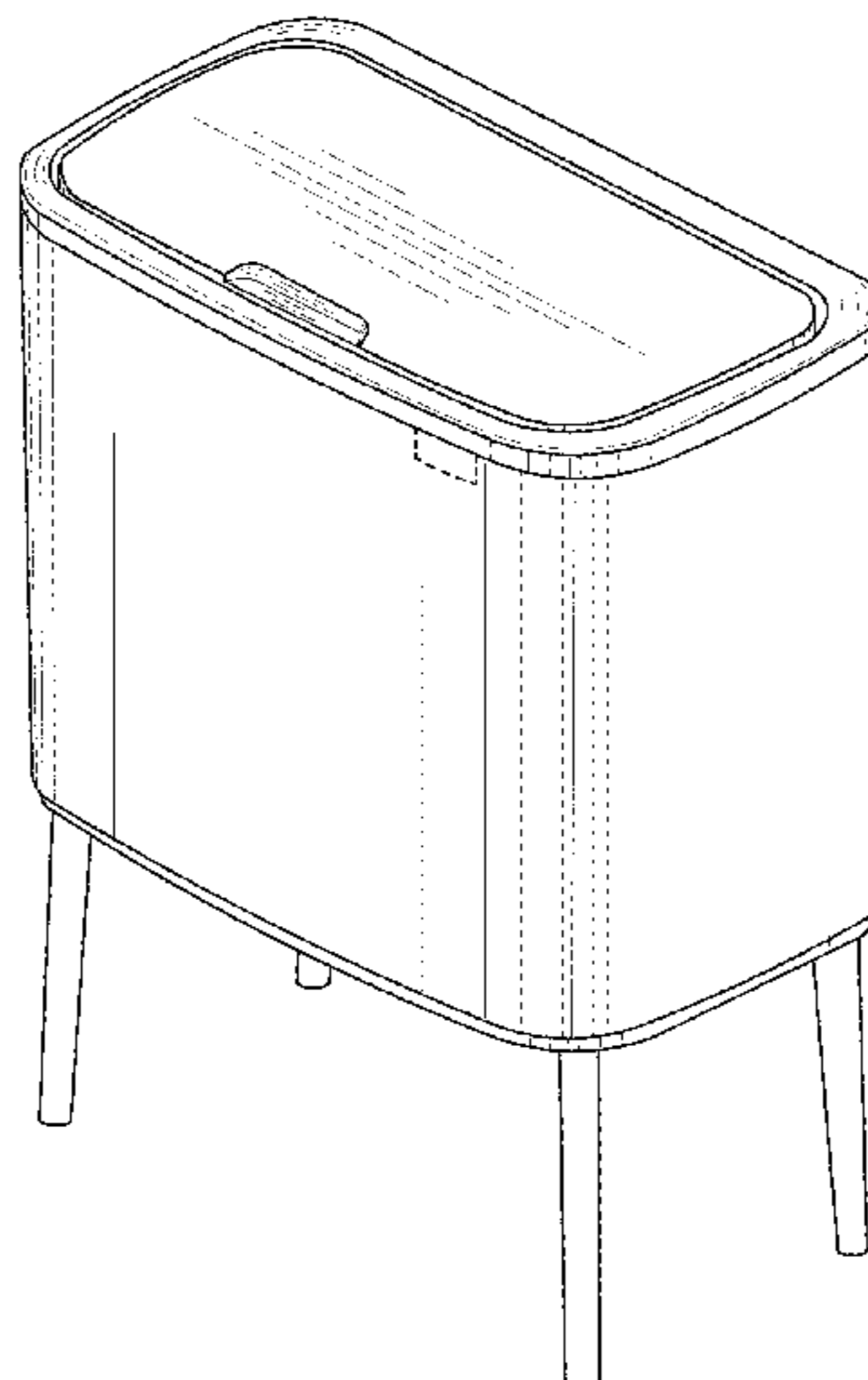
(57) **CLAIM**

The ornamental design for a bin, as shown and described.

DESCRIPTION

FIG. 1 is a top, front, and right side perspective view of a bin, according to the present invention;
FIG. 2 is a front view thereof;
FIG. 3 is a rear view thereof;
FIG. 4 is a right side view thereof;
FIG. 5 is a left side view thereof;
FIG. 6 is a top view thereof; and,
FIG. 7 is a bottom view thereof.
The broken lines shown in the figures are for the purpose of illustrating portions of the bin which form no part of the claimed design.

1 Claim, 7 Drawing Sheets



(56)

References Cited

U.S. PATENT DOCUMENTS

7,073,677 B2 * 7/2006 Richardson B65F 1/02
220/4.32
D533,702 S * 12/2006 Messier D34/7
D534,327 S * 12/2006 Messier D34/1
D535,447 S * 1/2007 Olivetti D34/1
D655,221 S * 3/2012 Adams D11/155
D762,936 S * 8/2016 Tuncel D34/7
D766,537 S * 9/2016 Thuma D34/7
D766,538 S * 9/2016 Thuma D34/7
D771,343 S * 11/2016 Colwell D34/6
D785,892 S * 5/2017 Lee D34/7
D830,892 S * 10/2018 Itzhak-Sigron D11/155
D831,532 S * 10/2018 Larsen D11/143

* cited by examiner

FIG. 1

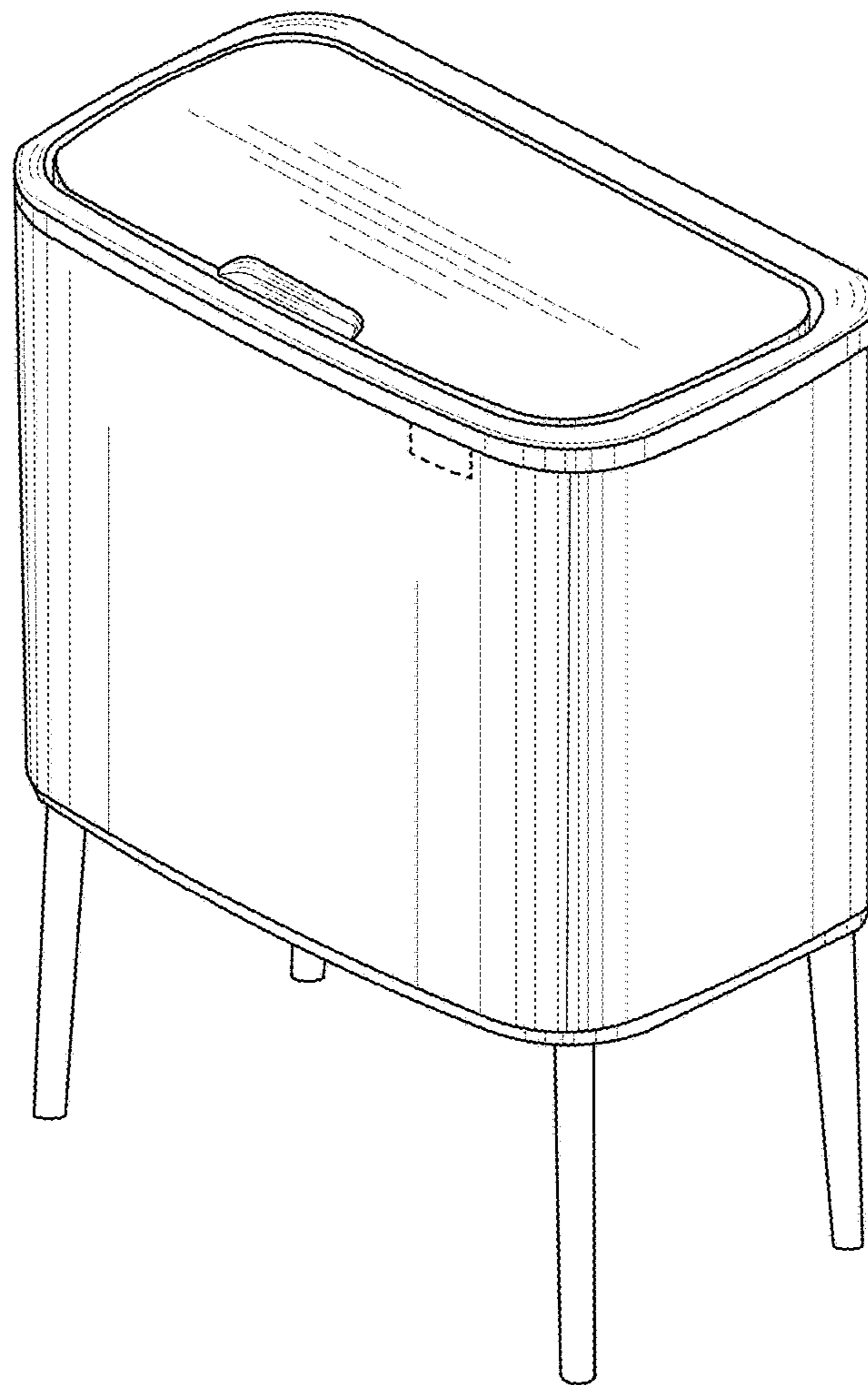


FIG. 2

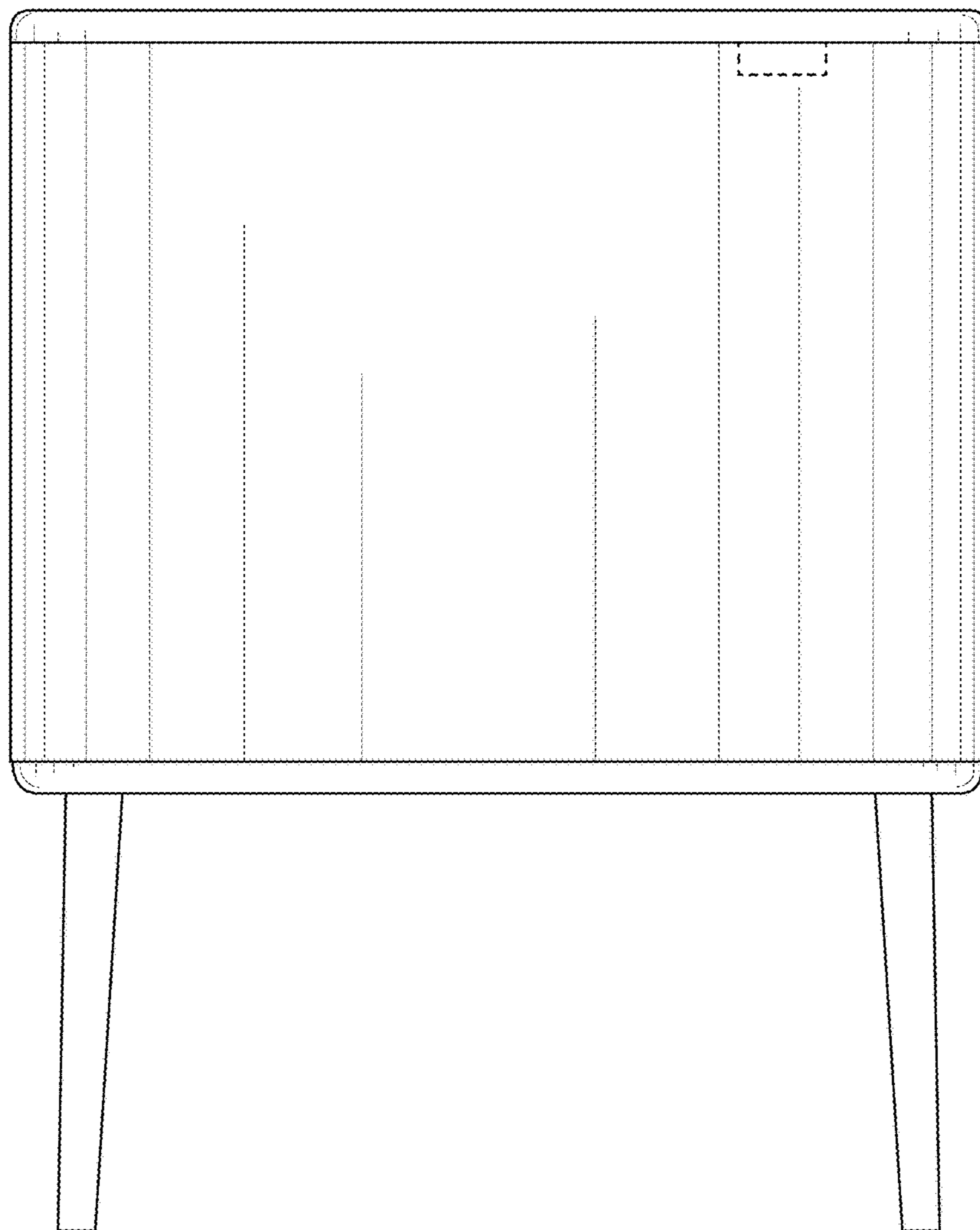


FIG. 3

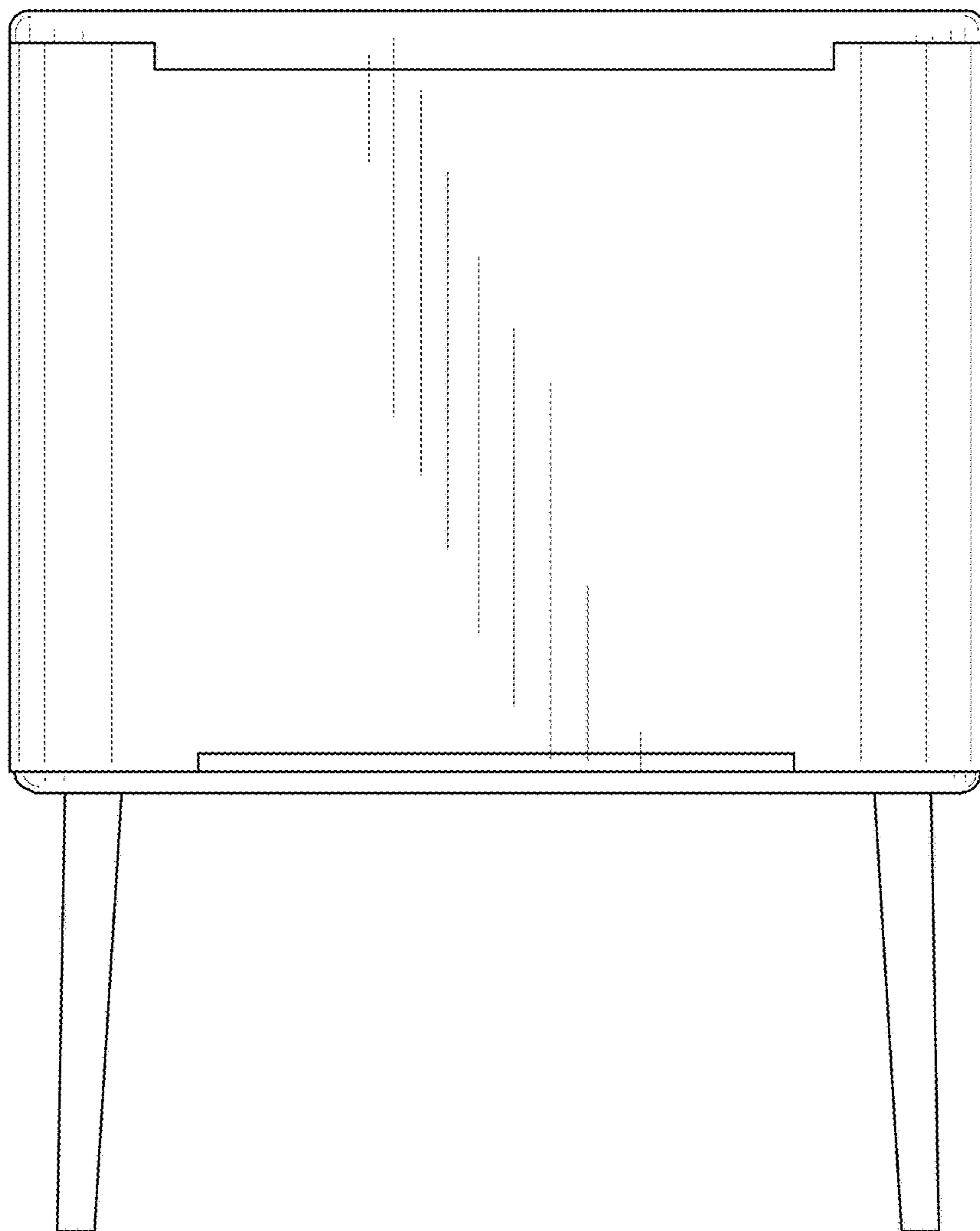


FIG. 4

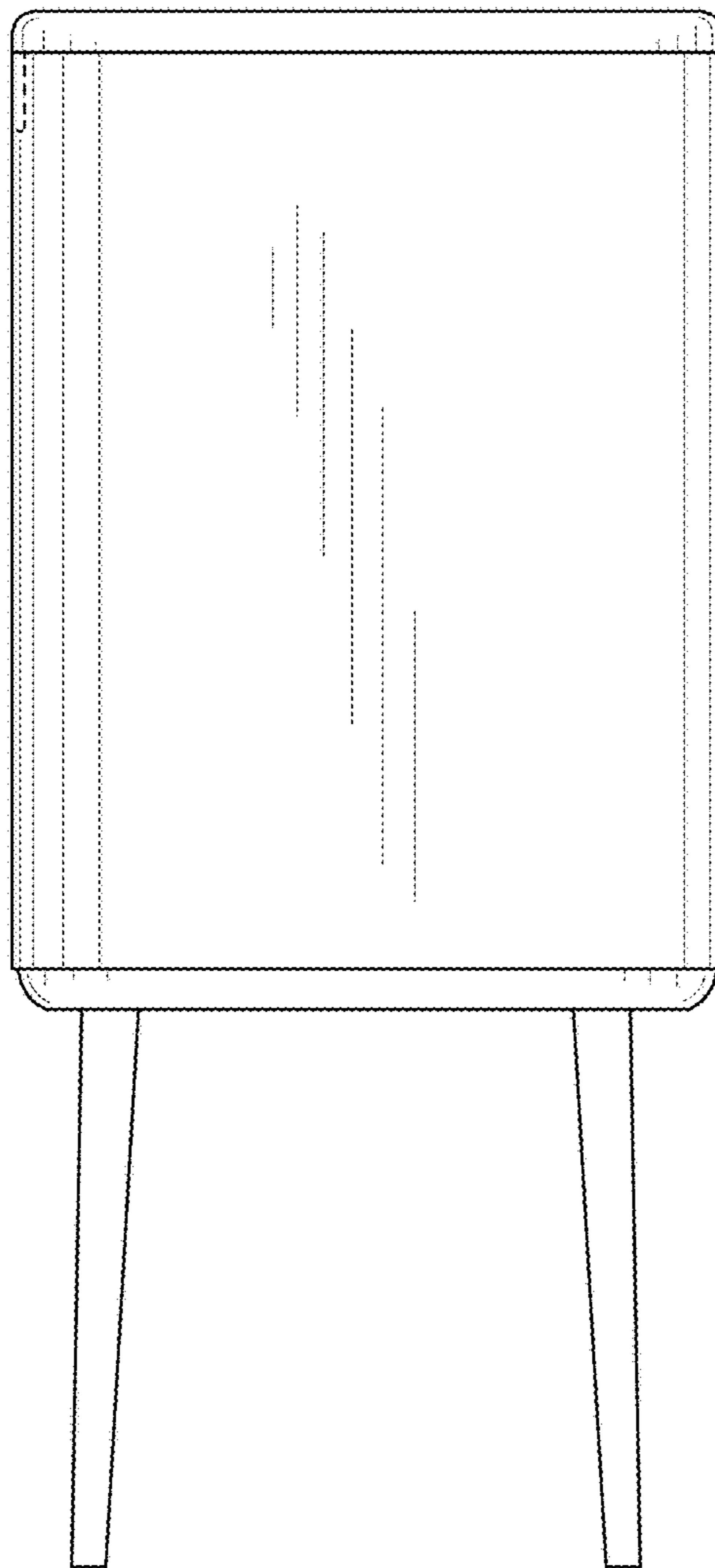


FIG. 5

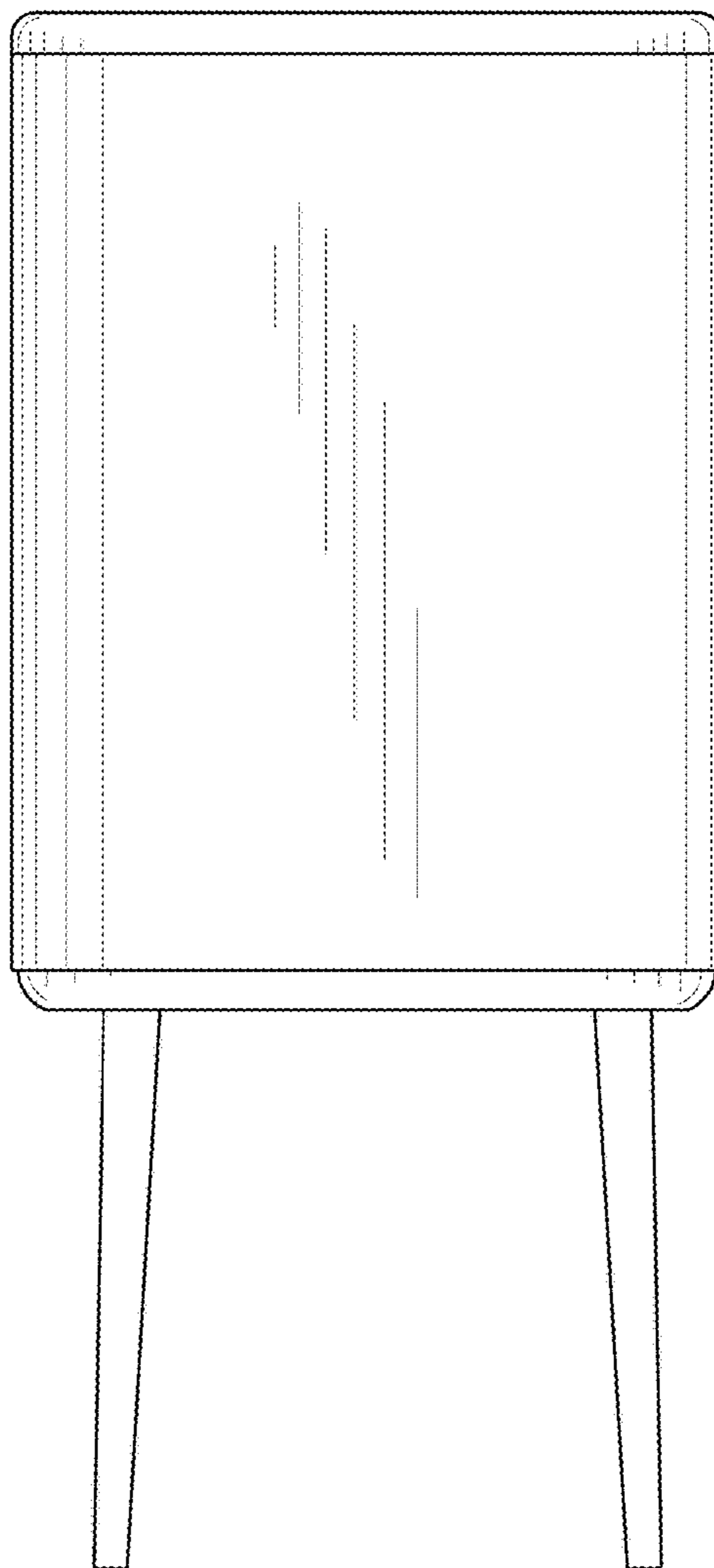


FIG. 6

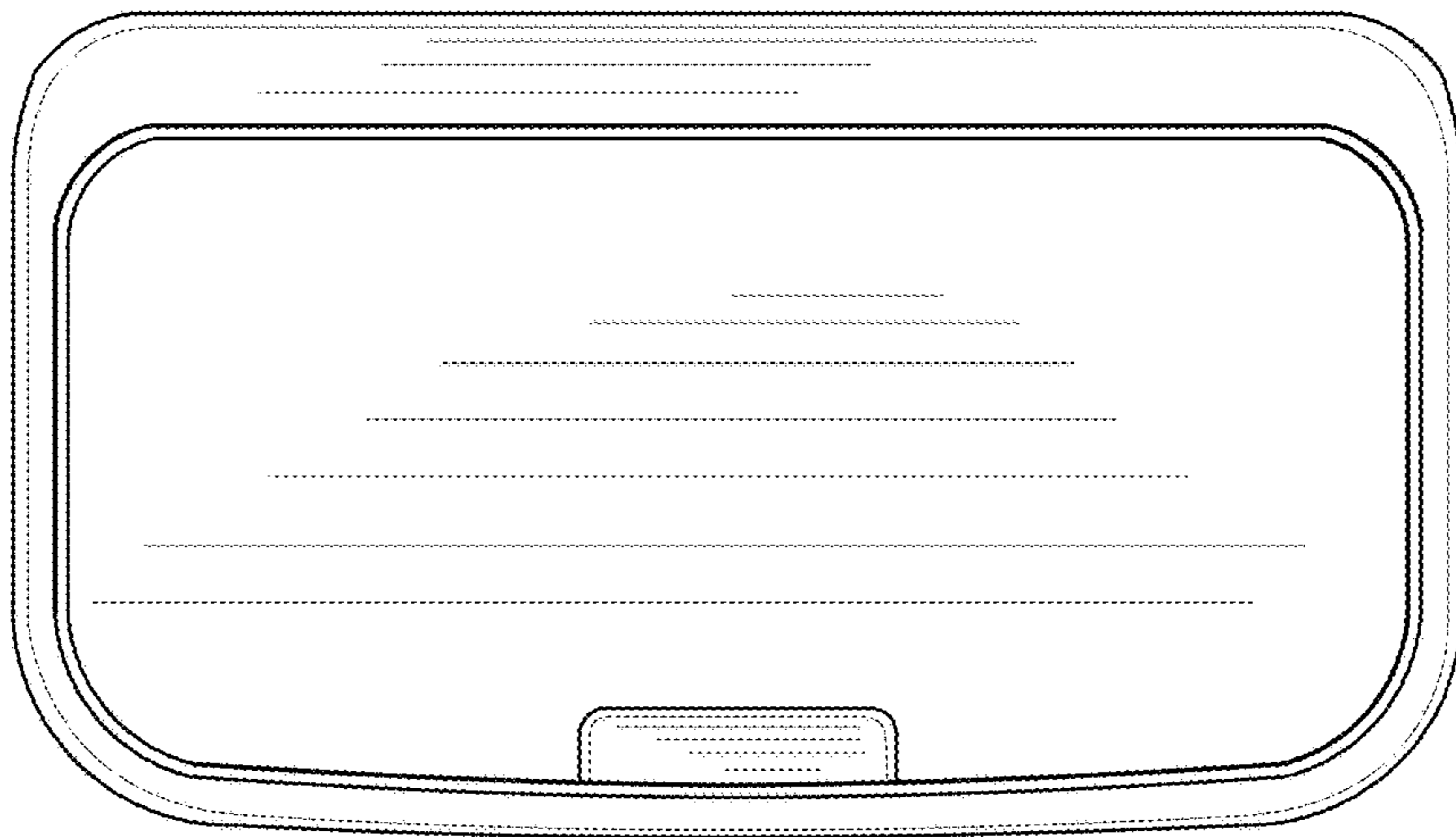


FIG. 7

