



US00D849348S

(12) **United States Design Patent**
Cramer

(10) **Patent No.:** **US D849,348 S**

(45) **Date of Patent:** **** May 21, 2019**

(54) **FOOT-WORN SCRUBBING DEVICE**

(71) Applicant: **Ulrike Cramer**, Clearwater, FL (US)

(72) Inventor: **Ulrike Cramer**, Clearwater, FL (US)

(**) Term: **15 Years**

(21) Appl. No.: **29/642,981**

(22) Filed: **Apr. 3, 2018**

(51) **LOC (11) Cl.** **07-05**

(52) **U.S. Cl.**

USPC **D32/40**

(58) **Field of Classification Search**

USPC D2/917, 946-947; D32/15, 40-43, 46-47

CPC A47L 13/17; A47L 13/20; A47L 13/254;

A47L 13/16; A47L 13/12; A47L 13/10;

A47L 1/06; B08B 3/00; B32B 5/02;

B24B 7/18

See application file for complete search history.

(56) **References Cited**

U.S. PATENT DOCUMENTS

1,287,487 A * 12/1918 Smith 15/224

2,571,606 A * 10/1951 Peterson A47L 13/282

15/227

D181,542 S * 11/1957 Kiyochi et al. D2/917

(Continued)

FOREIGN PATENT DOCUMENTS

CN 30252513 * 8/2013

OTHER PUBLICATIONS

Foot Shaped Bath Sponge Product on Alibaba.com website copy-right 2018, https://www.alibaba.com/product-detail/lightweight-colorful-foot-shaped-bath-sponge_60766308775.html?spm=a2700.7724857.normalList.6.771921d9Apz5y&s=p, visited Dec. 10, 2018.*

(Continued)

Primary Examiner — John Windmuller

Assistant Examiner — John R Yeh

(74) *Attorney, Agent, or Firm* — Larson & Larson, P.A.; Frank Liebenow; Justin P. Miller

(57) **CLAIM**

The ornamental design for a foot-worn scrubbing device, as shown and described.

DESCRIPTION

FIG. 1 is a perspective view of a foot-worn scrubbing device showing my new design;

FIG. 2 is a front elevation view thereof;

FIG. 3 is a rear elevation view thereof;

FIG. 4 is a right side elevation view thereof;

FIG. 5 is a left side elevation view thereof;

FIG. 6 is a top plan view thereof;

FIG. 7 is a bottom plan view thereof showing a scratch-pad bottom material;

FIG. 8 shows a perspective view of a second embodiment of my claimed design as depicted in FIGS. 1-7, the difference consisting of a sponge bottom material instead of the scratch-pad bottom material;

FIG. 9 is a front elevation view thereof;

FIG. 10 is a rear elevation view thereof;

FIG. 11 is a right side elevation view thereof;

FIG. 12 is a left side elevation view thereof;

FIG. 13 is a top plan view thereof;

FIG. 14 is a bottom plan view thereof showing the sponge bottom material;

FIG. 15 shows a perspective view of a third embodiment of my claimed design as depicted in FIGS. 1-7, the difference consisting of a cloth bottom material instead of the scratch-pad bottom material;

FIG. 16 is a front elevation view thereof;

FIG. 17 is a rear elevation view thereof;

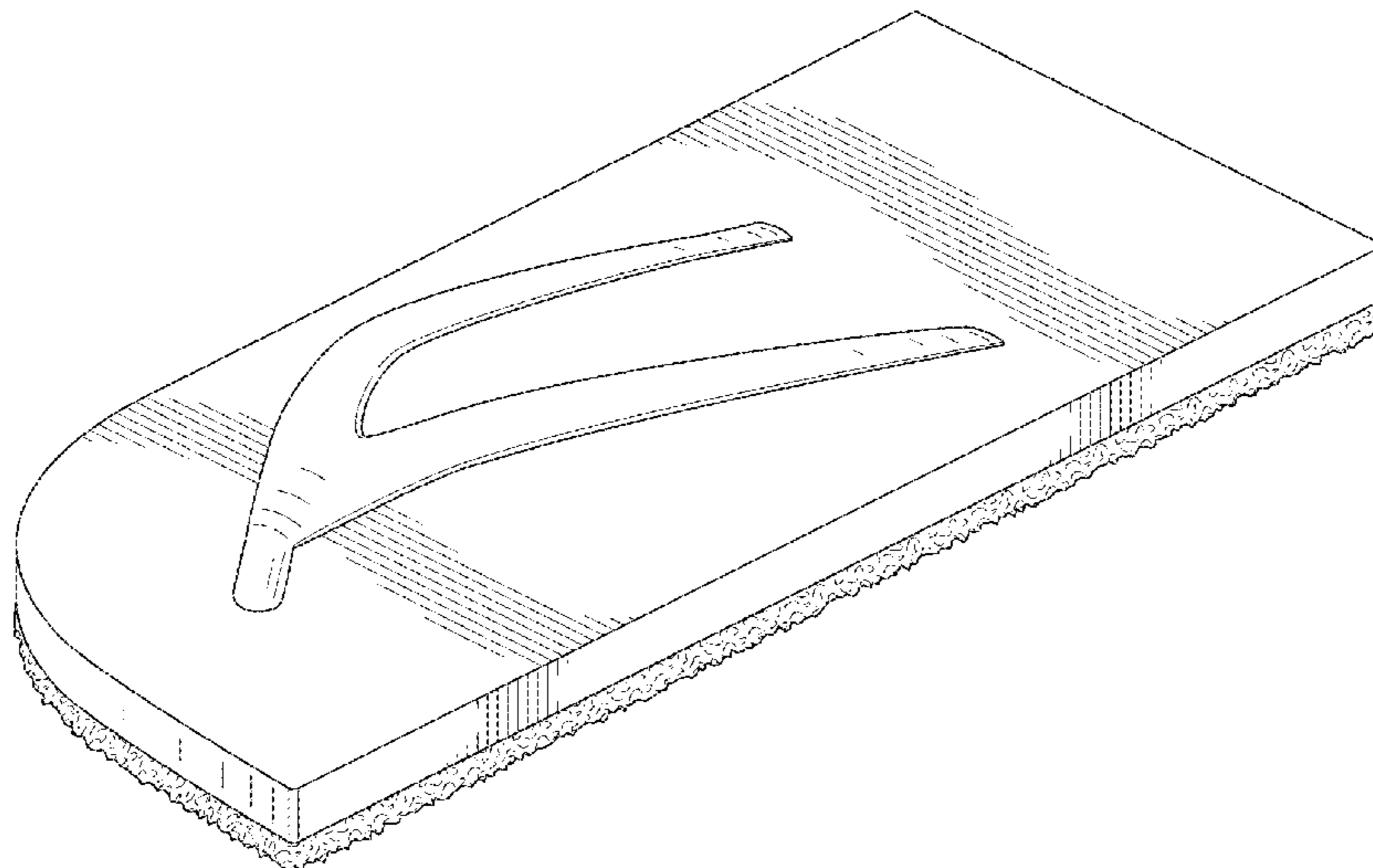
FIG. 18 is a right side elevation view thereof;

FIG. 19 is a left side elevation view thereof;

FIG. 20 is a top plan view thereof; and,

FIG. 21 is a bottom plan view thereof showing the cloth bottom material thereof.

1 Claim, 15 Drawing Sheets



(56)

References Cited

U.S. PATENT DOCUMENTS

3,121,962 A * 2/1964 Gullo A43B 3/128
36/11.5
3,359,591 A * 12/1967 McGuire A47L 13/23
15/210.1
3,362,775 A * 1/1968 Muecke A47L 13/282
15/227
4,643,725 A * 2/1987 Schlessner A45D 37/00
401/8
5,613,897 A * 3/1997 Thompson, Jr. A47L 13/282
134/6
D425,680 S * 5/2000 Payne D2/898
6,446,300 B1 * 9/2002 Sleezer A47L 13/282
15/227
D546,011 S * 7/2007 Favuzzi D32/40
D553,677 S * 10/2007 Snyder D19/108
D573,797 S * 7/2008 Guillaume D4/119
D618,874 S * 6/2010 Hagan D32/40
8,060,974 B2 * 11/2011 McLogan A43B 3/00
15/227

D653,455 S * 2/2012 Cynewski D2/898
8,528,150 B1 * 9/2013 Mellott A47L 13/16
15/227
D719,312 S * 12/2014 Monroe D32/40
D787,832 S * 5/2017 Ferguson D2/946
2004/0040110 A1 * 3/2004 Fletcher A47L 13/282
15/227
2005/0166943 A1 * 8/2005 Owens A47L 13/16
134/6
2005/0177968 A1 * 8/2005 Ramson A43B 3/00
15/227
2012/0284942 A1 * 11/2012 Gavney, Jr. A46B 9/005
15/121

OTHER PUBLICATIONS

Polyester Microfiber Mop Slipper, DHGate website 2018, <https://www.dhgate.com/store/product/polyester-microfiber-solid-dust-cleaner-cleaning/407824413.html>, site visited Dec. 17, 2018.*

* cited by examiner

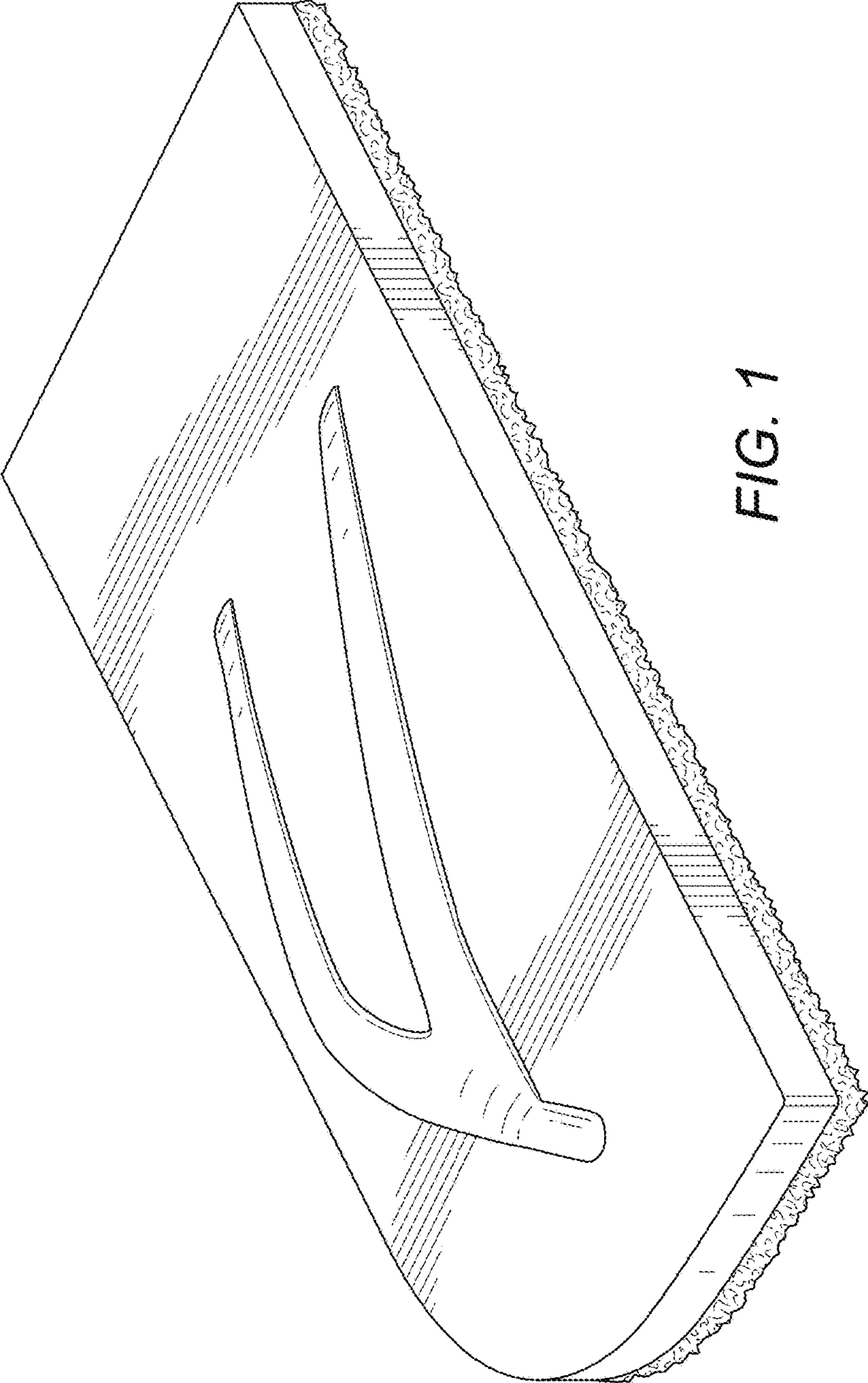


FIG. 1

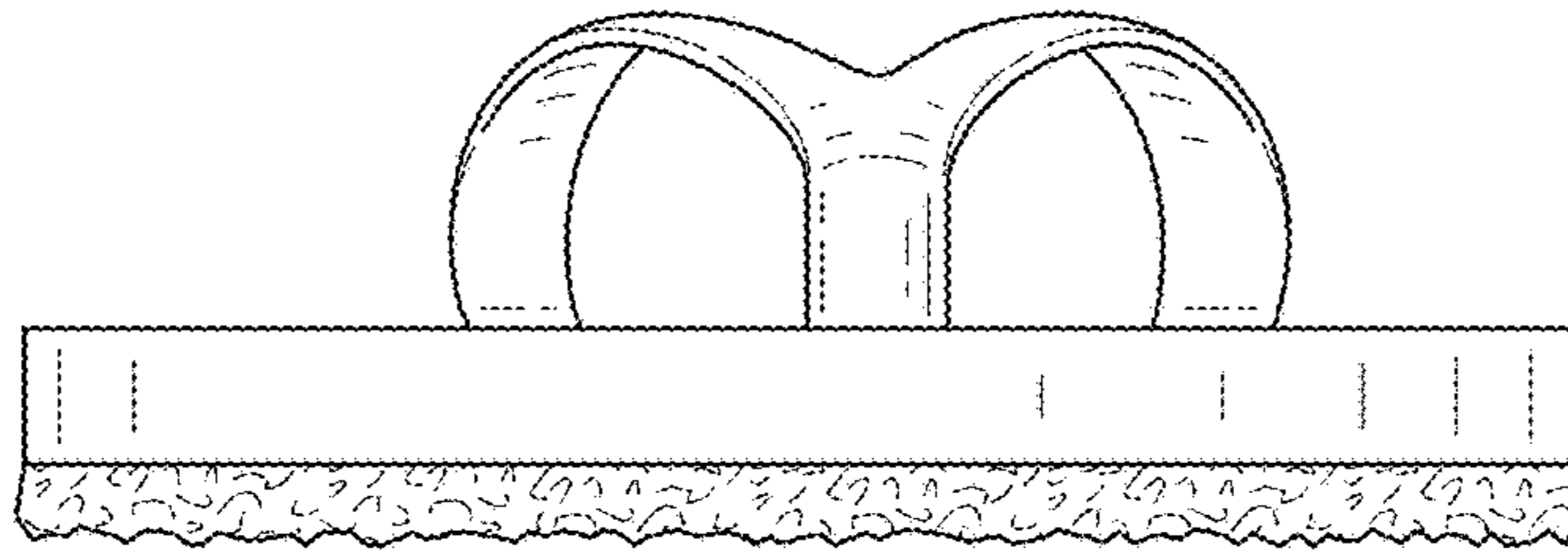


FIG. 2

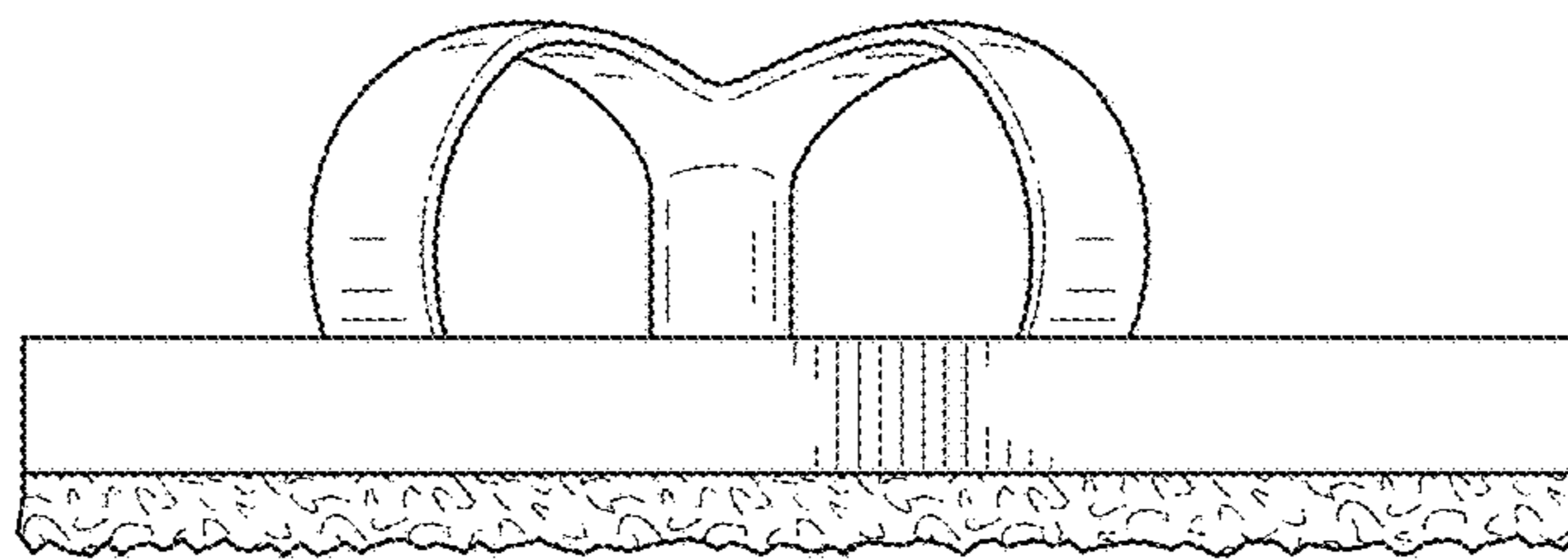


FIG. 3

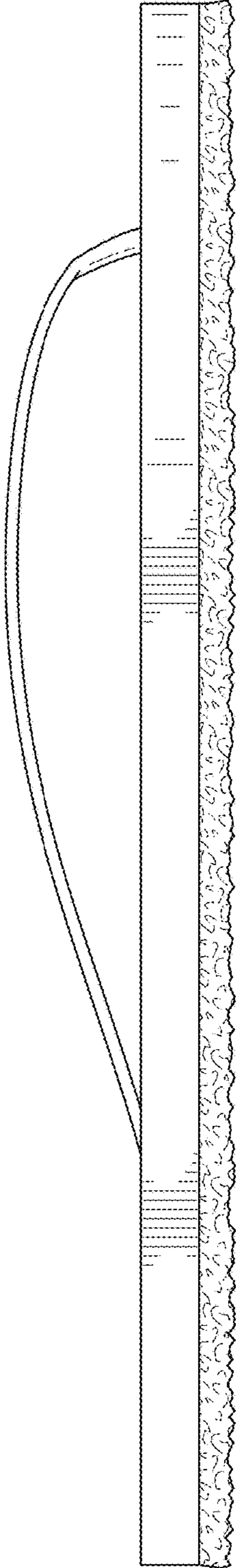


FIG. 4

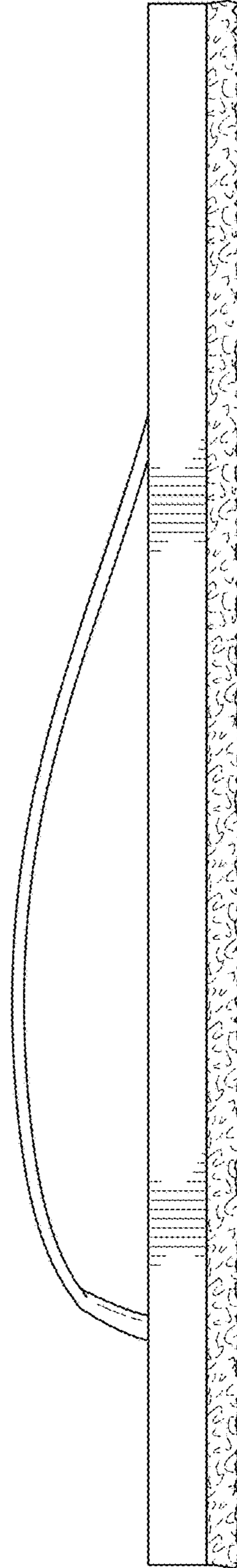


FIG. 5

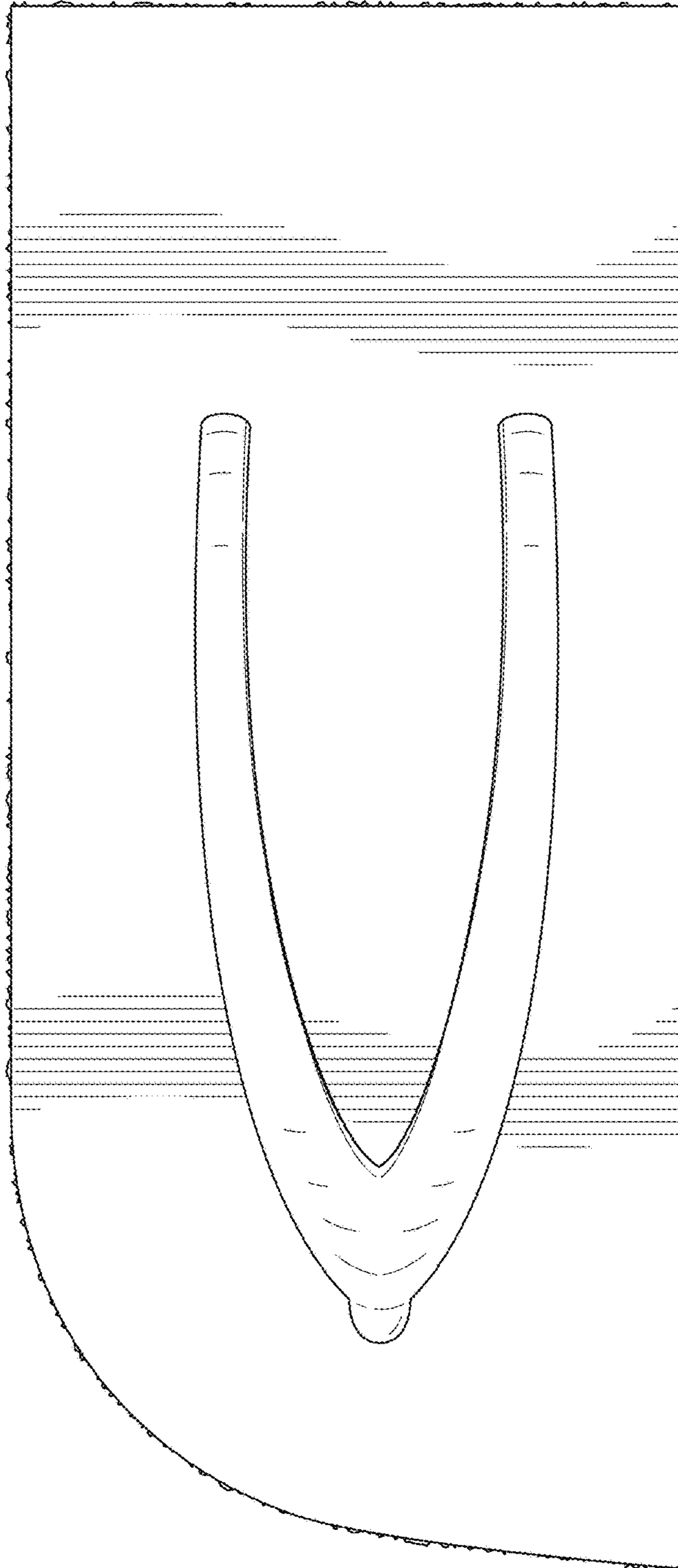


FIG. 6

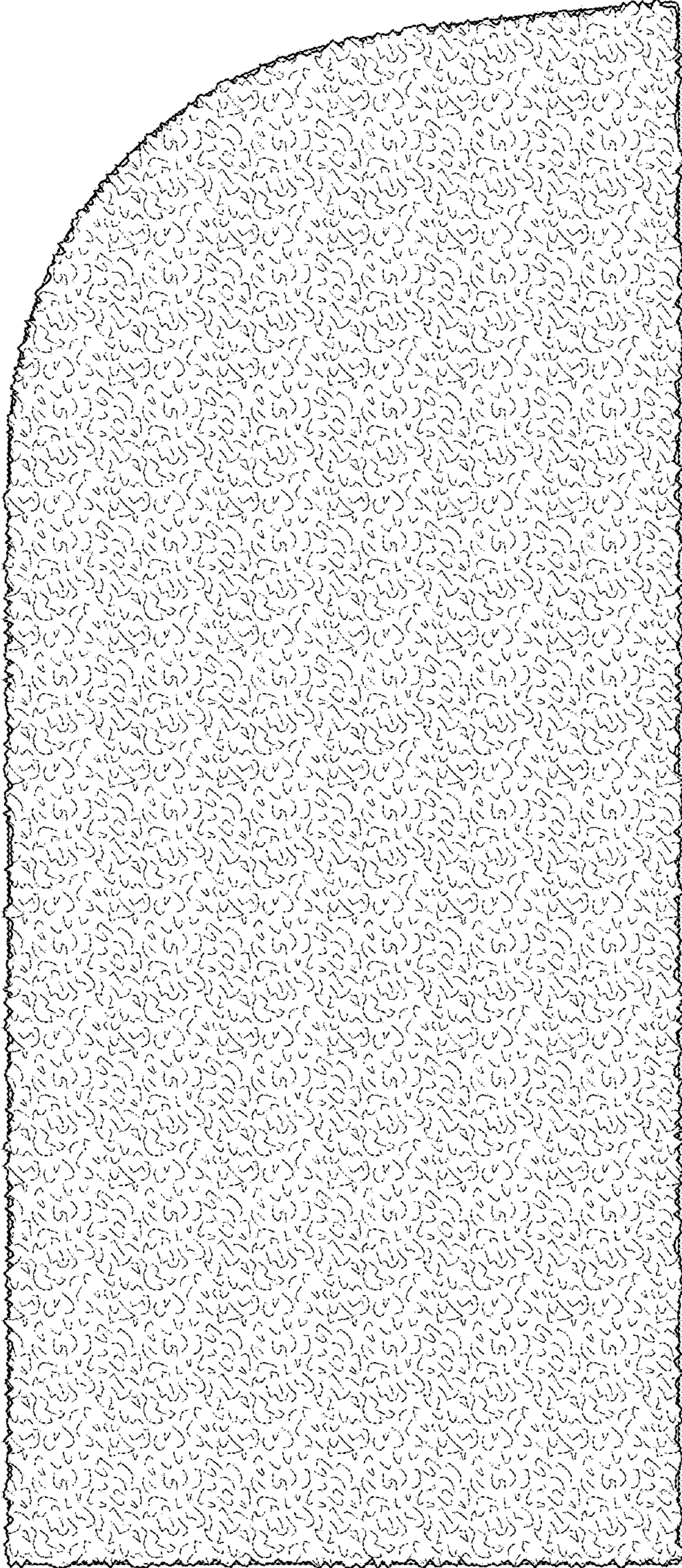
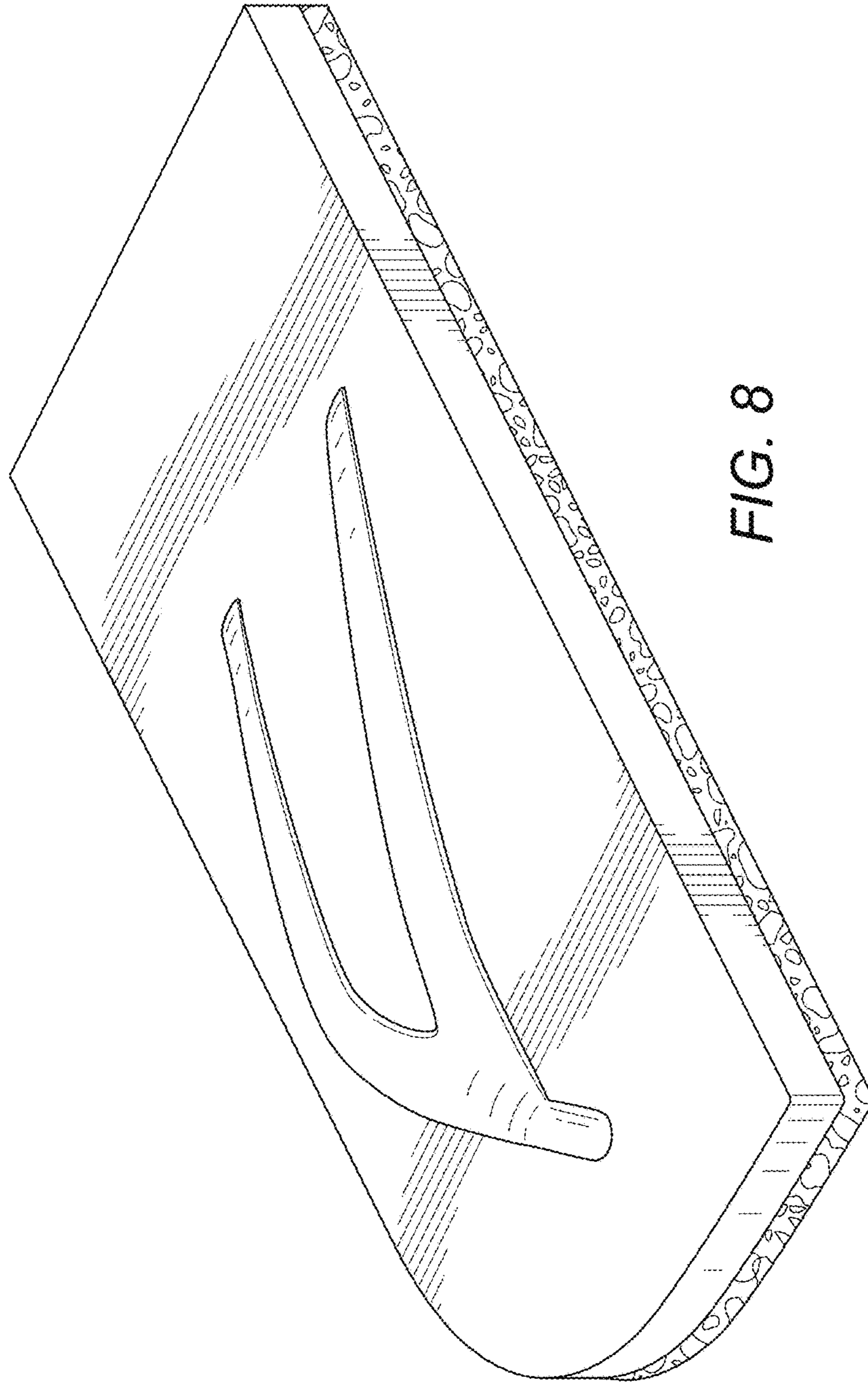


FIG. 7



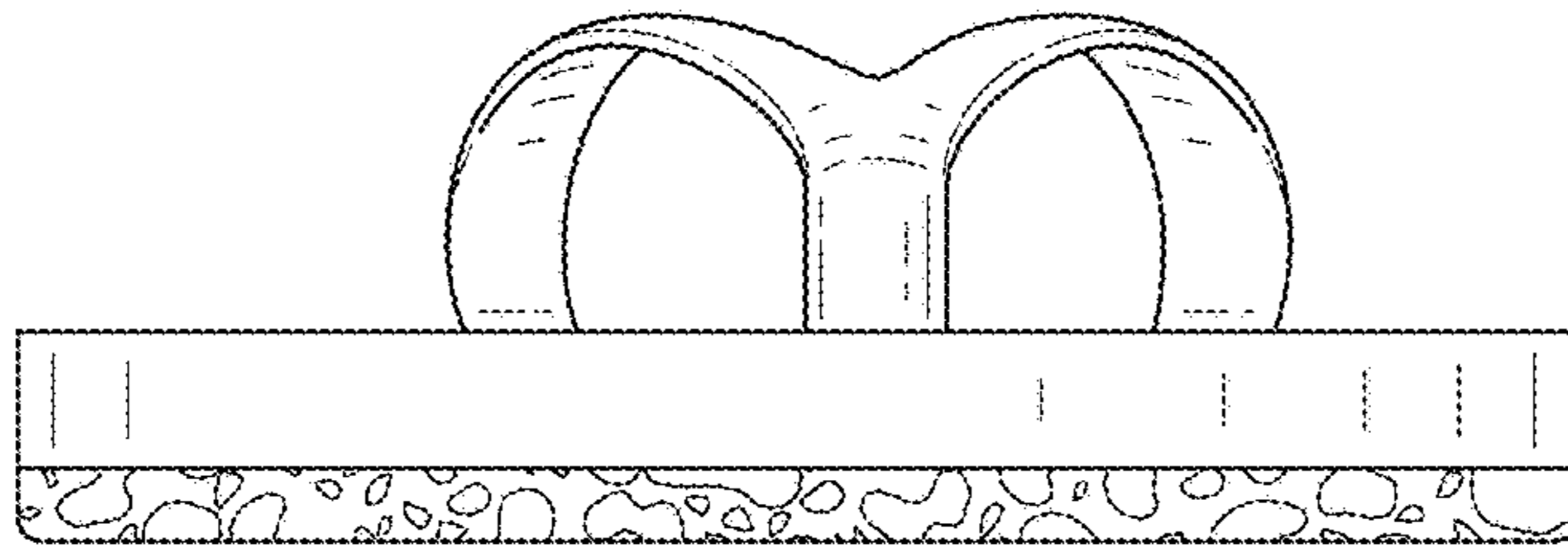


FIG. 9

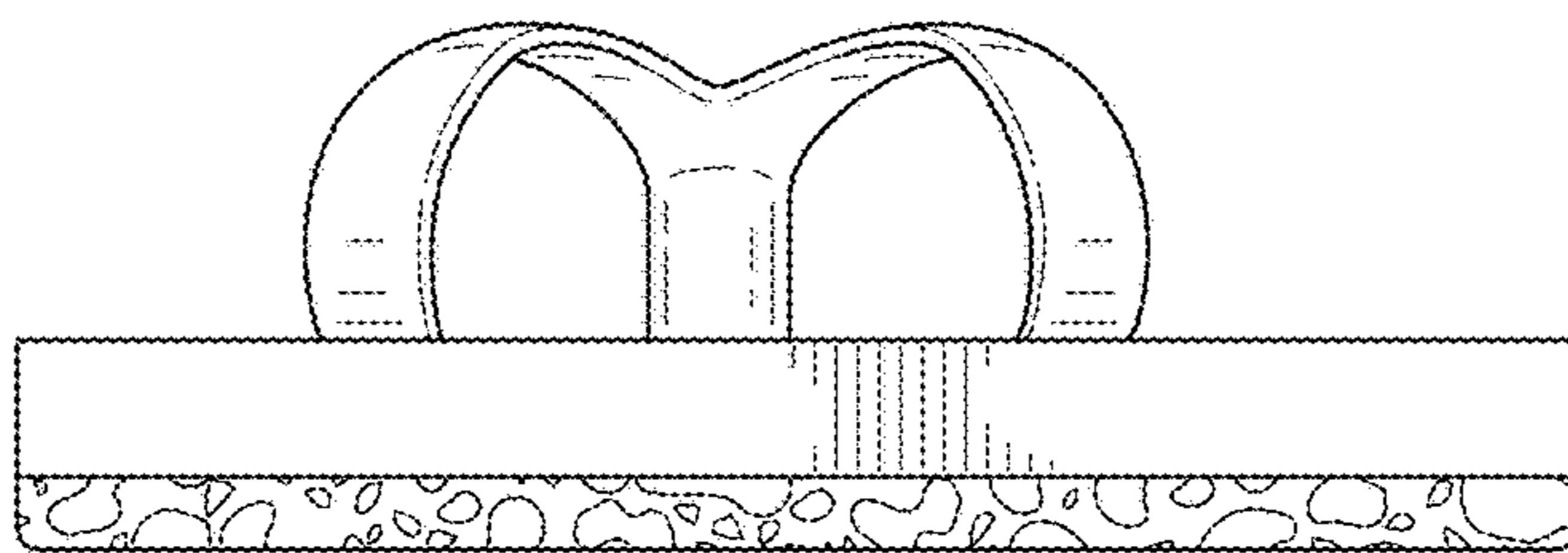


FIG. 10

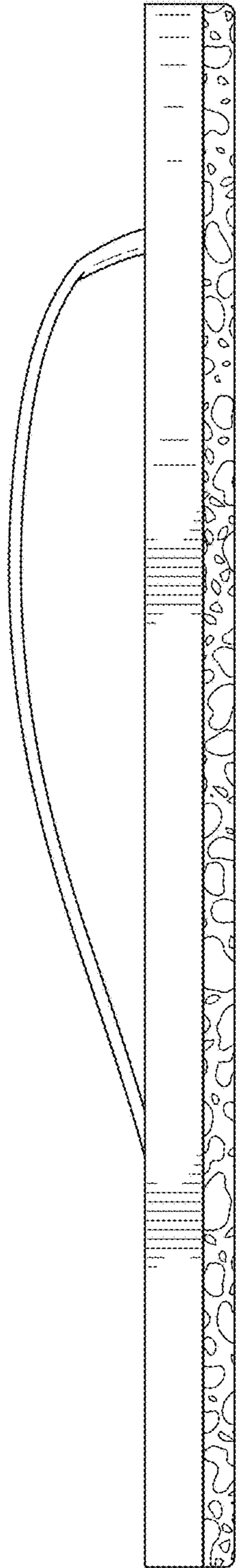


FIG. 11

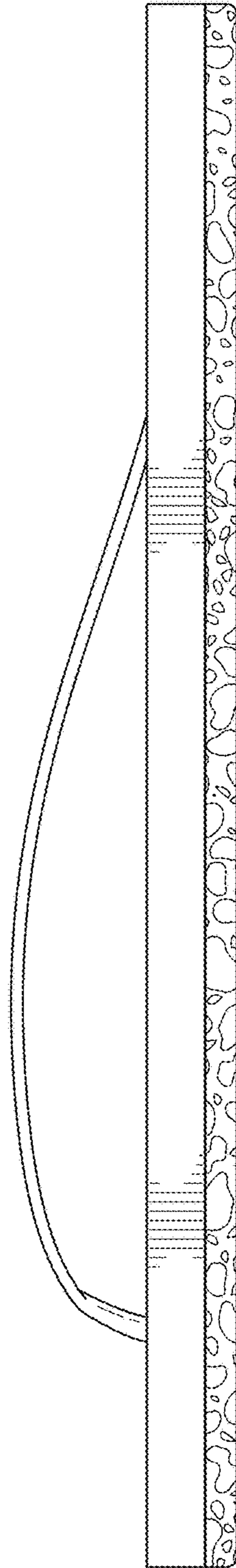


FIG. 12

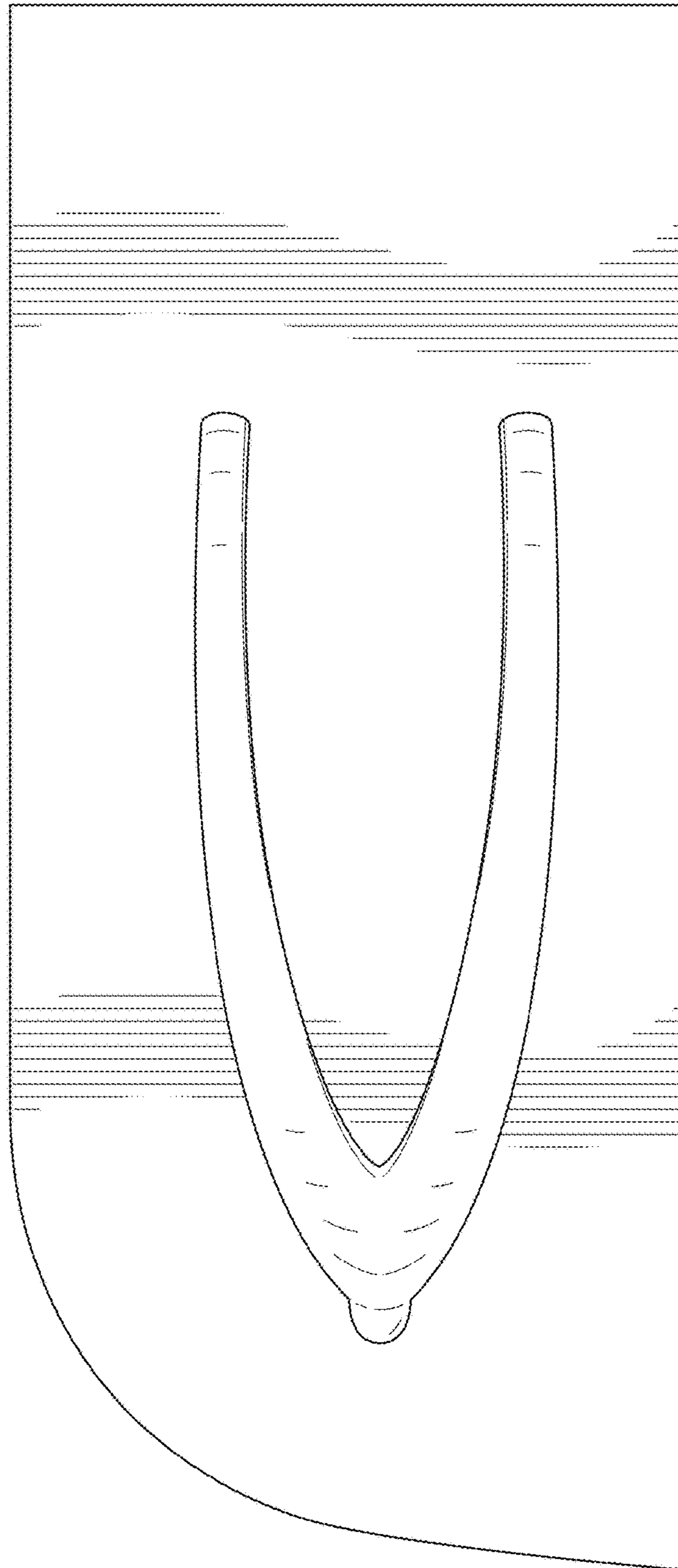


FIG. 13

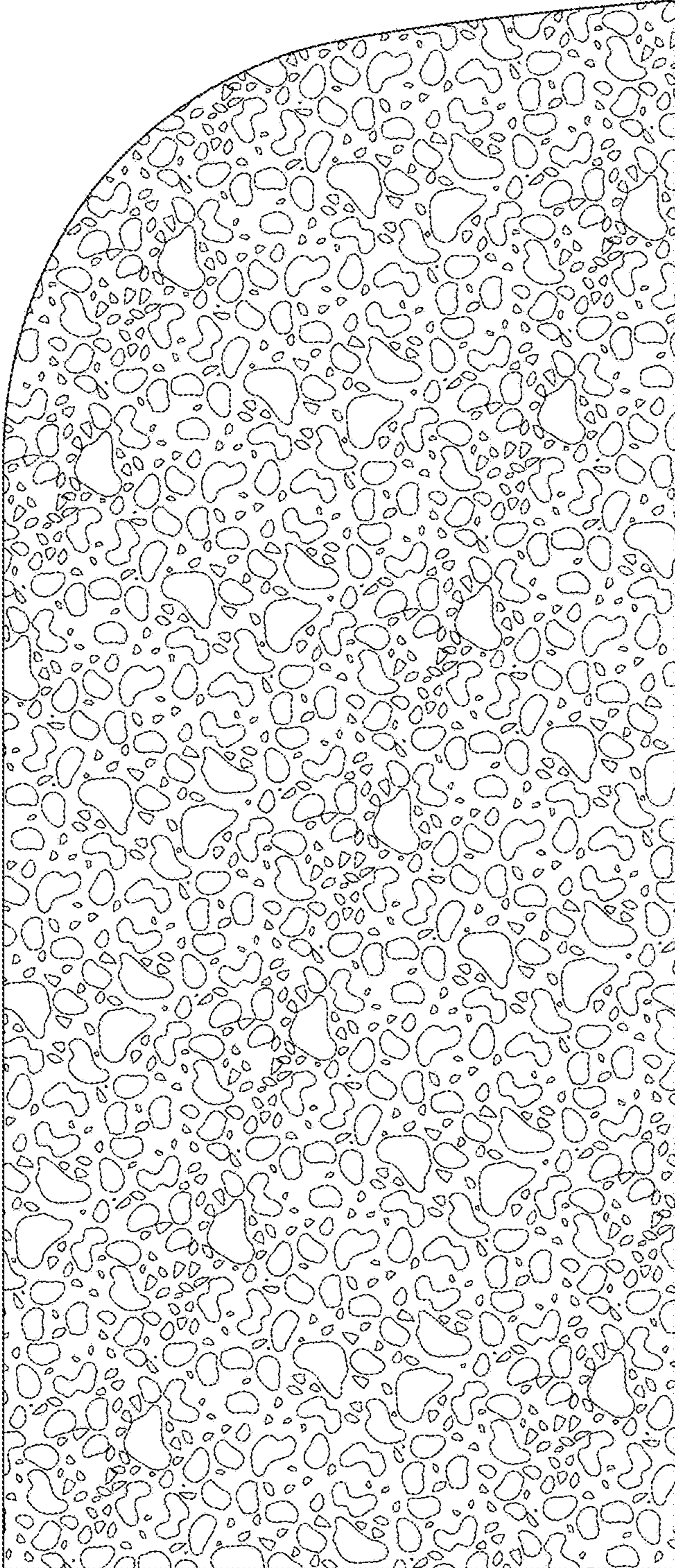
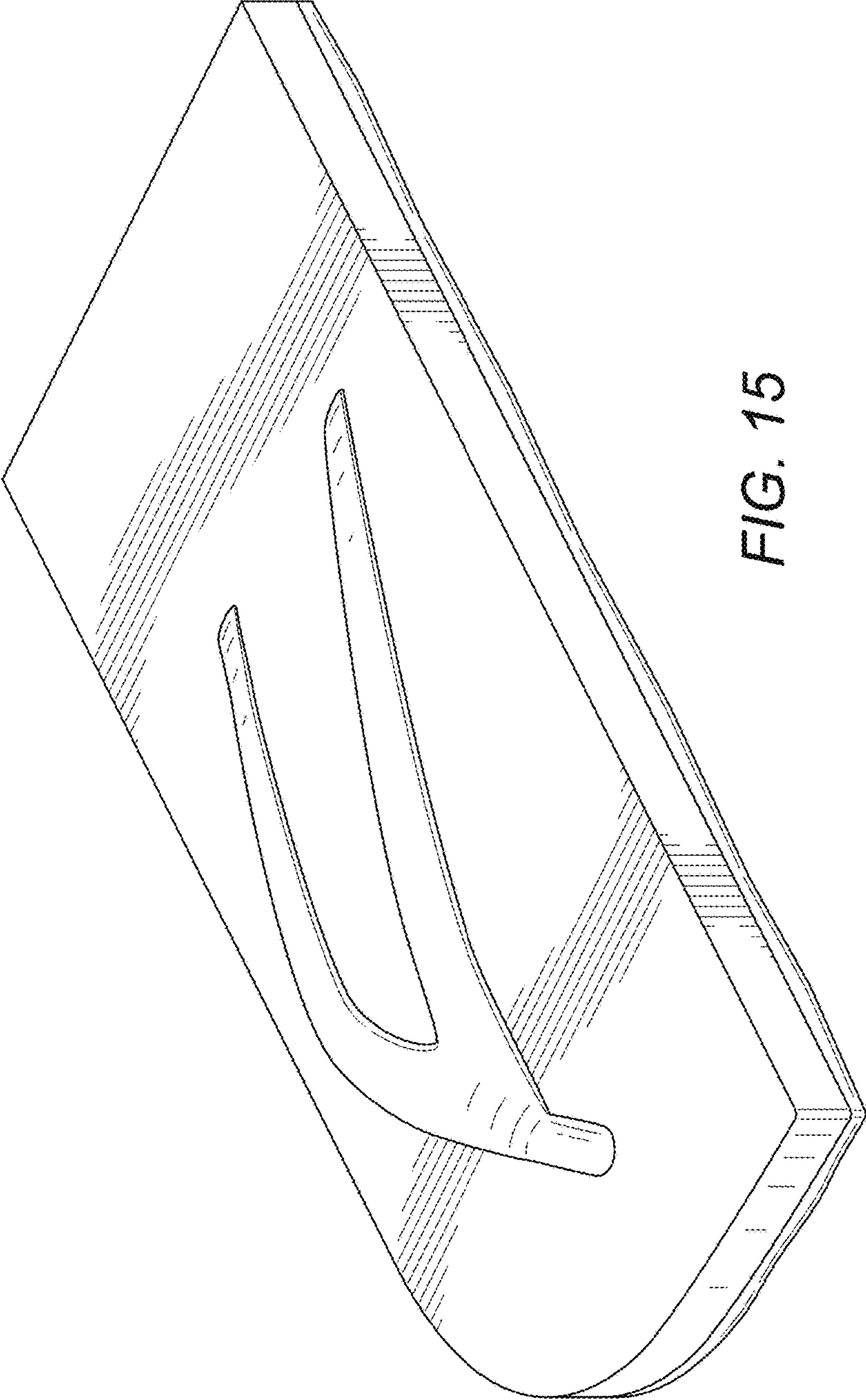


FIG. 14



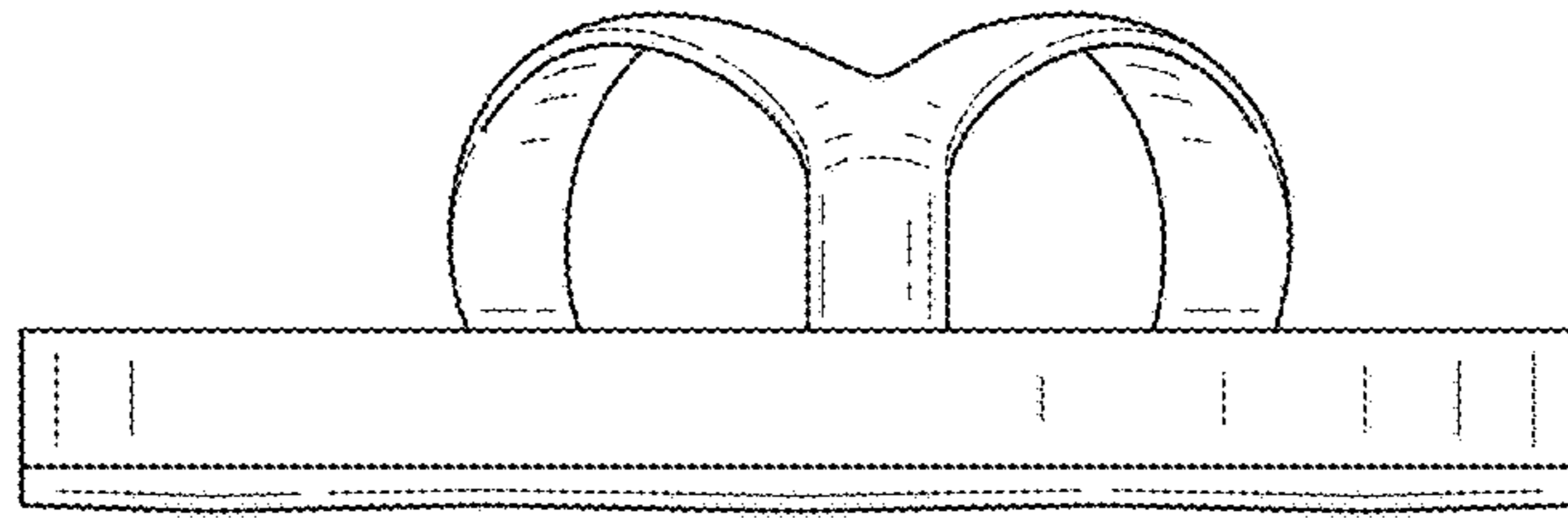


FIG. 16

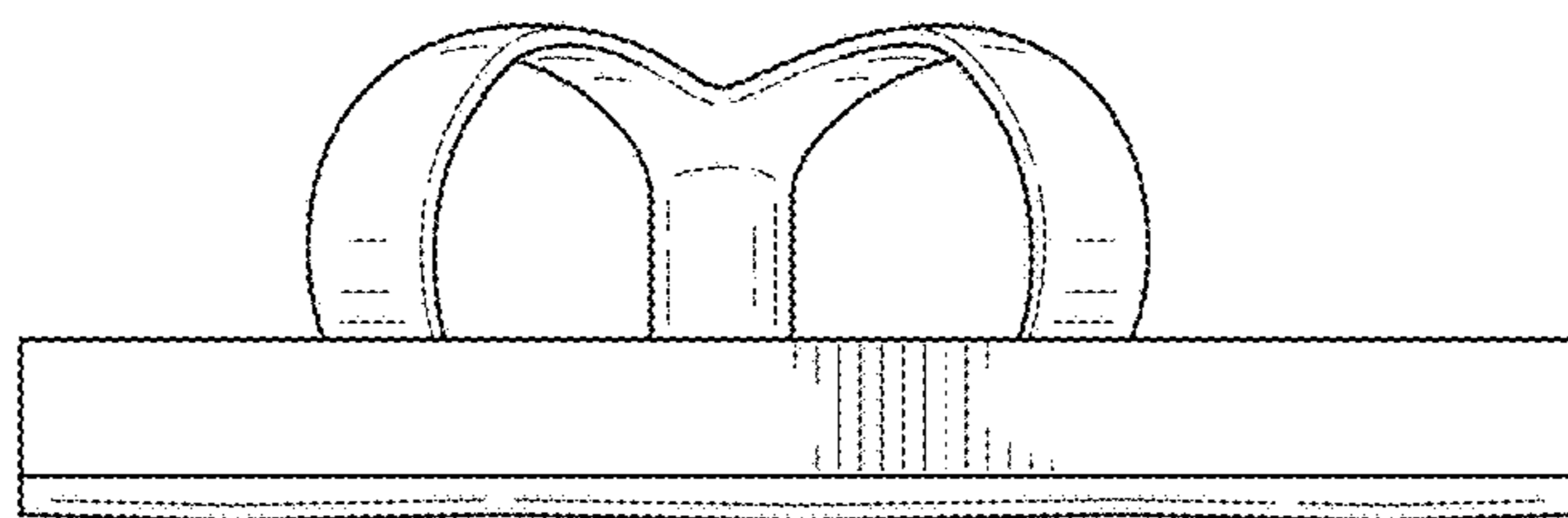


FIG. 17

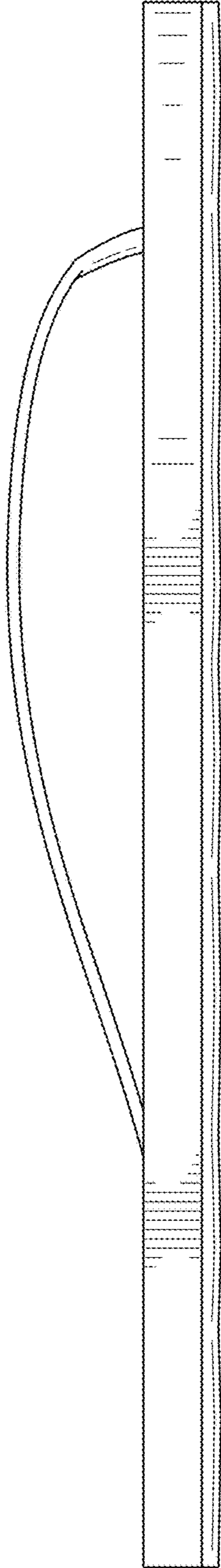


FIG. 18

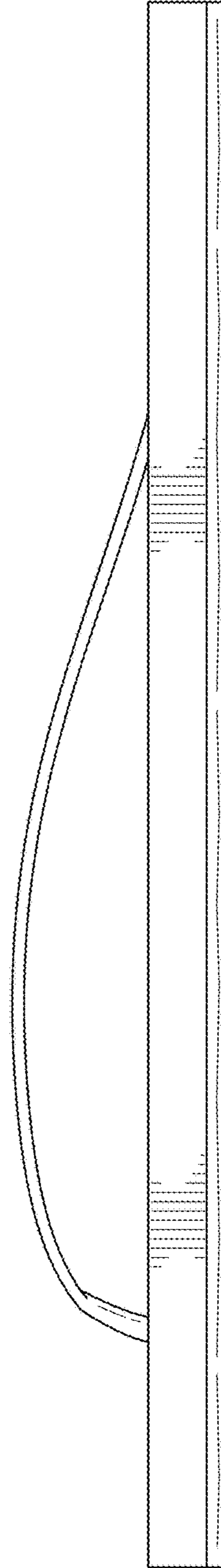


FIG. 19

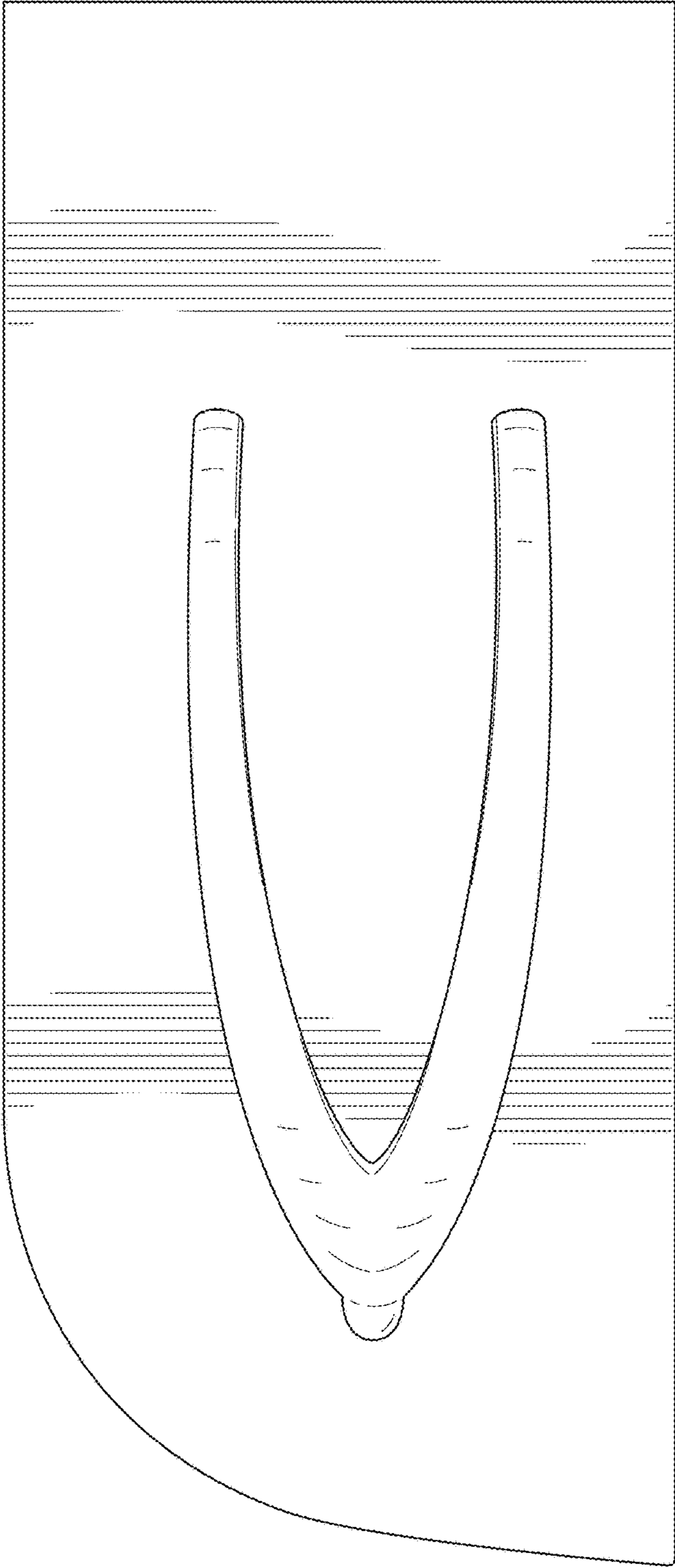


FIG. 20

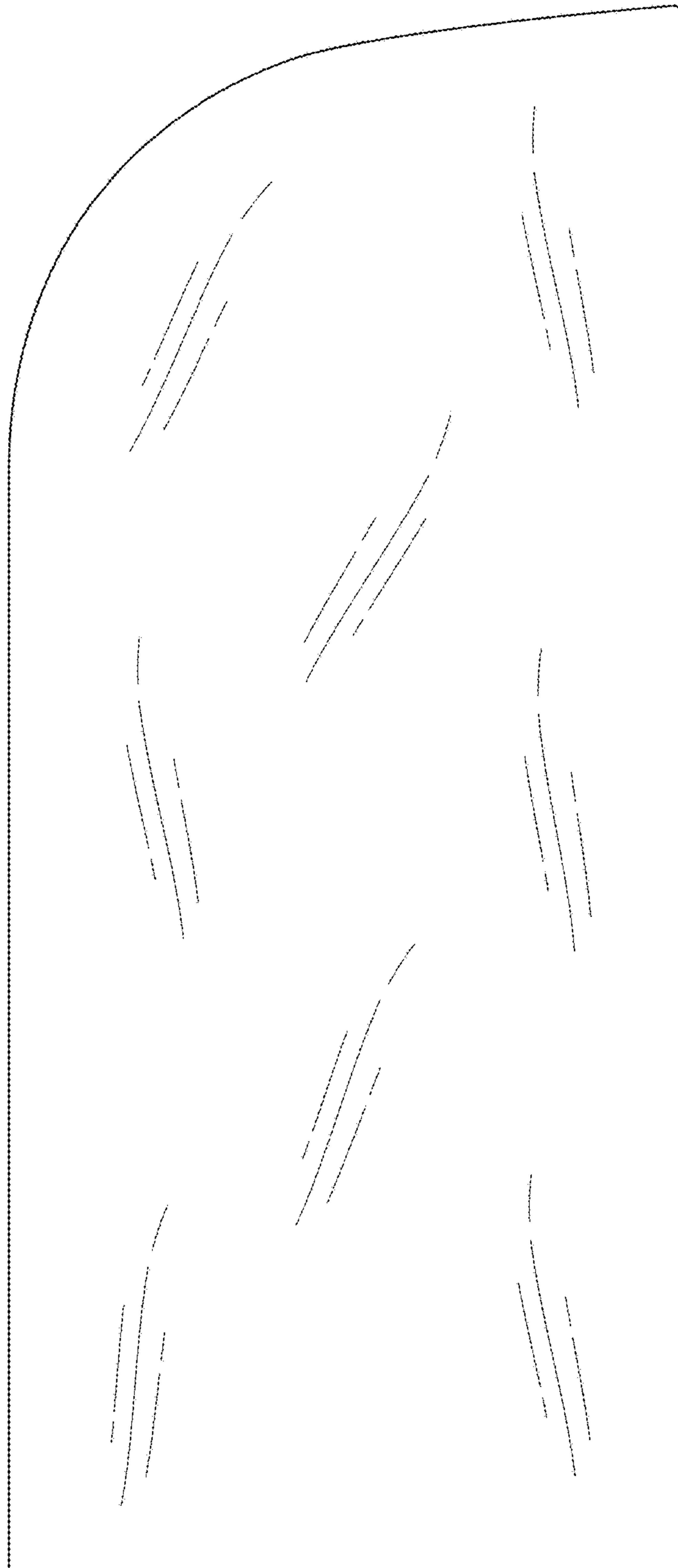


FIG. 21