



US00D849347S

(12) **United States Design Patent**
Hekking

(10) **Patent No.:** **US D849,347 S**

(45) **Date of Patent:** **** May 21, 2019**

(54) **FLOOR DUSTER**

(71) Applicant: **Daan Alexander Hekking**, Umea (SE)

(72) Inventor: **Daan Alexander Hekking**, Umea (SE)

(73) Assignee: **HELEN OF TROY LIMITED**, St. Michael (BB)

(**) Term: **15 Years**

(21) Appl. No.: **29/632,530**

(22) Filed: **Jan. 8, 2018**

(51) **LOC (11) Cl.** **07-05**

(52) **U.S. Cl.**
USPC **D32/40**

(58) **Field of Classification Search**
USPC D32/40-43, 45-46, 50-52; D4/118;
D24/217, 231; D8/11, 9; D20/17, 22,
D20/28, 41, 99
CPC . B08B 1/00; A61B 90/70; A47L 13/17; A47L
13/16
See application file for complete search history.

(56) **References Cited**

U.S. PATENT DOCUMENTS

- 3,016,556 A * 1/1962 Greenleaf B25G 3/38
15/144.2
- 3,041,648 A * 7/1962 Gradinger A47L 13/24
15/147.2
- 3,358,313 A * 12/1967 Grimes, Sr. A47L 13/254
15/144.1
- 3,737,935 A * 6/1973 Saltzstein A47L 13/253
15/147.2
- 4,114,223 A * 9/1978 Buchanan A47L 13/20
15/228
- 6,836,923 B2 * 1/2005 Treacy A47L 13/25
15/147.2
- D506,050 S * 6/2005 Lalanne D32/45
- D549,912 S * 8/2007 Van Lanningham D32/40
- D554,815 S * 11/2007 Harper D32/40

- D585,612 S * 1/2009 Soller D32/40
- 7,779,501 B2 * 8/2010 Lacotta A47L 13/256
15/115
- D657,928 S * 4/2012 Byrne D32/50
- D658,344 S * 4/2012 Babic D32/50
- D673,337 S * 12/2012 Chow D32/45
- D673,748 S * 1/2013 Snyder D32/45
- D698,111 S * 1/2014 Casini D32/50
- D704,910 S * 5/2014 Hughes D32/40
- D719,709 S * 12/2014 Gidwell D32/40
- D719,712 S * 12/2014 Widmer A46B 17/00
D32/35
- D747,053 S * 1/2016 Baldwin D32/40
- D765,331 S * 8/2016 Chei D32/45
- 10,004,372 B2 * 6/2018 Escobar A47L 13/12
- D822,299 S * 7/2018 Fair D32/50

OTHER PUBLICATIONS

Large dust mop—hasensprung.info, website 2019, <http://hasensprung.info/large-dust-mop/>, site visited Feb. 4, 2019.*

* cited by examiner

Primary Examiner — John Windmuller
Assistant Examiner — John R Yeh

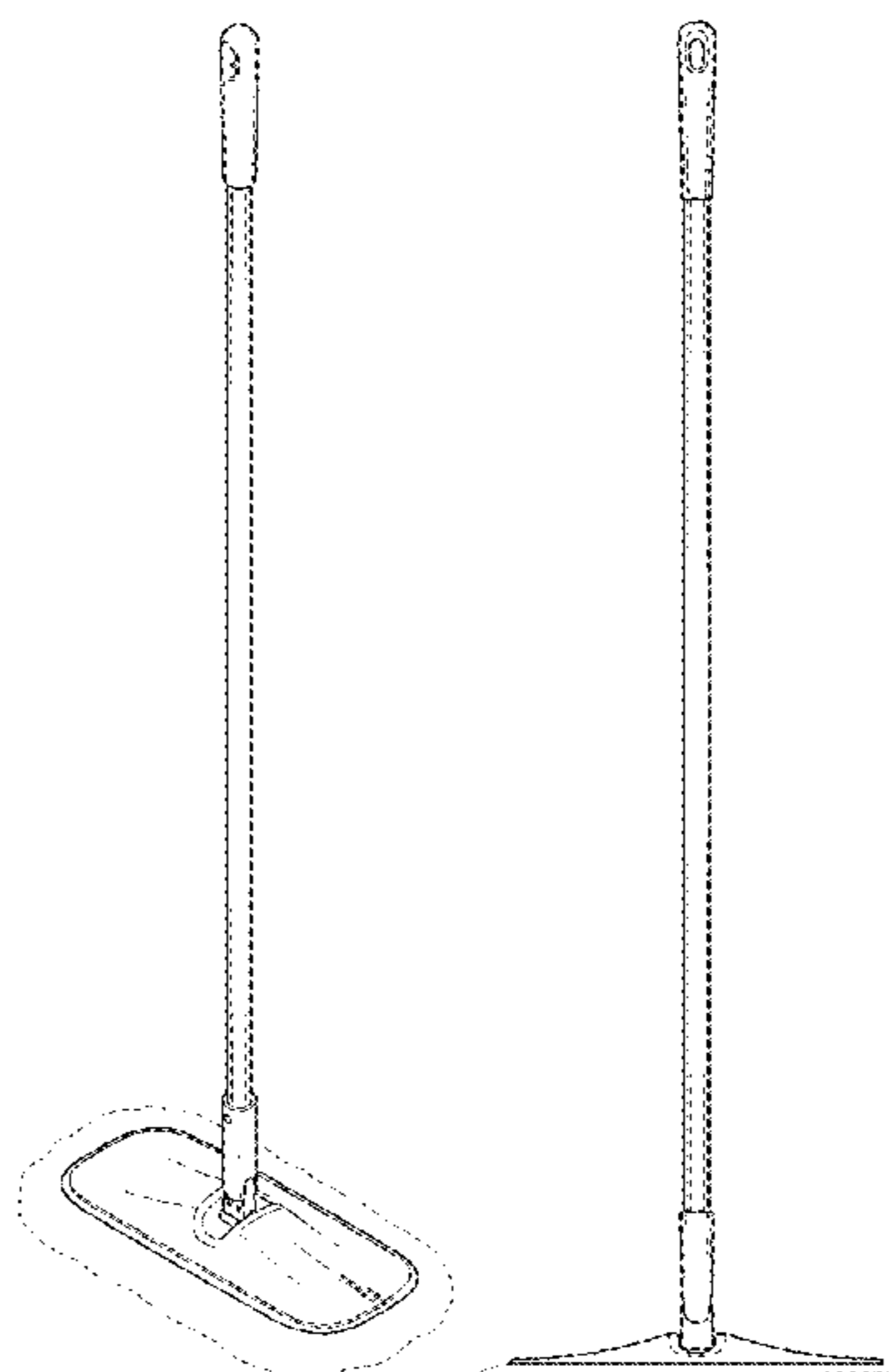
(57) **CLAIM**

The ornamental design for a floor duster, as shown, and described.

DESCRIPTION

FIG. 1 is a perspective view of a floor duster;
FIG. 2 is a front elevation view thereof;
FIG. 3 is a rear elevation view thereof;
FIG. 4 is a right side elevation view thereof (with the left a mirror image thereof);
FIG. 5 is a top view thereof; and,
FIG. 6 is a bottom view thereof.
The broken lines in the figures represent portions of the floor duster that form no part of the claimed design.

1 Claim, 6 Drawing Sheets



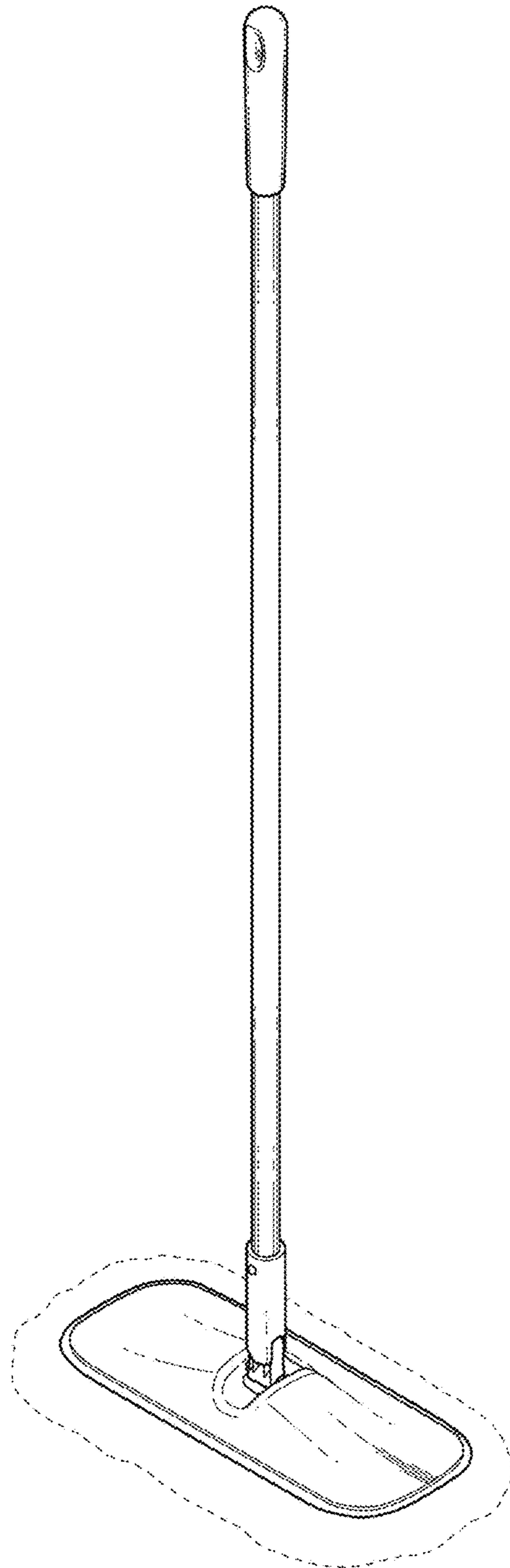


FIG. 1

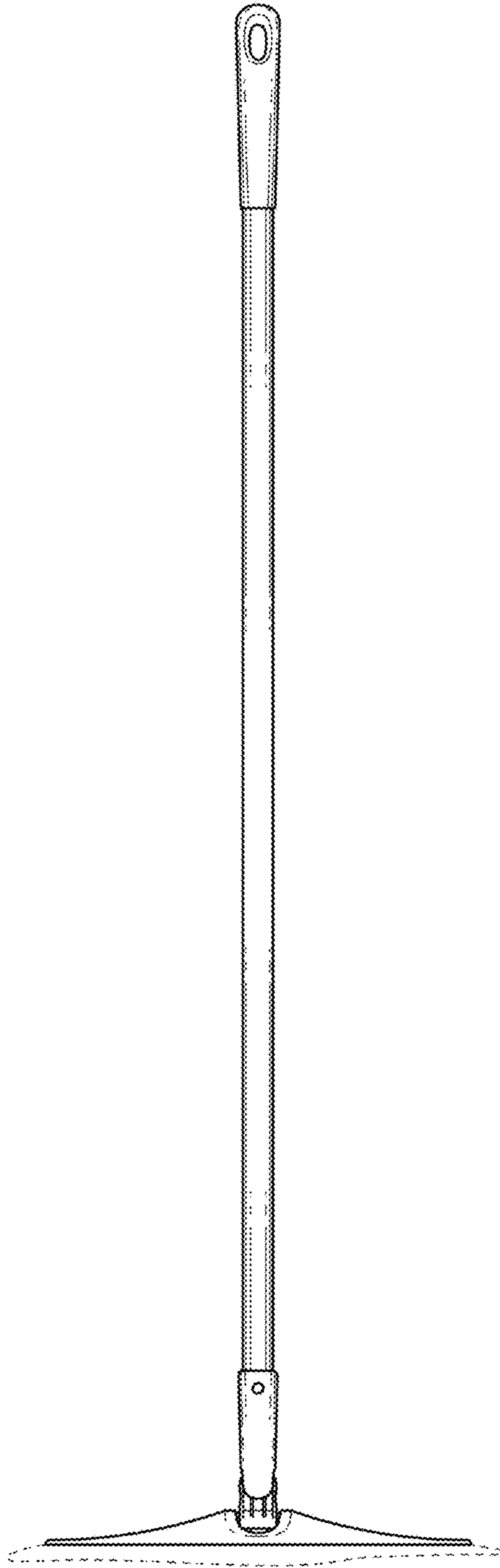


FIG. 2

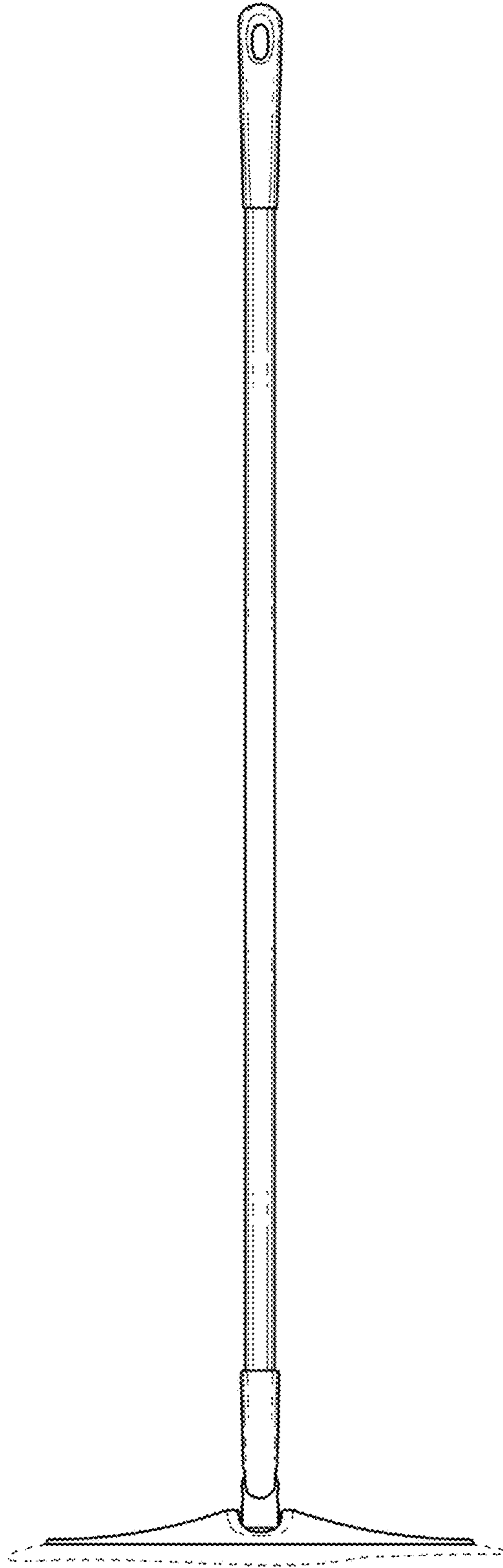


FIG. 3

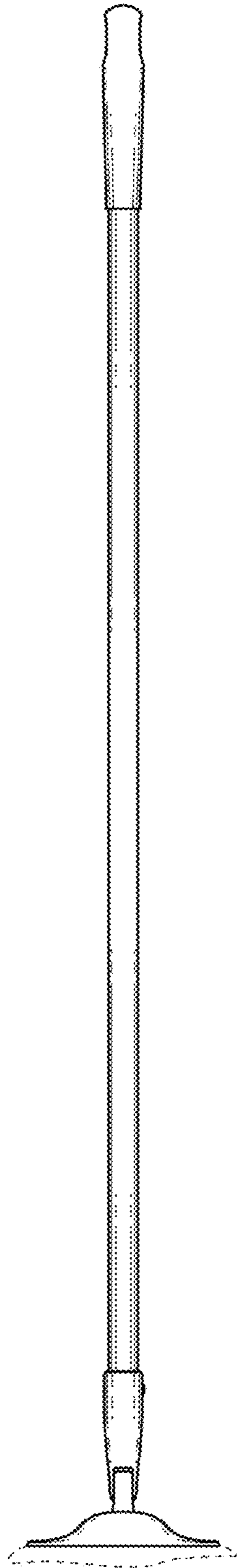


FIG. 4

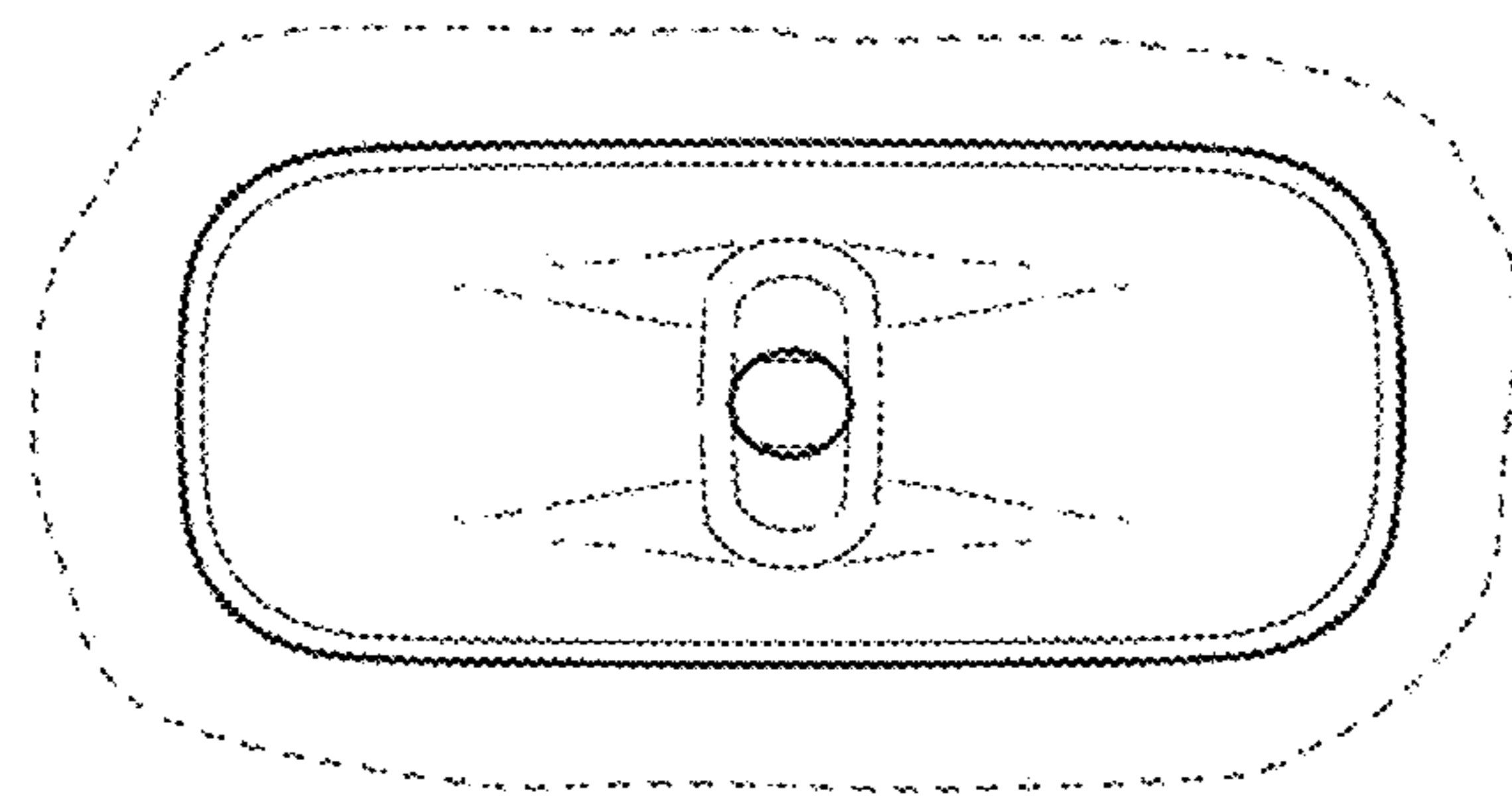


FIG. 5

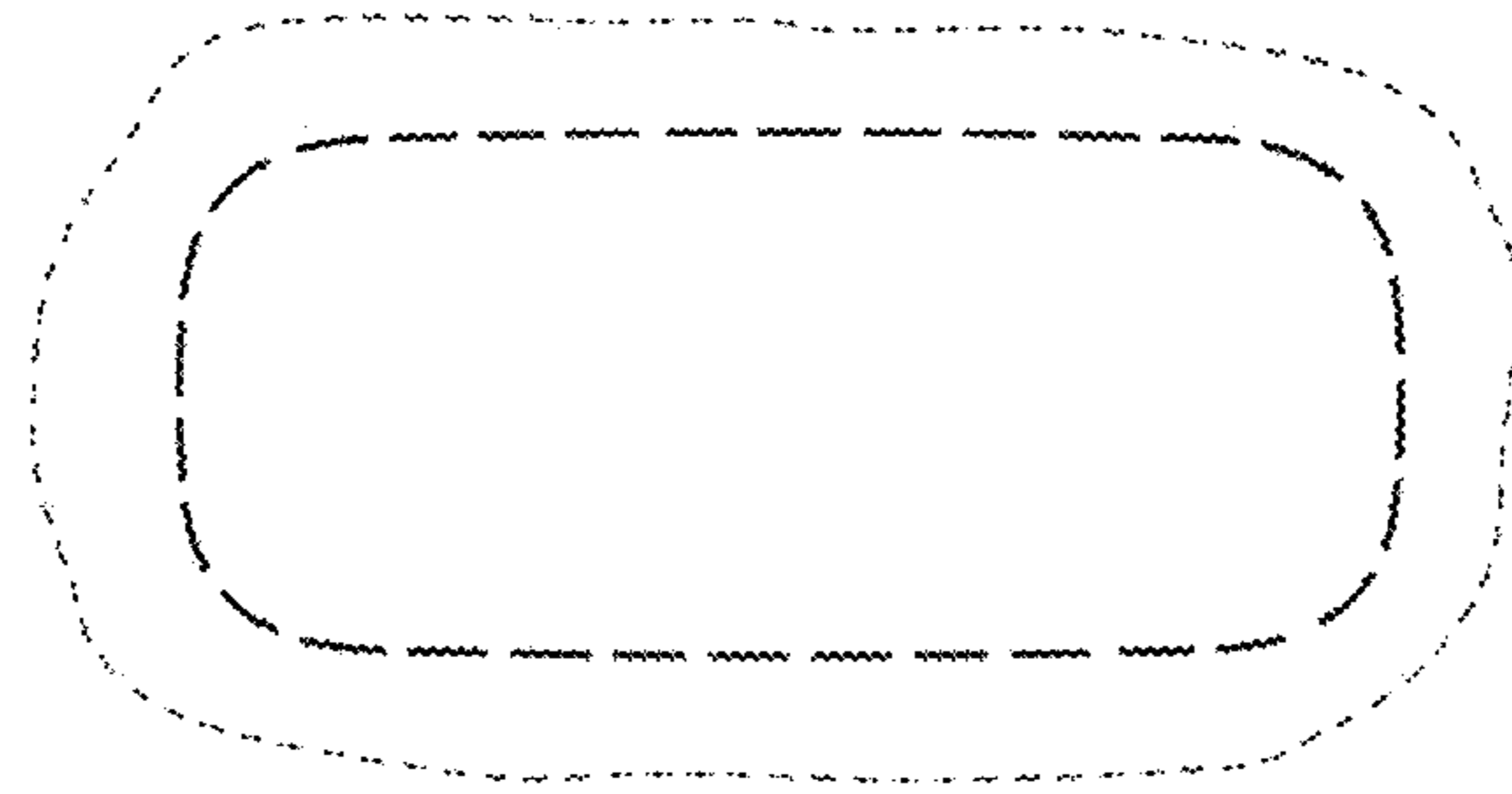


FIG. 6