



US00D849344S

(12) **United States Design Patent**
Chavana, Jr. et al.

(10) **Patent No.:** **US D849,344 S**

(45) **Date of Patent:** **** May 21, 2019**

(54) **SURFACE CLEANING SYSTEM**

(71) Applicant: **Rug Doctor, LLC**, Plano, TX (US)

(72) Inventors: **Ernest Matthew Chavana, Jr.**, Villa Ridge, MO (US); **Richard Foster**, Powell, OH (US); **Stanley Anderson**, Fenton, MO (US); **Christopher Terpstra**, Frisco, TX (US); **Jan Valentic**, Plano, TX (US)

(73) Assignee: **Rug Doctor, LLC**, Plano, TX (US)

(**) Term: **15 Years**

(21) Appl. No.: **29/608,682**

(22) Filed: **Jun. 23, 2017**

(51) **LOC (11) Cl.** **15-05**

(52) **U.S. Cl.**
USPC **D32/22**

(58) **Field of Classification Search**
USPC D32/17, 22, 31, 15-16
CPC A47L 11/20; A47L 11/30; A47L 11/34;
A47L 7/0004; A47L 5/28; A47L 5/30;
A47L 5/32

See application file for complete search history.

(56) **References Cited**

U.S. PATENT DOCUMENTS

D364,947 S * 12/1995 Kent D32/21
D633,667 S * 3/2011 Santiago D32/22
D696,824 S * 12/2013 Dammkoehler D32/15

D712,102 S * 8/2014 Hill D32/22
D723,755 S * 3/2015 Barrett D32/22
8,997,306 B2 * 4/2015 Hill A47L 11/302
15/320
9,380,921 B2 * 7/2016 Nguyen A47L 11/34

* cited by examiner

Primary Examiner — Ruth McInroy

(74) *Attorney, Agent, or Firm* — Hauptman Ham, LLP

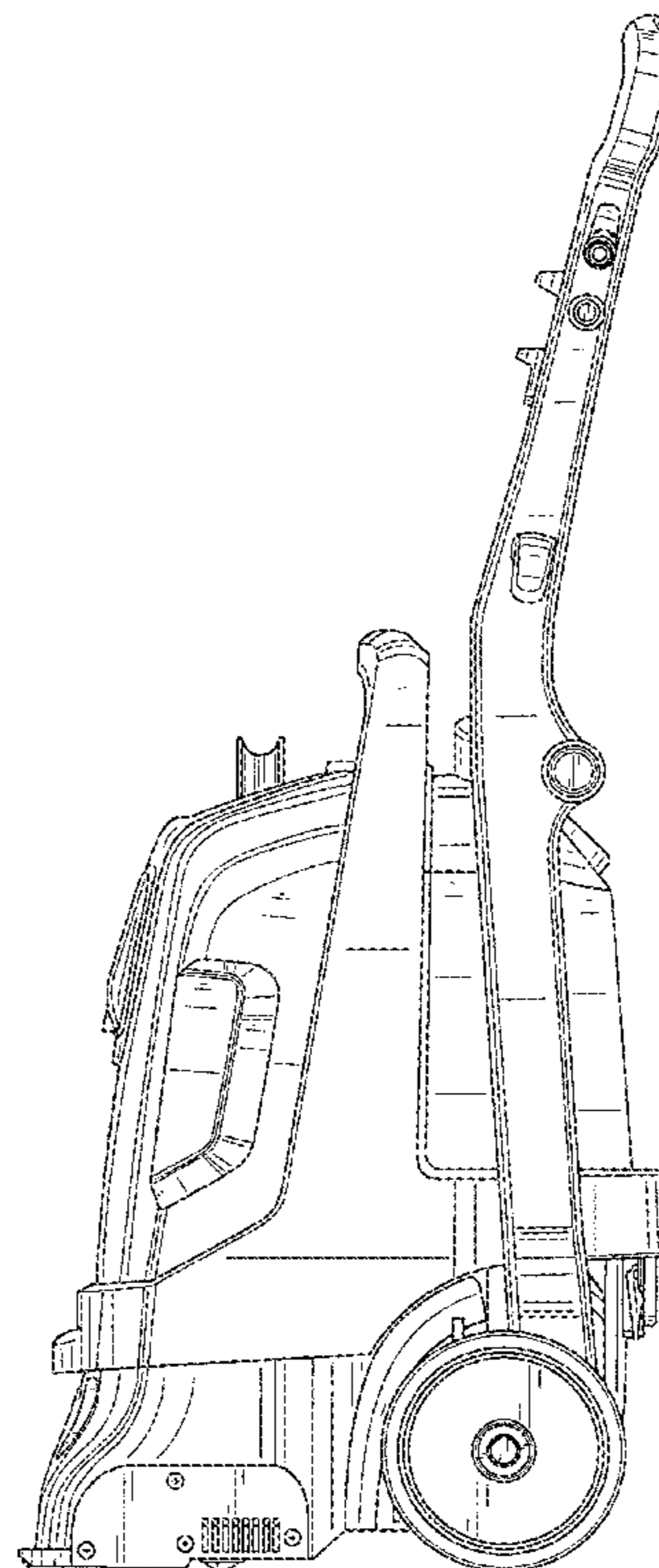
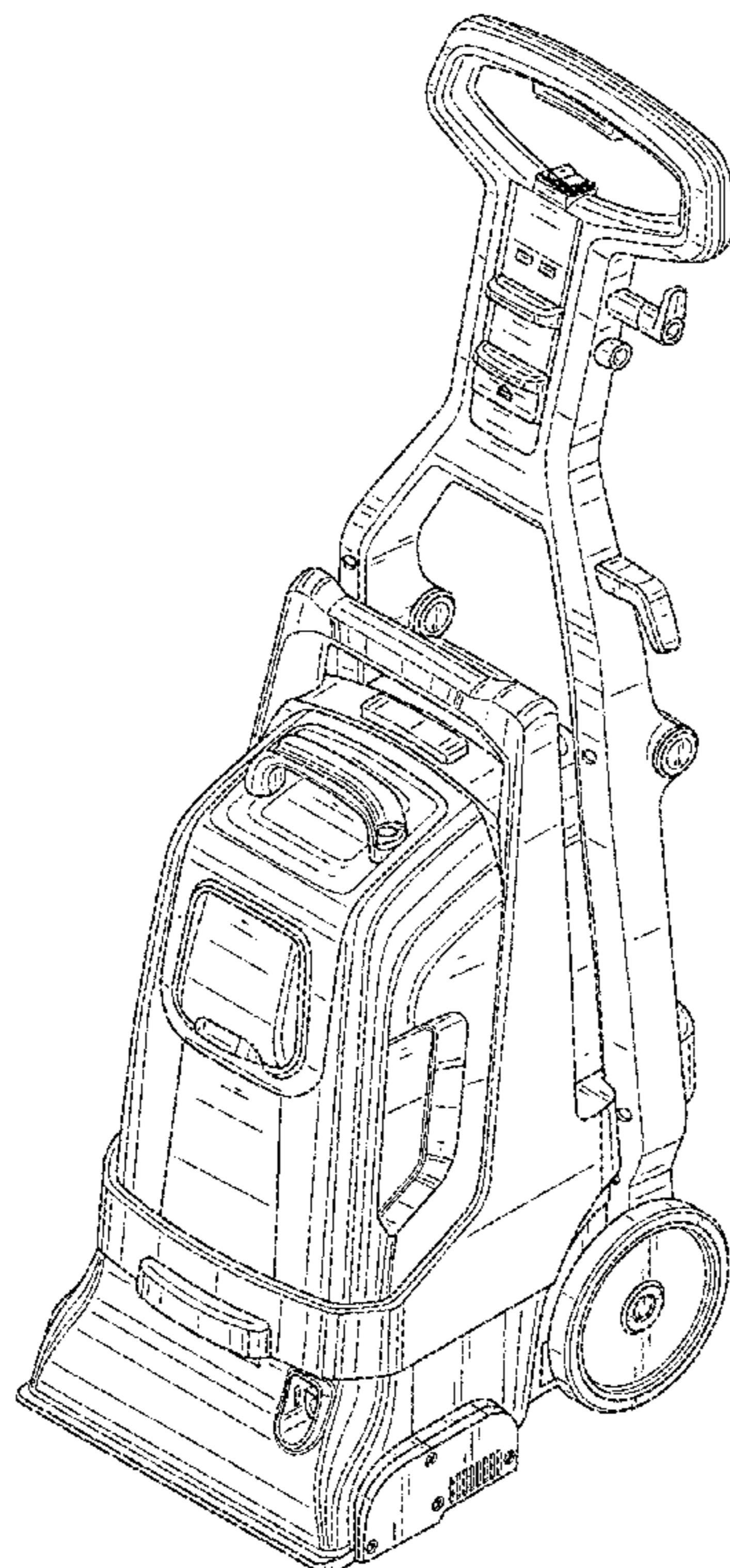
(57) **CLAIM**

The ornamental design for a surface cleaning system, as shown and described.

DESCRIPTION

FIG. 1 is a top-right perspective view of a surface cleaning system showing our new design;
FIG. 2 is a front view thereof;
FIG. 3 is a rear view thereof;
FIG. 4 is a left side view thereof;
FIG. 5 is a right side view thereof;
FIG. 6 is a top view thereof;
FIG. 7 is a bottom view thereof;
FIG. 8 is a top-right perspective view of a second embodiment thereof;
FIG. 9 is a front view of FIG. 8;
FIG. 10 is a rear view of FIG. 8;
FIG. 11 is a left side view of FIG. 8;
FIG. 12 is a right side view of FIG. 8; and,
FIG. 13 is a top view of FIG. 8.
The broken lines in the drawings show environmental structure that forms no part of the claimed design.

1 Claim, 13 Drawing Sheets



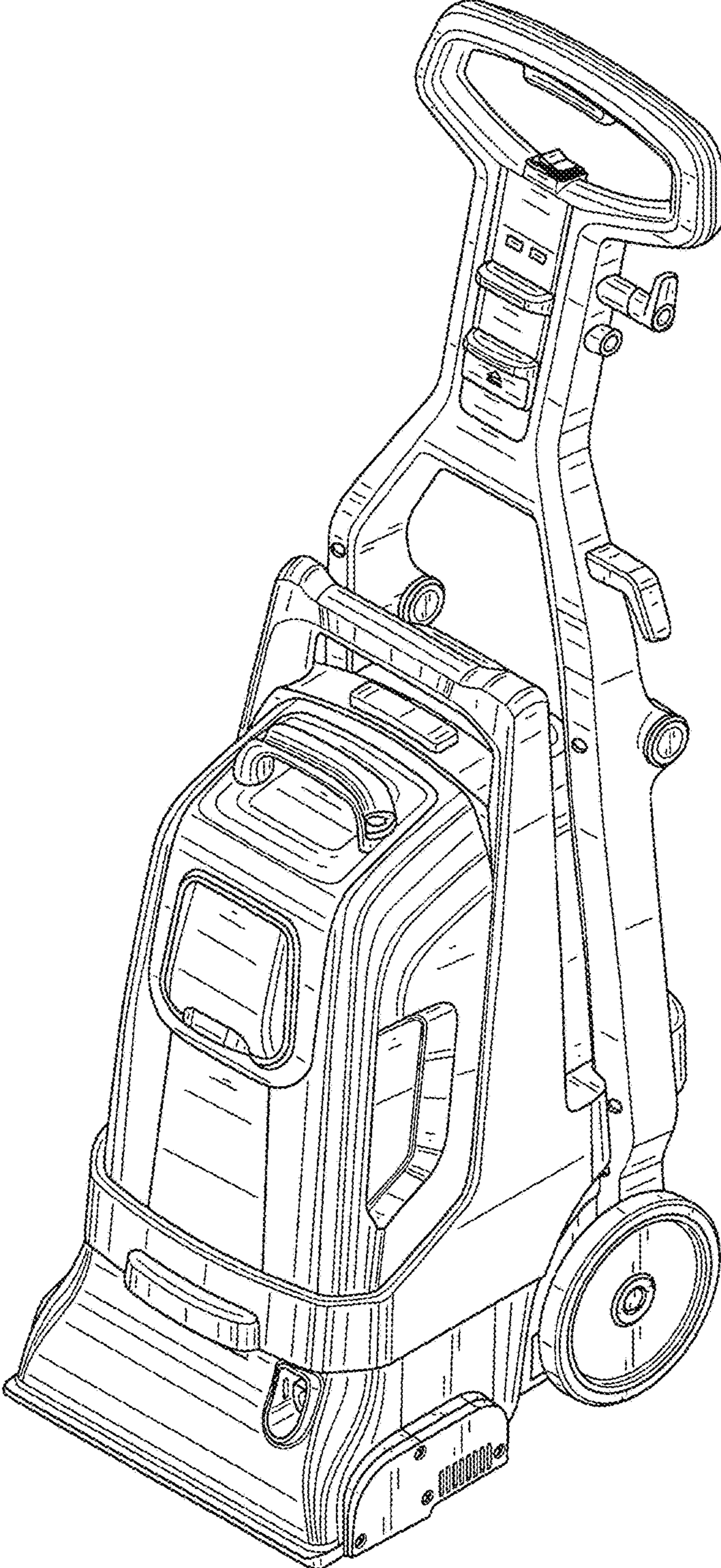


FIG. 1

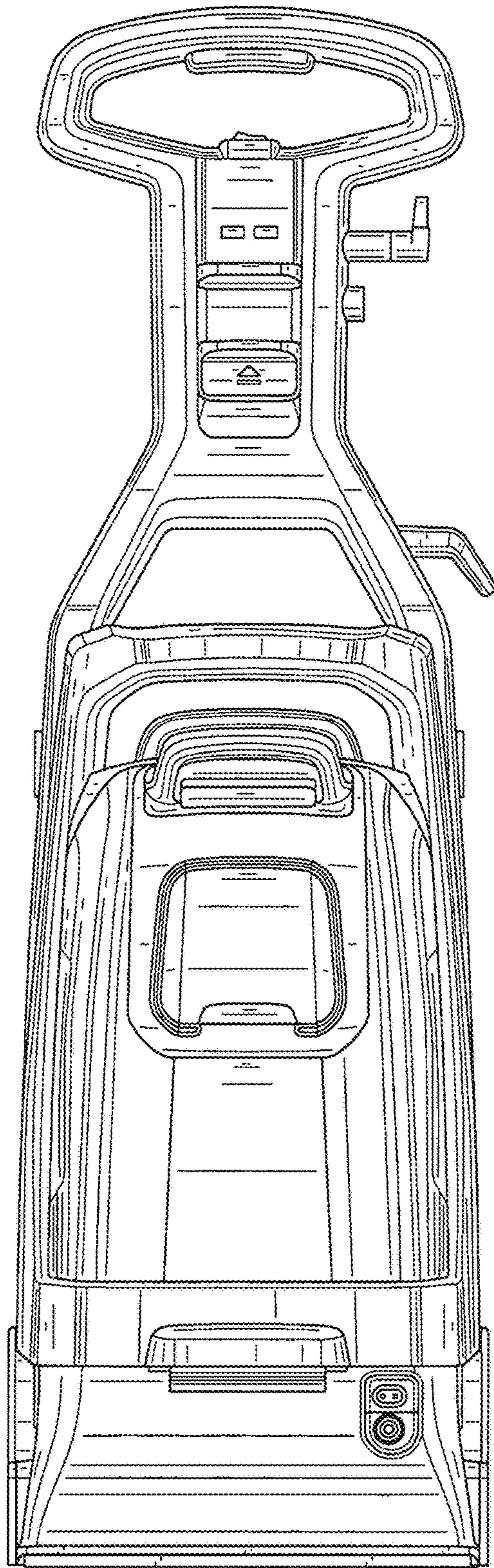


FIG. 2

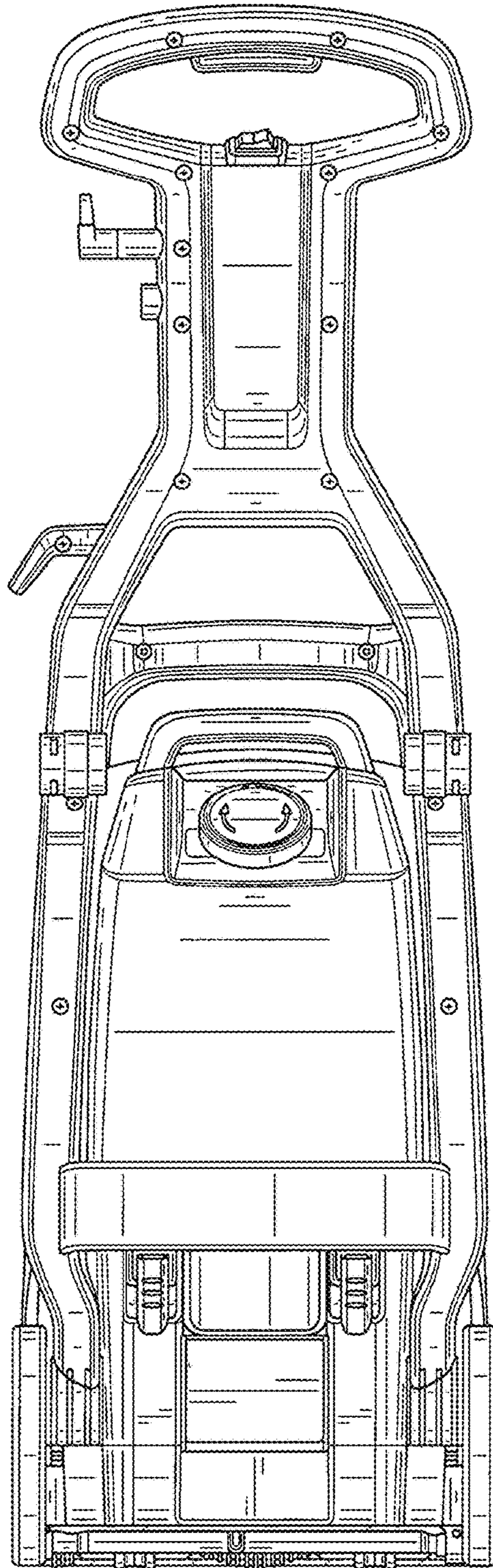


FIG. 3

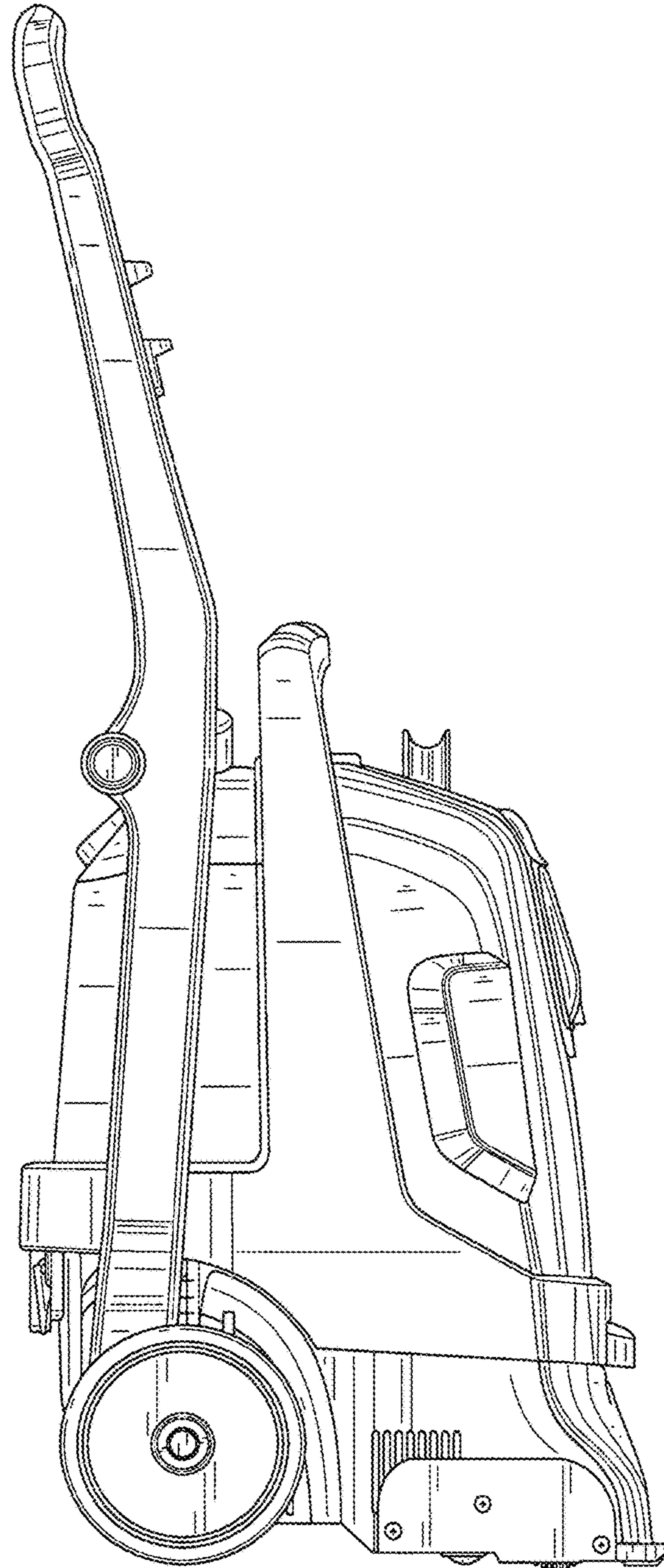


FIG. 4

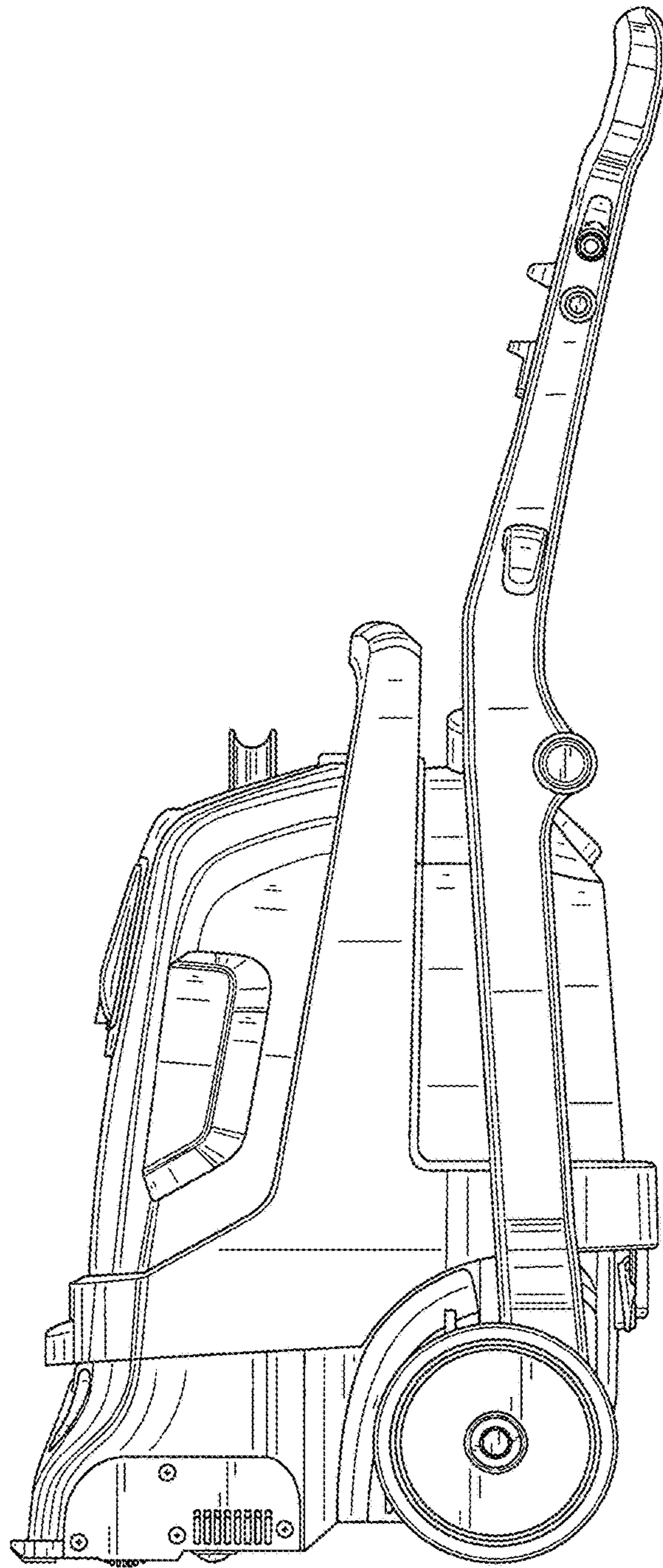


FIG. 5

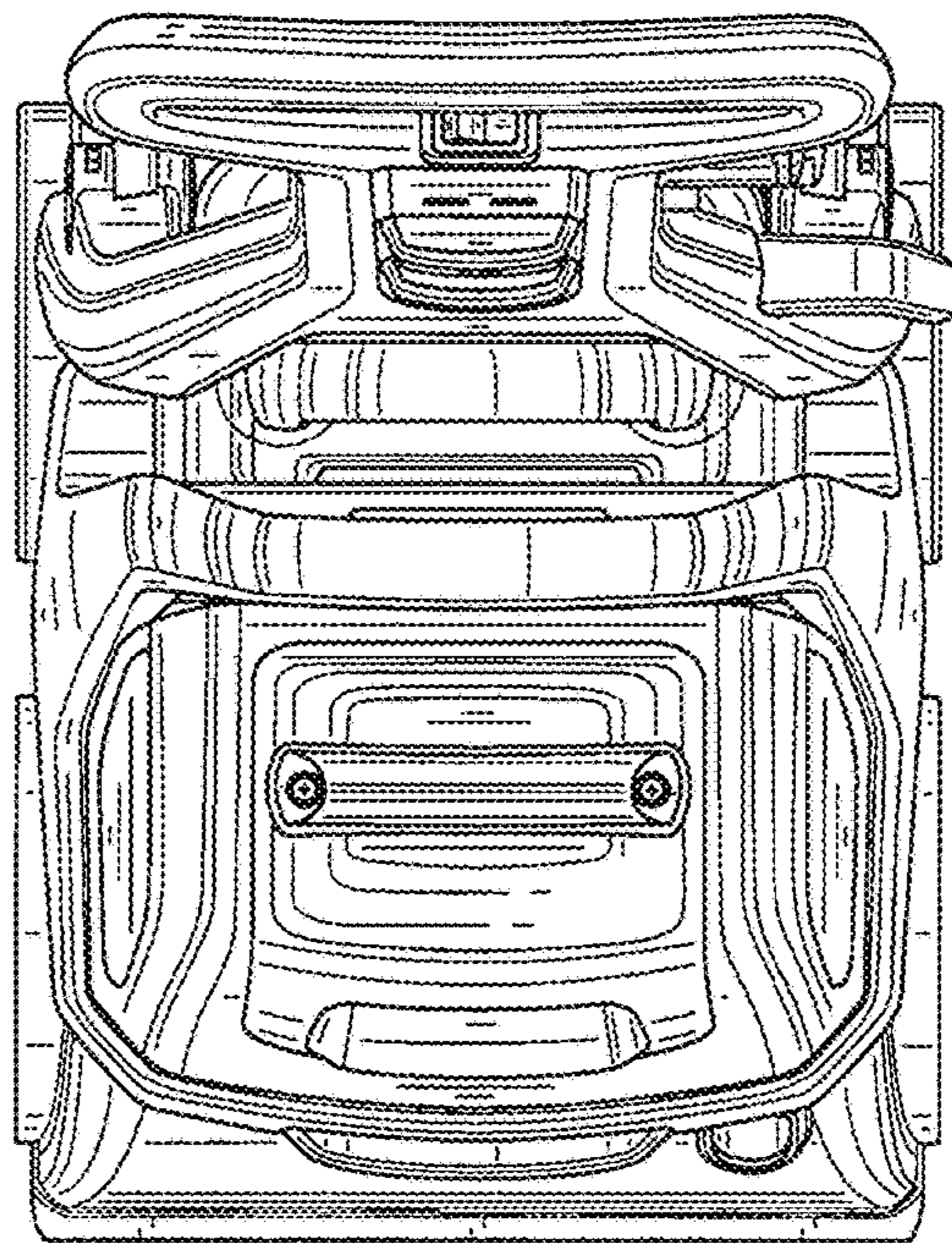


FIG. 6

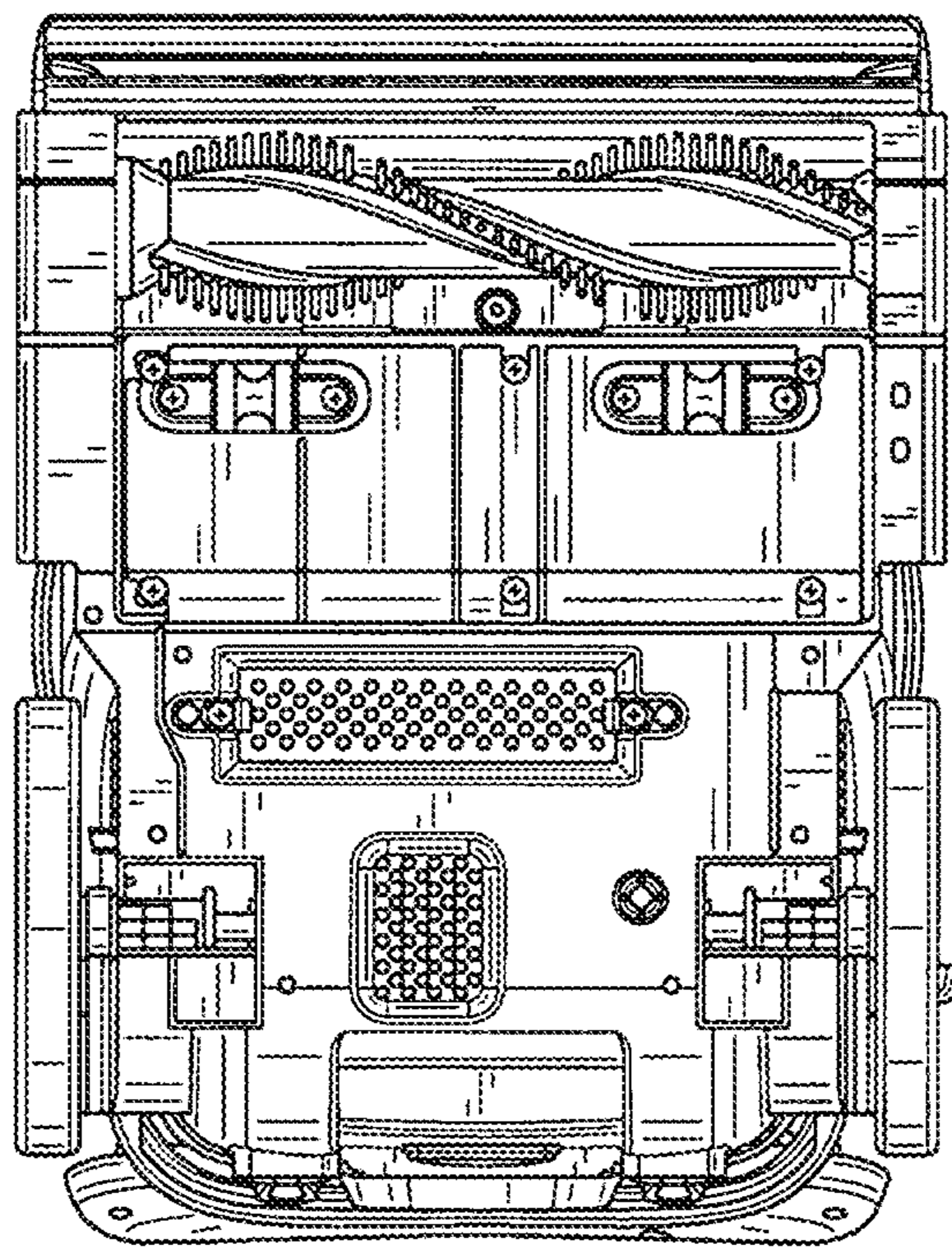


FIG. 7

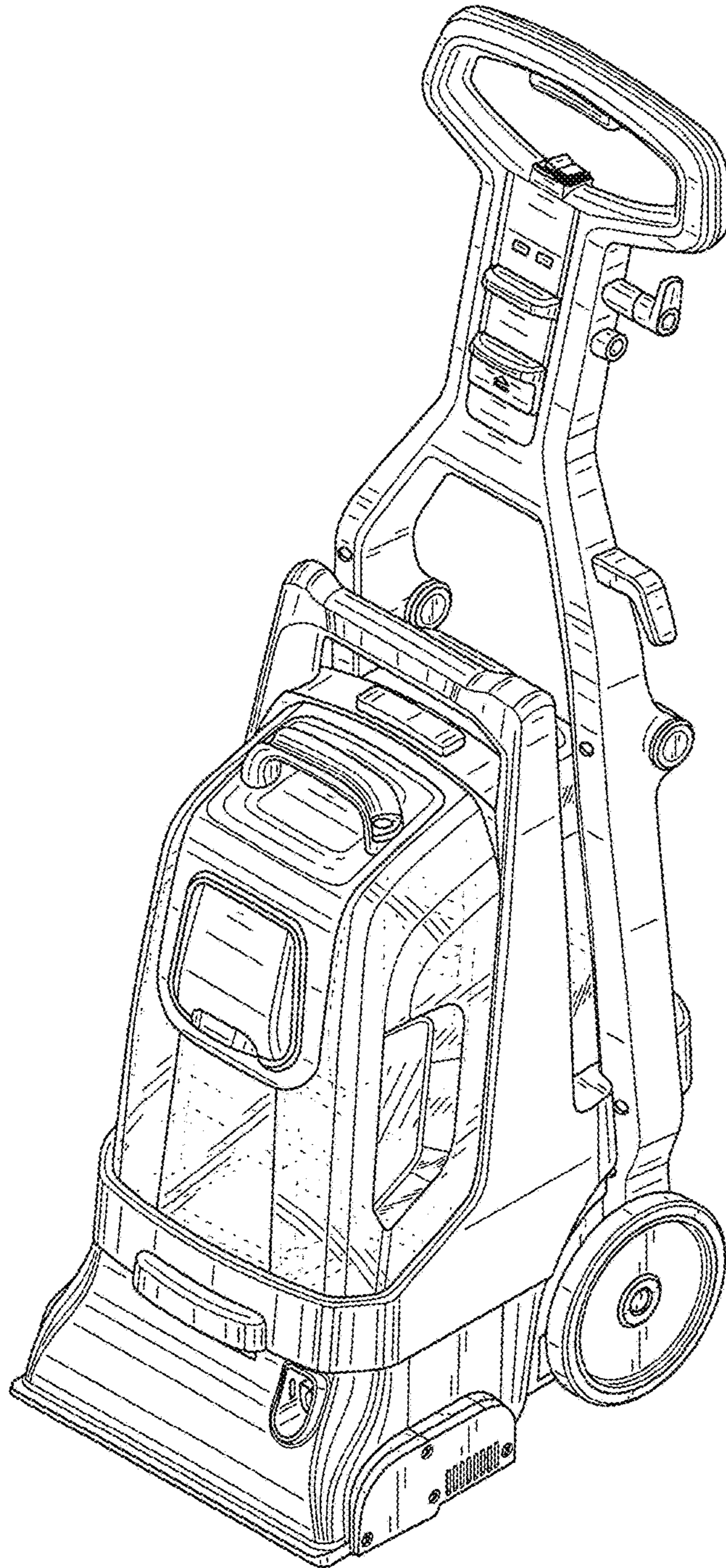


FIG. 8

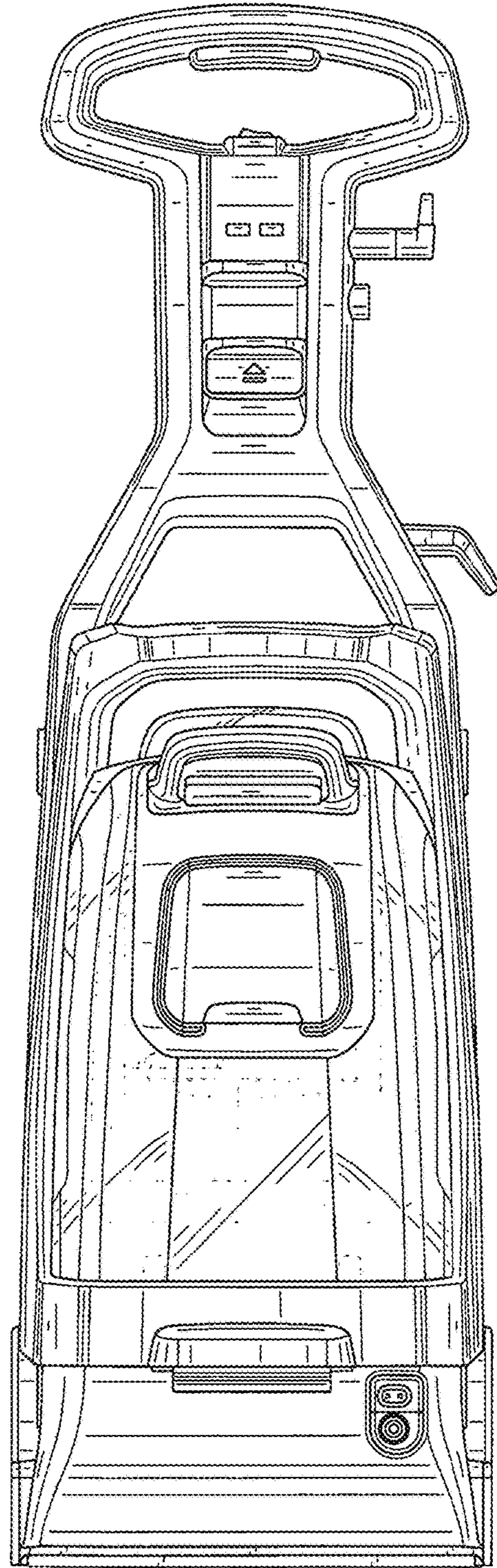


FIG. 9

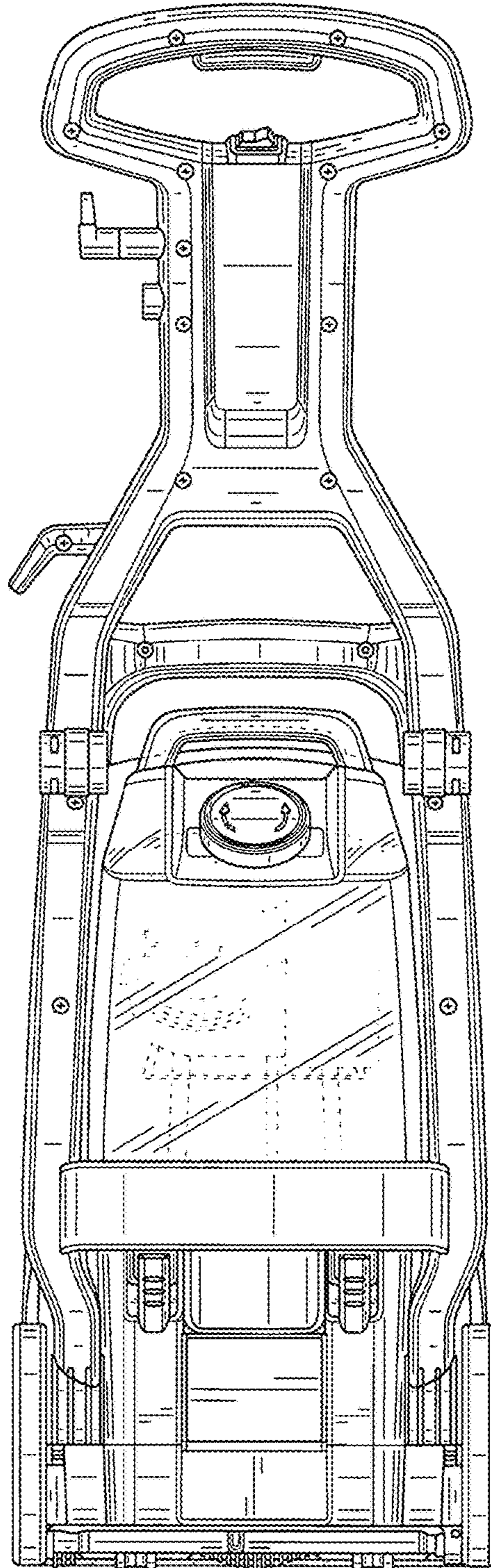


FIG. 10

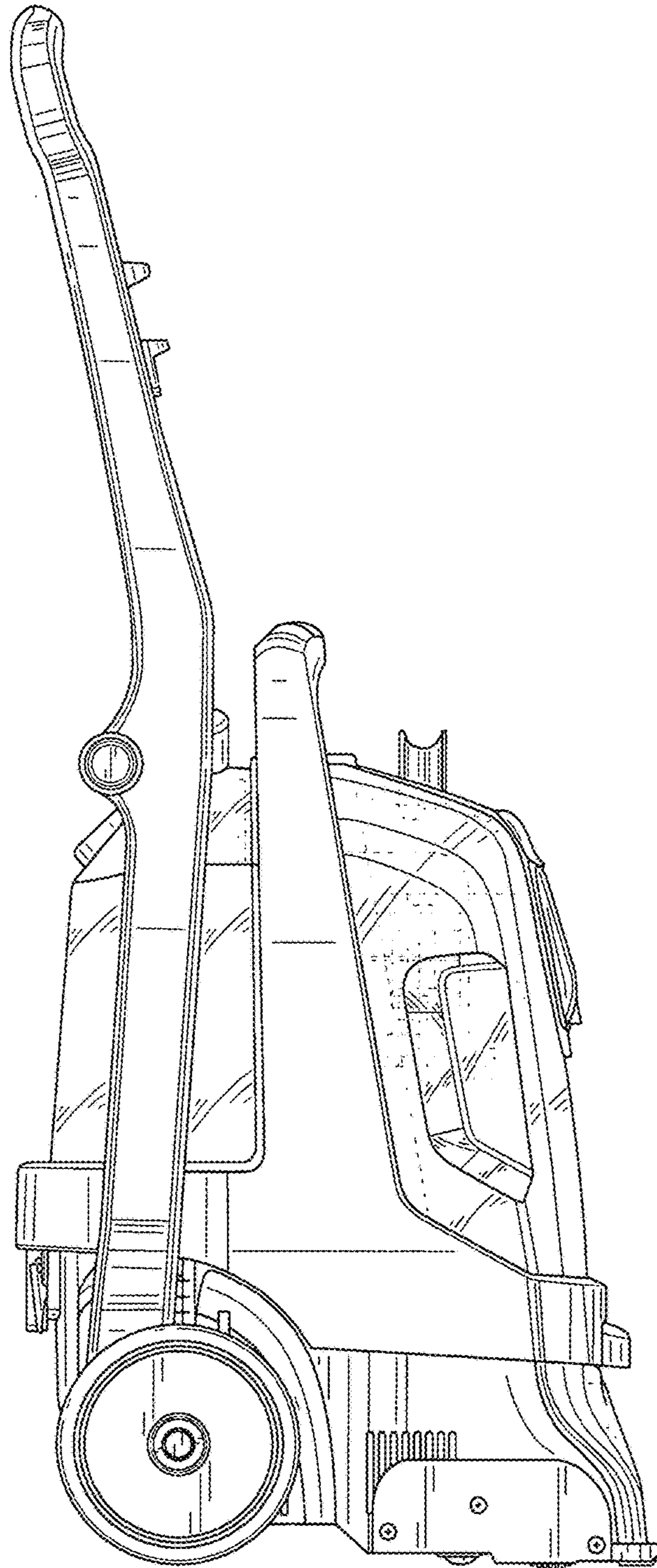


FIG. 11

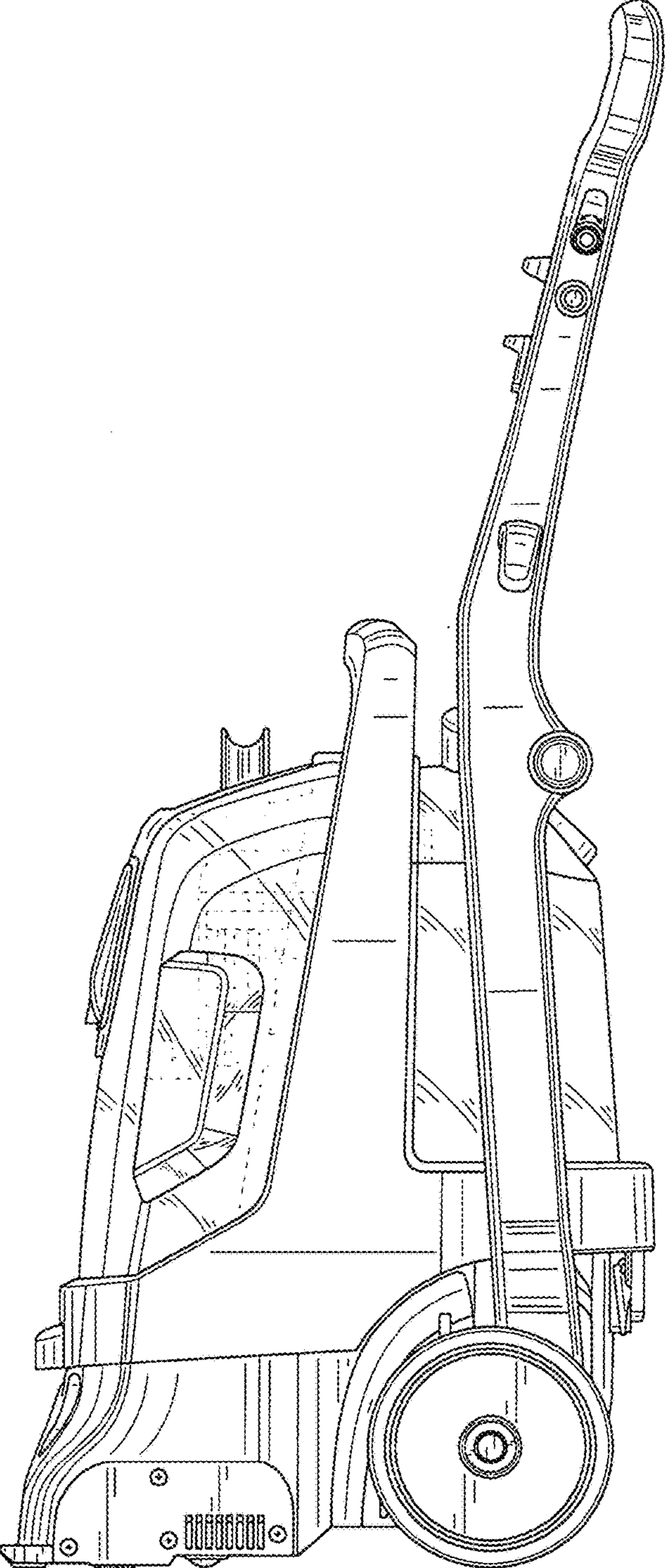


FIG. 12

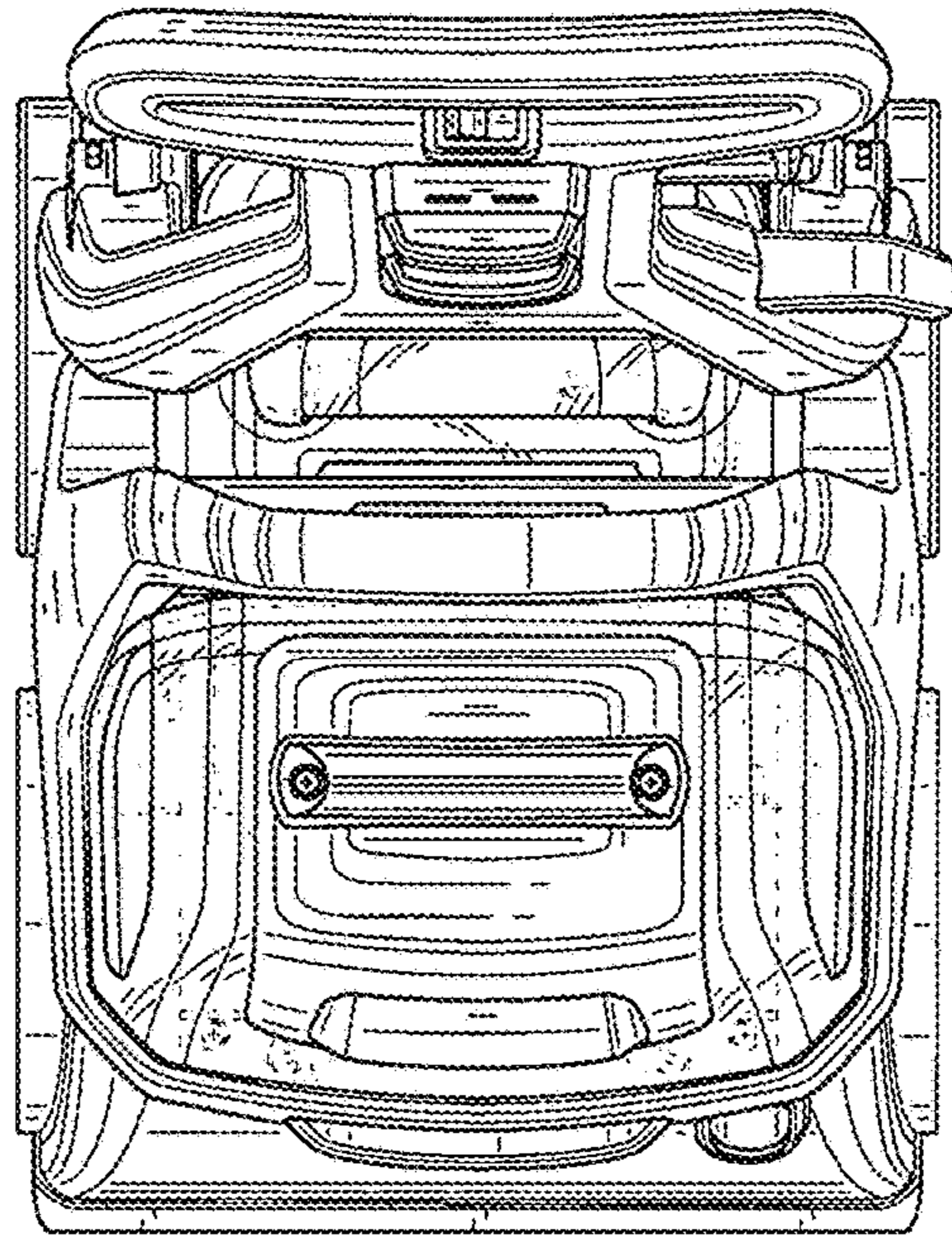


FIG. 13