



US00D849336S

(12) **United States Design Patent**  
**Huang**

(10) **Patent No.:** **US D849,336 S**  
(45) **Date of Patent:** **\*\* May 21, 2019**

(54) **PET WATER FOUNTAIN**

Y10T 137/8376; Y10T  
137/85954-137/85978

(71) Applicant: **Junzhou Huang**, Guangdong (CN)

See application file for complete search history.

(72) Inventor: **Junzhou Huang**, Guangdong (CN)

(56) **References Cited**

(\*\*) Term: **15 Years**

U.S. PATENT DOCUMENTS

(21) Appl. No.: **29/624,707**

968,613	A *	8/1910	Lee	.....	A01K 7/00 119/72
D153,334	S *	4/1949	Beaver	.....	D23/215
2,568,534	A *	9/1951	Baker	.....	A47B 3/12 108/150
2,611,645	A *	9/1952	Forman	.....	B05B 3/00 239/211
D196,777	S *	11/1963	Haynes	.....	D27/133
D206,214	S *	11/1966	Erbe	.....	D23/201
3,884,383	A *	5/1975	Burch	.....	B65D 1/26 206/119
3,944,138	A *	3/1976	Easton	.....	B05B 1/14 239/18
4,018,004	A *	4/1977	Soffer	.....	A01G 27/00 261/91
4,026,067	A *	5/1977	Wengel	.....	A01G 9/04 211/1.51

(22) Filed: **Nov. 3, 2017**

(30) **Foreign Application Priority Data**

Sep. 21, 2017 (CN) ..... 2017 3 0449497

(51) **LOC (11) Cl.** ..... **30-03**

(52) **U.S. Cl.**  
USPC ..... **D30/132**

(58) **Field of Classification Search**  
USPC ..... D30/123, 129, 132, 121; 119/69.5, 673, 119/57.8, 68, 74, 61.57, 78-81, 61.4, 119/57.9, 51.5, 61.5, 72, 475; 47/66.6, 47/39, 67, 83; 239/280, 200, 281, 280.5, 239/273, 16-32, 211, 216, 288.5; 4/644, 4/627, 638; D7/558; D11/144, 145, 153; D99/5, 24; 27/1; D23/201, 292, 204, D23/205, 214-216, 221, 222, 228, 229, D23/233, 200, 212, 213; 248/127, 132, 248/137, 138, 158, 910; 215/10; D6/353, 352, 484, 360, 480, 488; 219/521; 329/442, 459; 99/452, 483; 40/406, 407; 261/29, 106, 73; 137/560, 137/563, 801; 55/385.2; 417/527, 313; 431/292-294, 289; 362/101; D26/6, 9; D32/75; D8/1  
CPC ... A01K 7/00; A01K 7/02; A01K 7/06; A01K 7/04; A01K 7/005; A01K 7/022; A01K 7/025; A01K 7/027; A01K 5/0216; A01K 39/02; F04B 23/00; F04B 23/02; F04B 23/021; F04B 23/026; B05B 17/08; B05B 17/085; B01D 35/30; Y10T 137/86035;

(Continued)

*Primary Examiner* — Susan Moon Lee

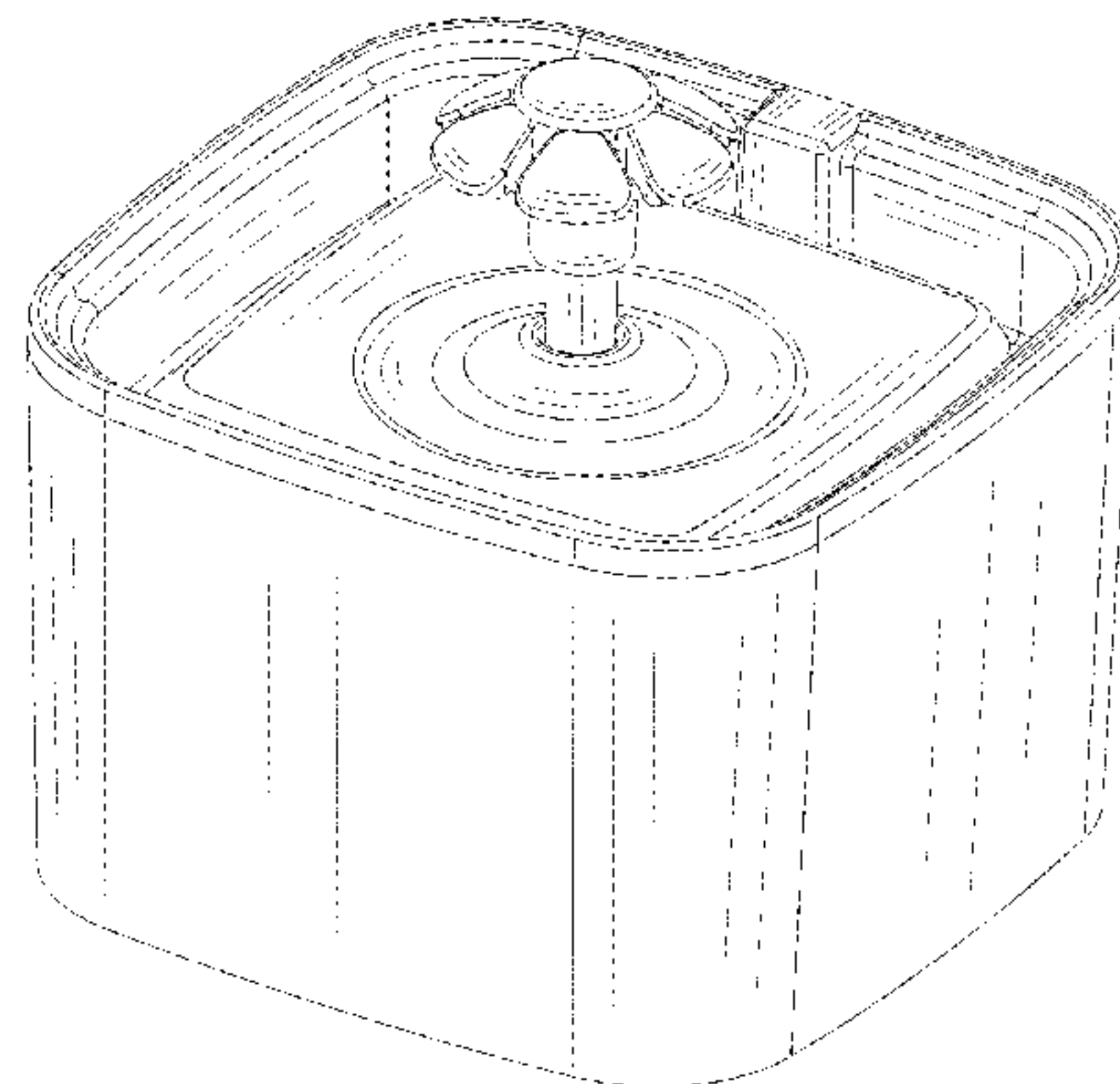
(57) **CLAIM**

The ornamental design for a pet water fountain, as shown and described.

**DESCRIPTION**

FIG. 1 is a front elevational view of a pet water fountain showing my new design;  
FIG. 2 is a left side view thereof;  
FIG. 3 is a right side view thereof;  
FIG. 4 is a top plan view thereof;  
FIG. 5 is a bottom plan view thereof; and,  
FIG. 6 is a perspective view thereof.  
The appearance of the rear of the pet water fountain is omitted and forms no part of the claimed design.

**1 Claim, 6 Drawing Sheets**



(56)

References Cited

U.S. PATENT DOCUMENTS

D254,453 S \* 3/1980 Strong ..... D30/132  
 D255,920 S \* 7/1980 Antonell ..... D23/215  
 4,286,546 A \* 9/1981 Moore ..... A01K 7/005  
 119/61.54  
 D285,498 S \* 9/1986 Thibault ..... D30/132  
 4,833,999 A \* 5/1989 Rhoades ..... A22C 25/06  
 108/150  
 D315,193 S \* 3/1991 Lach ..... D23/213  
 5,050,801 A \* 9/1991 Ferrari ..... B05B 3/00  
 239/211  
 D394,468 S \* 5/1998 Leadbetter ..... D21/496  
 D394,827 S \* 6/1998 Ruthenberg ..... D11/155  
 5,806,460 A \* 9/1998 Klein ..... A01K 39/00  
 119/72  
 5,823,431 A \* 10/1998 Pierce ..... B05B 17/08  
 239/19  
 5,862,984 A \* 1/1999 Chang ..... B05B 17/08  
 239/16  
 D412,297 S \* 7/1999 Roach ..... D11/152  
 D413,156 S \* 8/1999 Robinson ..... D23/201  
 5,931,382 A \* 8/1999 Gross ..... B01F 3/0473  
 239/17  
 D443,081 S \* 5/2001 Klett ..... D26/7  
 6,345,466 B1 \* 2/2002 Venanzi ..... A01G 9/022  
 47/39  
 6,390,323 B1 \* 5/2002 Alticosalian ..... A01K 5/0128  
 220/495.03  
 6,499,430 B2 \* 12/2002 Garcia-Lucio ..... A01K 7/00  
 119/72  
 6,526,916 B1 \* 3/2003 Perlswieg ..... A01K 7/06  
 119/74

D472,604 S \* 4/2003 Fritze ..... D23/209  
 D475,116 S \* 5/2003 Chan ..... D23/201  
 6,592,053 B2 \* 7/2003 Ericksen ..... B05B 17/08  
 239/16  
 D506,527 S \* 6/2005 Chang ..... D23/217  
 6,981,652 B2 \* 1/2006 Lin ..... B05B 17/08  
 239/16  
 7,007,634 B1 \* 3/2006 Pederson ..... A01K 7/04  
 119/78  
 D572,415 S \* 7/2008 Dye, Jr. .... D30/123  
 D576,249 S \* 9/2008 Camacho ..... D23/201  
 D584,430 S \* 1/2009 Furner ..... D26/9  
 D591,863 S \* 5/2009 Holtsnider ..... D24/201  
 7,699,603 B2 \* 4/2010 Furner ..... F21V 23/04  
 431/289  
 D631,128 S \* 1/2011 Laporta ..... D23/201  
 D682,481 S \* 5/2013 Krueger ..... D30/124  
 D698,097 S \* 1/2014 Muhr ..... D30/124  
 D820,533 S \* 6/2018 Huang ..... D30/132  
 10,165,753 B1 \* 1/2019 Huang ..... A01K 7/02  
 2006/0027179 A1 \* 2/2006 Welbourne ..... A01K 7/06  
 119/75  
 2006/0174838 A1 \* 8/2006 Plante ..... A01K 7/02  
 119/74  
 2008/0087225 A1 \* 4/2008 Lin ..... A01K 39/02  
 119/72  
 2010/0095897 A1 \* 4/2010 Rowe ..... A01K 7/00  
 119/72  
 2013/0174790 A1 \* 7/2013 Lipscomb ..... A01K 7/02  
 119/74  
 2013/0291802 A1 \* 11/2013 Carpentieri ..... A01K 7/00  
 119/72  
 2014/0076242 A1 \* 3/2014 Ho ..... A01K 7/04  
 119/74

\* cited by examiner

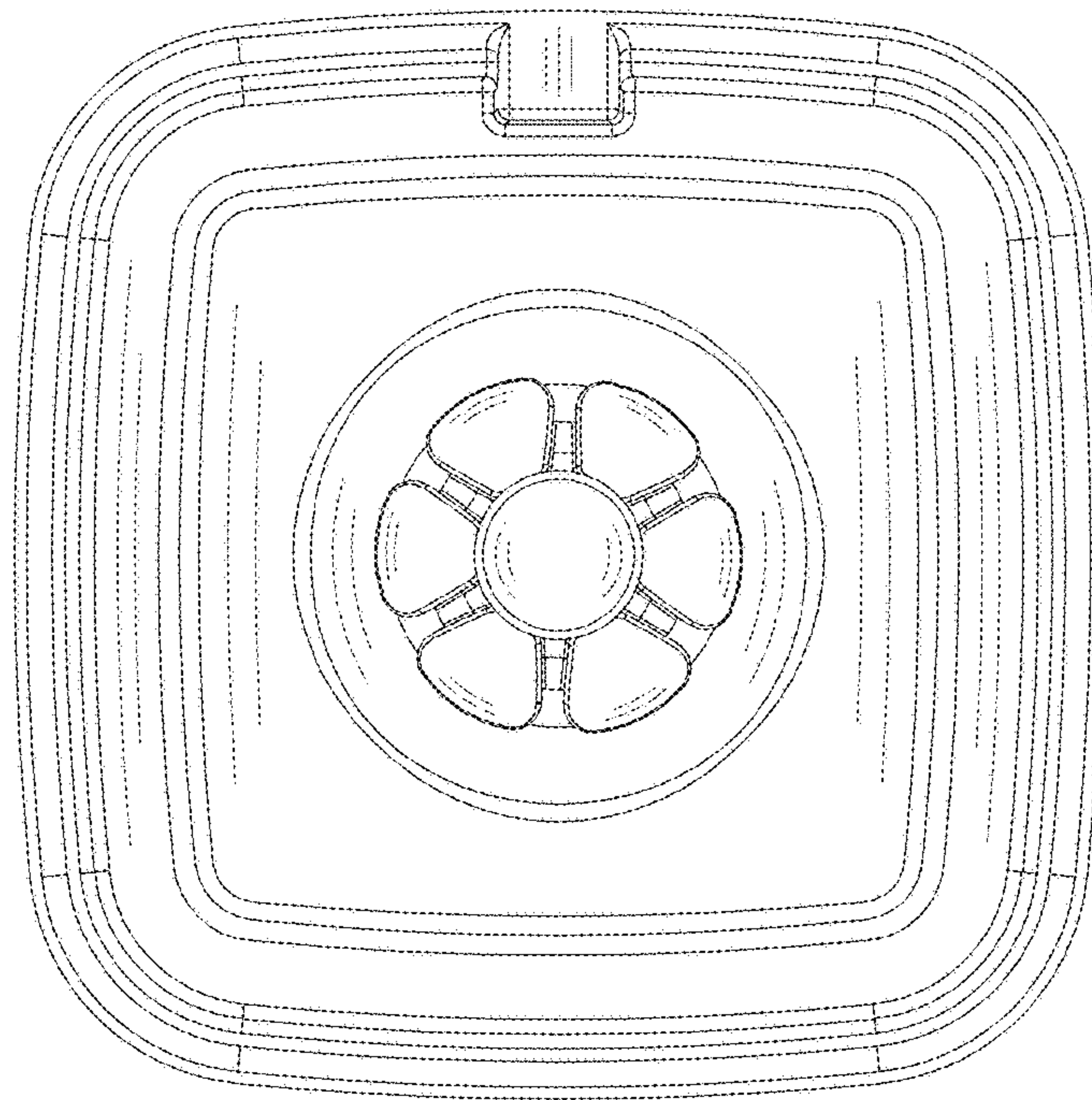


Fig.1

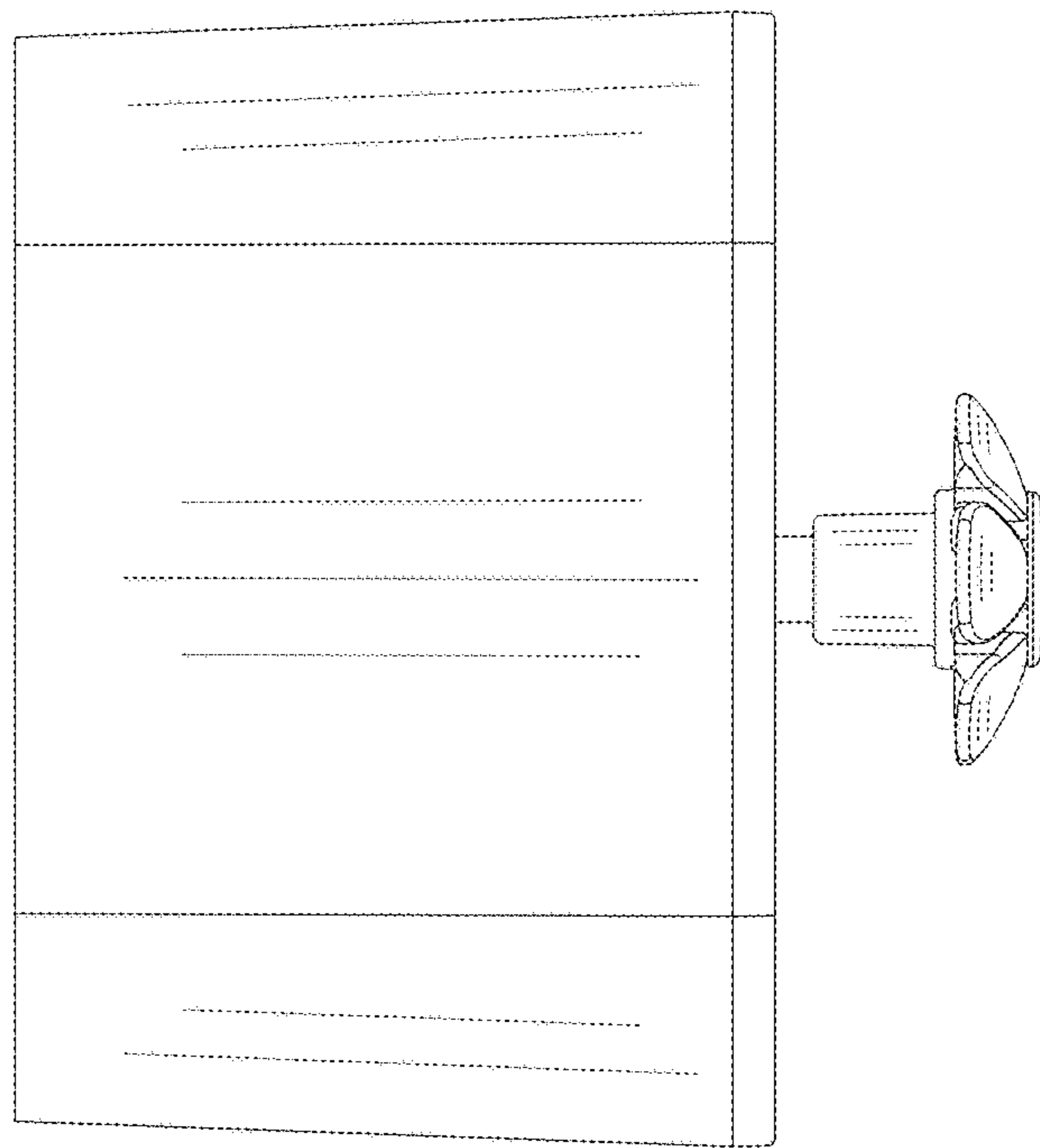


Fig.2

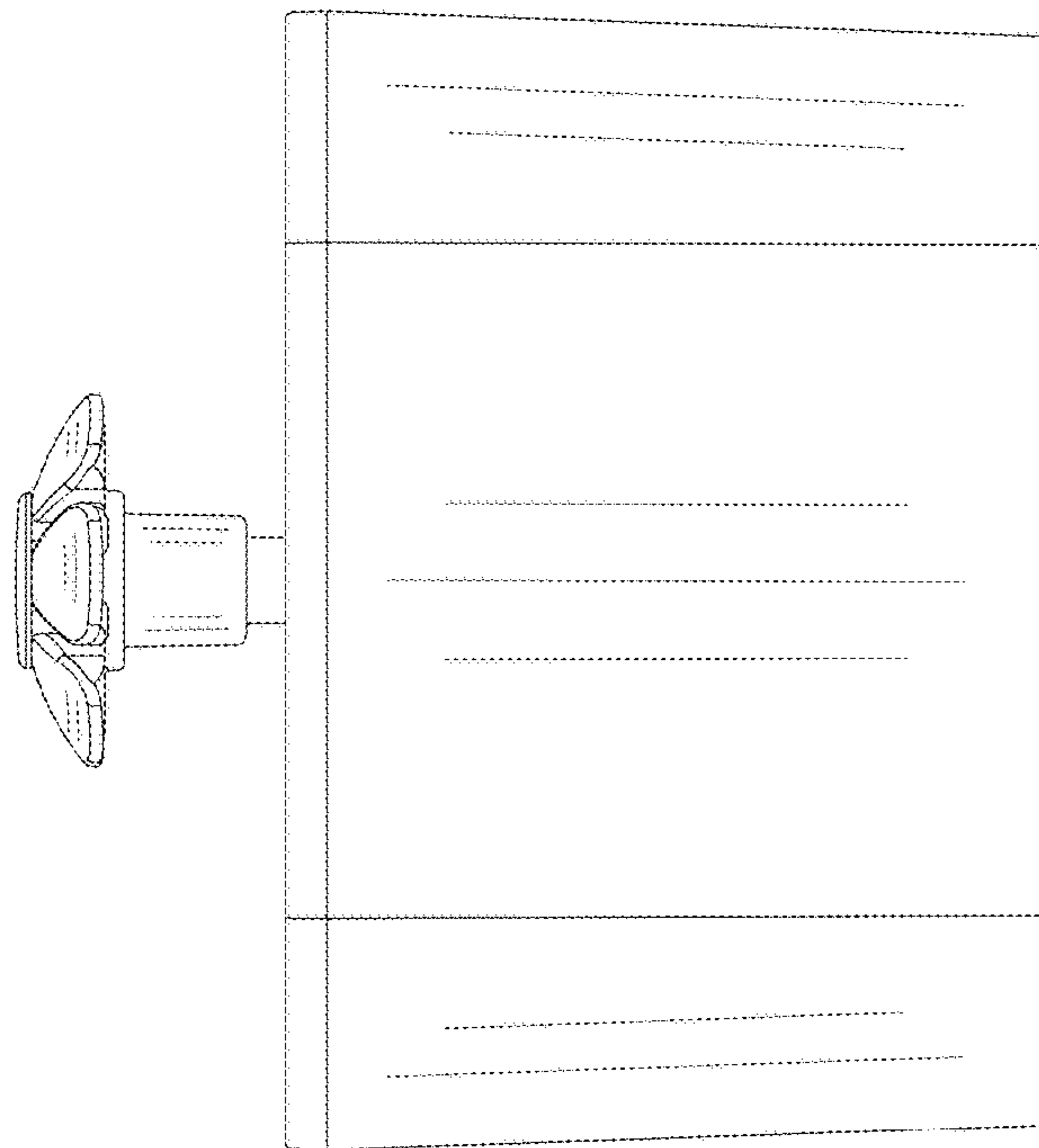


Fig. 3



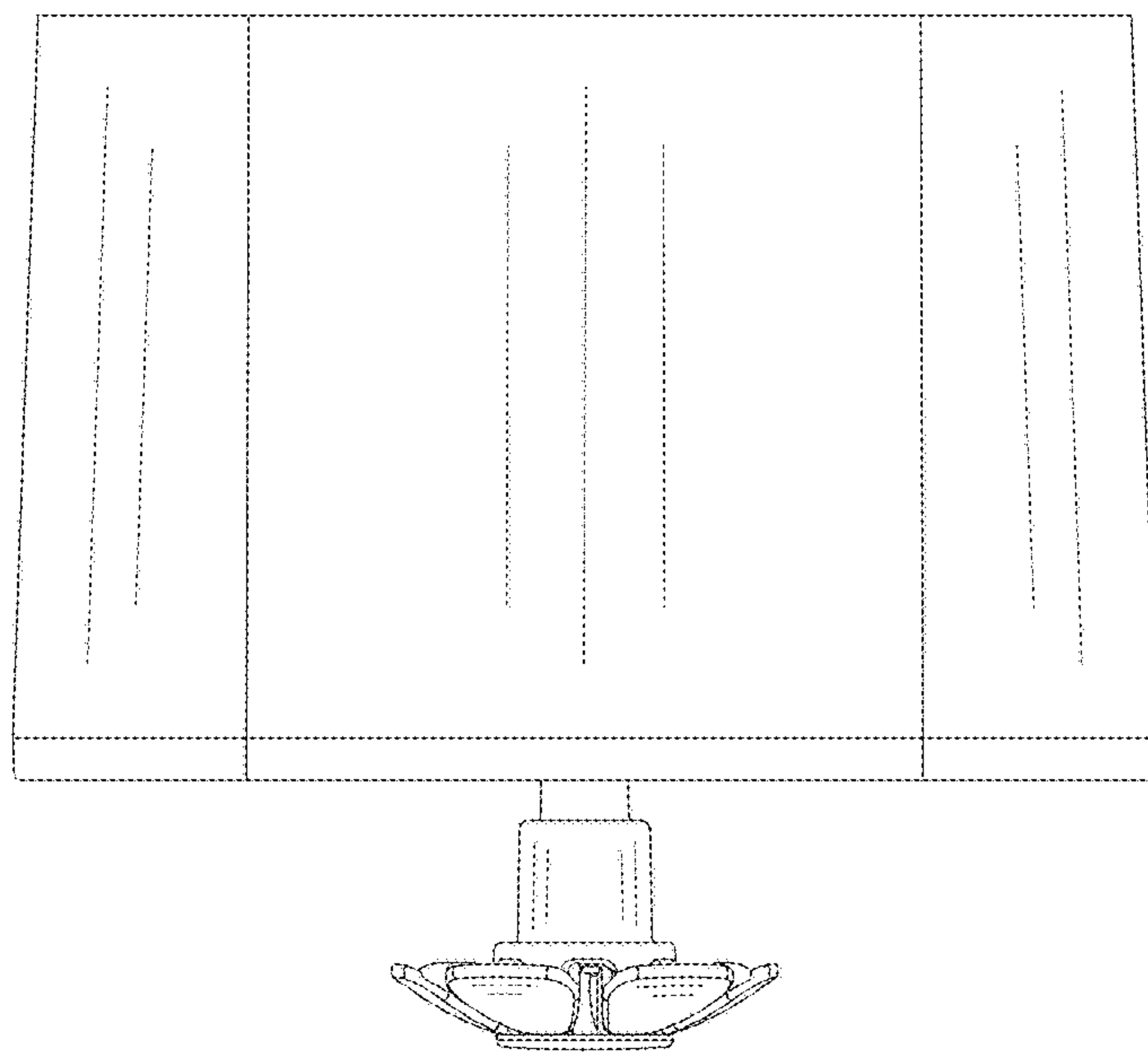


Fig.4

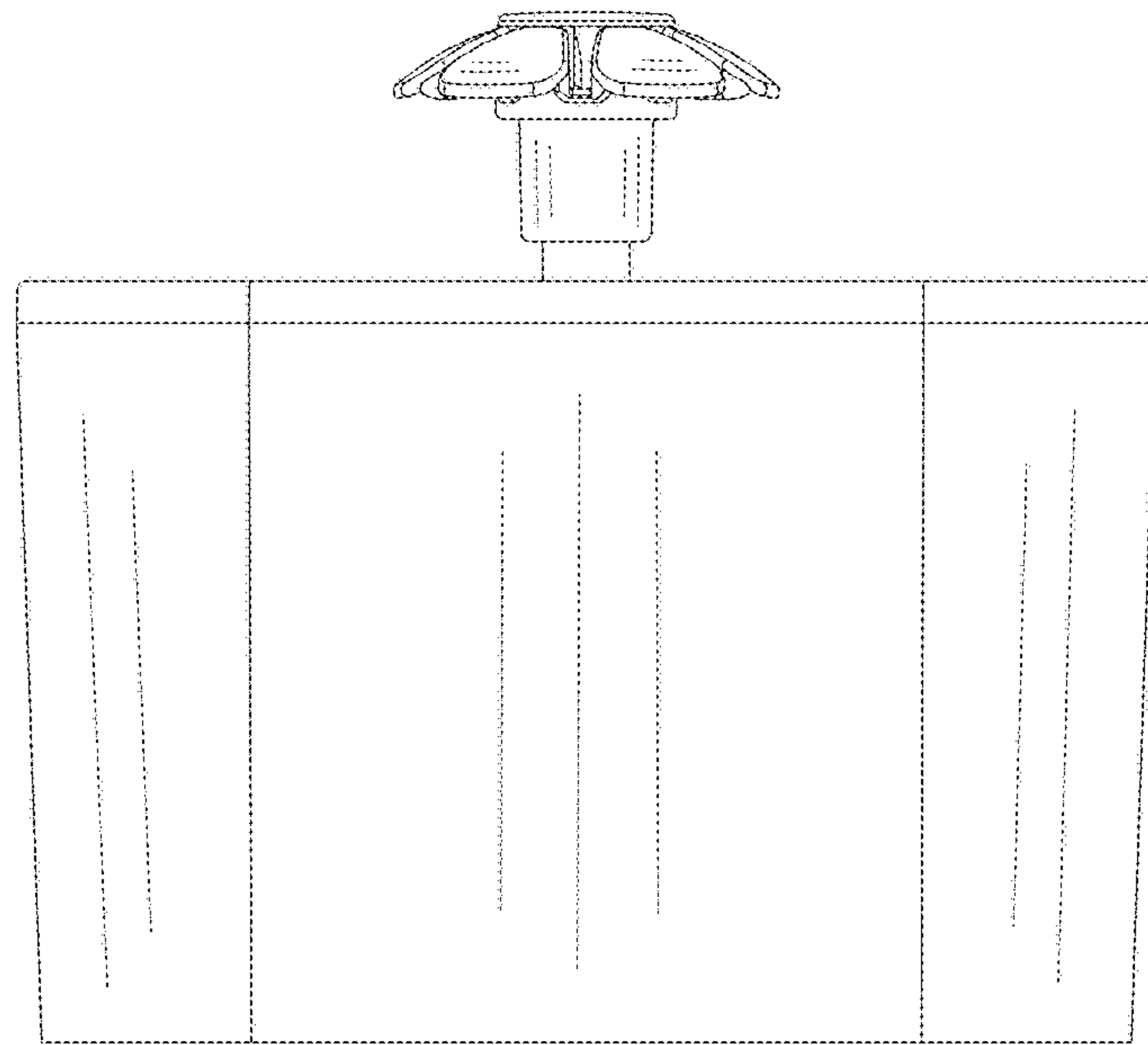


Fig. 5

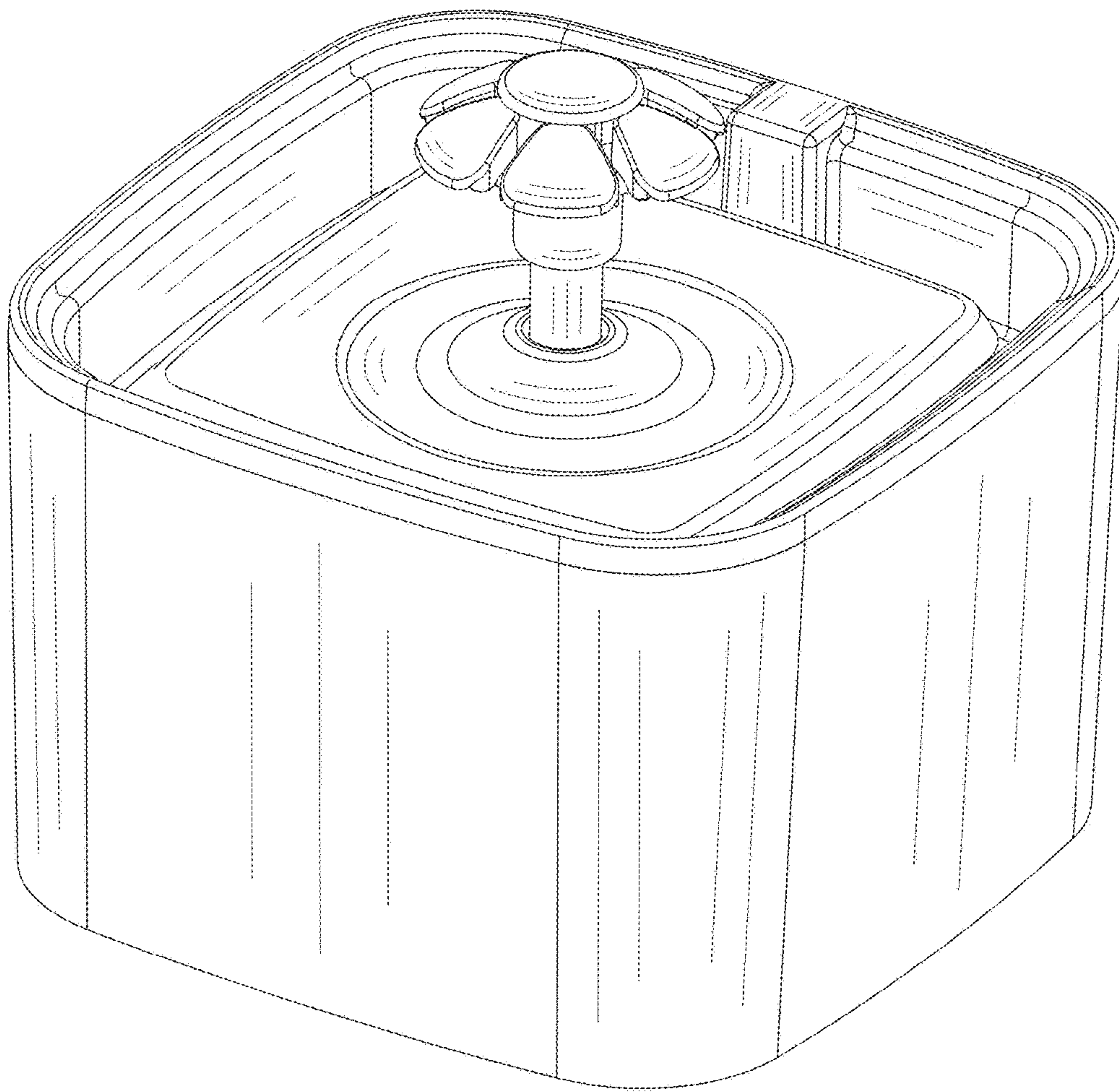


Fig. 6