



US00D849330S

(12) **United States Design Patent**
Now

(10) **Patent No.:** **US D849,330 S**
(45) **Date of Patent:** **** May 21, 2019**

(54) **FULLY MASKED PROTECTIVE JACKET**

(71) Applicant: **Leo Now**, San Francisco, CA (US)

(72) Inventor: **Leo Now**, San Francisco, CA (US)

(**) Term: **15 Years**

(21) Appl. No.: **29/661,471**

(22) Filed: **Aug. 28, 2018**

(51) **LOC (11) Cl.** **29-02**

(52) **U.S. Cl.**
USPC **D29/108**

(58) **Field of Classification Search**
USPC D29/100, 102, 105, 106, 107, 110, 122;
D2/878, 880, 881; D24/110.1; 2/455,
2/456, 410, 423, 424, 425.9, 171, 173,
2/206, 207, 906; 128/857, 858, 201.22,
128/201.24, 206.21
CPC .. A42B 3/18; A42B 3/185; A42B 3/20; A42B
3/32; A42B 3/322; A42B 3/00; A63B
71/10; A63B 2071/105; A61F 9/04; A61F
9/045; A61F 9/06
See application file for complete search history.

(56) **References Cited**

U.S. PATENT DOCUMENTS

160,844 A	3/1875	Schwarz	
1,077,177 A	10/1913	Vagas	
1,309,783 A *	7/1919	Slawin A41D 13/11 2/206
1,810,486 A *	6/1931	Lancaster A45D 44/22 128/206.24
D97,864 S *	12/1935	Proctor D29/108
D113,429 S *	2/1939	Mehl D29/108
D125,339 S *	2/1941	Jaslow D21/659
2,252,423 A *	8/1941	Baddour A61F 7/007 219/527
2,560,598 A	7/1951	Rinis	
3,211,146 A *	10/1965	Rodelli A45D 44/22 604/303
3,271,781 A	9/1966	Sontag	

3,531,952 A	10/1970	Chesebro	
3,561,010 A	2/1971	Little	
3,717,882 A	2/1973	Schuessler	
3,740,767 A	6/1973	Schuessler	
D262,155 S	12/1981	Schjott	
D285,815 S	9/1986	Finn	
4,657,010 A *	4/1987	Wright A61M 16/06 128/205.25
D292,438 S *	10/1987	Lyke D28/9

(Continued)

Primary Examiner — Elizabeth J Oswecki

(74) *Attorney, Agent, or Firm* — Quickpatents, LLC;
Kevin Prince

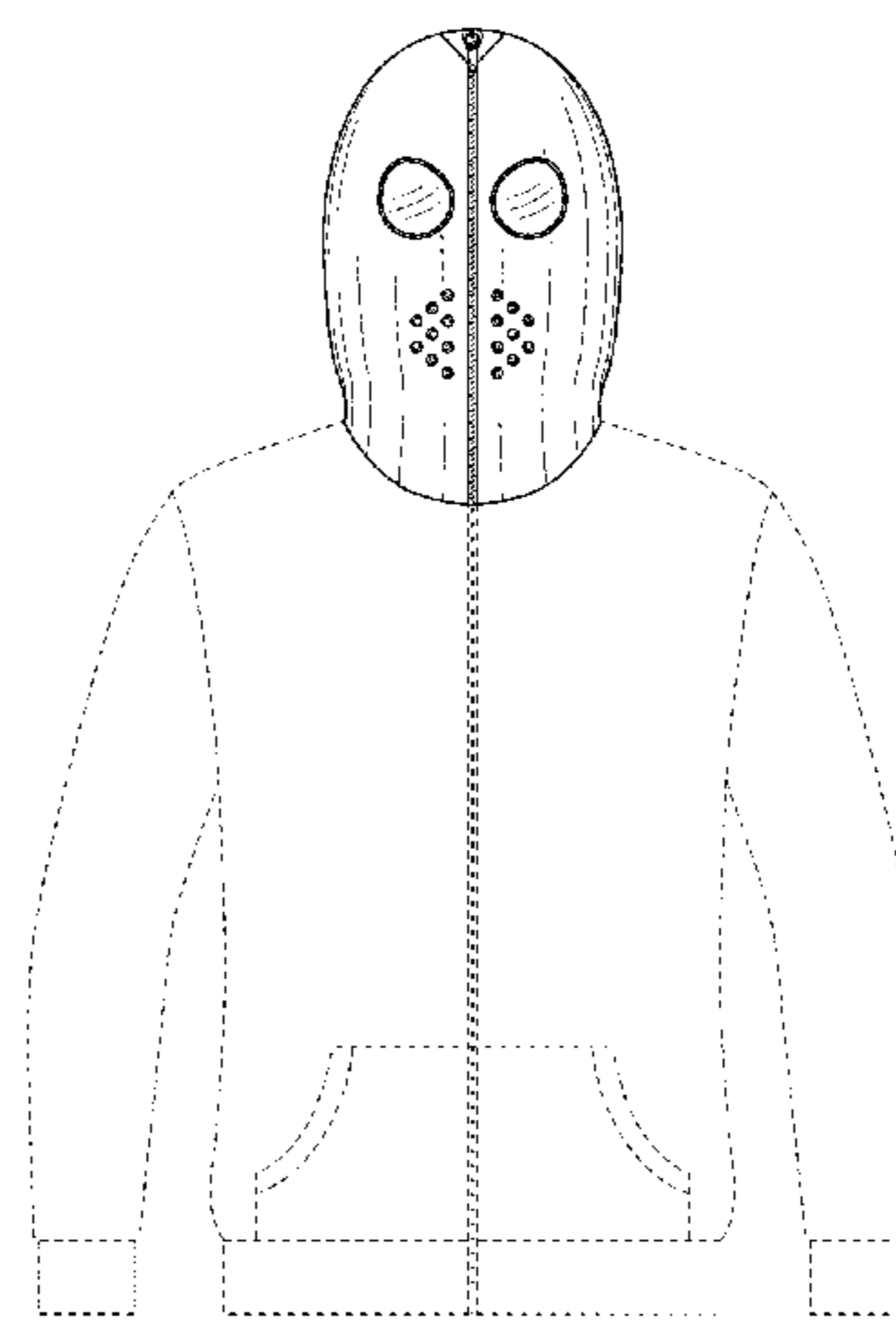
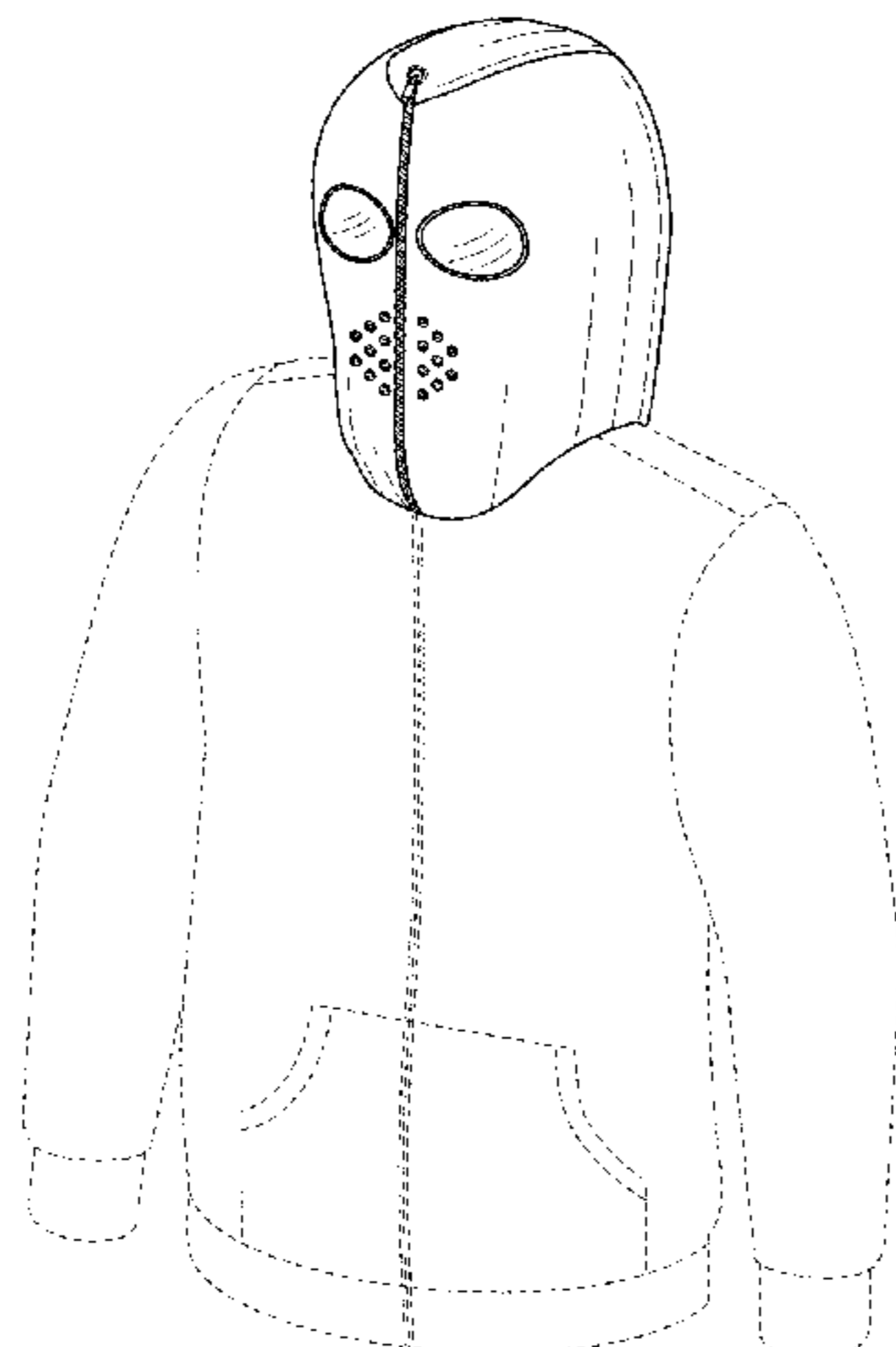
(57) **CLAIM**

The ornamental design for a fully masked protective jacket,
as shown and described.

DESCRIPTION

FIG. 1 is a perspective view of a fully masked protective jacket, showing my new design with the hood in a closed position;
FIG. 2 is a front elevational view of FIG. 1;
FIG. 3 is a rear elevational view of FIG. 1;
FIG. 4 is a left side elevational view of FIG. 1;
FIG. 5 is a right side elevational view of FIG. 1;
FIG. 6 is a top plan view of FIG. 1;
FIG. 7 is a bottom plan view of FIG. 1;
FIG. 8 is a perspective view of FIG. 1, with the hood in an open position;
FIG. 9 is a front elevational view of FIG. 8;
FIG. 10 is a rear elevational view of FIG. 8;
FIG. 11 is a left side elevational view of FIG. 8;
FIG. 12 is a right side elevational view of FIG. 8;
FIG. 13 is a top plan view of FIG. 8; and,
FIG. 14 is a bottom plan view of FIG. 8.
The broken lines in the figures depict portions of the jacket that form no part of the claimed design.

1 Claim, 10 Drawing Sheets



(56)

References Cited

U.S. PATENT DOCUMENTS

D293,829 S * 1/1988 Johnston D28/9
 D304,869 S * 11/1989 Mattox D24/110.2
 D306,091 S 2/1990 Nykolaychuk
 4,937,880 A * 7/1990 Beard A61F 9/029
 128/206.21
 5,142,706 A 9/1992 Layhon
 D348,974 S 7/1994 Whitwill
 D383,592 S 9/1997 Santilli
 5,713,077 A 2/1998 Humbrecht
 D423,726 S * 4/2000 Backus D29/108
 6,269,489 B1 8/2001 Heath
 D455,236 S * 4/2002 Gatton D29/108
 6,397,395 B1 6/2002 DeHart
 D479,902 S 9/2003 Brown
 D512,204 S 12/2005 Thomas
 D526,094 S * 8/2006 Chen D29/108
 D536,158 S 2/2007 St-Germain
 D551,429 S 9/2007 Wager
 D553,329 S 10/2007 Wager
 D553,330 S 10/2007 Wager
 D558,403 S * 12/2007 Lee D29/108
 D590,133 S 4/2009 Rogondino
 D590,135 S 4/2009 Rogondino
 D593,282 S 6/2009 Rogondino
 D604,910 S * 11/2009 Smaller D29/108
 D637,794 S 5/2011 Gosse
 D641,139 S 7/2011 Shearer
 D662,284 S 6/2012 Lam

D670,037 S * 10/2012 Chen D29/108
 D687,620 S 8/2013 Lurry
 D722,207 S * 2/2015 Welborn D29/108
 D729,457 S * 5/2015 Kim D29/108
 D733,361 S * 6/2015 Welborn D29/108
 D743,110 S * 11/2015 Welborn D29/108
 D750,843 S * 3/2016 Welborn D29/108
 D751,211 S * 3/2016 Moreland D24/189
 D751,768 S * 3/2016 Kim D29/108
 D758,699 S 6/2016 Darmour
 D763,515 S * 8/2016 Chang D29/108
 D765,350 S 9/2016 Kentos
 9,521,873 B1 12/2016 Mignone
 D778,034 S 2/2017 Chapman
 D803,482 S * 11/2017 Greenblat D29/108
 2002/0069449 A1 6/2002 Blutstein
 2005/0125875 A1 6/2005 Cheng
 2005/0160514 A1 7/2005 Flaniken
 2005/0193472 A1 9/2005 Courtney
 2008/0196145 A1 8/2008 Grilliot
 2008/0196146 A1 8/2008 Grilliot
 2008/0282454 A1 11/2008 Prisell
 2009/0055991 A1 3/2009 Johnson
 2009/0178176 A1 7/2009 Rowe
 2010/0031422 A1 2/2010 Grilliot
 2010/0313338 A1 12/2010 Resnick
 2011/0119815 A1 5/2011 Paulson
 2014/0338092 A1 11/2014 Kinsey
 2015/0143604 A1 5/2015 Mizrahi
 2018/0146733 A1 5/2018 Greenblat

* cited by examiner

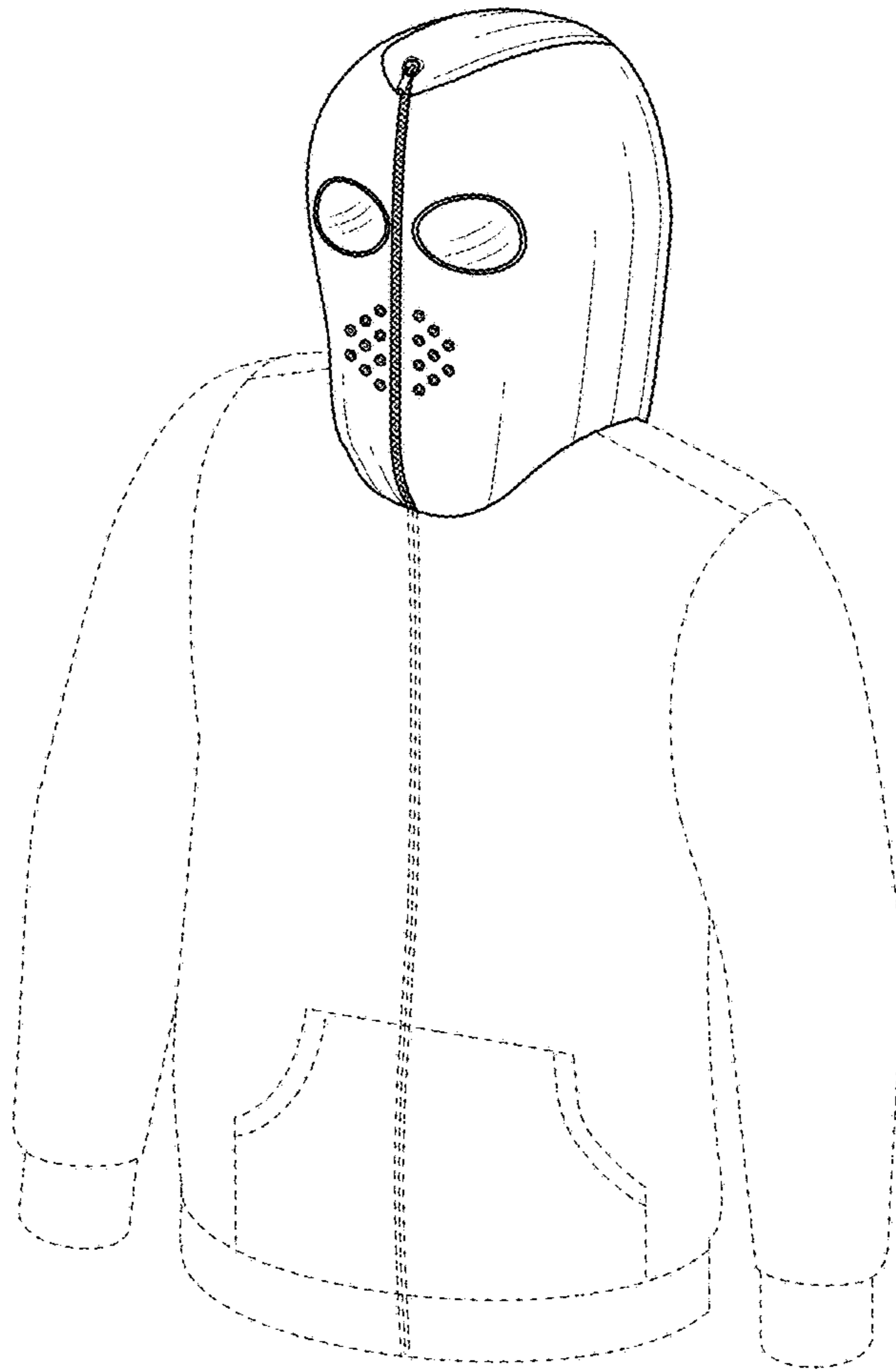


FIG. 1

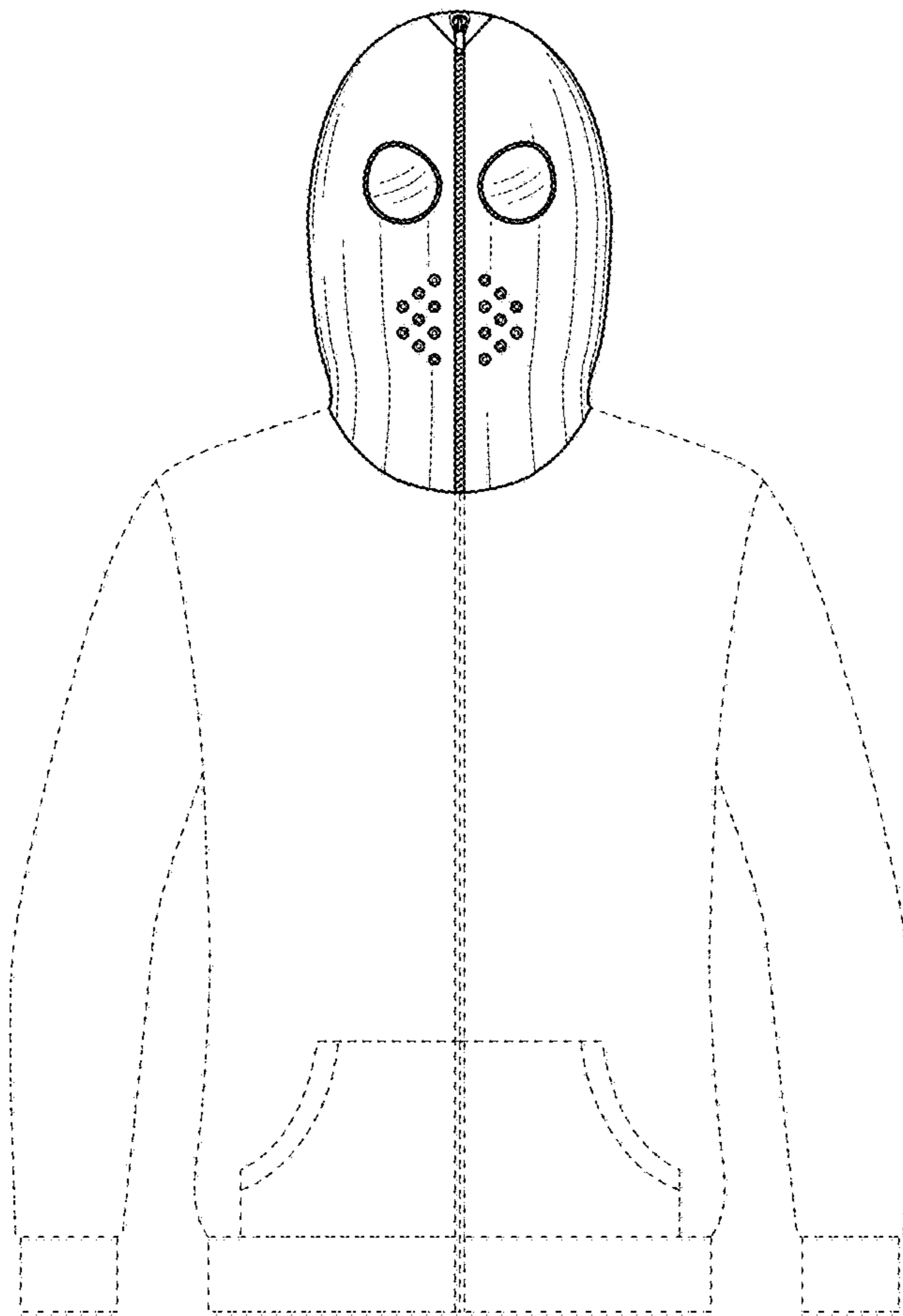


FIG. 2

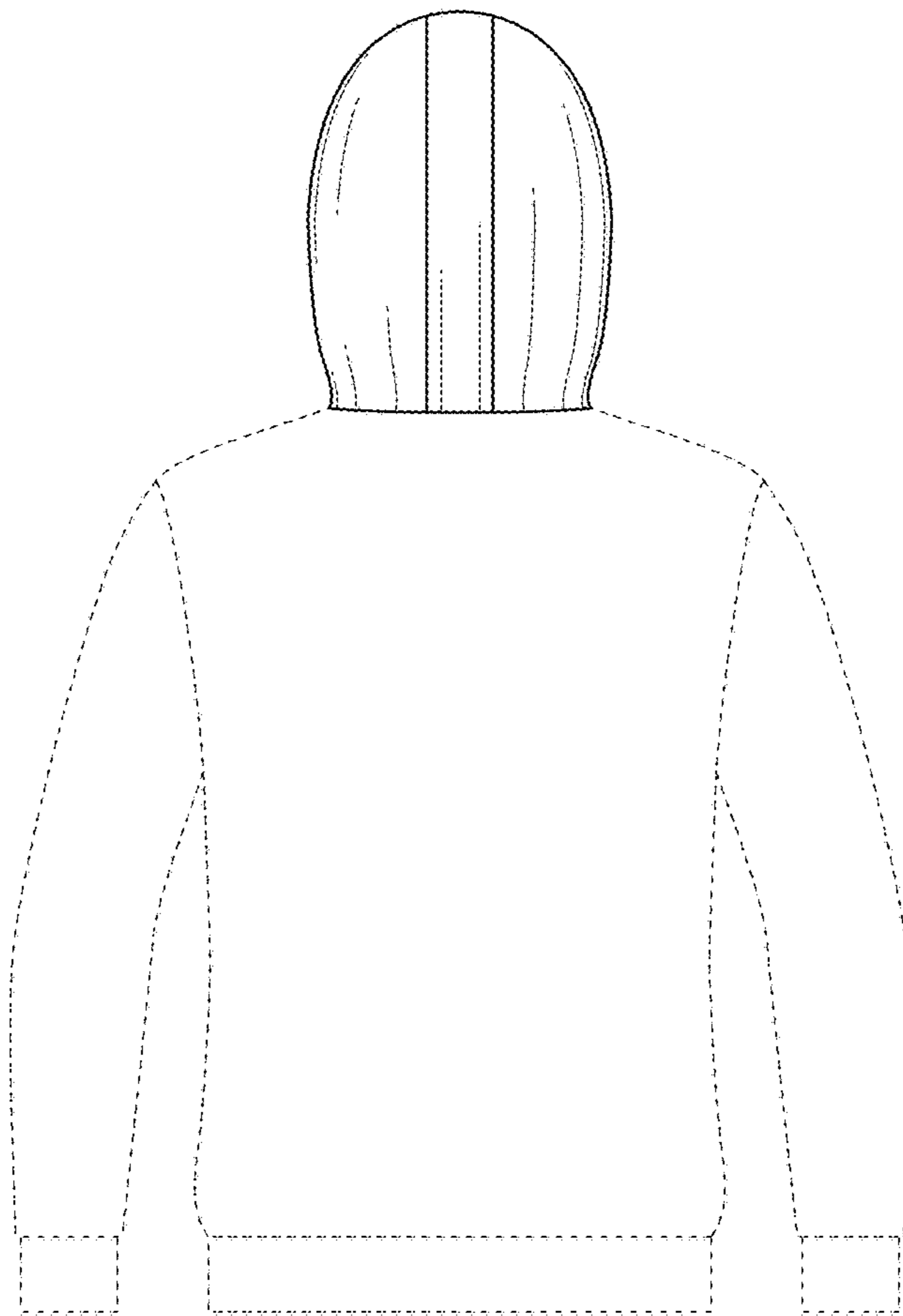


FIG. 3

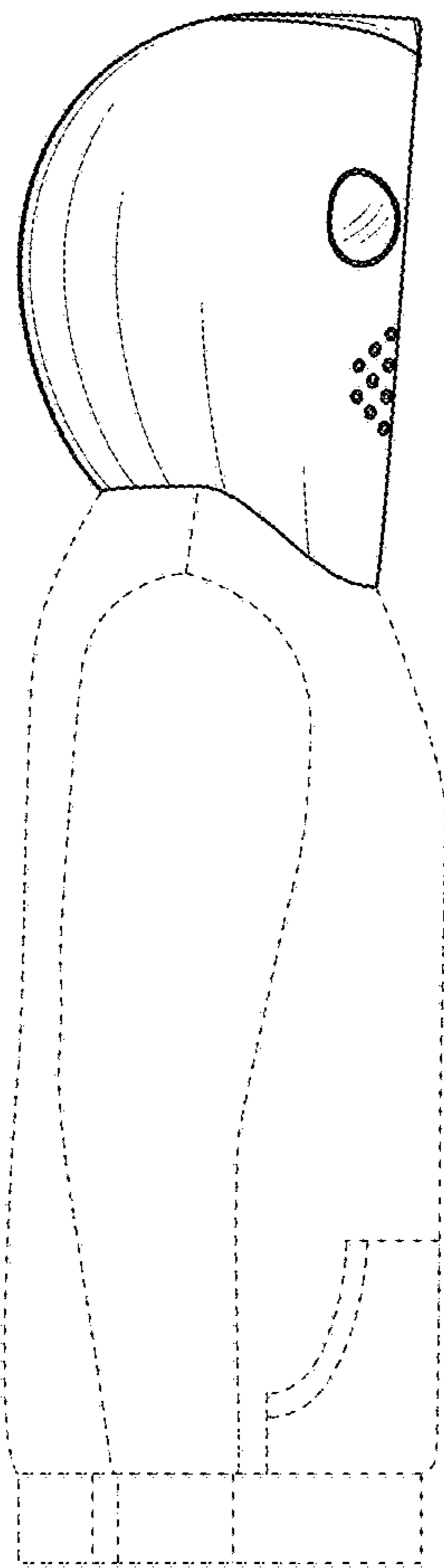


FIG. 4

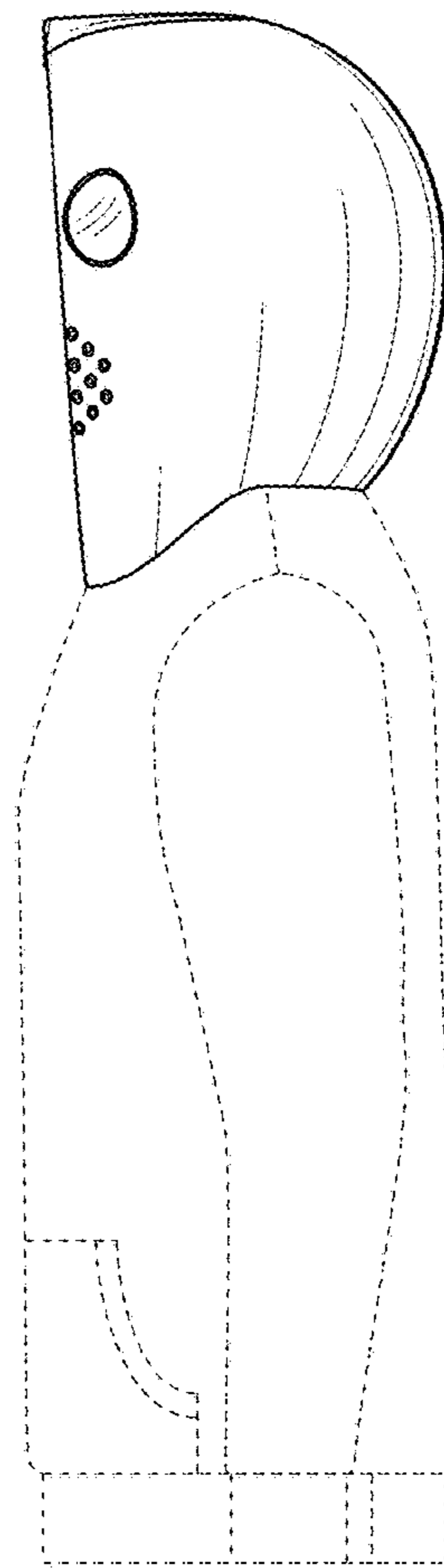


FIG. 5

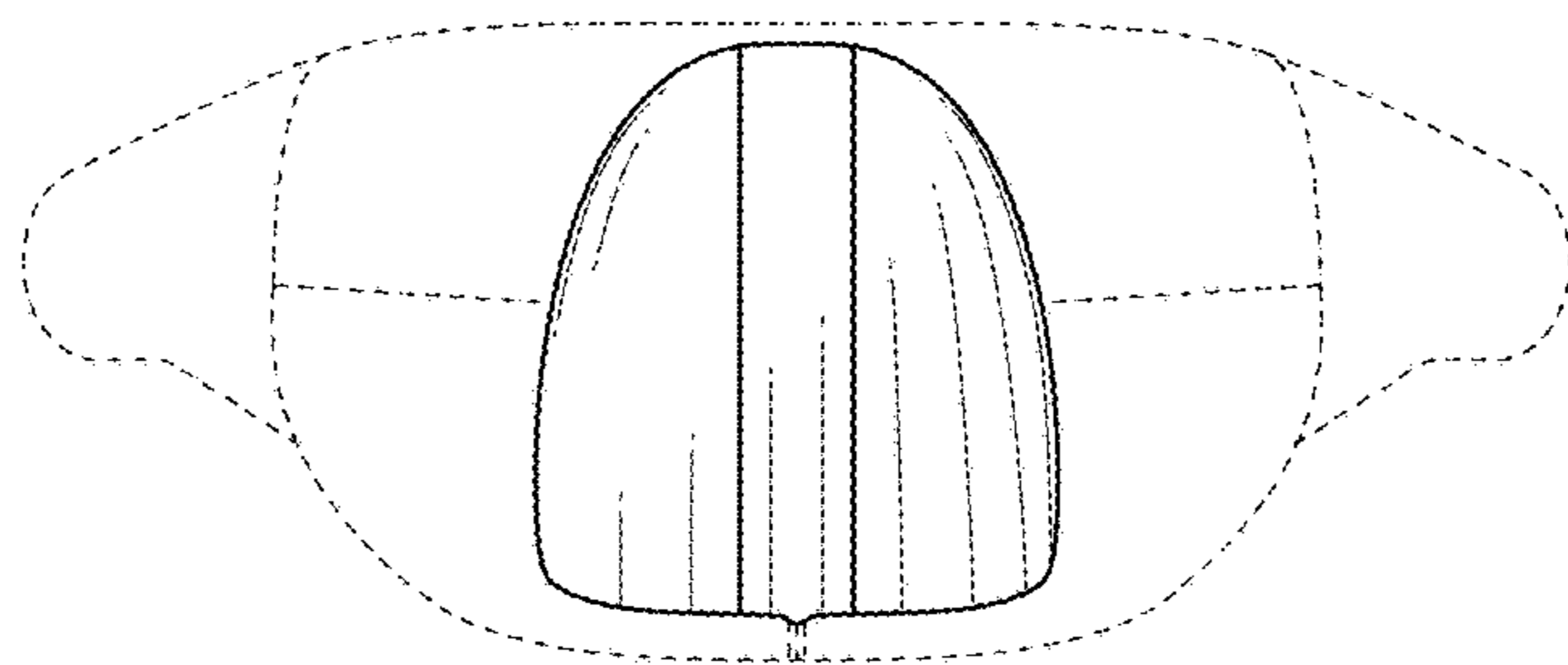


FIG. 6

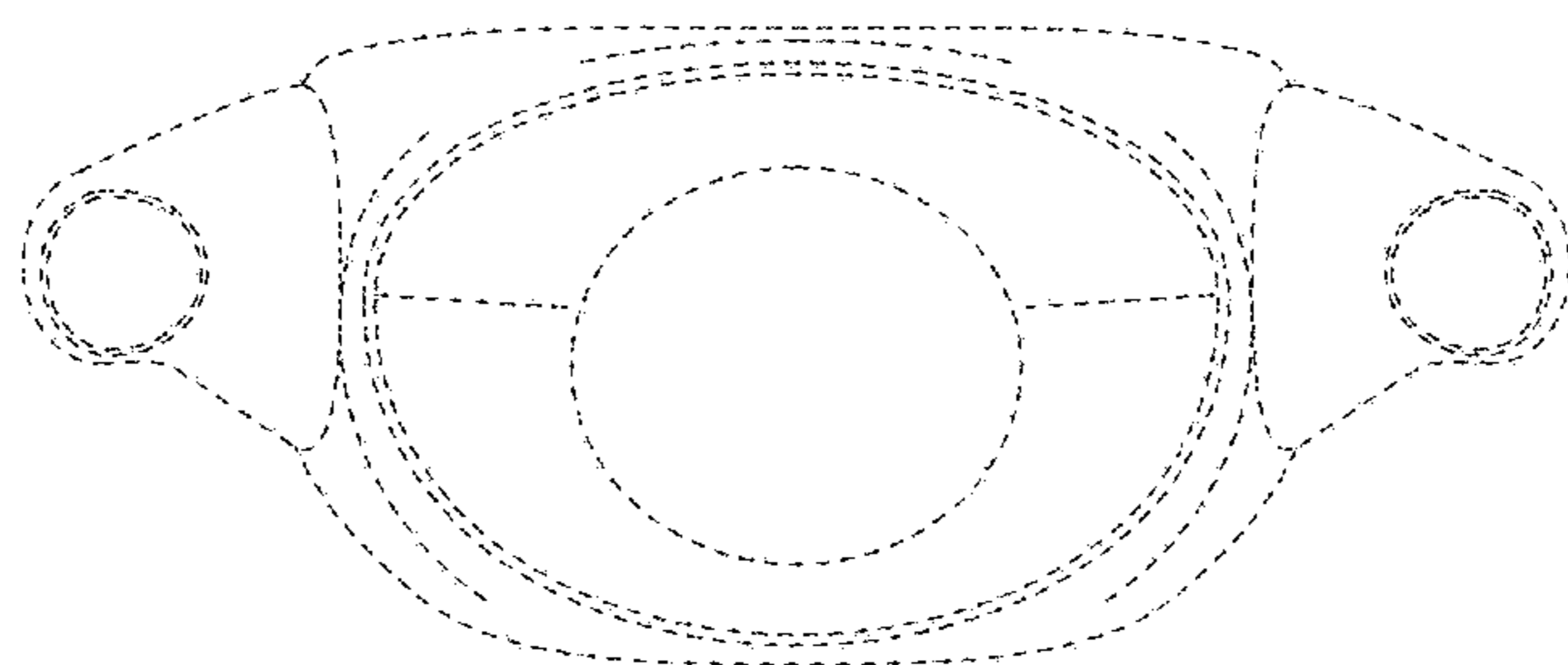


FIG. 7

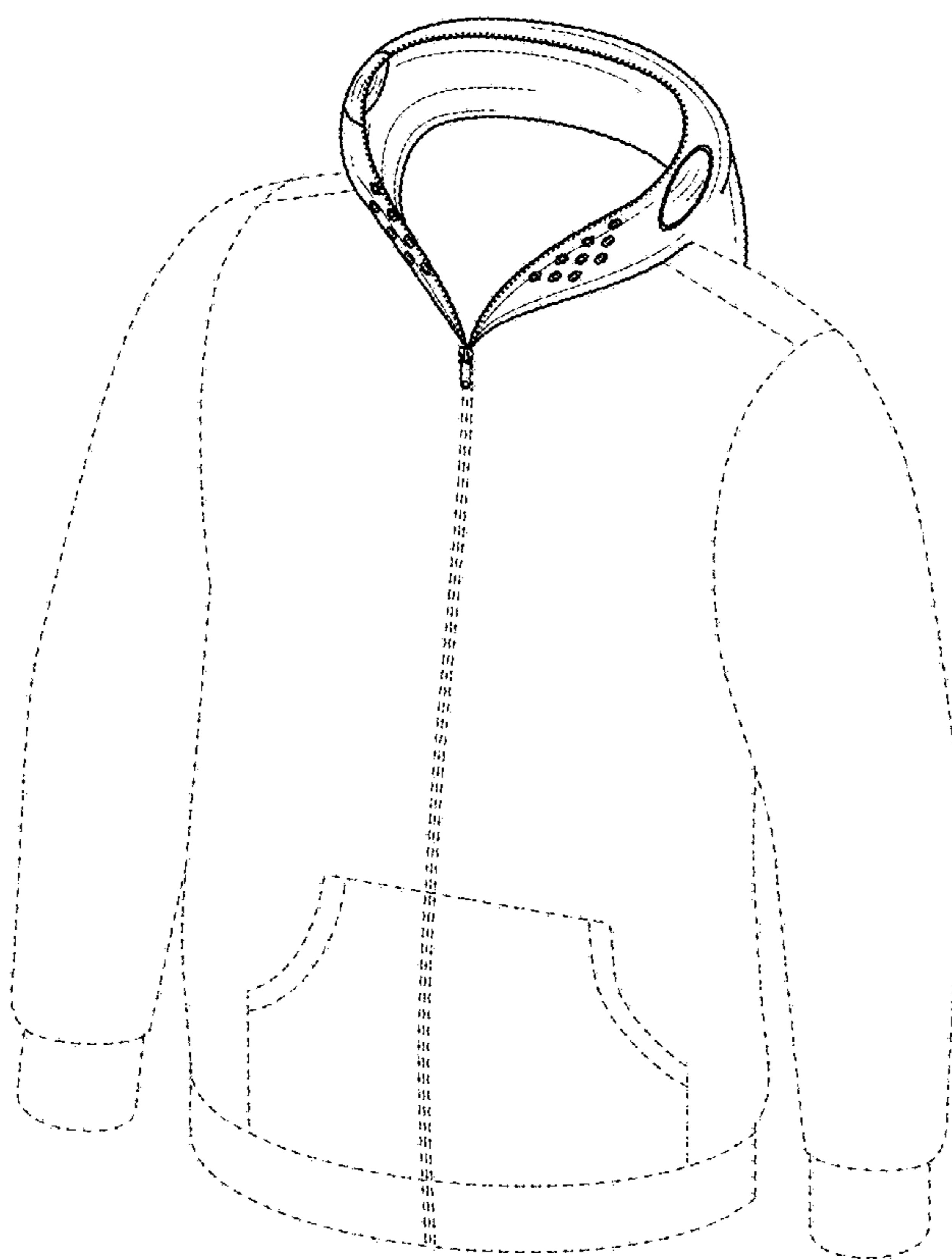


FIG. 8

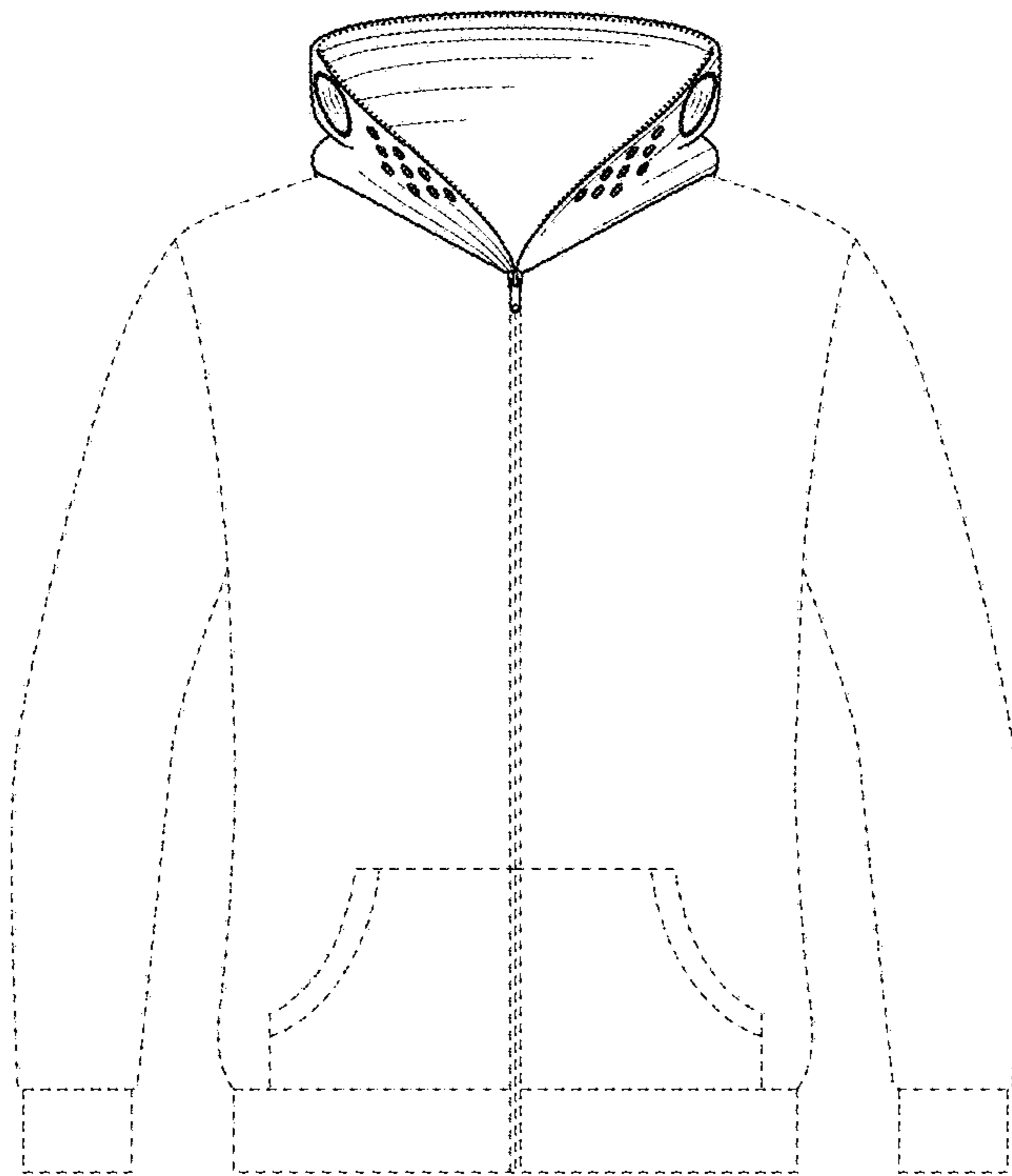


FIG. 9

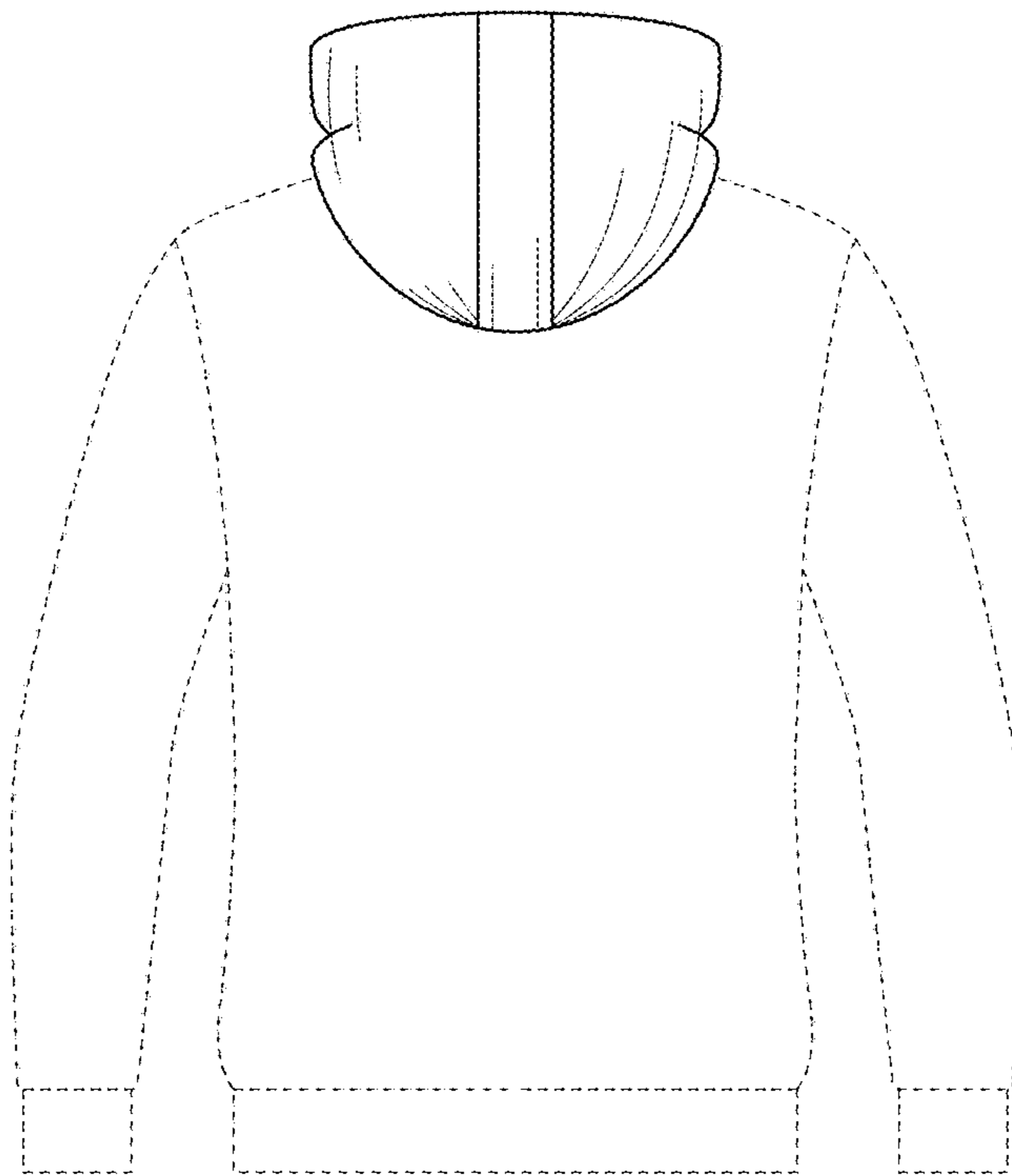


FIG. 10

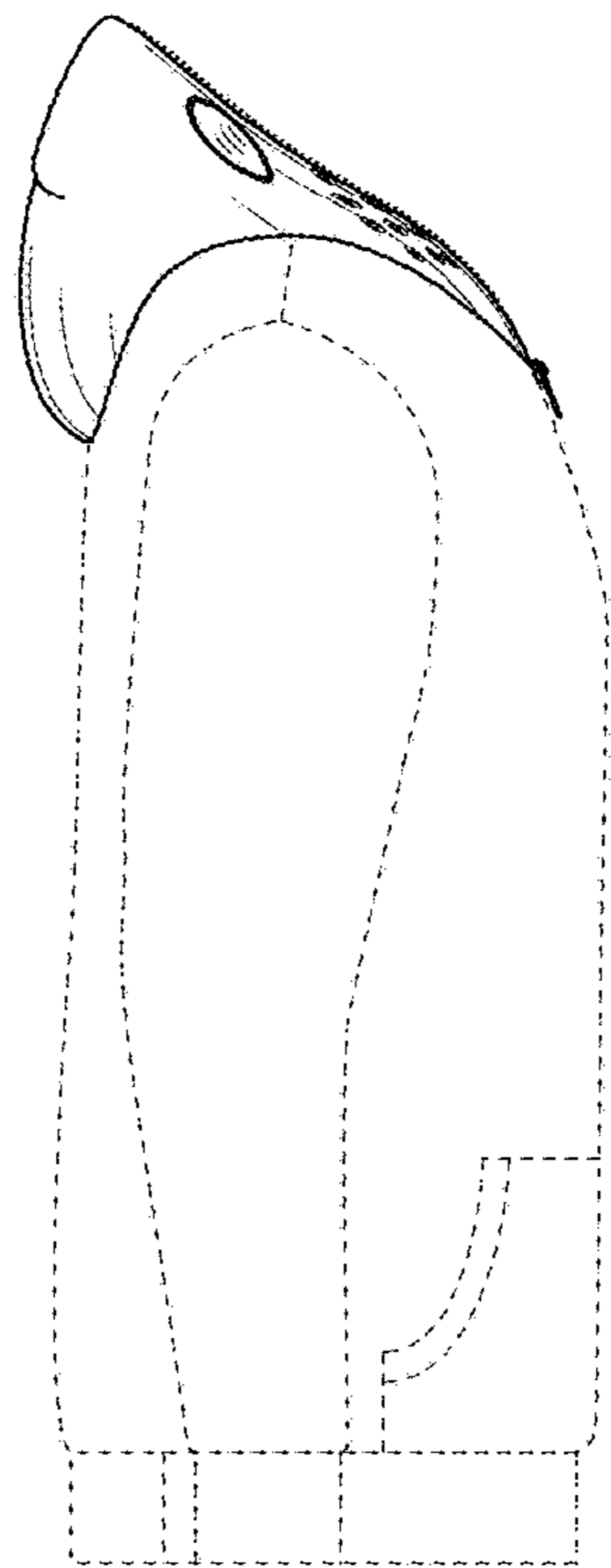


FIG. 11

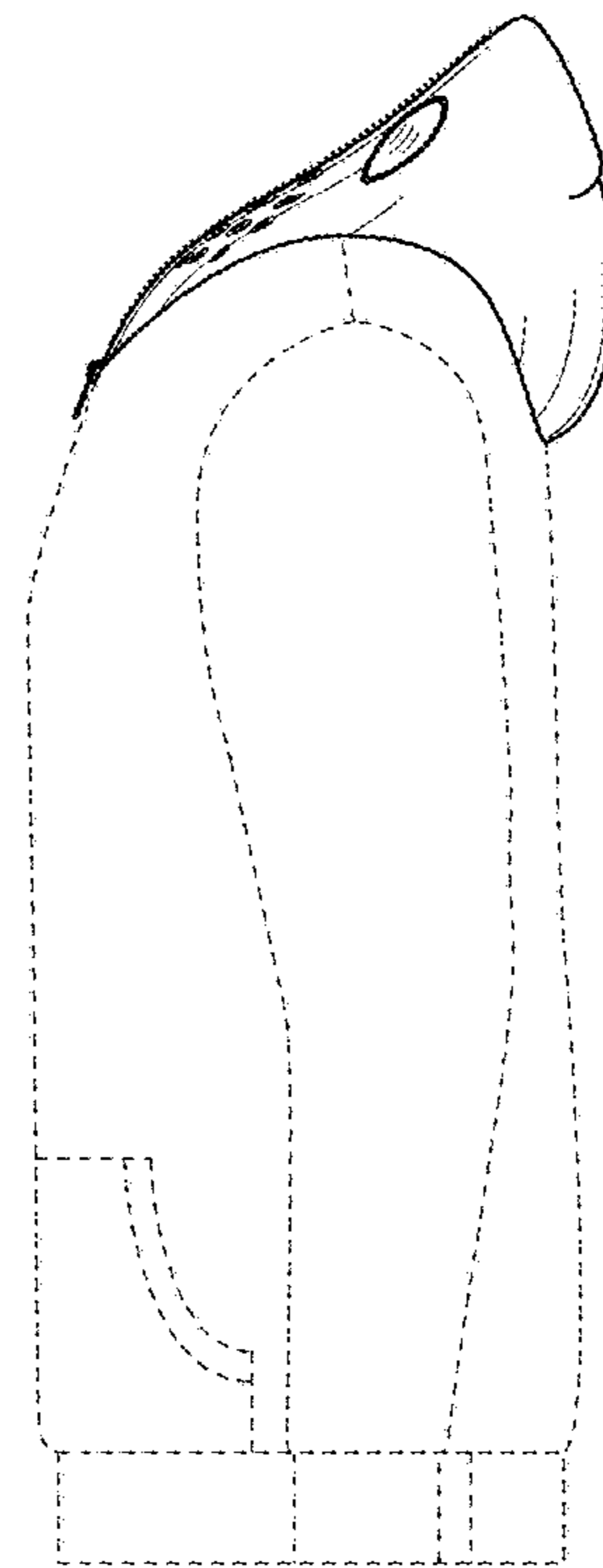


FIG. 12

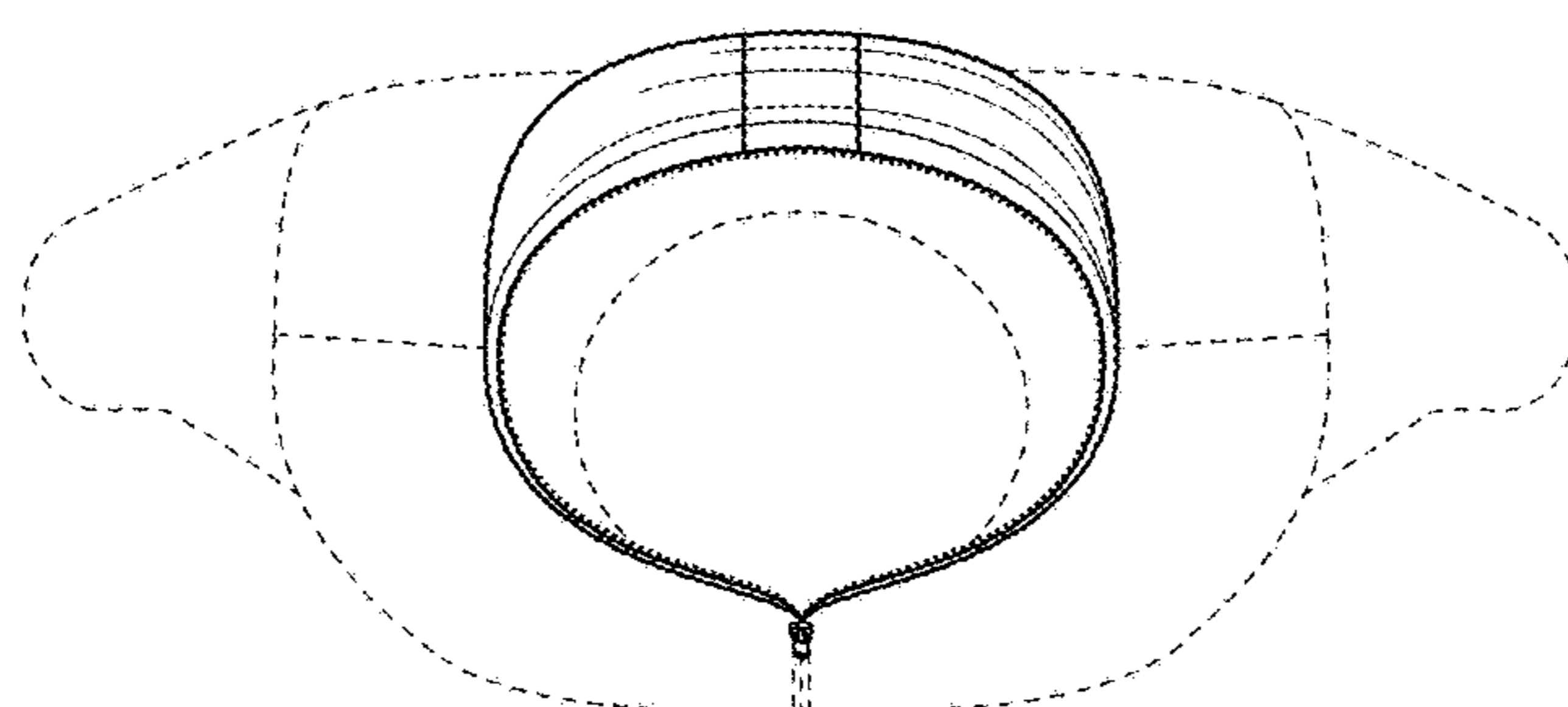


FIG. 13

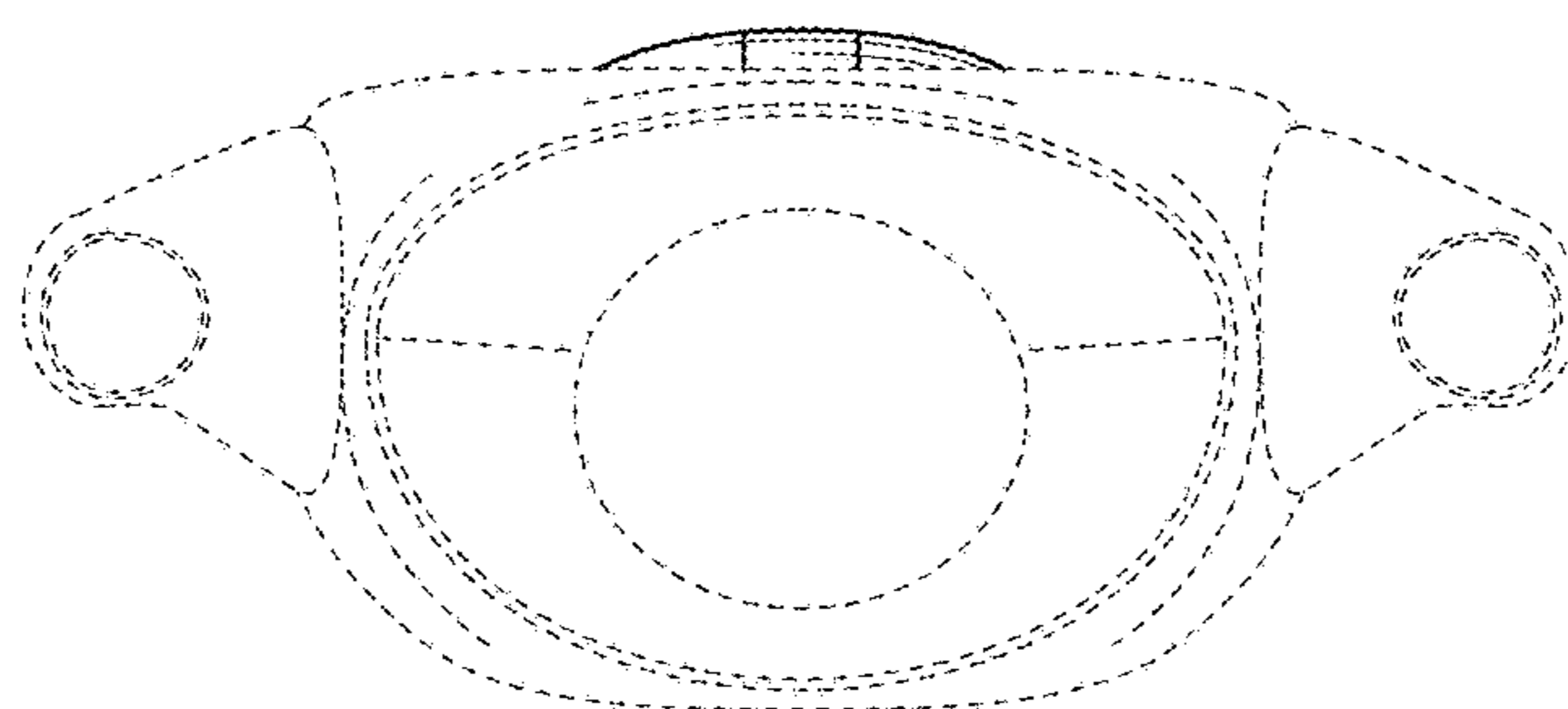


FIG. 14