



US00D849322S

(12) **United States Design Patent** (10) **Patent No.:** **US D849,322 S**  
**Grienay et al.** (45) **Date of Patent:** **\*\* May 21, 2019**

(54) **HAIR STRAIGHTENING APPARATUS**

(71) Applicant: **CALOR**, Ecully (FR)

(72) Inventors: **Arnaud Grienay**, Ecully (FR); **Manon Malatray**, Ecully (FR)

(73) Assignee: **CALOR**, Ecully (FR)

(\*\*) Term: **15 Years**

(21) Appl. No.: **29/590,203**

(22) Filed: **Jan. 9, 2017**

(30) **Foreign Application Priority Data**

Jul. 7, 2016 (EM) ..... 003298520-0001

(51) **LOC (11) Cl.** ..... **28-03**

(52) **U.S. Cl.**  
USPC ..... **D28/35**

(58) **Field of Classification Search**  
USPC ..... D28/10, 35, 36, 37, 38; 132/211, 223, 132/226-229, 237, 245, 254-255, 269, 132/126, 137-140, 213.1; 219/222; 34/96-97  
CPC ... A45D 1/00; A45D 1/02; A45D 1/04; A45D 2001/002; A45D 2001/004; A45D 2001/008; A45D 1/28; A45D 7/02; A45D 1/06; A45D 2/002; A45D 1/18; A45D 2/42; A45D 2/44; A45D 24/02; A45D 20/52; A46B 15/0002; A46B 2200/104  
See application file for complete search history.

(56) **References Cited**

**U.S. PATENT DOCUMENTS**

3,946,196 A 3/1976 Waters et al.  
4,499,355 A 2/1985 Walter  
4,739,151 A \* 4/1988 Smal ..... A45D 1/04 219/225  
4,803,341 A 2/1989 Barowski et al.

5,309,930 A 5/1994 Presser  
D357,766 S 4/1995 Prince et al.  
D362,922 S 10/1995 Prince et al.  
D363,140 S 10/1995 Accumanno et al.  
5,715,360 A 2/1998 Montagnino  
5,749,379 A 5/1998 Stillwagon et al.  
5,798,500 A 8/1998 Stillwagon, Jr. et al.  
5,896,864 A 4/1999 Boyle et al.  
D440,710 S \* 4/2001 Kaizuka ..... D28/35  
D480,176 S \* 9/2003 Ouellette ..... D28/35

(Continued)

**FOREIGN PATENT DOCUMENTS**

EM 000112784-0001 12/2003  
EM 000686928-0003 3/2007

(Continued)

*Primary Examiner* — Shannon W Morgan  
*Assistant Examiner* — Altaira J Swangin  
(74) *Attorney, Agent, or Firm* — Loeb & Loeb LLP

(57) **CLAIM**

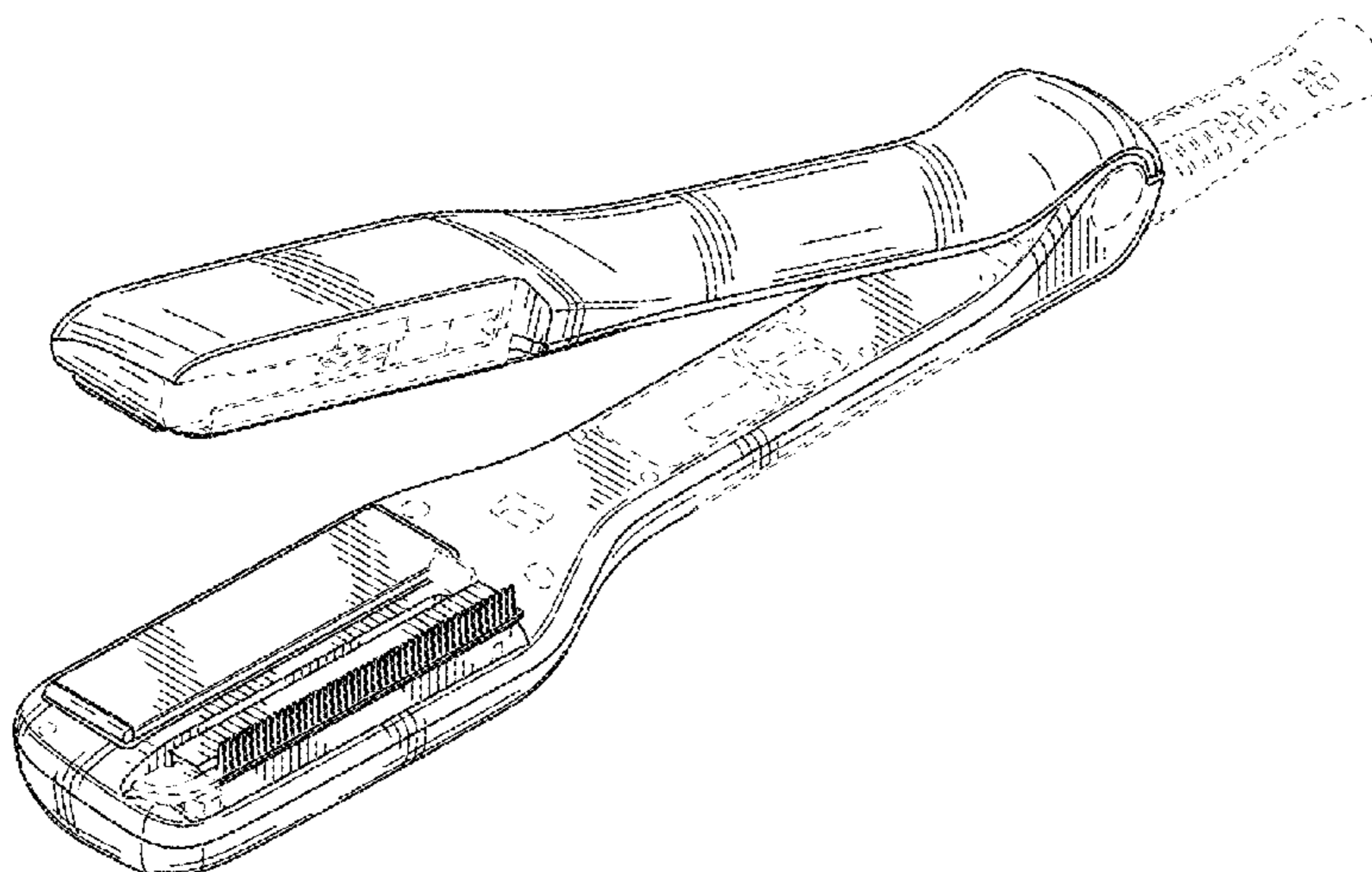
The ornamental design for a hair straightening apparatus, as shown and described.

**DESCRIPTION**

FIG. 1 is an isometric view of a hair straightening apparatus showing our new design;  
FIG. 2 is a front elevational view thereof;  
FIG. 3 is a rear elevational view thereof;  
FIG. 4 is a right side elevational view thereof;  
FIG. 5 is a left side elevational view thereof;  
FIG. 6 is a top view thereof; and,  
FIG. 7 is a bottom view thereof.

The even dash broken lines, shown in the figure drawings, depict portions of the hair straightening apparatus which form no part of the claimed design. The dash-dot lines in FIGS. 1, 4 and 6 are for the purpose of illustrating bounds of the claimed design and form no part thereof.

**1 Claim, 6 Drawing Sheets**



(56)

References Cited

U.S. PATENT DOCUMENTS

6,622,735 B2 \* 9/2003 Hirata ..... A45D 1/00  
132/212

D481,673 S 11/2003 Hsu

D489,483 S \* 5/2004 Cho ..... D28/35

D489,843 S 5/2004 Malone

D493,916 S \* 8/2004 Ceva ..... D28/35

D514,252 S \* 1/2006 Shin ..... D28/35

D526,087 S \* 8/2006 Seizer ..... D28/35

D536,483 S 2/2007 Lun et al.

7,171,704 B2 2/2007 Johnson

D537,983 S \* 3/2007 Shin ..... D28/35

D559,448 S \* 1/2008 Leung ..... D28/35

D561,936 S \* 2/2008 Leung ..... D28/35

D569,549 S \* 5/2008 Leung ..... D28/35

D569,550 S \* 5/2008 Leung ..... D28/35

D606,251 S 12/2009 Leung

D606,255 S 12/2009 Leung

D606,258 S \* 12/2009 Leung ..... D28/35

D618,395 S 6/2010 Mau

D619,760 S 7/2010 Cheung

D621,094 S 8/2010 Kaizuka

D627,925 S 11/2010 Nenadich

D627,926 S 11/2010 Nenadich

D632,429 S 2/2011 Kim

D643,974 S 8/2011 Renault

D645,614 S 9/2011 Kim

D646,022 S 9/2011 Schmitz

D649,288 S 11/2011 Koehler

D650,525 S 12/2011 Cafaro et al.

D654,621 S 2/2012 Grienay

8,110,778 B2 \* 2/2012 Wong ..... A45D 1/12  
132/225

D665,947 S 8/2012 Bachmann et al.

D667,995 S 9/2012 Grienay

D671,681 S 11/2012 Grienay

D671,682 S 11/2012 Grienay

D672,087 S 12/2012 Julemont

D672,088 S 12/2012 Julemont

D672,089 S 12/2012 Julemont

D680,689 S 4/2013 Grienay

D682,468 S 5/2013 Kim

D716,497 S 10/2014 Renault

9,713,369 B2 \* 7/2017 Washington ..... A45D 7/06

9,781,988 B2 \* 10/2017 Washington ..... A45D 7/06

9,808,061 B2 \* 11/2017 Ford ..... A45D 1/04

9,901,155 B2 \* 2/2018 Nuzzo ..... A45D 2/002

D816,899 S \* 5/2018 Duan ..... D28/35

D836,837 S \* 12/2018 Yan ..... D28/35

2002/0190047 A1 \* 12/2002 Nam ..... A45D 1/04  
219/222

2004/0163661 A1 \* 8/2004 Carlucci ..... A45D 1/04  
132/222

2005/0056631 A1 \* 3/2005 Cha ..... A45D 1/04  
219/222

2005/0076930 A1 \* 4/2005 Yuen ..... A45D 2/002  
132/132

2005/0076932 A1 \* 4/2005 Cho ..... A45D 1/04  
132/224

2006/0108344 A1 \* 5/2006 Kim ..... A45D 1/04  
219/225

2006/0272669 A1 \* 12/2006 Imai ..... A45D 1/02  
132/245

2008/0041409 A1 \* 2/2008 Leung ..... A45D 1/04  
132/224

2008/0257372 A1 \* 10/2008 Mills ..... A45D 1/04  
132/224

2009/0159093 A1 6/2009 Yu

2009/0260650 A1 \* 10/2009 Jung ..... A45D 1/04  
132/224

2009/0301509 A1 \* 12/2009 Leung ..... A45D 1/06  
132/269

2010/0242985 A1 \* 9/2010 Kaizuka ..... A45D 1/04  
132/224

2010/0288298 A1 11/2010 Serresvives et al.

2011/0220141 A1 \* 9/2011 Chan ..... A45D 1/04  
132/229

2012/0111355 A1 \* 5/2012 Vacheron ..... A45D 1/04  
132/228

2012/0111356 A1 5/2012 Vacheron et al.

2012/0227758 A1 \* 9/2012 Ford ..... A45D 1/04  
132/211

2014/0166038 A1 \* 6/2014 Leung ..... A45D 1/04  
132/221

2014/0202487 A1 \* 7/2014 Fereyre ..... A45D 2/00  
132/224

2015/0173480 A1 \* 6/2015 Washington ..... A45D 2/001  
132/206

2015/0289620 A1 \* 10/2015 Nuzzo ..... A45D 2/002  
132/211

2015/0313339 A1 \* 11/2015 Moore ..... A45D 1/04  
132/224

2015/0335120 A1 \* 11/2015 Moore ..... A45D 1/04  
132/211

2017/0006988 A1 \* 1/2017 Wong ..... A45D 1/04

2017/0079400 A1 \* 3/2017 Fereyre ..... A45D 1/00

2017/0112254 A1 \* 4/2017 Fereyre ..... A45D 19/16

2017/0135457 A1 \* 5/2017 Ngo ..... A45D 1/04

2017/0181516 A1 \* 6/2017 Washington ..... A45D 7/06

2017/0340082 A1 \* 11/2017 Bonnemaire ..... A45D 1/04

2017/0340083 A1 \* 11/2017 Ngo ..... A45D 1/06

2017/0340084 A1 \* 11/2017 Fereyre ..... A45D 2/002

2018/0352931 A1 \* 12/2018 Durif ..... A45D 1/04

2018/0360184 A1 \* 12/2018 Fereyre ..... A45D 1/04

FOREIGN PATENT DOCUMENTS

EM 0009035470001 3/2008

EM 0009979940001 9/2008

EM 001054423-0001 12/2008

EM 001054423-0002 12/2008

EM 0011006140001 3/2009

EM 001135875-0014 5/2009

EM 001135875-0015 5/2009

EM 001135875-0017 5/2009

EM 001135875-0018 5/2009

EM 0011358750012 5/2009

EM 001150510-0001 7/2009

EM 001150510-0002 7/2009

EM 001168165-0001 9/2009

EM 001190623-0001 1/2010

EM 001681750-0001 3/2010

EM 001801549-0006 1/2011

EM 001258396-0001 4/2011

EM 001258396-0005 4/2011

WO DM072796 12/2009

\* cited by examiner

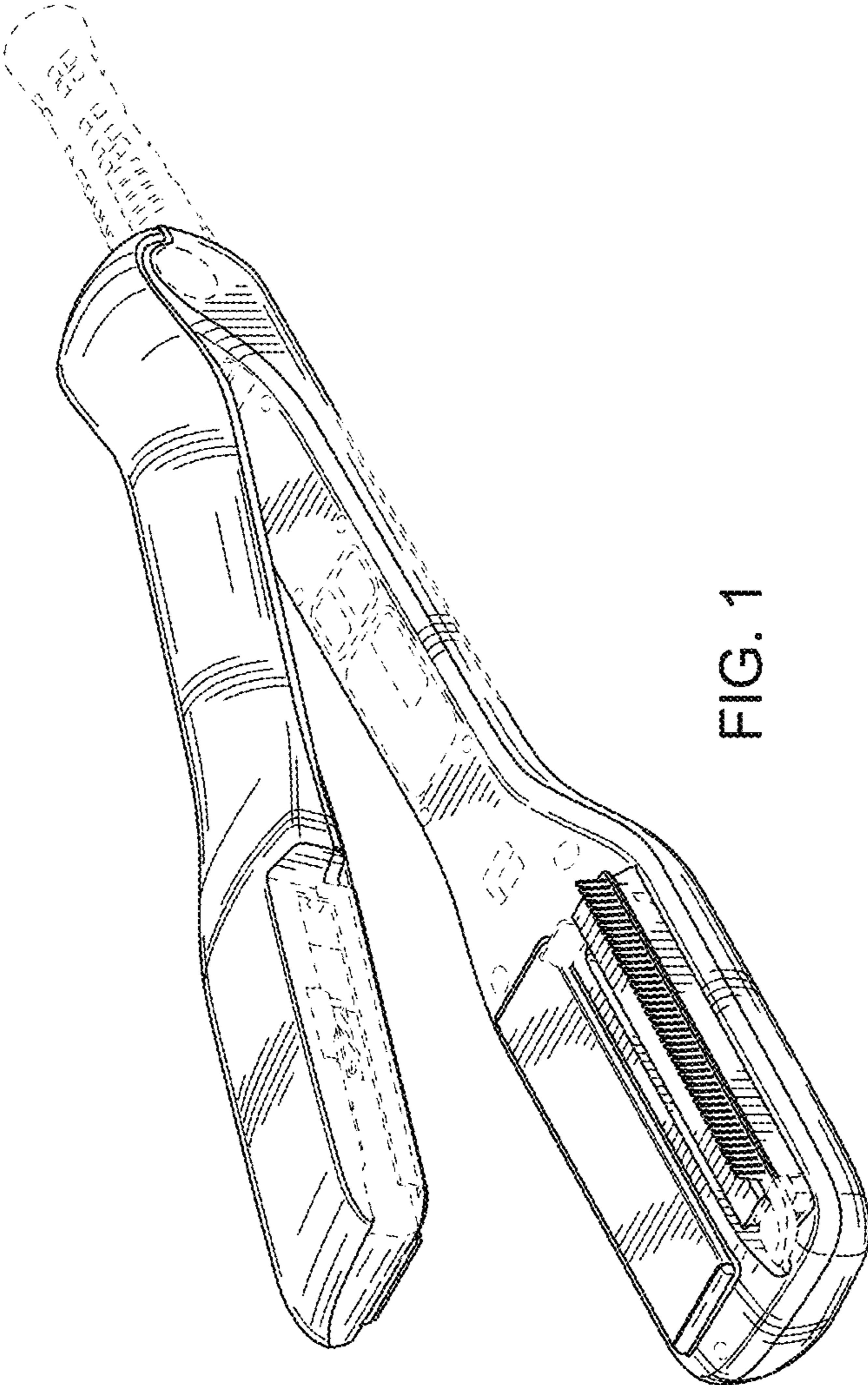


FIG. 1

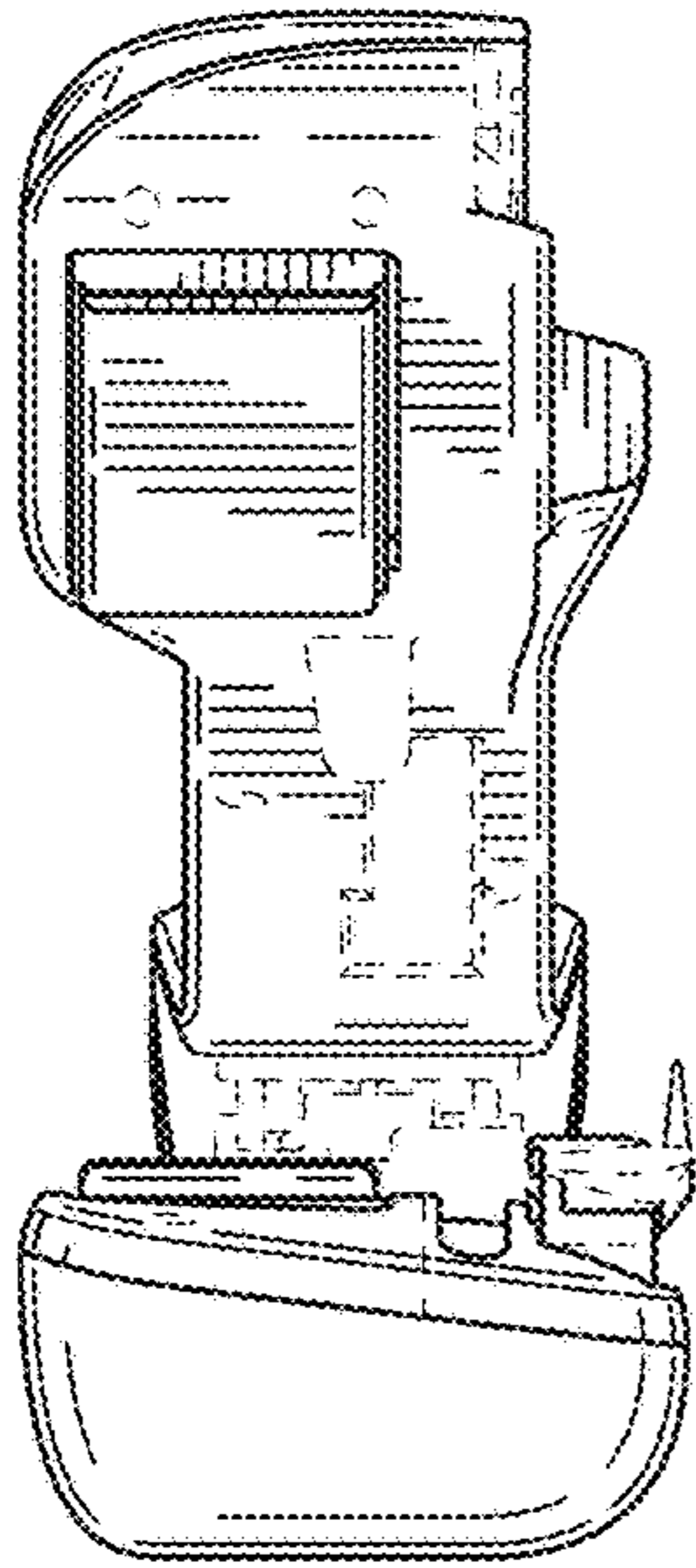


FIG. 2

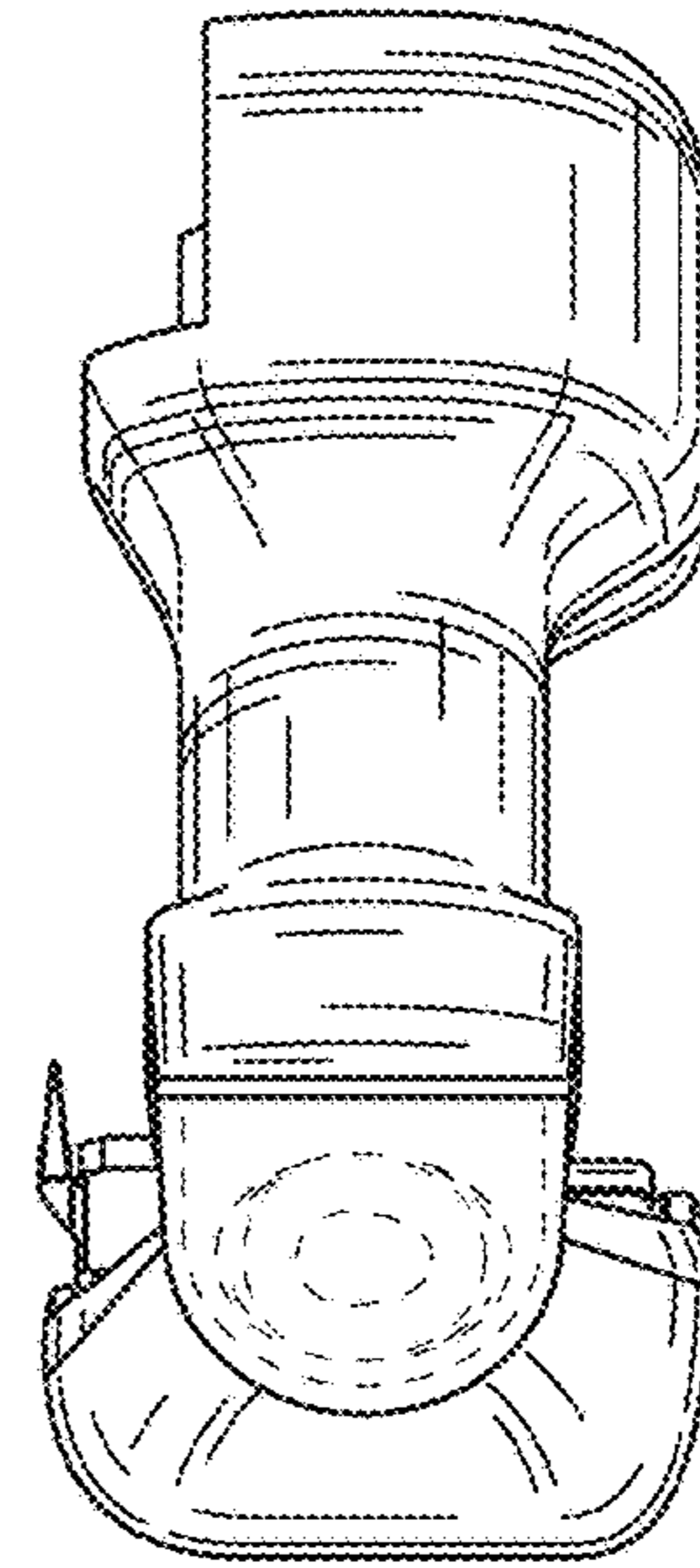


FIG. 3

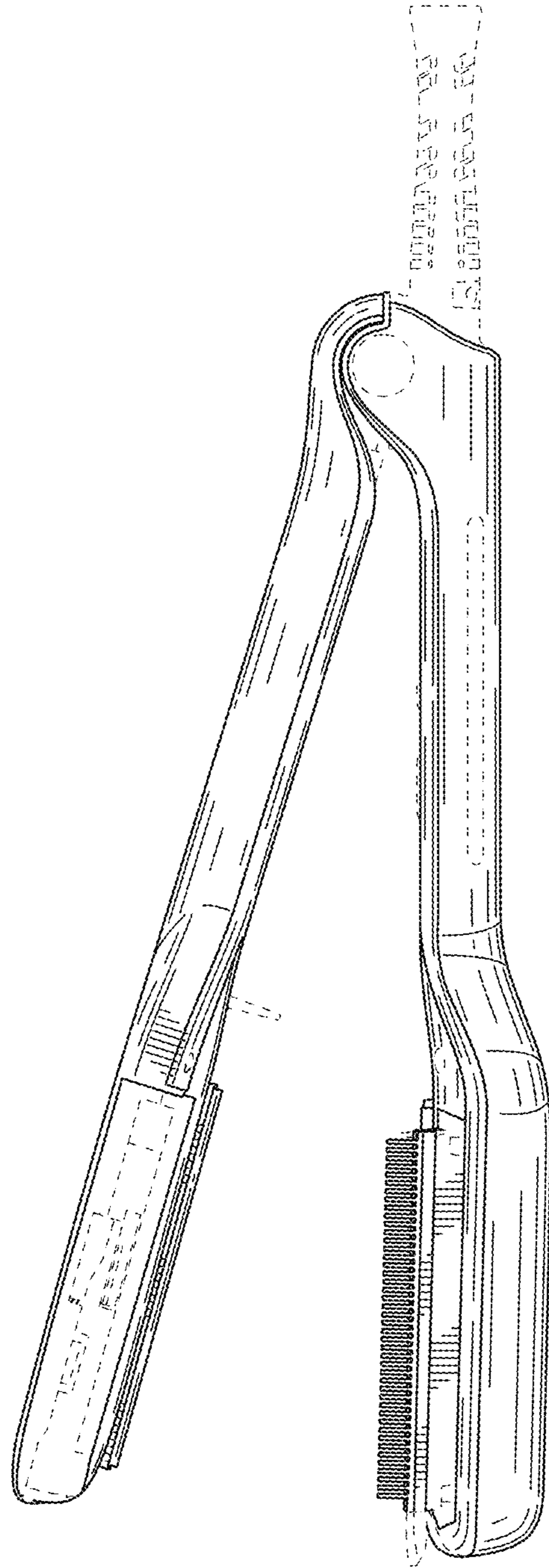


FIG. 4

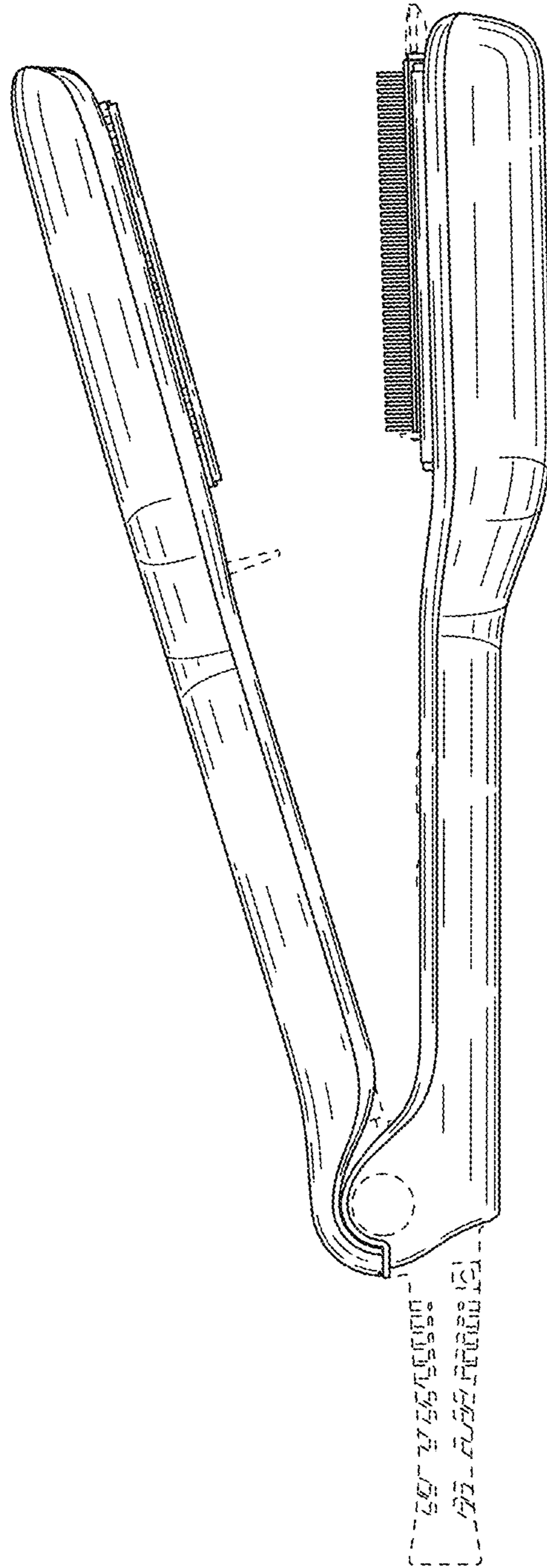


FIG. 5

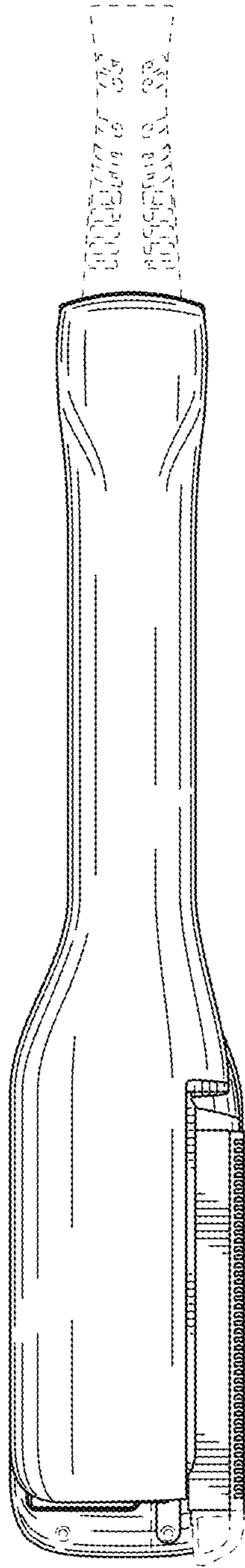


FIG. 6

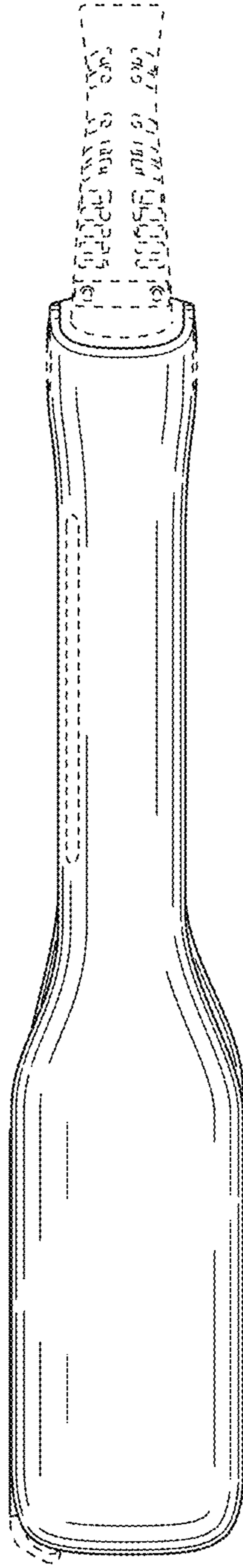


FIG. 7