



US00D849321S

(12) **United States Design Patent**  
**Grienay et al.**

(10) **Patent No.:** **US D849,321 S**  
(45) **Date of Patent:** **\*\* May 21, 2019**

(54) **COMBINED HAIR STRAIGHTENING APPARATUS AND WATER TANK**

FOREIGN PATENT DOCUMENTS

(71) Applicant: **CALOR**, Ecully (FR)

EM 000112784-0001 12/2003  
EM 000686928-0003 3/2007

(72) Inventors: **Arnaud Grienay**, Ecully (FR); **Manon Malatray**, Ecully (FR)

(Continued)

(73) Assignees: **L'OREAL**, Paris (FR); **CALOR**, Ecully (FR)

OTHER PUBLICATIONS

(\*\*) Term: **15 Years**

Steannpod 2.0 Straightener, L'Oreal, ysislorenna.com, posted by Ysis Lorena on Nov. 14, 2015 © 2011-2018 Ysis Lorena, online, visited Jun. 9, 2018. Available from Internet, URL: <http://www.ysislorenna.com/2015/11/loreal-steam-pod-2-straightener-before-after-review.html#Z1P5G1kP5ebKQGDZ.97> (Year: 2015).\*

(21) Appl. No.: **29/590,202**

(Continued)

(22) Filed: **Jan. 9, 2017**

(30) **Foreign Application Priority Data**

*Primary Examiner* — Shannon W Morgan

*Assistant Examiner* — Altaira J Swangin

Jul. 7, 2016 (EM) ..... 003298520-0007

(74) *Attorney, Agent, or Firm* — Loeb & Loeb LLP

(51) **LOC (11) Cl.** ..... **28-03**

(52) **U.S. Cl.**

USPC ..... **D28/35**

(58) **Field of Classification Search**

USPC ..... D28/10, 35, 36, 37, 38; 132/211, 223, 132/226-229, 237, 245, 254-255, 269, 132/126, 137-140, 213.1; 219/222; 34/96-97

CPC ... A45D 1/00; A45D 1/02; A45D 1/04; A45D 2001/002; A45D 2001/004; A45D 2001/008; A45D 1/28; A45D 7/02; A45D 1/06; A45D 2/002; A45D 1/18; A45D 2/42; A45D 2/44; A45D 24/02; A45D 20/52; A46B 15/0002; A46B 2200/104  
See application file for complete search history.

(57) **CLAIM**

The ornamental design for a combined hair straightening apparatus and water tank, as shown and described.

**DESCRIPTION**

FIG. 1 is an isometric view of a combined hair straightening apparatus and water tank showing our new design; FIG. 2 is a front elevational view thereof; FIG. 3 is a rear elevational view thereof; FIG. 4 is a right side elevational view thereof; FIG. 5 is a left side elevational view thereof; FIG. 6 is a top view thereof; and, FIG. 7 is a bottom view thereof.

The broken lines shown in the figure drawings depict portions of the combined hair straightening apparatus and water tank which form no part of the claimed design.

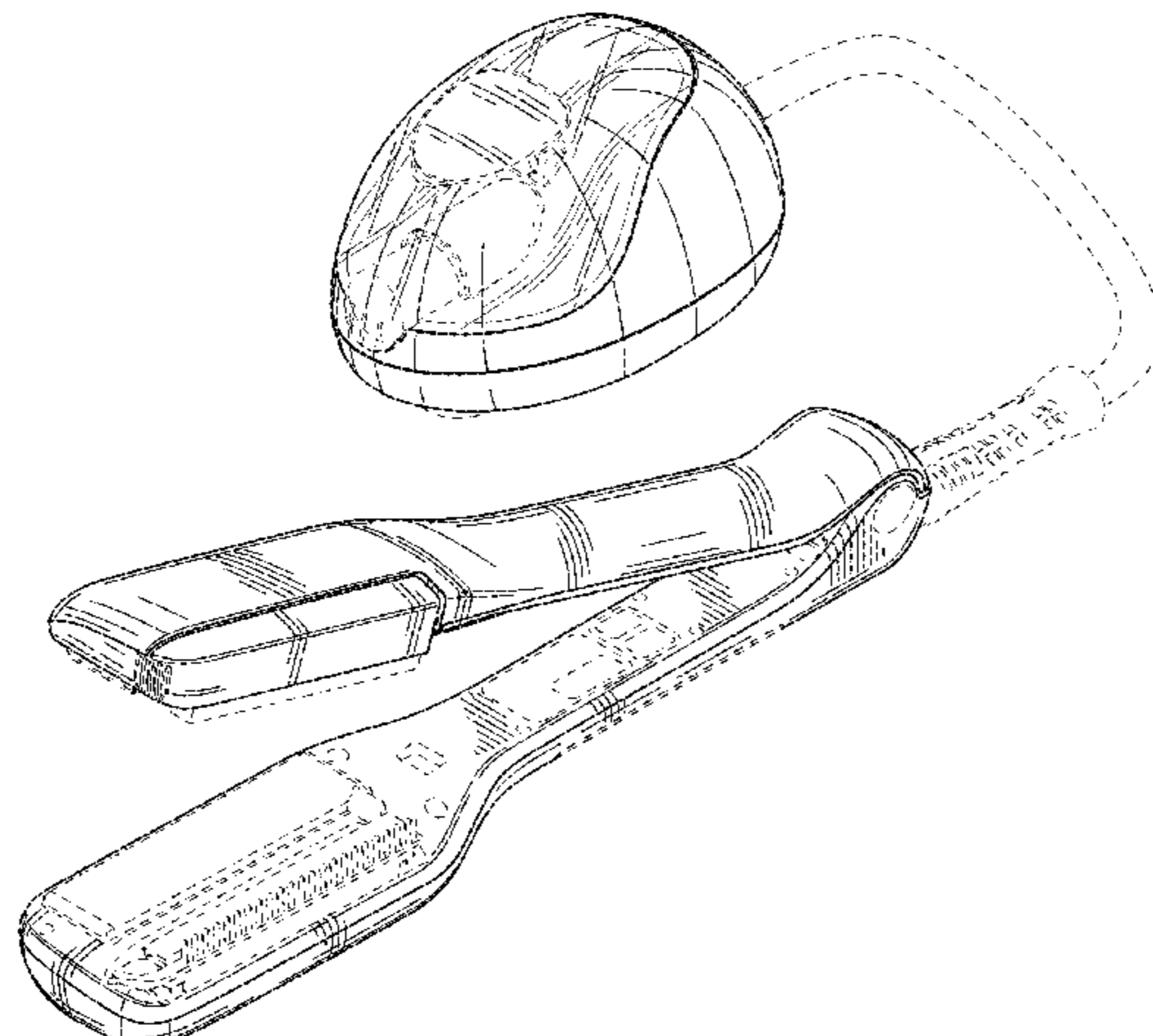
(56) **References Cited**

U.S. PATENT DOCUMENTS

3,946,196 A 3/1976 Waters et al.  
4,499,355 A 2/1985 Walter  
4,739,151 A \* 4/1988 Smal ..... A45D 1/04  
219/225  
4,803,341 A 2/1989 Barowski et al.

(Continued)

**1 Claim, 7 Drawing Sheets**



(56)

References Cited

U.S. PATENT DOCUMENTS

5,309,930 A 5/1994 Presser  
 D357,766 S 4/1995 Prince et al.  
 D362,922 S 10/1995 Prince et al.  
 D363,140 S 10/1995 Accumanno et al.  
 5,715,360 A 2/1998 Montagnino  
 5,749,379 A 5/1998 Stillwagon et al.  
 5,798,500 A 8/1998 Stillwagon, Jr. et al.  
 5,896,864 A 4/1999 Boyle et al.  
 D440,710 S \* 4/2001 Kaizuka ..... D28/35  
 D480,176 S \* 9/2003 Ouellette ..... D28/35  
 6,622,735 B2 \* 9/2003 Hirata ..... A45D 1/00  
 132/212  
 D481,673 S 11/2003 Hsu  
 D489,483 S \* 5/2004 Cho ..... D28/35  
 D489,843 S 5/2004 Malone  
 D493,916 S \* 8/2004 Ceva ..... D28/35  
 D506,851 S \* 6/2005 Schmitz ..... D28/35  
 D514,252 S \* 1/2006 Shin ..... D28/35  
 D526,087 S \* 8/2006 Seizer ..... D28/35  
 D536,483 S 2/2007 Lun et al.  
 7,171,704 B2 2/2007 Johnson  
 D537,983 S \* 3/2007 Shin ..... D28/35  
 D559,448 S \* 1/2008 Leung ..... D28/35  
 D561,936 S \* 2/2008 Leung ..... D28/35  
 D569,549 S \* 5/2008 Leung ..... D28/35  
 D569,550 S \* 5/2008 Leung ..... D28/35  
 D606,251 S 12/2009 Leung  
 D606,255 S 12/2009 Leung  
 D606,258 S \* 12/2009 Leung ..... D28/35  
 D618,395 S 6/2010 Mau  
 D619,760 S 7/2010 Cheung  
 D621,094 S 8/2010 Kaizuka  
 D627,925 S 11/2010 Nenadich  
 D627,926 S 11/2010 Nenadich  
 D632,429 S 2/2011 Kim  
 D643,974 S 8/2011 Renault  
 D645,614 S 9/2011 Kim  
 D646,022 S 9/2011 Schmitz  
 D649,288 S 11/2011 Koehler  
 D650,525 S 12/2011 Cafaro et al.  
 D654,621 S 2/2012 Grienay  
 8,110,778 B2 \* 2/2012 Wong ..... A45D 1/12  
 132/225  
 D665,947 S 8/2012 Bachmann et al.  
 D667,995 S 9/2012 Grienay  
 D671,681 S 11/2012 Grienay  
 D671,682 S 11/2012 Grienay  
 D672,087 S 12/2012 Julemont  
 D672,088 S 12/2012 Julemont  
 D672,089 S 12/2012 Julemont  
 D680,689 S 4/2013 Grienay  
 D682,468 S 5/2013 Kim  
 D716,497 S 10/2014 Renault  
 9,713,369 B2 \* 7/2017 Washington ..... A45D 7/06  
 9,781,988 B2 \* 10/2017 Washington ..... A45D 7/06  
 9,808,061 B2 \* 11/2017 Ford ..... A45D 1/04  
 9,901,155 B2 \* 2/2018 Nuzzo ..... A45D 2/002  
 D816,896 S \* 5/2018 Canamaque ..... D28/7  
 D816,899 S \* 5/2018 Duan ..... D28/35  
 D836,837 S \* 12/2018 Yan ..... D28/35  
 2002/0190047 A1 \* 12/2002 Nam ..... A45D 1/04  
 219/222  
 2004/0163661 A1 \* 8/2004 Carlucci ..... A45D 1/04  
 132/222  
 2005/0056631 A1 \* 3/2005 Cha ..... A45D 1/04  
 219/222  
 2005/0076930 A1 \* 4/2005 Yuen ..... A45D 2/002  
 132/132  
 2005/0076932 A1 \* 4/2005 Cho ..... A45D 1/04  
 132/224  
 2006/0108344 A1 \* 5/2006 Kim ..... A45D 1/04  
 219/225  
 2006/0272669 A1 \* 12/2006 Imai ..... A45D 1/02  
 132/245

2008/0041409 A1 \* 2/2008 Leung ..... A45D 1/04  
 132/224  
 2008/0257372 A1 \* 10/2008 Mills ..... A45D 1/04  
 132/224  
 2009/0159093 A1 6/2009 Yu  
 2009/0260650 A1 \* 10/2009 Jung ..... A45D 1/04  
 132/224  
 2009/0301509 A1 \* 12/2009 Leung ..... A45D 1/06  
 132/269  
 2010/0242985 A1 \* 9/2010 Kaizuka ..... A45D 1/04  
 132/224  
 2010/0288298 A1 11/2010 Serresvives et al.  
 2011/0220141 A1 \* 9/2011 Chan ..... A45D 1/04  
 132/229  
 2012/0111355 A1 \* 5/2012 Vacheron ..... A45D 1/04  
 132/228  
 2012/0111356 A1 5/2012 Vacheron et al.  
 2012/0227758 A1 \* 9/2012 Ford ..... A45D 1/04  
 132/211  
 2014/0166038 A1 \* 6/2014 Leung ..... A45D 1/04  
 132/221  
 2014/0202487 A1 \* 7/2014 Fereyre ..... A45D 2/00  
 132/224  
 2015/0173480 A1 \* 6/2015 Washington ..... A45D 2/001  
 132/206  
 2015/0289620 A1 \* 10/2015 Nuzzo ..... A45D 2/002  
 132/211  
 2015/0313339 A1 \* 11/2015 Moore ..... A45D 1/04  
 132/224  
 2015/0335120 A1 \* 11/2015 Moore ..... A45D 1/04  
 132/211  
 2017/0006988 A1 \* 1/2017 Wong ..... A45D 1/04  
 2017/0079400 A1 \* 3/2017 Fereyre ..... A45D 1/00  
 2017/0112254 A1 \* 4/2017 Fereyre ..... A45D 19/16  
 2017/0135457 A1 \* 5/2017 Ngo ..... A45D 1/04  
 2017/0181516 A1 \* 6/2017 Washington ..... A45D 7/06  
 2017/0340082 A1 \* 11/2017 Bonnemaire ..... A45D 1/04  
 2017/0340083 A1 \* 11/2017 Ngo ..... A45D 1/06  
 2017/0340084 A1 \* 11/2017 Fereyre ..... A45D 2/002  
 2018/0352931 A1 \* 12/2018 Durif ..... A45D 1/04  
 2018/0360184 A1 \* 12/2018 Fereyre ..... A45D 1/04

FOREIGN PATENT DOCUMENTS

EM 0009035470001 3/2008  
 EM 0009979940001 9/2008  
 EM 001054423-0001 12/2008  
 EM 001054423-0002 12/2008  
 EM 0011006140001 3/2009  
 EM 001135875-0014 5/2009  
 EM 001135875-0015 5/2009  
 EM 001135875-0017 5/2009  
 EM 001135875-0018 5/2009  
 EM 0011358750012 5/2009  
 EM 001150510-0001 7/2009  
 EM 001150510-0002 7/2009  
 EM 001168165-0001 9/2009  
 EM 001190623-0001 1/2010  
 EM 001681750-0001 3/2010  
 EM 001801549-0006 1/2011  
 EM 001258396-0001 4/2011  
 EM 001258396-0005 4/2011  
 WO DM072796 12/2009

OTHER PUBLICATIONS

Steampod, L'Oreal, mixed-hair.blogspot.com.com, posted by Chantelle Emily on Jan. 7, 2014 © 2018 Mixed Beauty, online, visited Jun. 14, 2018. Available from Internet, URL: <http://mixed-hair.blogspot.com/2014/01/my-new-love-steampod.html> (Year: 2014).\*

Steampod, L'Oreal, abbzzw.com.com, posted by Abby W. on Feb. 23, 2015 © abbzzw, online, visited Jun. 9, 2018. Available from

(56)

**References Cited**

OTHER PUBLICATIONS

Internet, URL: <http://www.abbzzw.com/search?q=steamrod> (Year: 2015).\*

\* cited by examiner

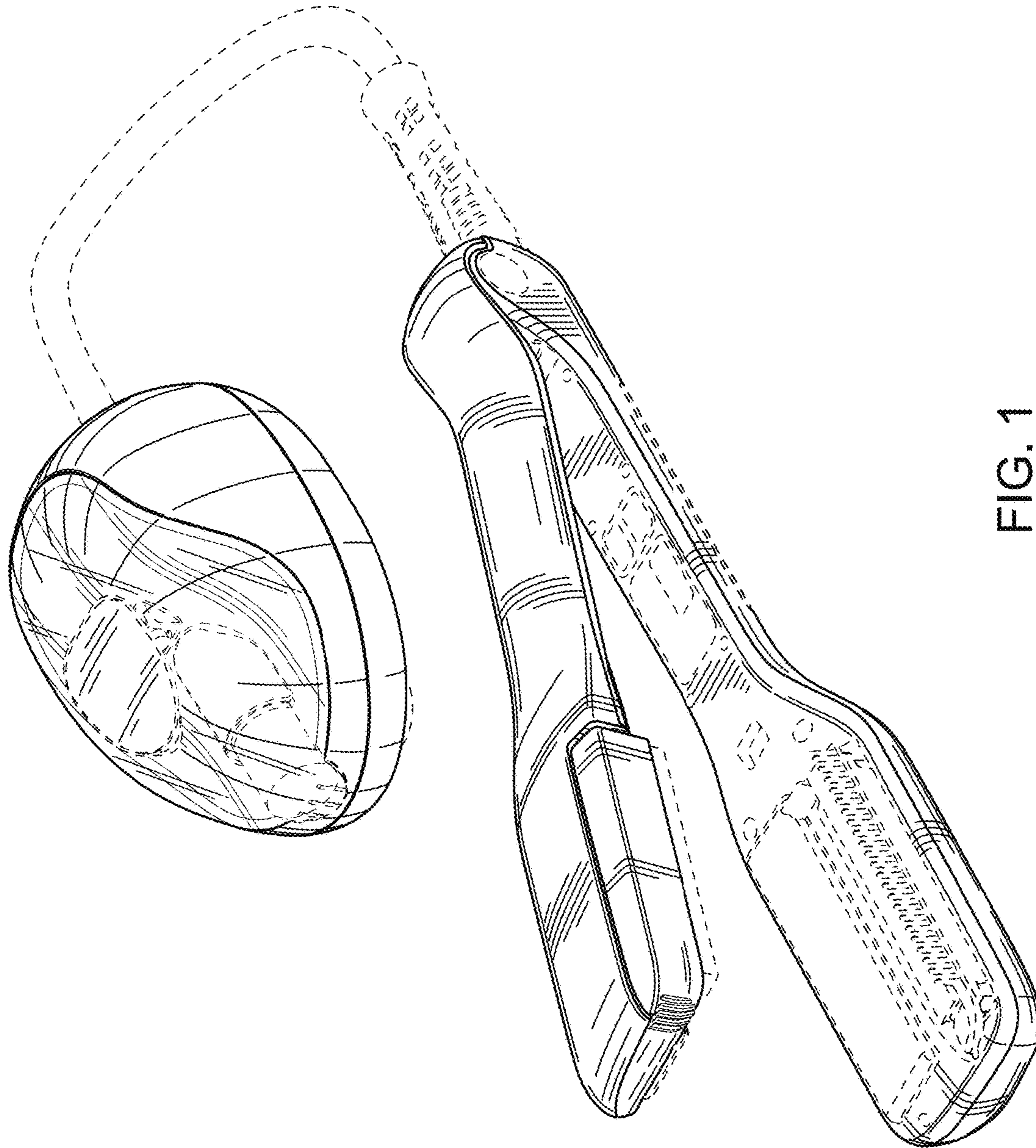


FIG. 1

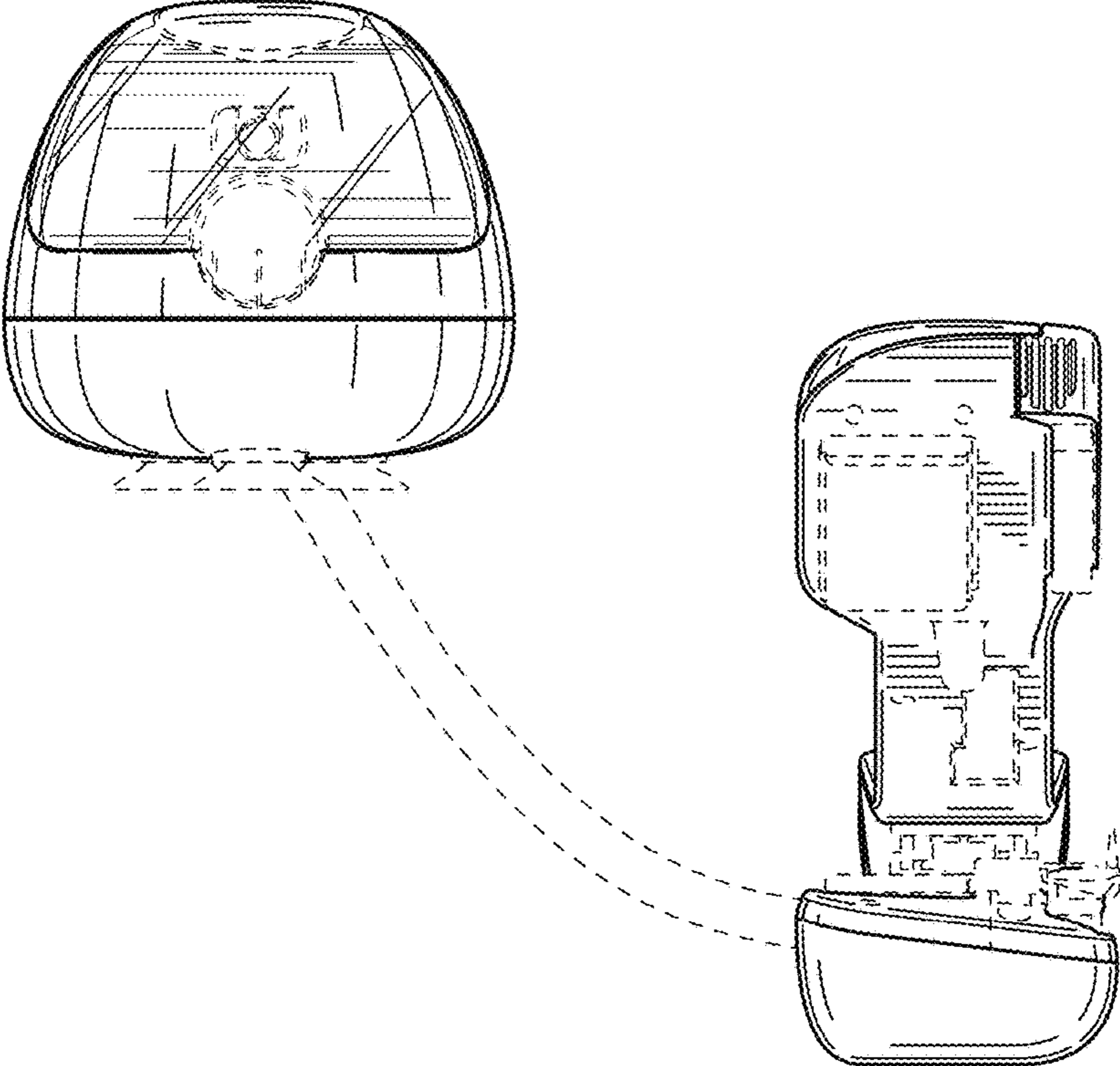


FIG. 2

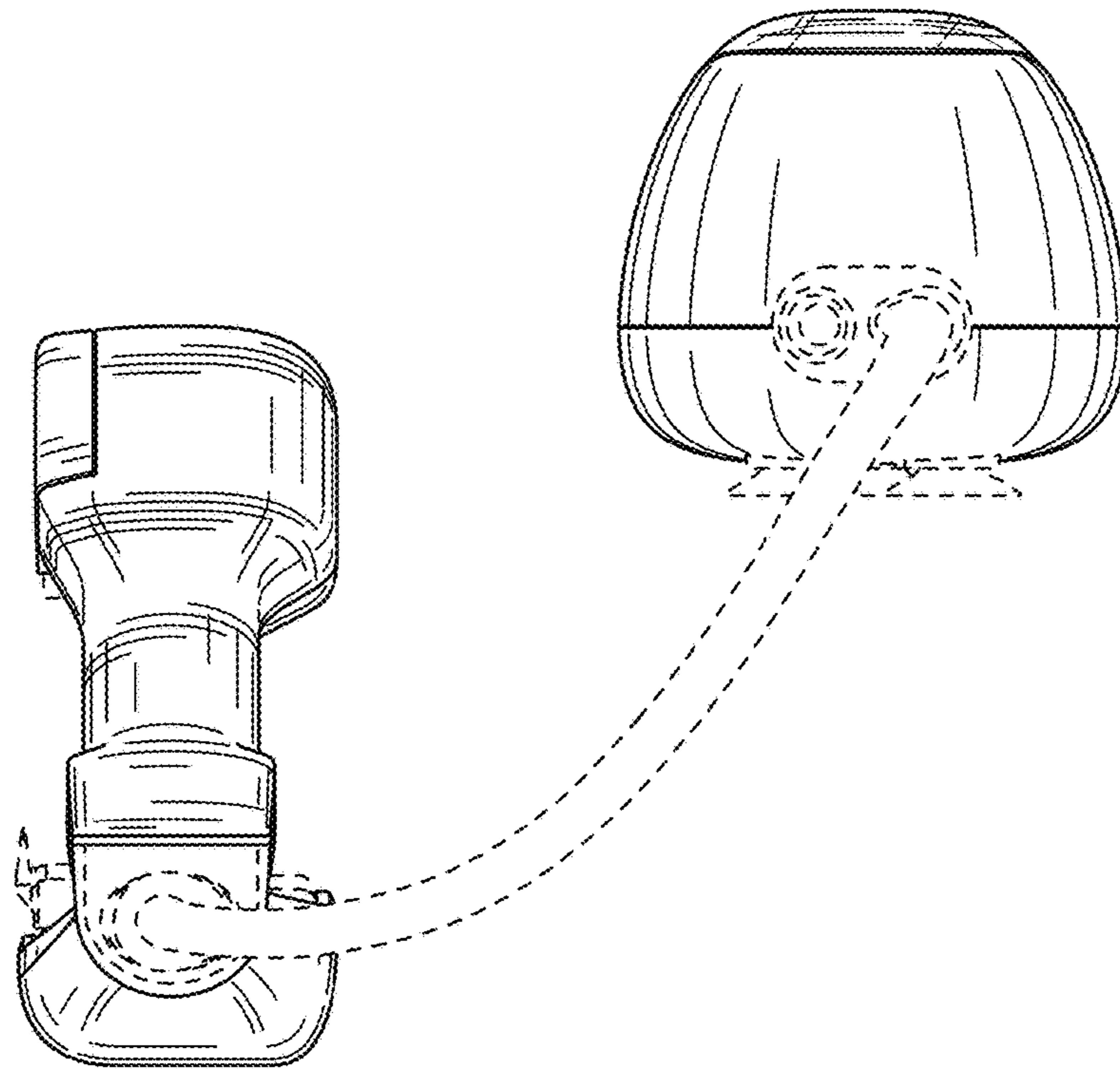


FIG. 3

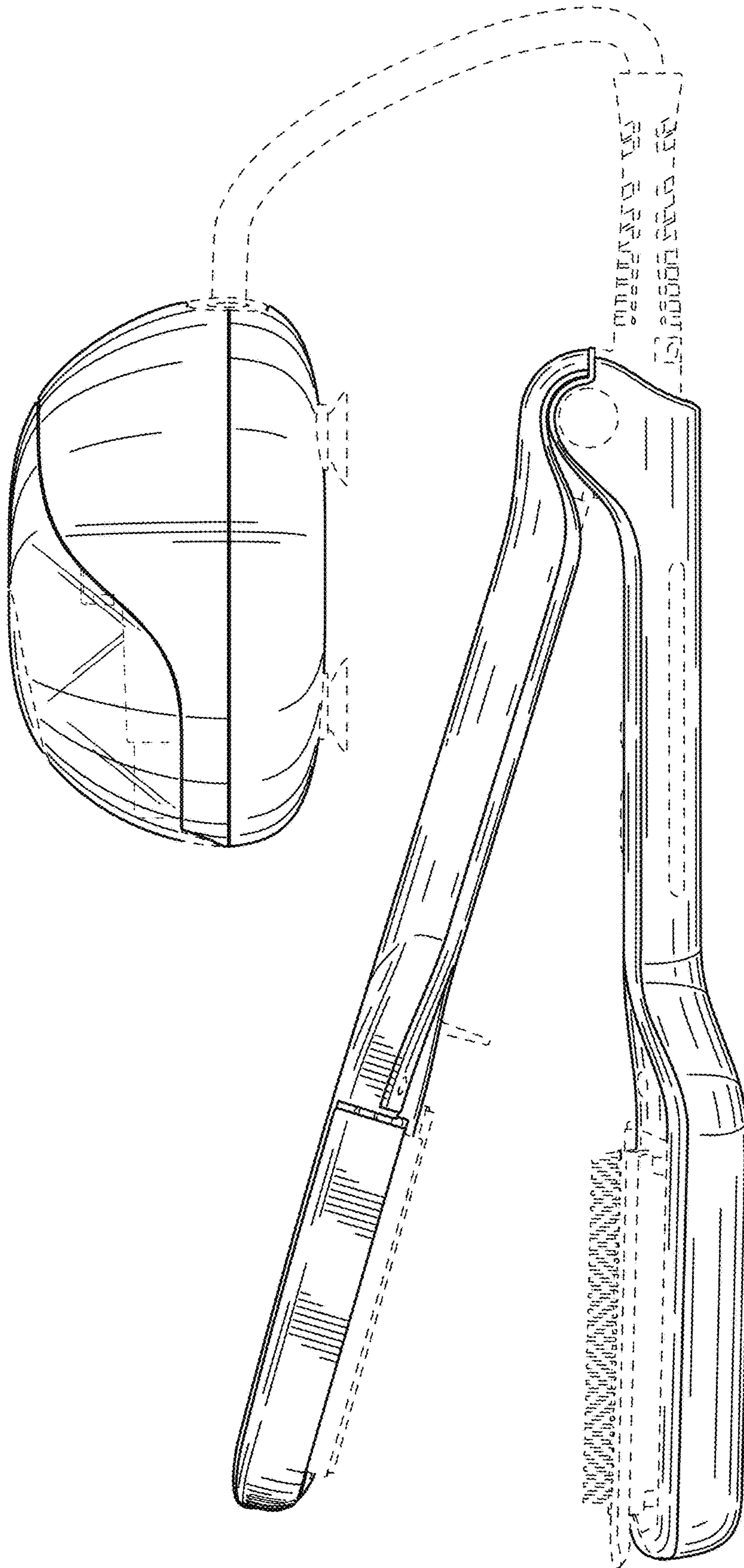


FIG. 4

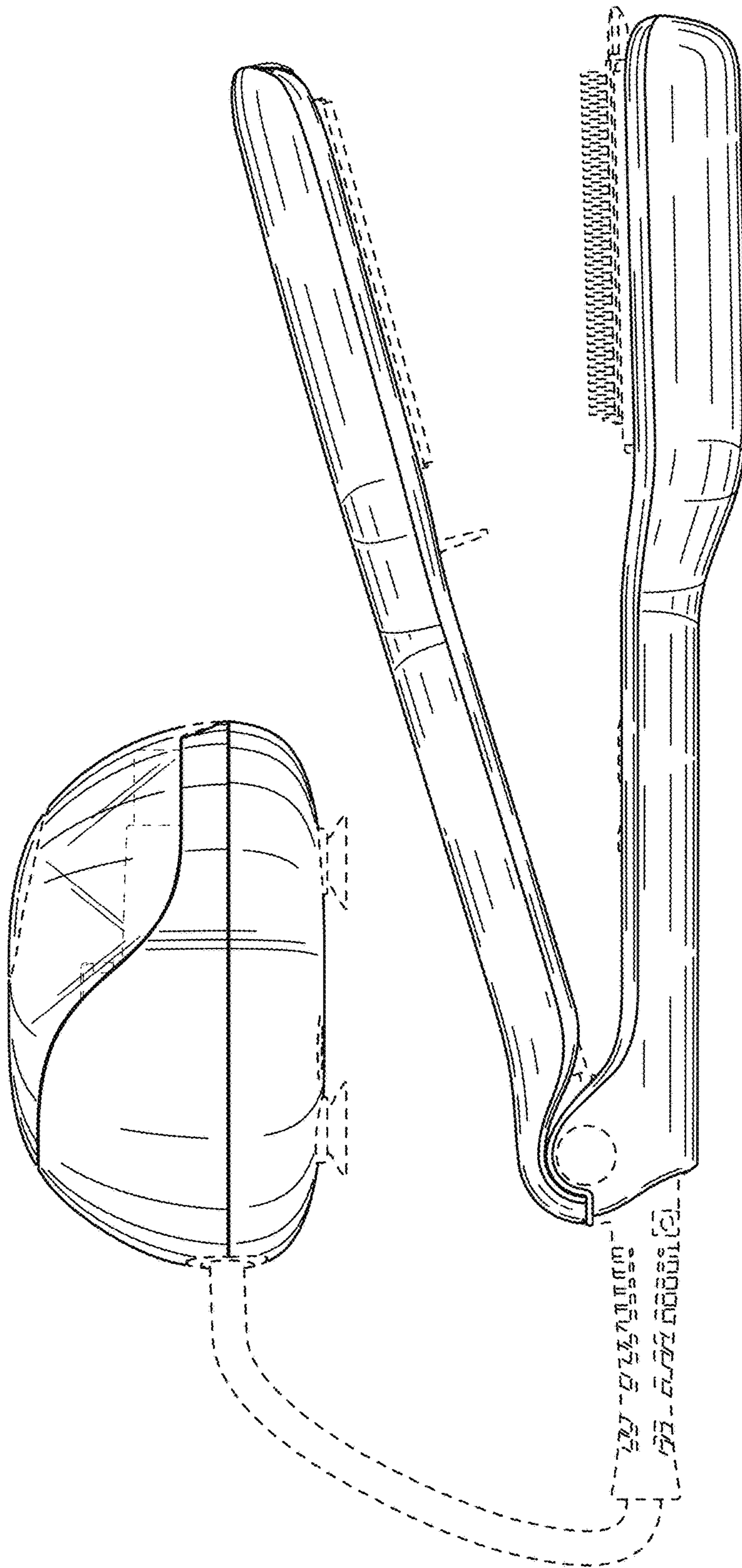


FIG. 5



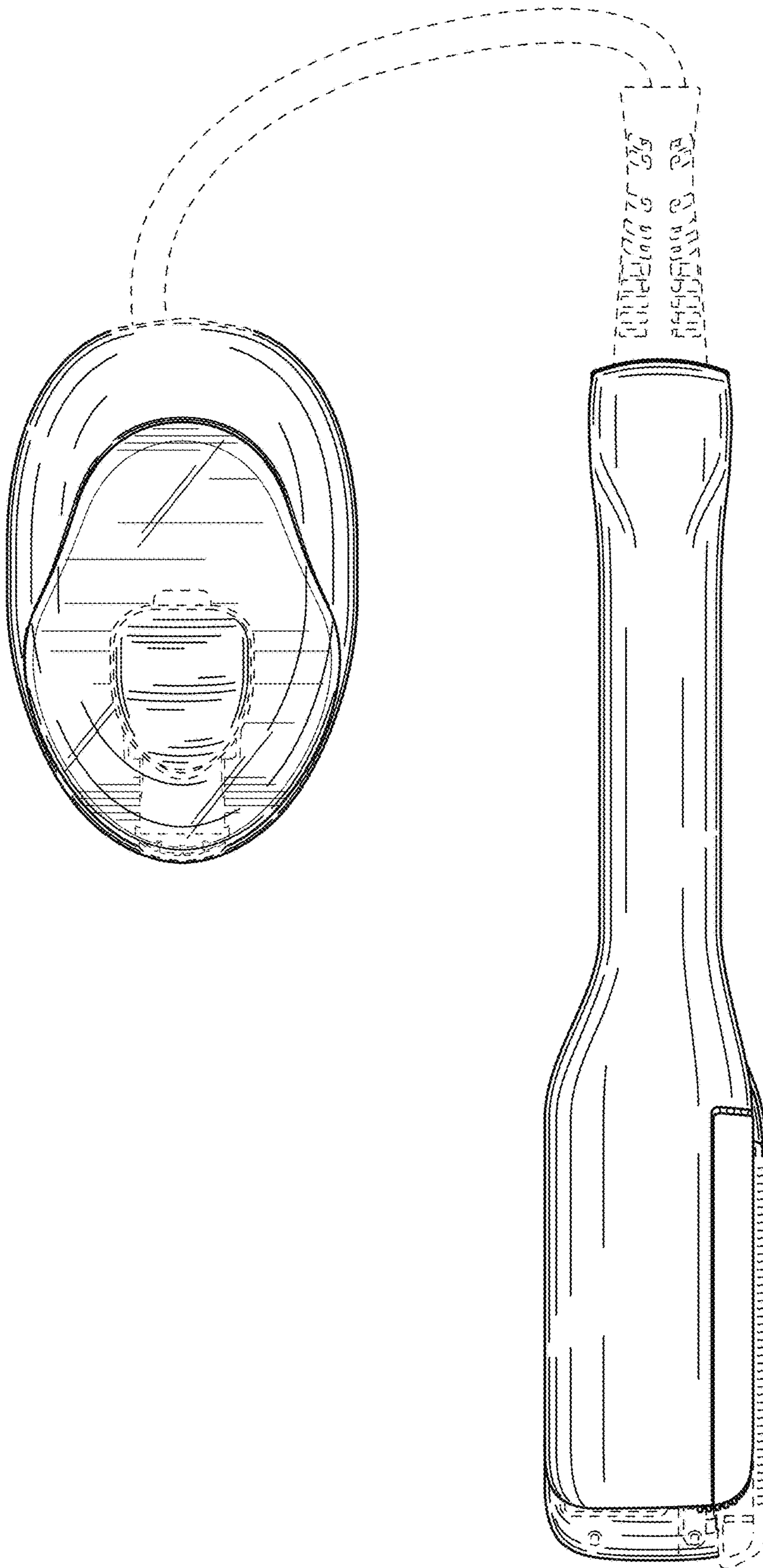


FIG. 6

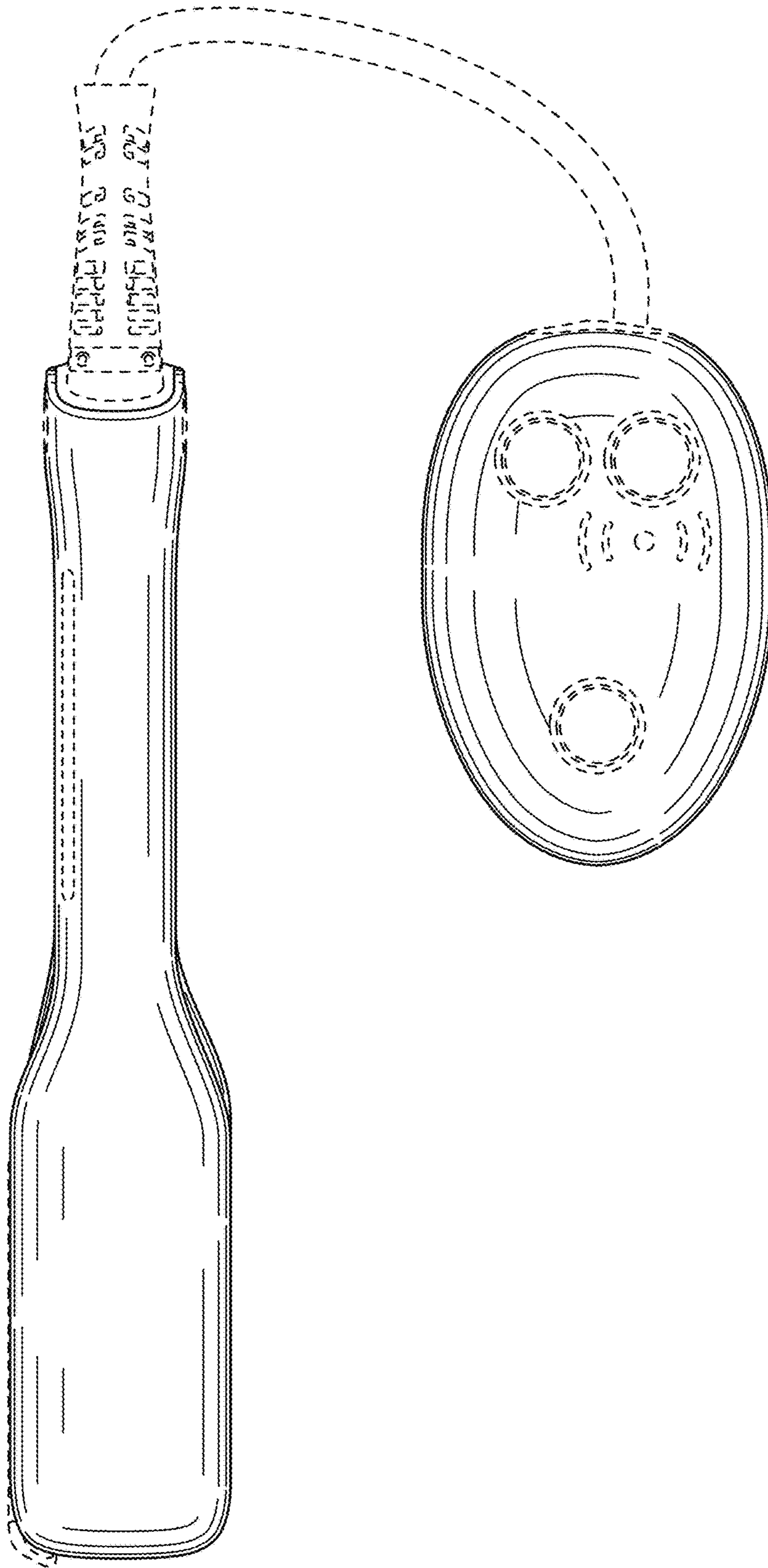


FIG. 7