



US00D849319S

(12) **United States Design Patent** (10) **Patent No.:** **US D849,319 S**  
**Chieh** (45) **Date of Patent:** **\*\* May 21, 2019**

(54) **COSMETIC SPONGE**  
(71) Applicant: **Taikone Technologies Inc.**, Dongguan (CN)  
(72) Inventor: **Lung Yun Chieh**, Guangdong (CN)  
(73) Assignee: **Taikone Technologies Inc.**, Dongguan (CN)

(\*\*) Term: **15 Years**

(21) Appl. No.: **29/642,027**

(22) Filed: **Mar. 27, 2018**

(51) **LOC (11) Cl.** ..... **28-02**

(52) **U.S. Cl.**  
USPC ..... **D28/7**

(58) **Field of Classification Search**  
USPC ..... D28/7, 8, 59, 76, 82, 83, 99; D4/137  
CPC ..... A45D 2200/10; A45D 2200/1018; A45D 2200/1009; A45D 2200/1036; A45D 2200/10; A45D 40/262

See application file for complete search history.

(56) **References Cited**

**U.S. PATENT DOCUMENTS**

D450,165 S \* 11/2001 Osiecki ..... D28/63  
D623,371 S \* 9/2010 Li ..... D32/40  
D639,856 S \* 6/2011 Ahman ..... D19/188  
D666,358 S \* 8/2012 Albers ..... D28/7

D685,545 S \* 7/2013 Ono ..... D32/40  
D707,390 S \* 6/2014 Bunkley ..... D28/7  
D724,285 S \* 3/2015 Michelson ..... D32/40  
D758,008 S \* 5/2016 Kolby ..... D28/7  
D789,600 S \* 6/2017 Nicoline ..... D28/7  
D800,961 S \* 10/2017 Silva ..... D28/7  
D808,582 S \* 1/2018 Mi ..... D28/7  
D811,654 S \* 2/2018 Nicoline ..... D28/7  
D822,277 S \* 7/2018 Xavier ..... D28/7  
D827,926 S \* 9/2018 Stark ..... D28/7

\* cited by examiner

*Primary Examiner* — Janice Hallmark

*Assistant Examiner* — Rebecca Tsehaye

(74) *Attorney, Agent, or Firm* — Davidson, Davidson & Kappel, LLC

(57) **CLAIM**

The ornamental design for a cosmetic sponge, as shown and described.

**DESCRIPTION**

FIG. 1 is a perspective front view of the cosmetic sponge showing my new design.

FIG. 2 is a left side view of the cosmetic sponge (right side is a mirror image).

FIG. 3 is a front view of the cosmetic sponge.

FIG. 4 is a rear view of the cosmetic sponge.

FIG. 5 is a view of the top of the cosmetic sponge; and,

FIG. 6 is a view of the bottom of the cosmetic sponge.

**1 Claim, 2 Drawing Sheets**

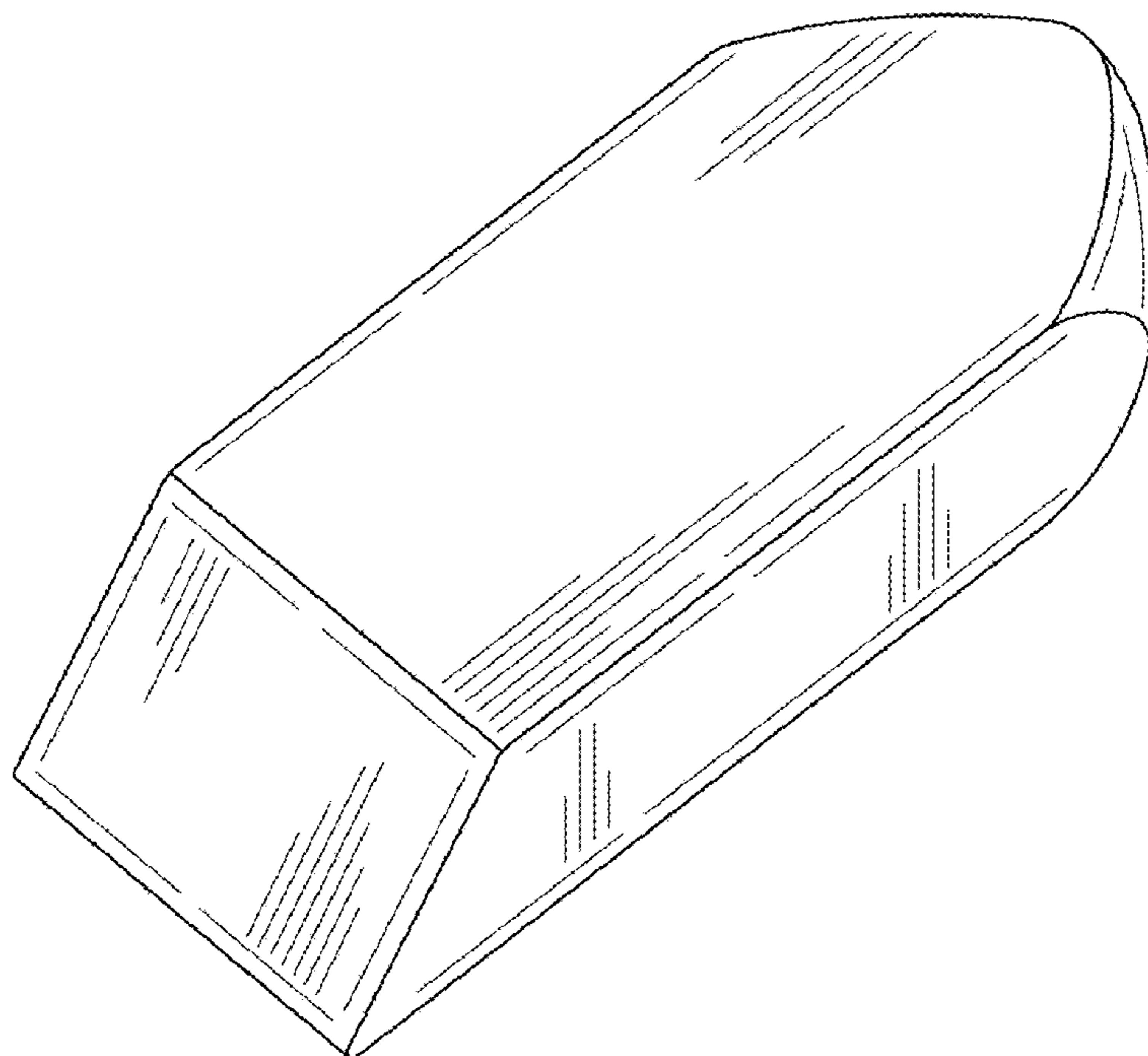


FIG. 1

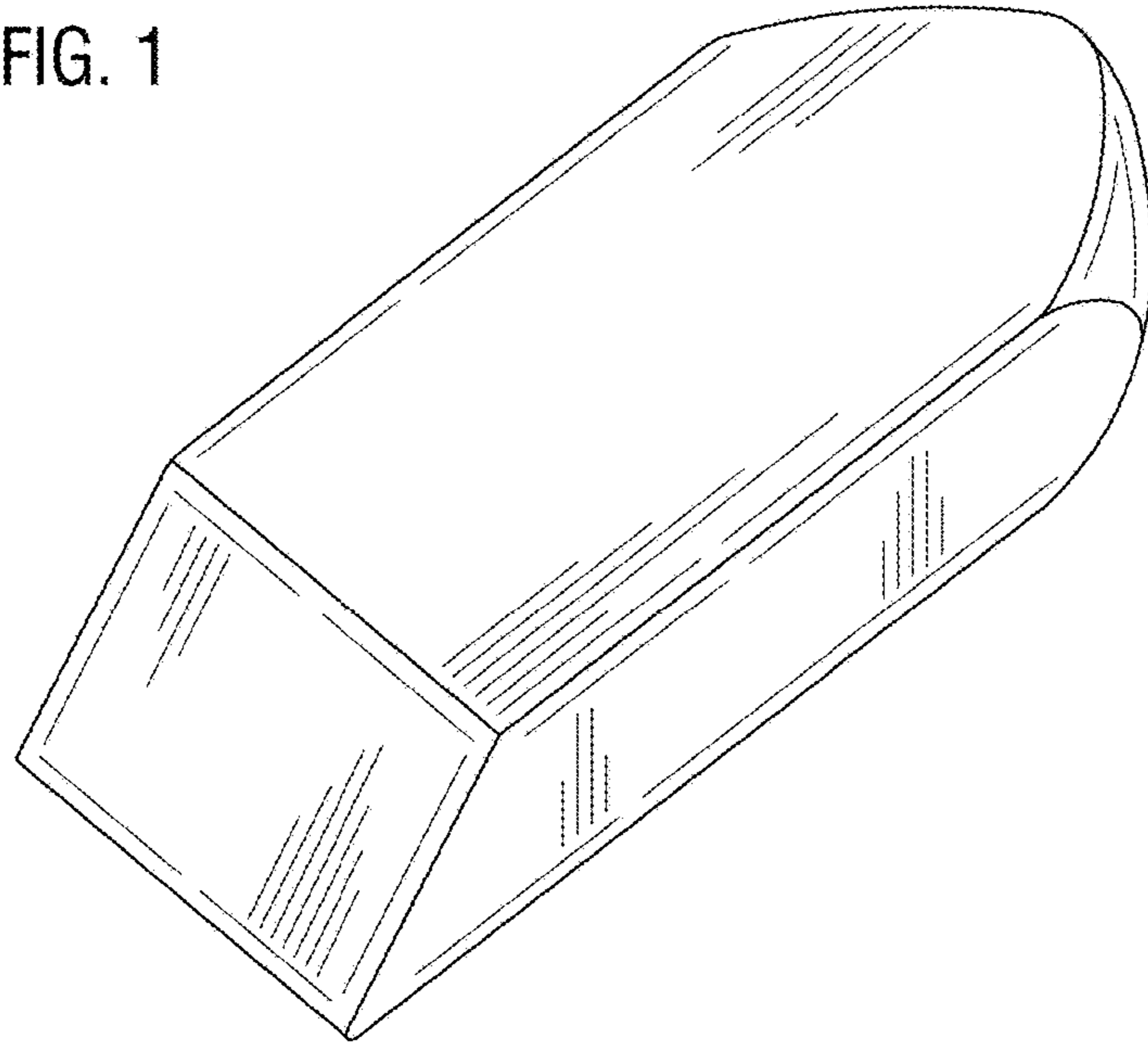


FIG. 2

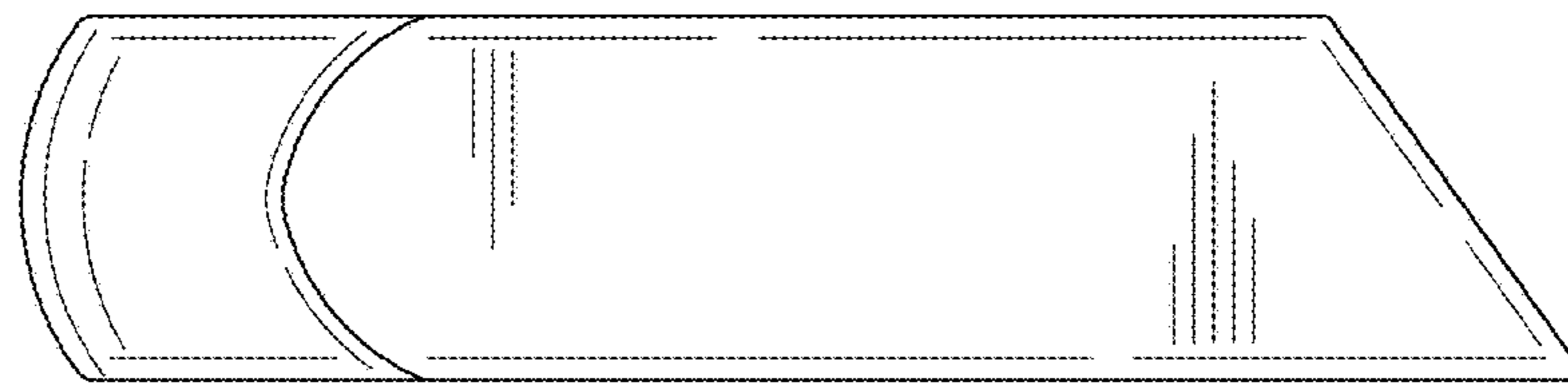


FIG. 3

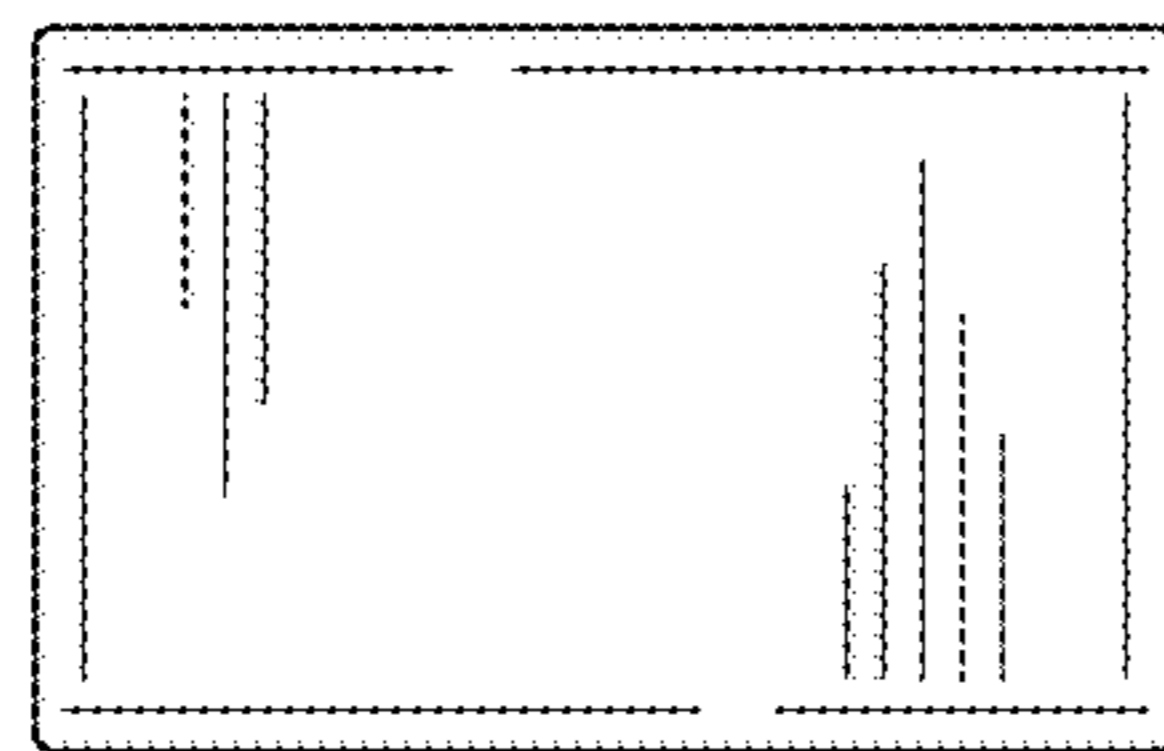


FIG. 4

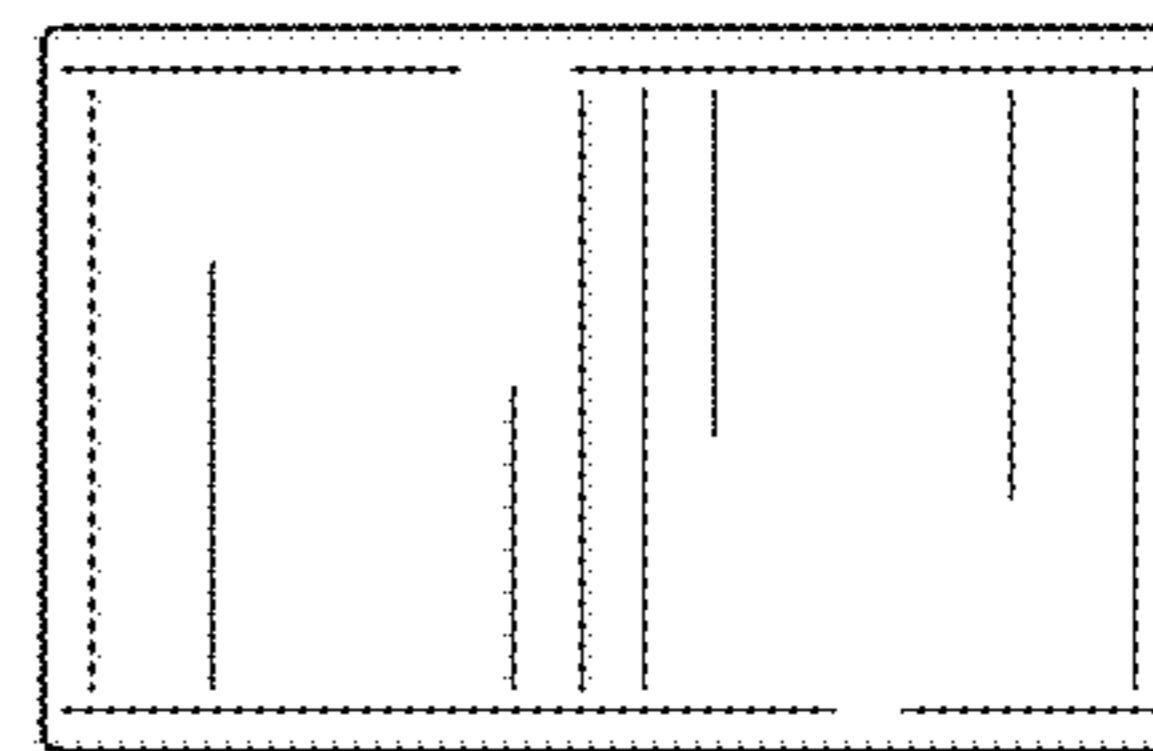


FIG. 5

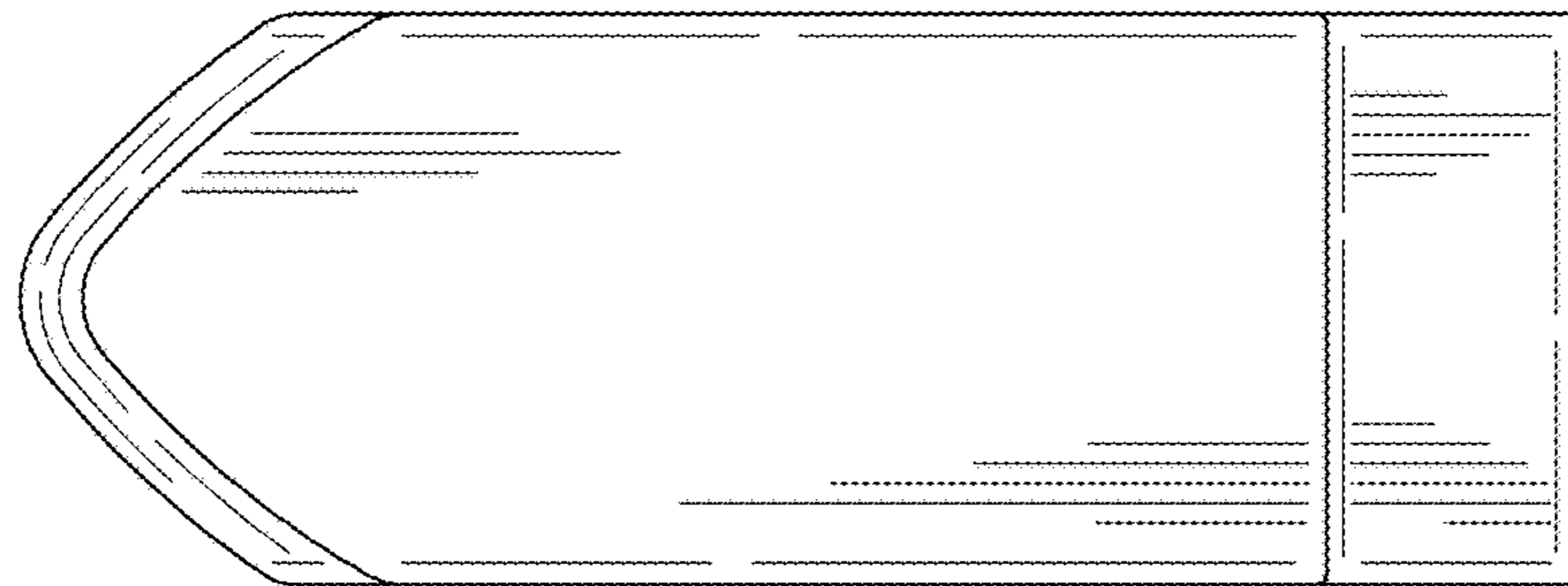


FIG. 6

