

US00D849317S

(12) **United States Design Patent** (10) **Patent No.:** **US D849,317 S**  
**Qiu** (45) **Date of Patent:** **\*\* May 21, 2019**

(54) **SMOKING DEVICE**  
(71) Applicant: **Joyetech Europe Holding GmbH, Zug**  
(CH)

D776,867 S \* 1/2017 Rado ..... D27/162  
D802,209 S \* 11/2017 Kesselman ..... D27/194  
D811,652 S \* 2/2018 Liu ..... D27/167  
D813,448 S \* 3/2018 Servutas ..... D27/167

(Continued)

(72) Inventor: **Weihua Qiu, Jiangsu (CN)**  
(73) Assignee: **JOYETECH EUROPE HOLDING GMBH, Zug (CH)**

*Primary Examiner* — Susan Bennett Hattan  
*Assistant Examiner* — Rebecca Tsehaye  
(74) *Attorney, Agent, or Firm* — Novick, Kim & Lee, PLLC; Allen Xue; Hyun Woo Shin

(\*\*) Term: **15 Years**

(57) **CLAIM**

(21) Appl. No.: **29/605,966**

I claim the ornamental design for a smoking device, as shown and described.

(22) Filed: **May 31, 2017**

**DESCRIPTION**

(51) **LOC (11) Cl.** ..... **27-02**

(52) **U.S. Cl.**  
USPC ..... **D27/162**

(58) **Field of Classification Search**  
USPC ..... D27/100, 101, 106, 162, 163, 165, 166, D27/167, 177, 183–194; D7/552.2, D7/553.6; D9/432, 451, 452, 502, 537, D9/556, 565, 643, 648, 661, 662, 713, D9/714, 721, 550.1; D24/110, 215; 131/178, 179, 191, 211, 222, 242.6, 260, 131/273, 329, 330, 358, 360, 367; 209/397, 399  
CPC ..... A24F 1/26; A24F 1/30; A24F 7/00; A24F 9/16; A24F 13/00; A24F 13/08; A24F 13/16; A24F 15/00; A24F 23/00; A24F 23/02

FIG. 1 is a top perspective view of a first embodiment of a smoking device, showing my new design;  
FIG. 2 is a bottom perspective view thereof;  
FIG. 3 is a front elevational view thereof;  
FIG. 4 is a rear elevational view thereof;  
FIG. 5 is a left side elevational view thereof;  
FIG. 6 is a right side elevational view thereof;  
FIG. 7 is a top plan view thereof;  
FIG. 8 is a bottom plan view thereof;  
FIG. 9 is another bottom perspective view thereof with a bottom cap removed;  
FIG. 10 is a top perspective view of a second embodiment of the smoking device with a top cap removed;  
FIG. 11 is a bottom perspective view thereof;  
FIG. 12 is a front elevational view thereof;  
FIG. 13 is a rear elevational view thereof;  
FIG. 14 is a left side elevational view thereof;  
FIG. 15 is a right side elevational view thereof;  
FIG. 16 is a top plan view thereof;  
FIG. 17 is a bottom plan view thereof; and,  
FIG. 18 is another bottom perspective view thereof with a bottom cap removed.

See application file for complete search history.

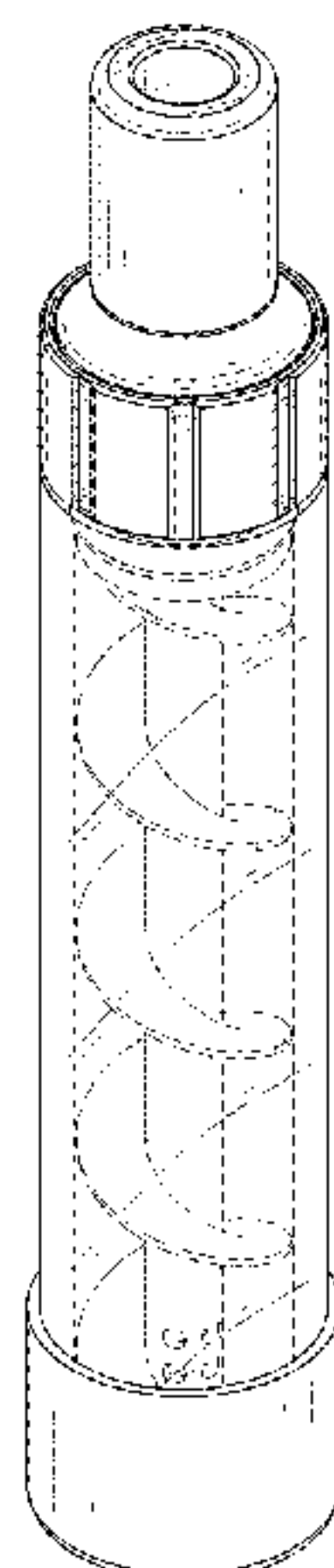
The features shown in broken lines in the drawings form no part of the claimed design.

(56) **References Cited**

**U.S. PATENT DOCUMENTS**

5,050,621 A \* 9/1991 Creighton ..... A24B 15/165  
131/194  
D652,571 S \* 1/2012 Shenassa ..... D27/163  
D724,264 S \* 3/2015 Chambers ..... D27/101  
D761,487 S \* 7/2016 Han ..... D27/162  
D772,478 S \* 11/2016 Liu ..... D27/167

**1 Claim, 18 Drawing Sheets**



(56)

**References Cited**

U.S. PATENT DOCUMENTS

D817,544 S *	5/2018	Chen	.....	D27/167
9,968,127 B2 *	5/2018	Han	.....	A24F 1/28
D823,534 S *	7/2018	Chen	.....	D27/162
D826,470 S *	8/2018	Huang	.....	D27/167
D828,623 S *	9/2018	Fornarelli	.....	D27/194
2017/0049153 A1 *	2/2017	Guo	.....	A24F 47/008

\* cited by examiner

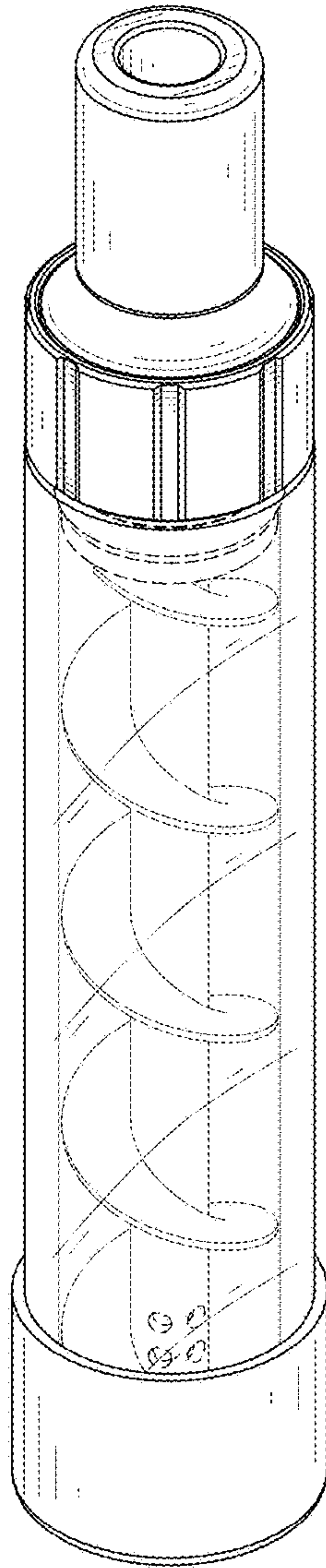


FIG. 1

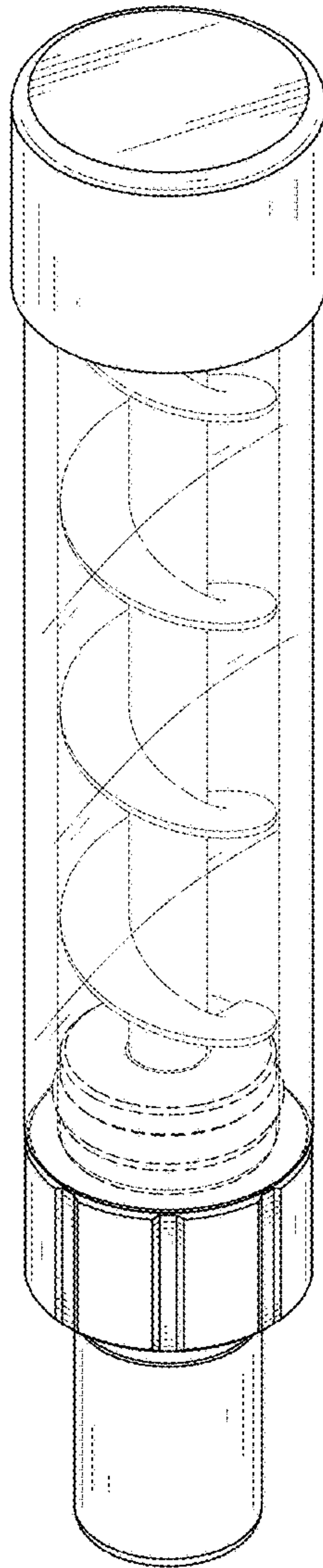


FIG. 2

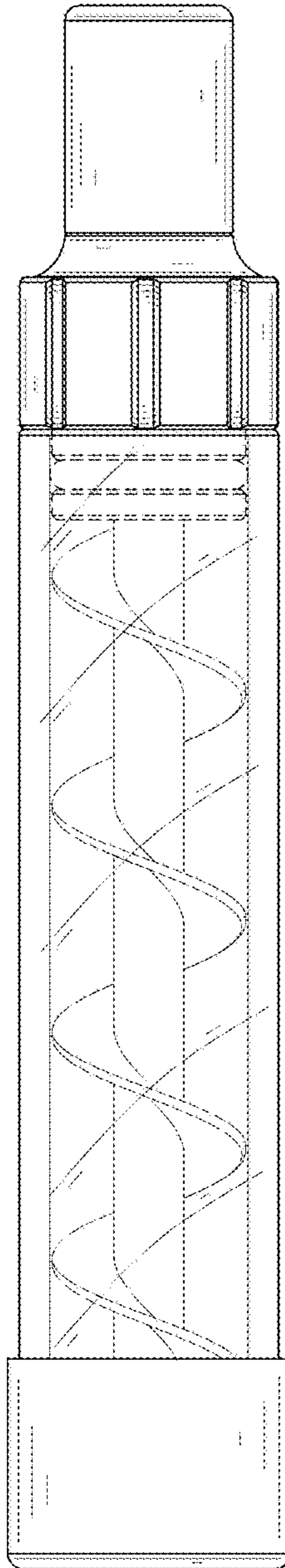


FIG. 3

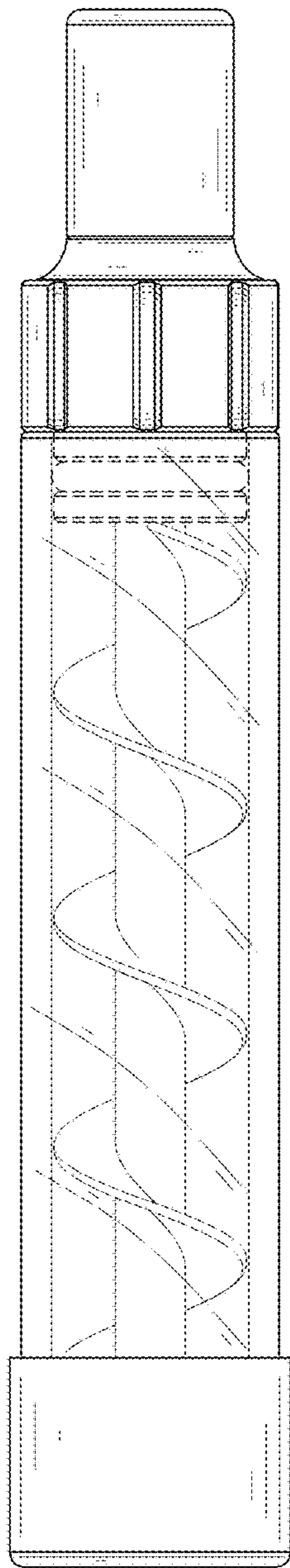


FIG. 4

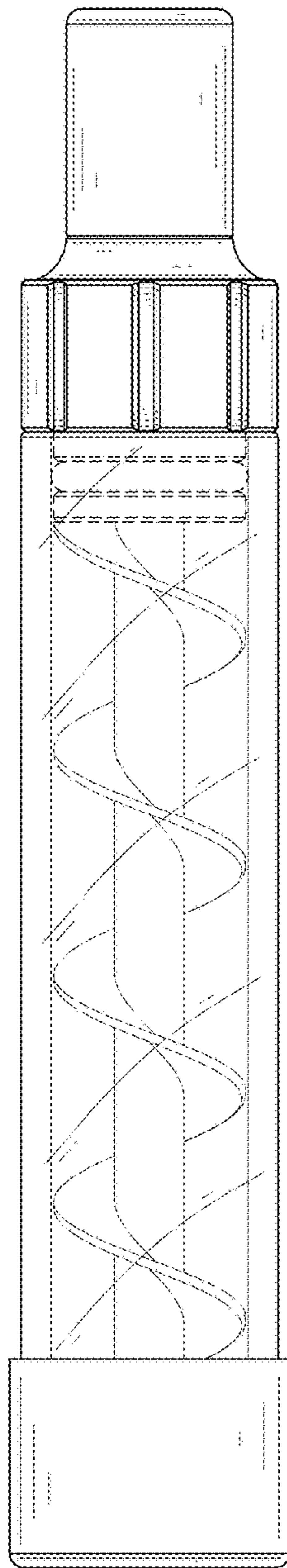


FIG. 5



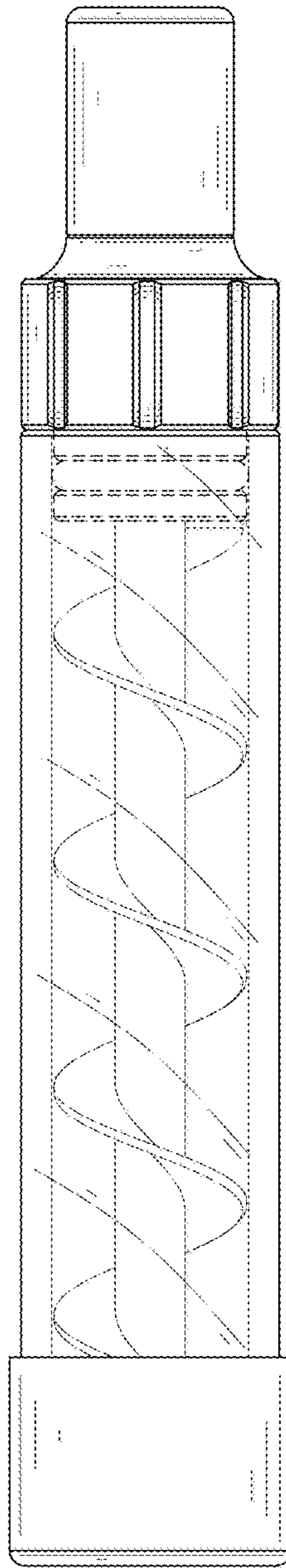


FIG. 6



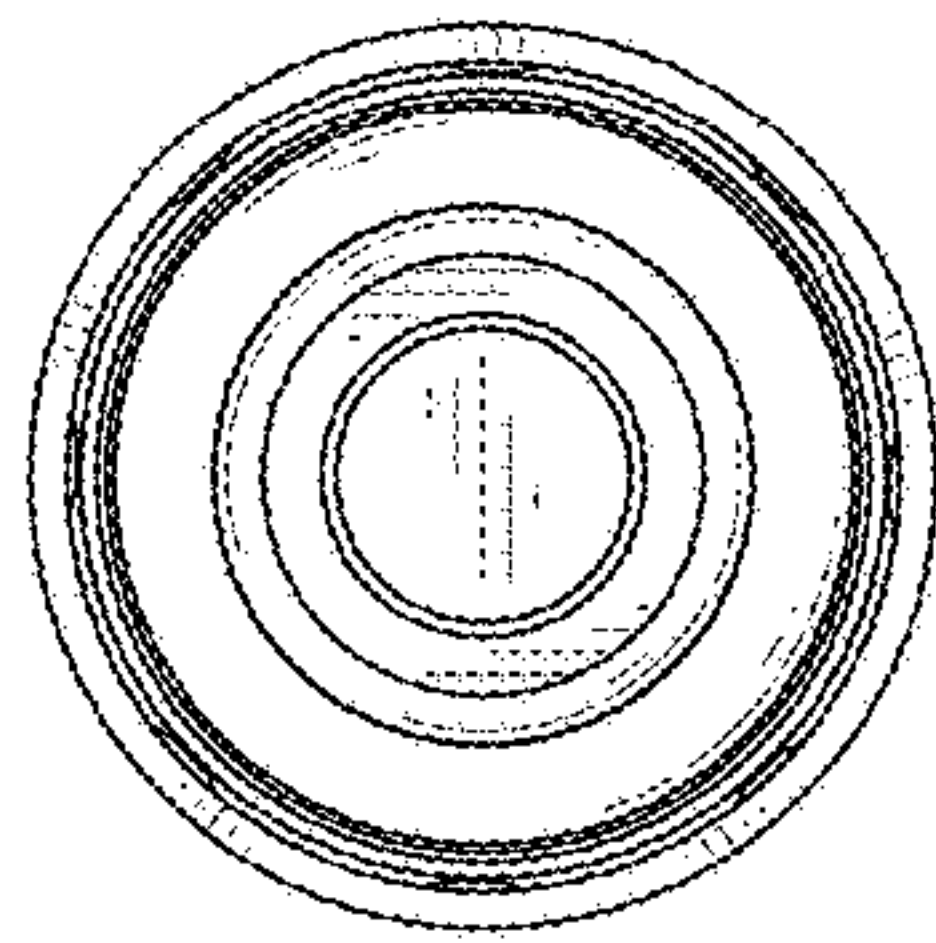


FIG. 7

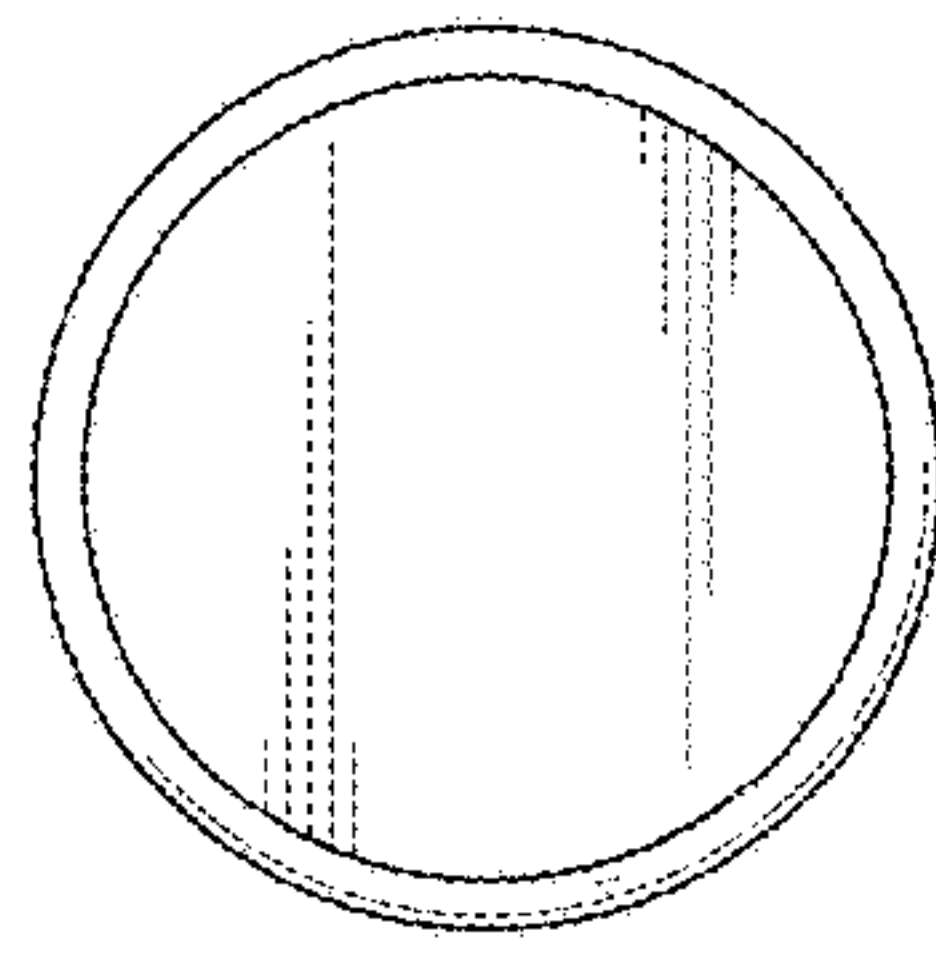


FIG. 8

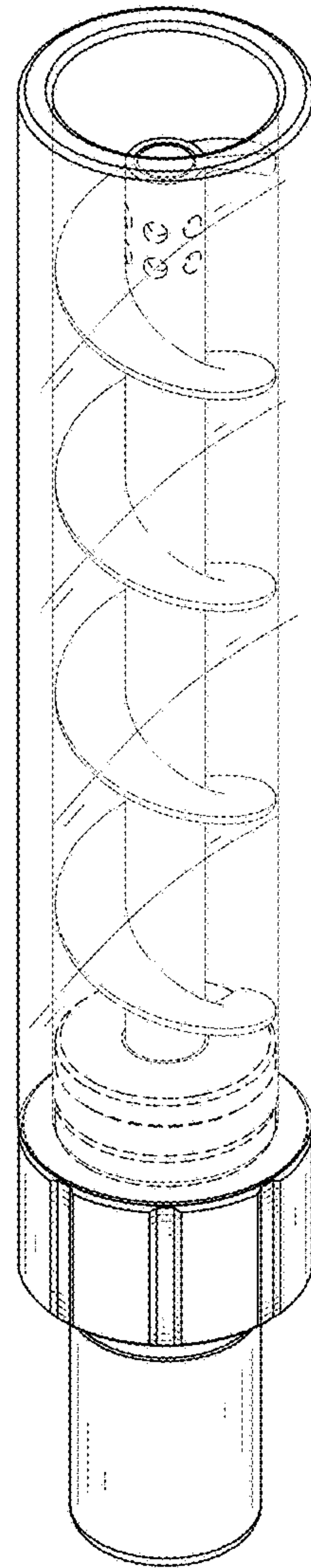


FIG. 9

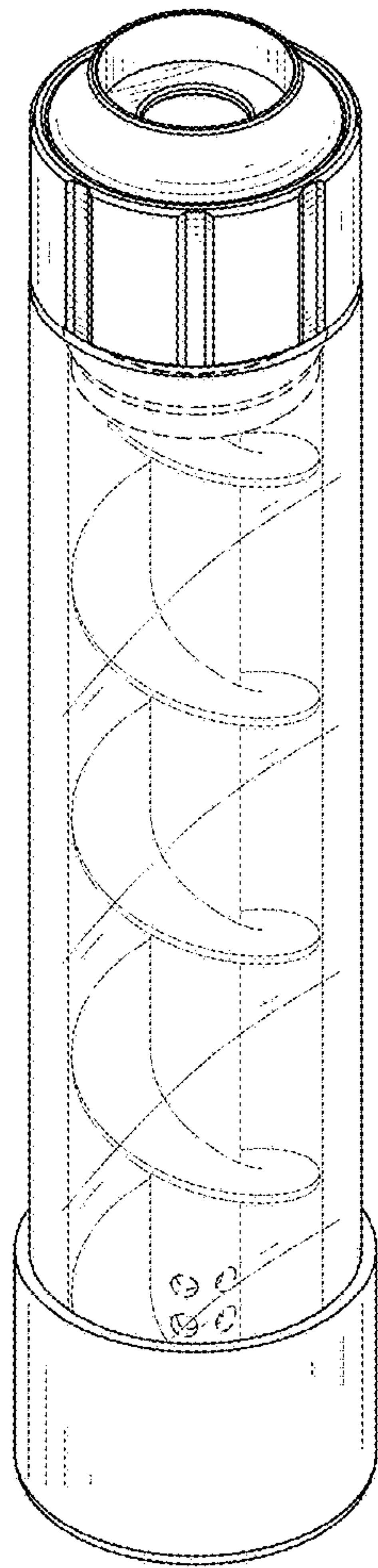


FIG. 10

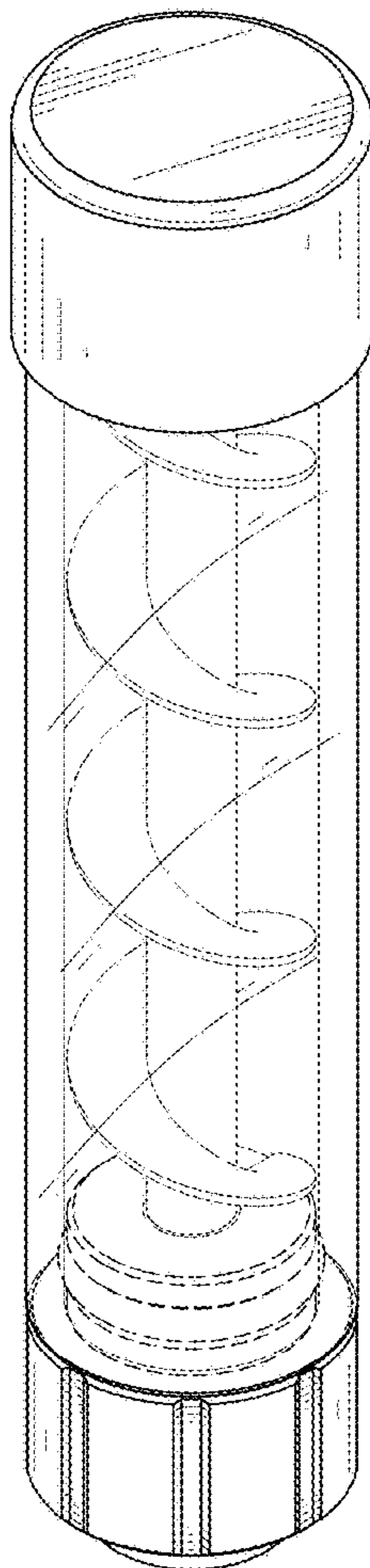


FIG. 11

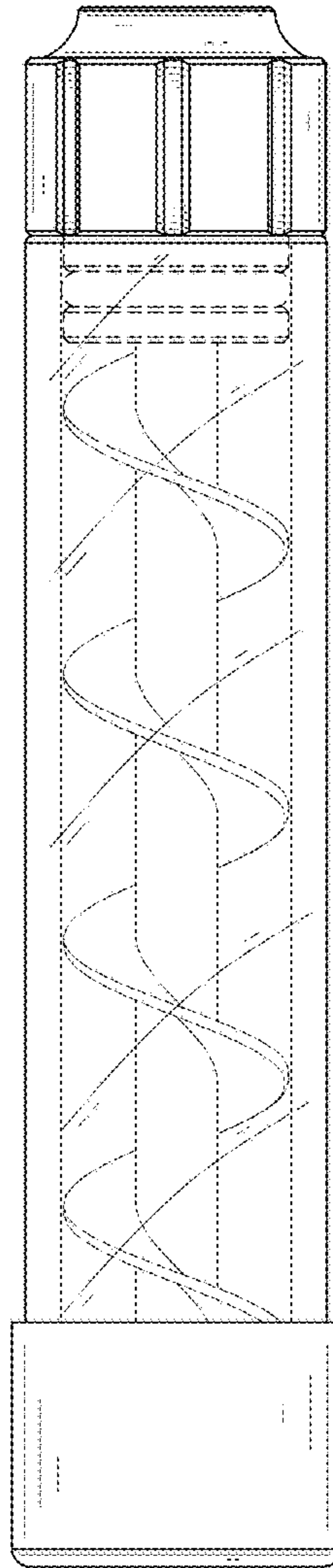


FIG. 12

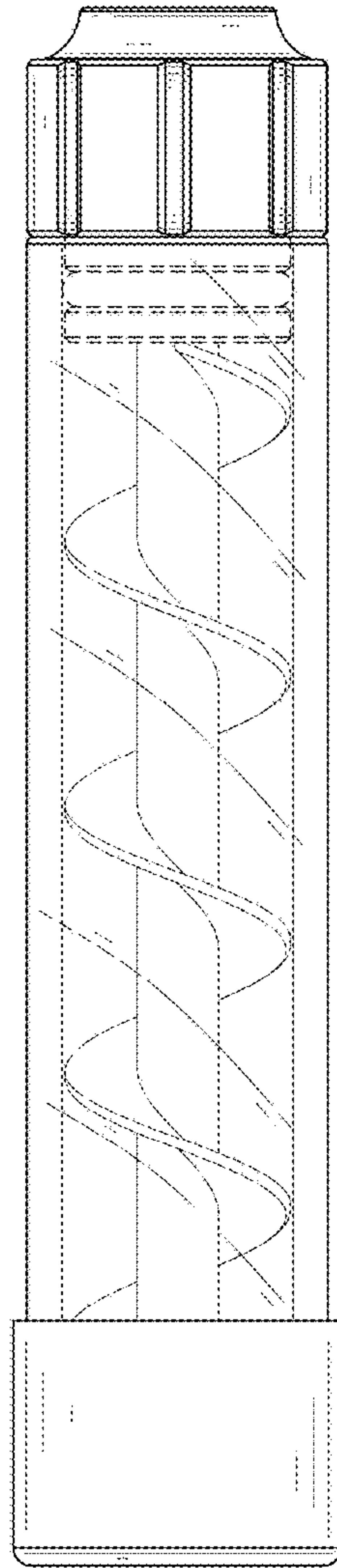


FIG. 13



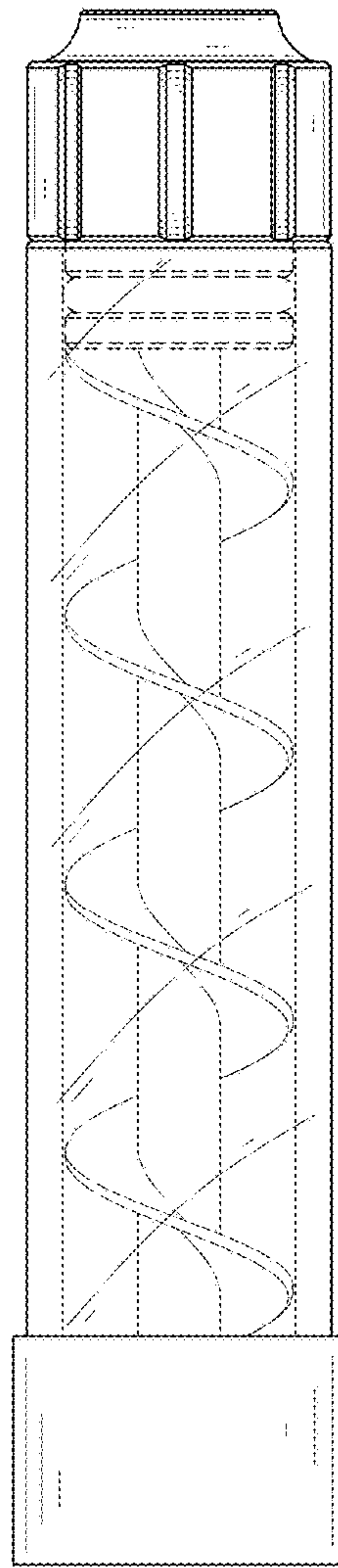


FIG. 14

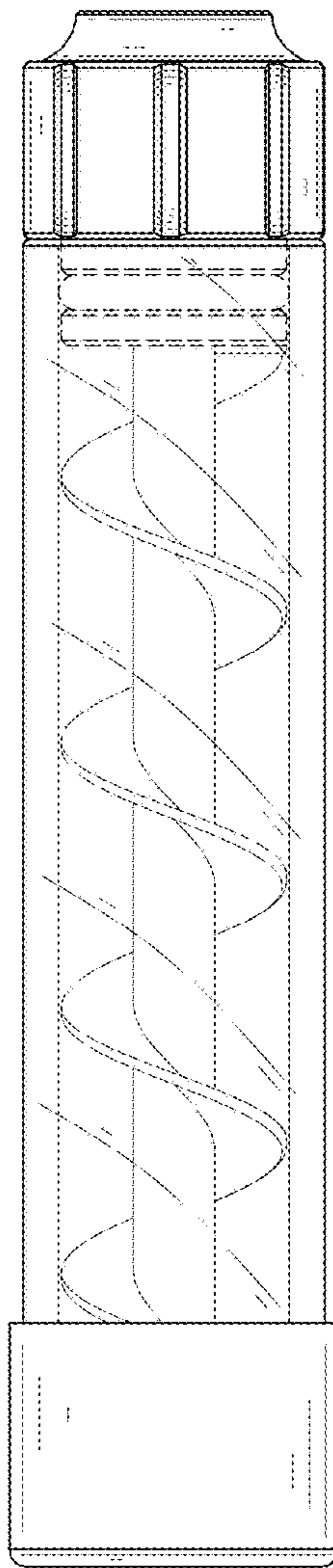


FIG. 15

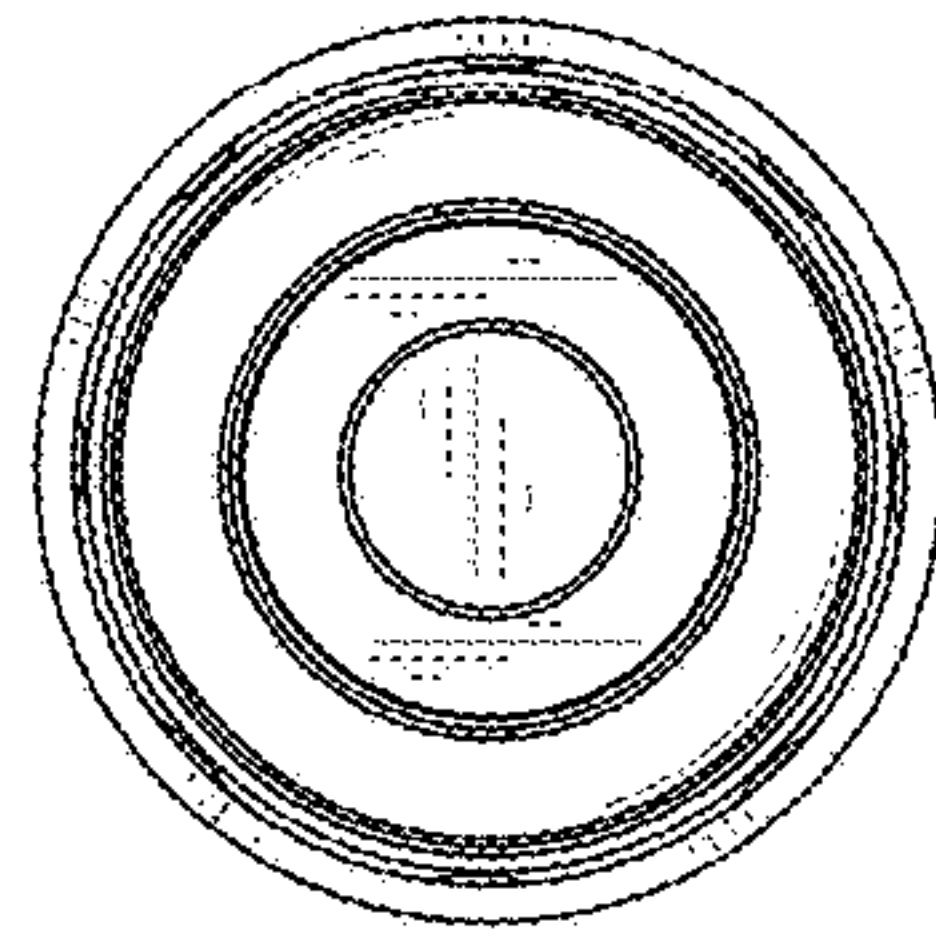


FIG. 16

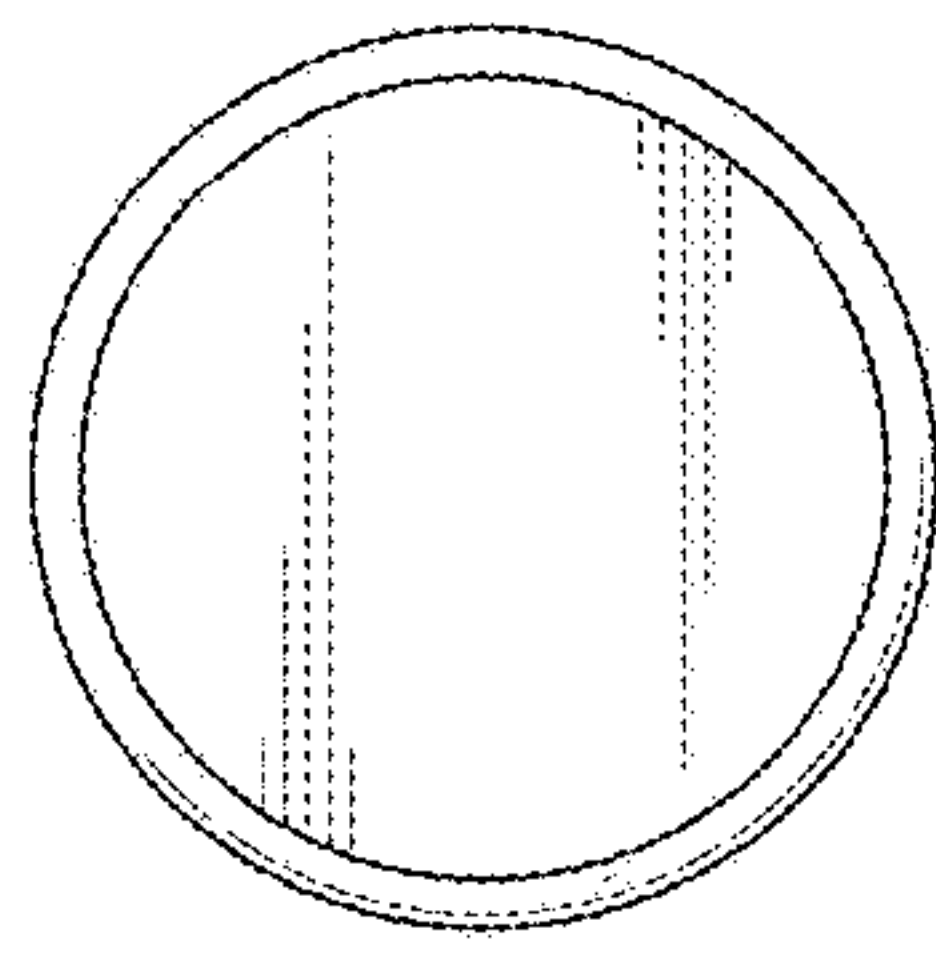


FIG. 17

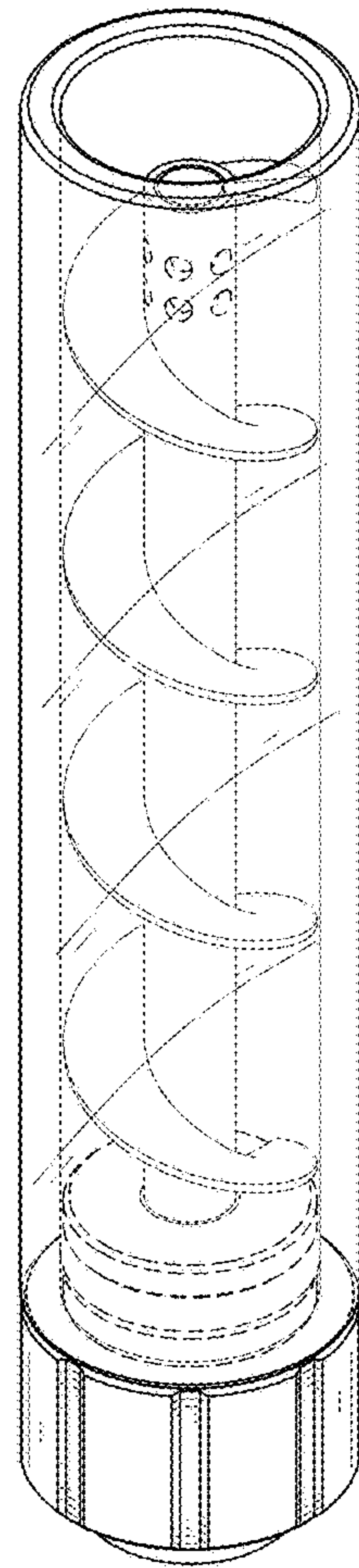


FIG. 18