



US00D849316S

(12) **United States Design Patent** (10) **Patent No.:** **US D849,316 S**
Wessel et al. (45) **Date of Patent:** **** *May 21, 2019**

(54) **PIPE LIGHTER**

(71) Applicants: **Jacob A. Wessel**, Pittsburg, PA (US);
Sean Geng, Savannah, GA (US)

(72) Inventors: **Jacob A. Wessel**, Pittsburg, PA (US);
Sean Geng, Savannah, GA (US)

(*) Notice: This patent is subject to a terminal disclaimer.

(**) Term: **15 Years**

(21) Appl. No.: **29/603,706**

(22) Filed: **May 11, 2017**

(51) **LOC (11) Cl.** **27-05**

(52) **U.S. Cl.**
USPC **D27/139**

(58) **Field of Classification Search**
USPC D27/139; D7/416; 431/129, 143, 153
CPC F23Q 1/00; F23Q 7/14; F23Q 7/16
See application file for complete search history.

(56) **References Cited**

U.S. PATENT DOCUMENTS

D420,977 S *	2/2000	Lohrding	D13/110
D424,372 S *	5/2000	Chevalier	D7/416
6,065,958 A *	5/2000	Adams	C10L 11/00
				361/260

D477,747 S *	7/2003	Hsu	D7/416
D477,748 S *	7/2003	Deffner	D7/416
D490,650 S *	6/2004	van Geenen	D7/416
D497,285 S *	10/2004	Qi	D7/416
D503,675 S *	4/2005	Lodato	D13/107
D538,968 S *	3/2007	Lin	D27/147
D570,039 S *	5/2008	Huang	D27/147
D618,059 S *	6/2010	Huang	D7/416
D667,994 S *	9/2012	Lin	D27/139
8,505,547 B2 *	8/2013	Bao	A24F 3/00
				131/185

* cited by examiner

Primary Examiner — Susan Bennett Hattan
Assistant Examiner — Rebecca Tsehaye
(74) *Attorney, Agent, or Firm* — John G. Posa; Belzer PC

(57) **CLAIM**

The ornamental design for a pipe lighter, as shown and described.

DESCRIPTION

FIG. 1 is an oblique view of the claimed design seen from a first perspective;
FIG. 2 is front view of the claimed design;
FIG. 3 is a first side view of the claimed design;
FIG. 4 is a second side view of the claimed design;
FIG. 5 is a back view of the claimed design;
FIG. 6 is a top view of the claimed design; and,
FIG. 7 is a bottom view of the claimed design.

1 Claim, 6 Drawing Sheets

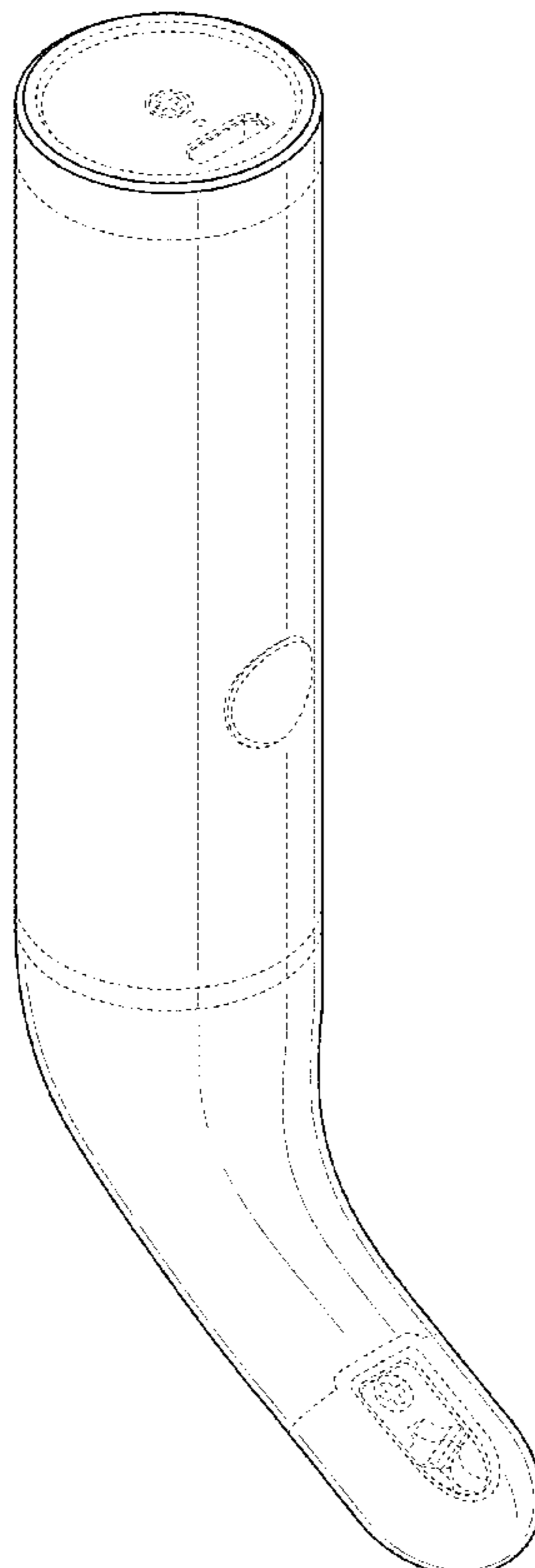


FIG. 1

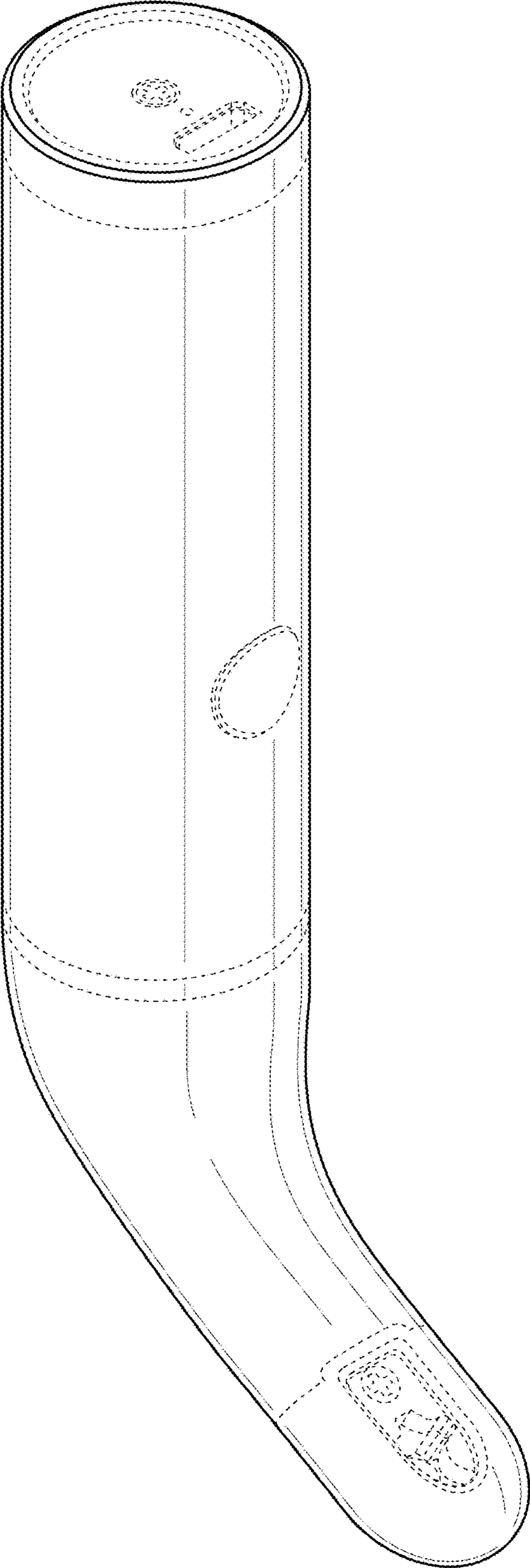


FIG. 2

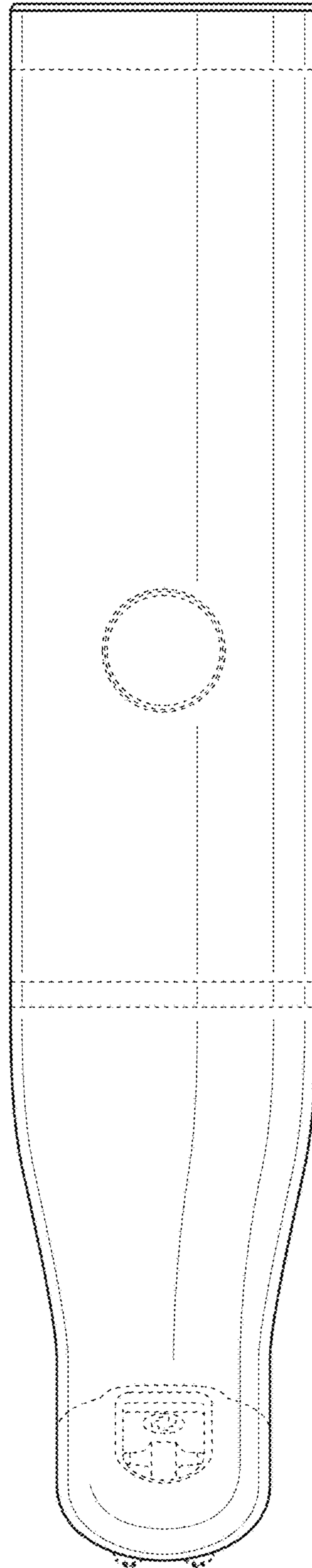


FIG. 3

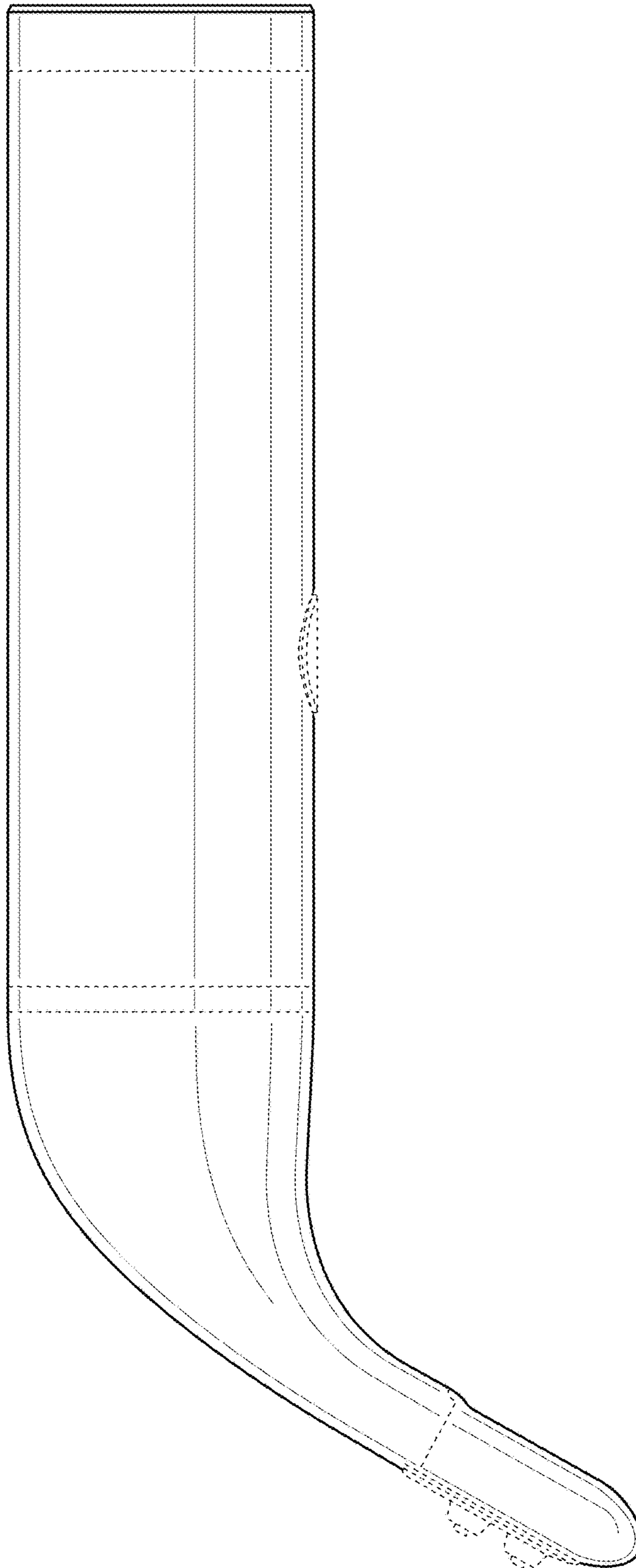


FIG. 4

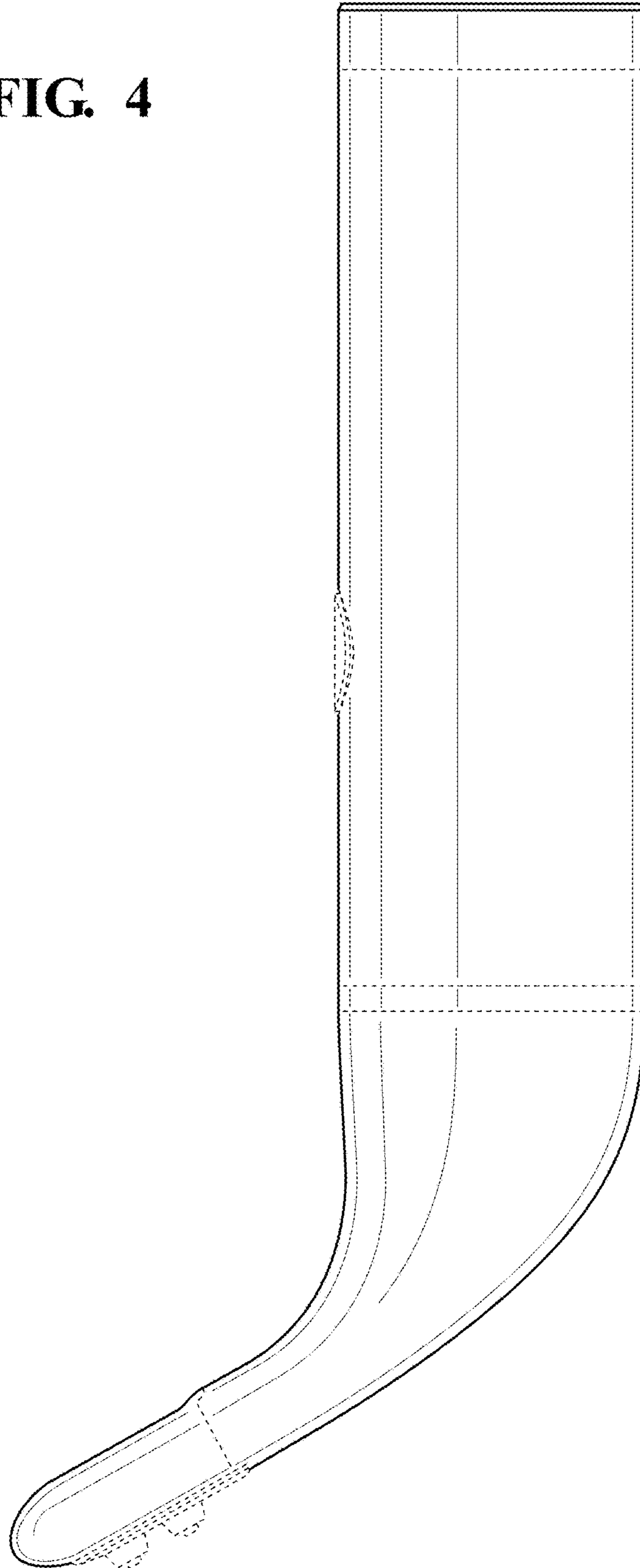


FIG. 5

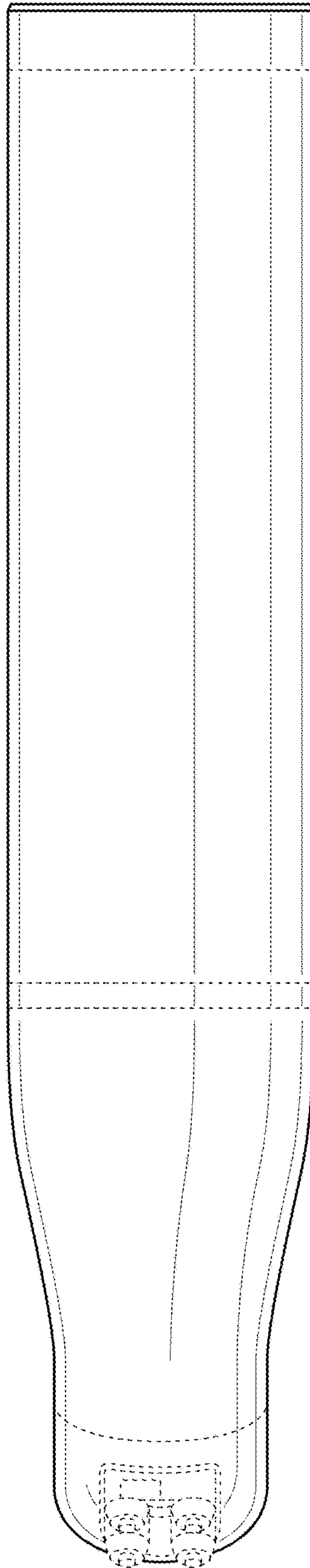


FIG. 6

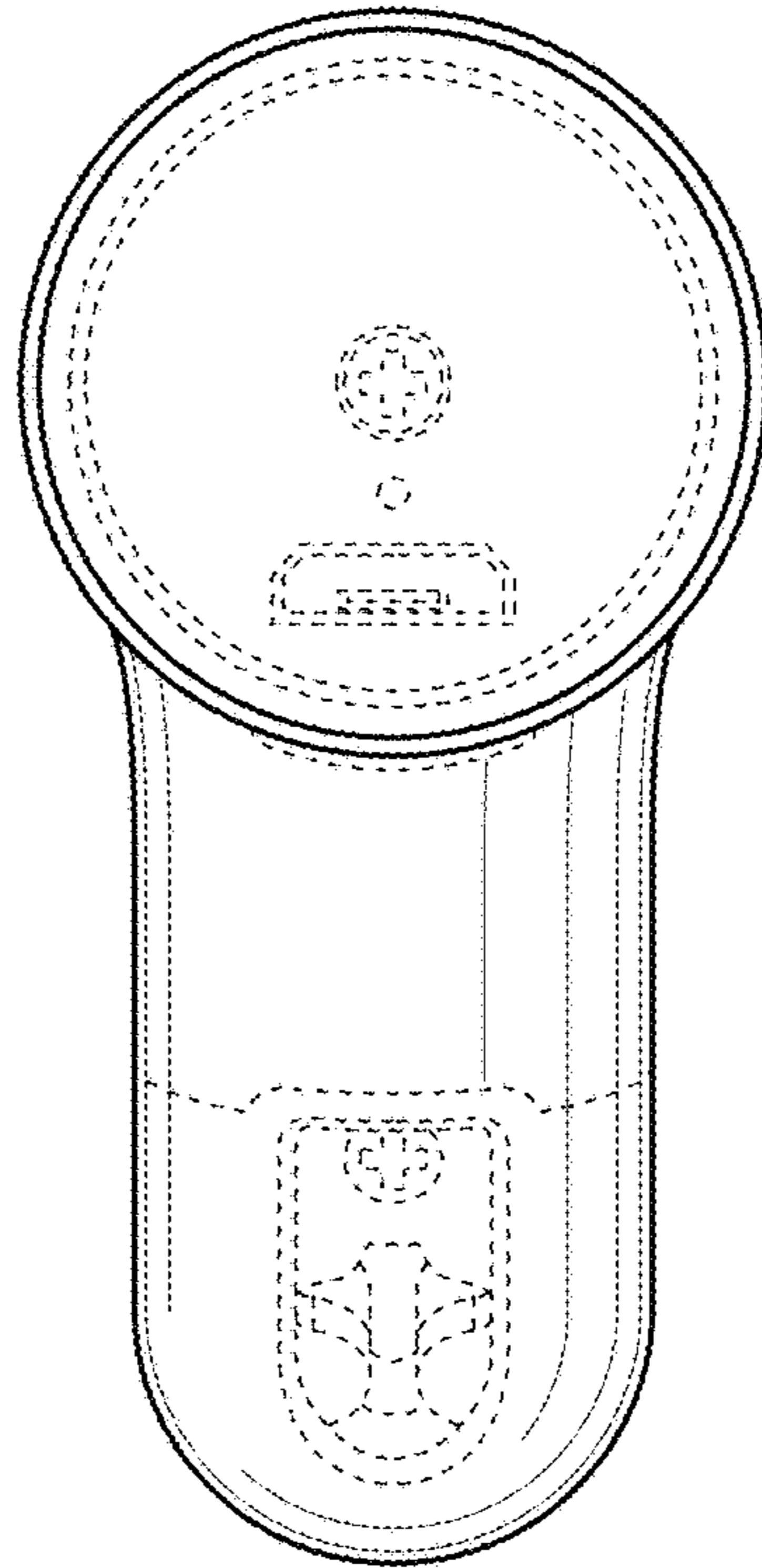


FIG. 7

