



US00D849315S

(12) **United States Design Patent** (10) **Patent No.:** **US D849,315 S**
Deng (45) **Date of Patent:** **** May 21, 2019**

(54) **SHOEBOX LIGHT**

(56) **References Cited**

(71) Applicant: **Dongguan Pan American Electronics Co., Ltd**, DongGuan, GuangDong (CN)

U.S. PATENT DOCUMENTS

(72) Inventor: **Jinsheng Deng**, DongGuan (CN)

D634,875 S *	3/2011	Jiang	D26/71
D648,885 S *	11/2011	Toratani	D26/71
D672,492 S *	12/2012	Butler	D26/71
D817,533 S *	5/2018	Wan	D26/71
D818,174 S *	5/2018	Wan	D26/71
D819,246 S *	5/2018	Liu	D26/71
D819,859 S *	6/2018	Zou	D26/71
D821,014 S *	6/2018	Long	D26/63
D821,016 S *	6/2018	Wan	D26/71
D822,261 S *	7/2018	Demuynck	D26/92
D822,868 S *	7/2018	Liu	D26/71

(73) Assignee: **DONGGUAN PAN AMERICAN ELECTRONICS CO., LTD**, Dongguan (CN)

(**) Term: **15 Years**

* cited by examiner

(21) Appl. No.: **29/606,769**

Primary Examiner — Brian N. Vinson

(22) Filed: **Jun. 7, 2017**

(74) *Attorney, Agent, or Firm* — Ladas & Parry LLP

(30) **Foreign Application Priority Data**

(57) **CLAIM**

Mar. 31, 2017 (CN) 2017 3 0104076

The ornamental design for a shoebox light, as shown and described.

(51) **LOC (11) Cl.** **26-03**

DESCRIPTION

(52) **U.S. Cl.**

USPC **D26/113; D26/92**

(58) **Field of Classification Search**

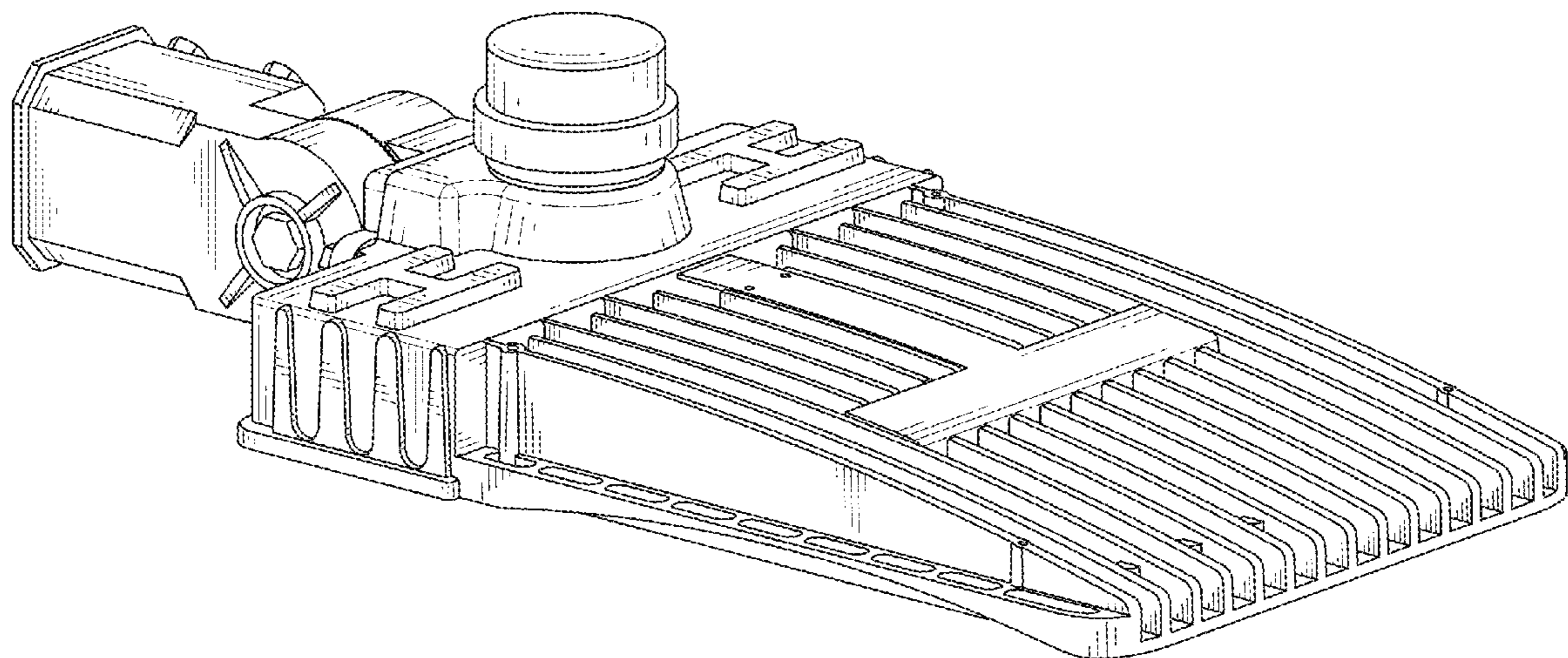
USPC D13/134–136; D26/67, 68, 71, 72, 87, D26/92

CPC .. F21S 8/036; F21S 8/038; F21S 8/043; F21S 8/081; F21S 8/083; F21S 8/085; F21S 8/086; F21S 8/088; F21S 13/10; F21S 9/03; F21S 9/035; F21S 9/037; F21S 10/063

FIG. 1 is a front, top, right perspective view of a shoebox light showing my new design;
FIG. 2 is a rear, bottom, left perspective view thereof;
FIG. 3 is a front elevational view thereof;
FIG. 4 is a rear elevational view thereof;
FIG. 5 is a left side elevational view thereof;
FIG. 6 is a right side elevational view thereof;
FIG. 7 is a top plan view thereof; and,
FIG. 8 is a bottom plan view thereof.

See application file for complete search history.

1 Claim, 8 Drawing Sheets



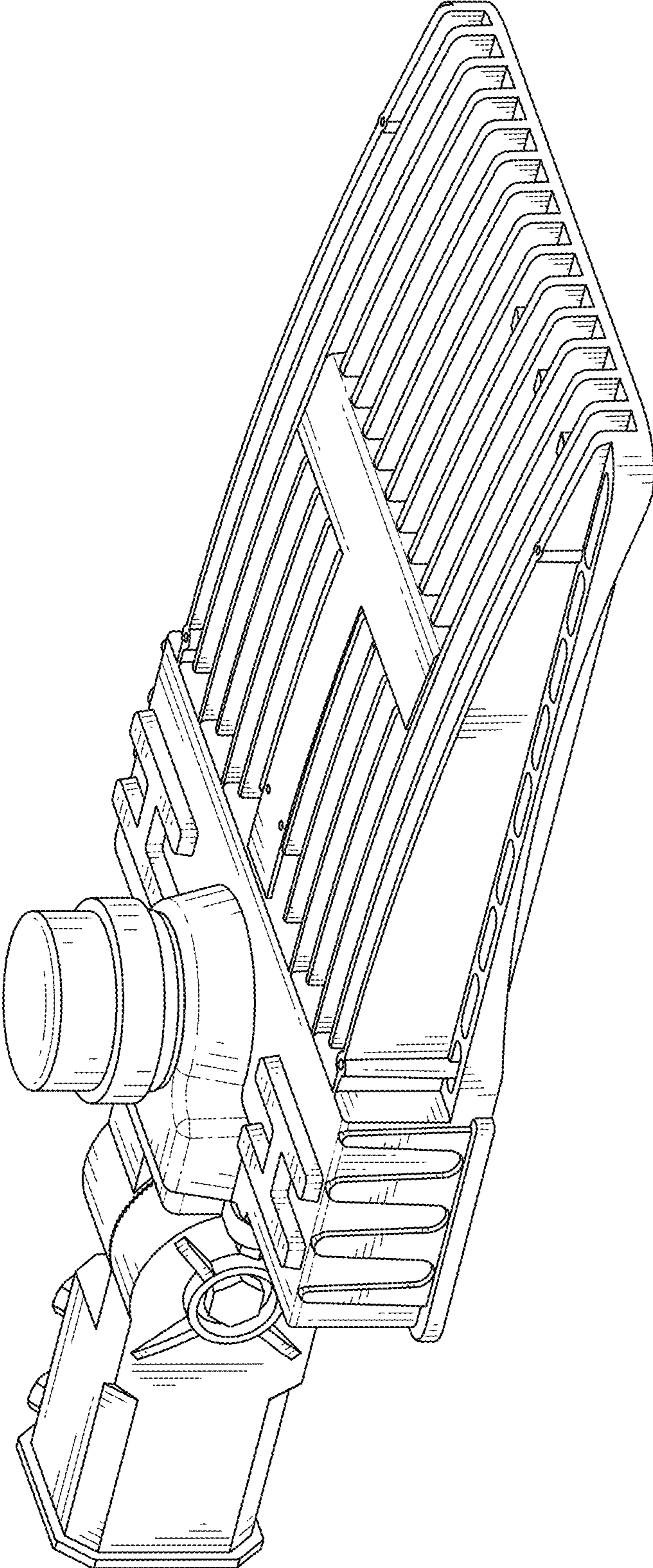


FIG. 1

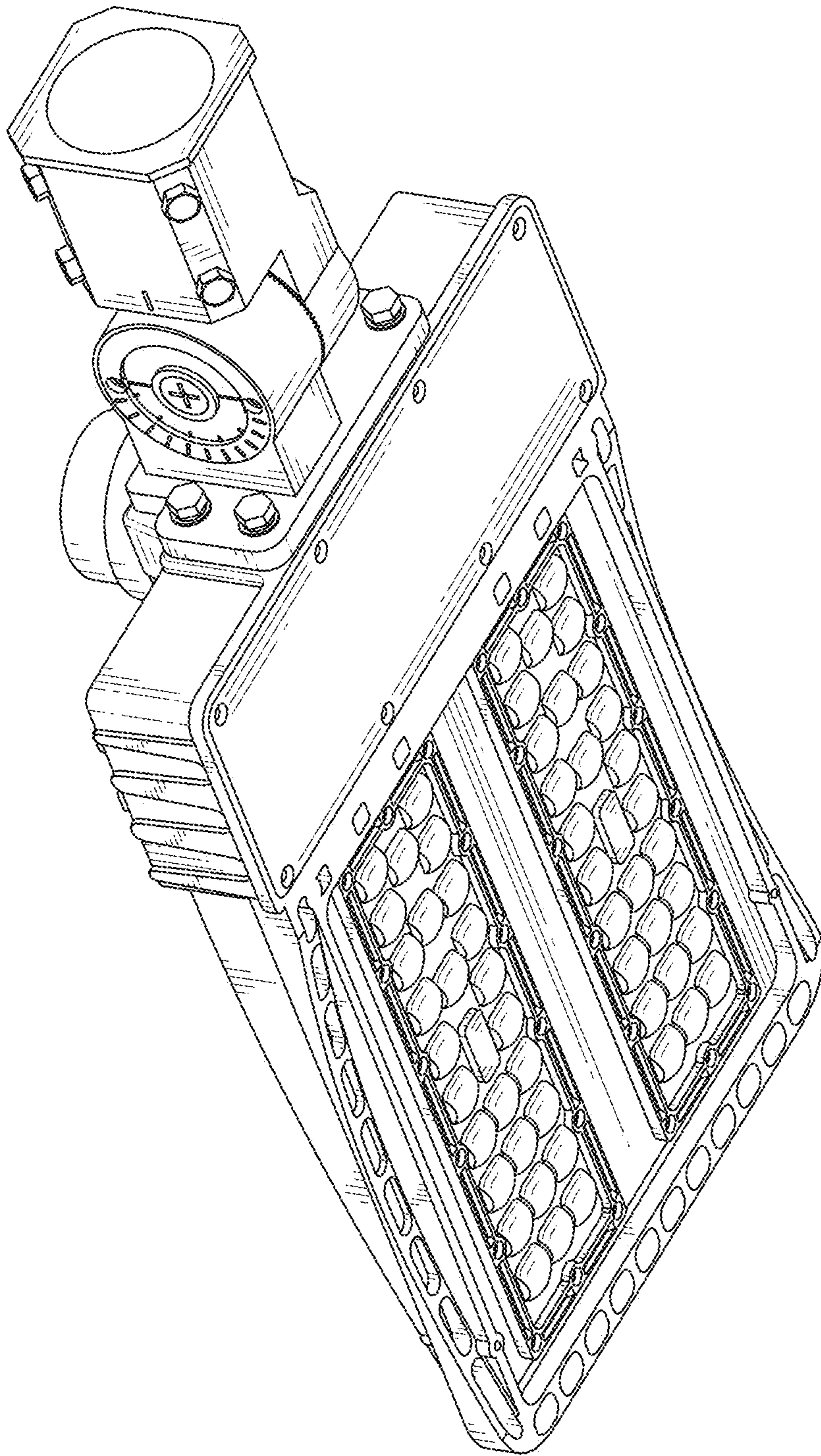


FIG. 2

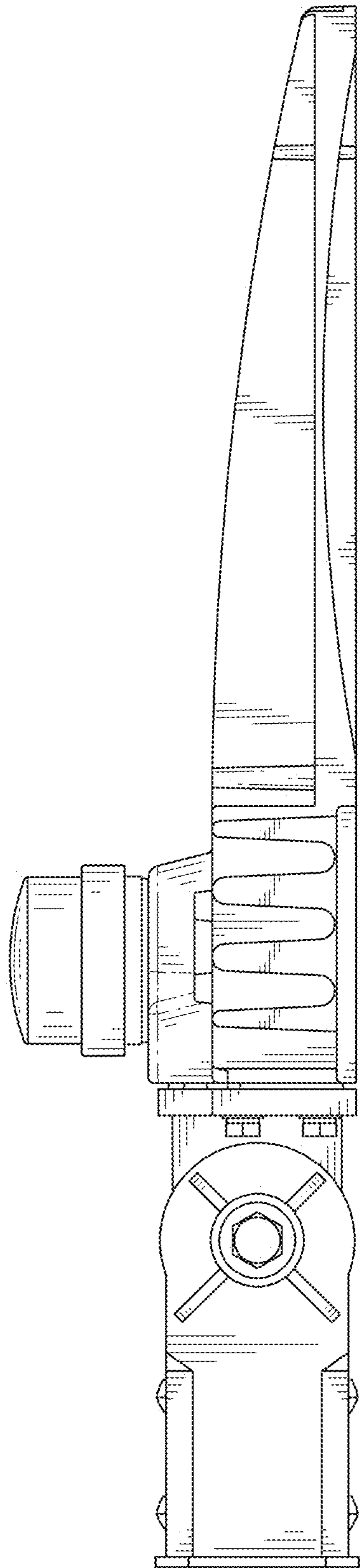


FIG. 3

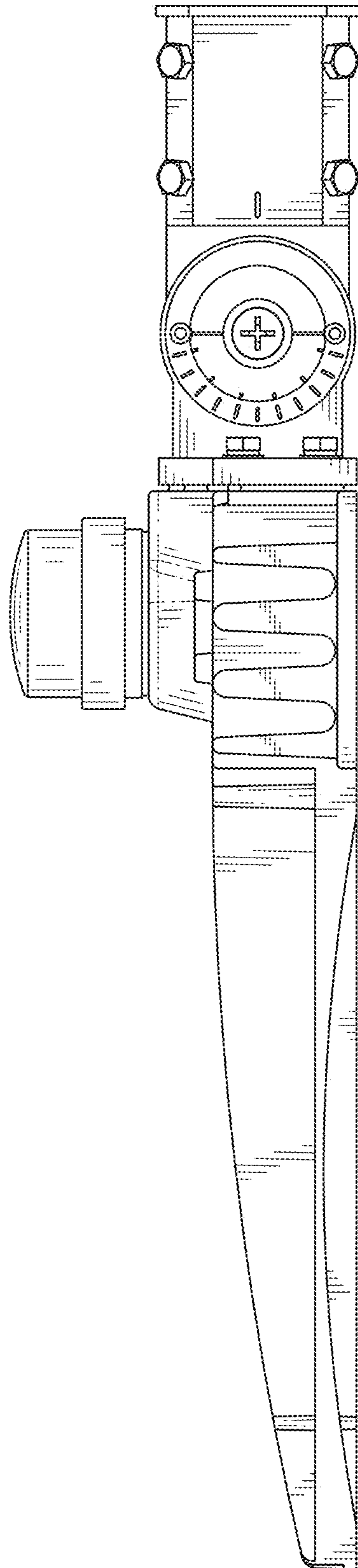


FIG. 4

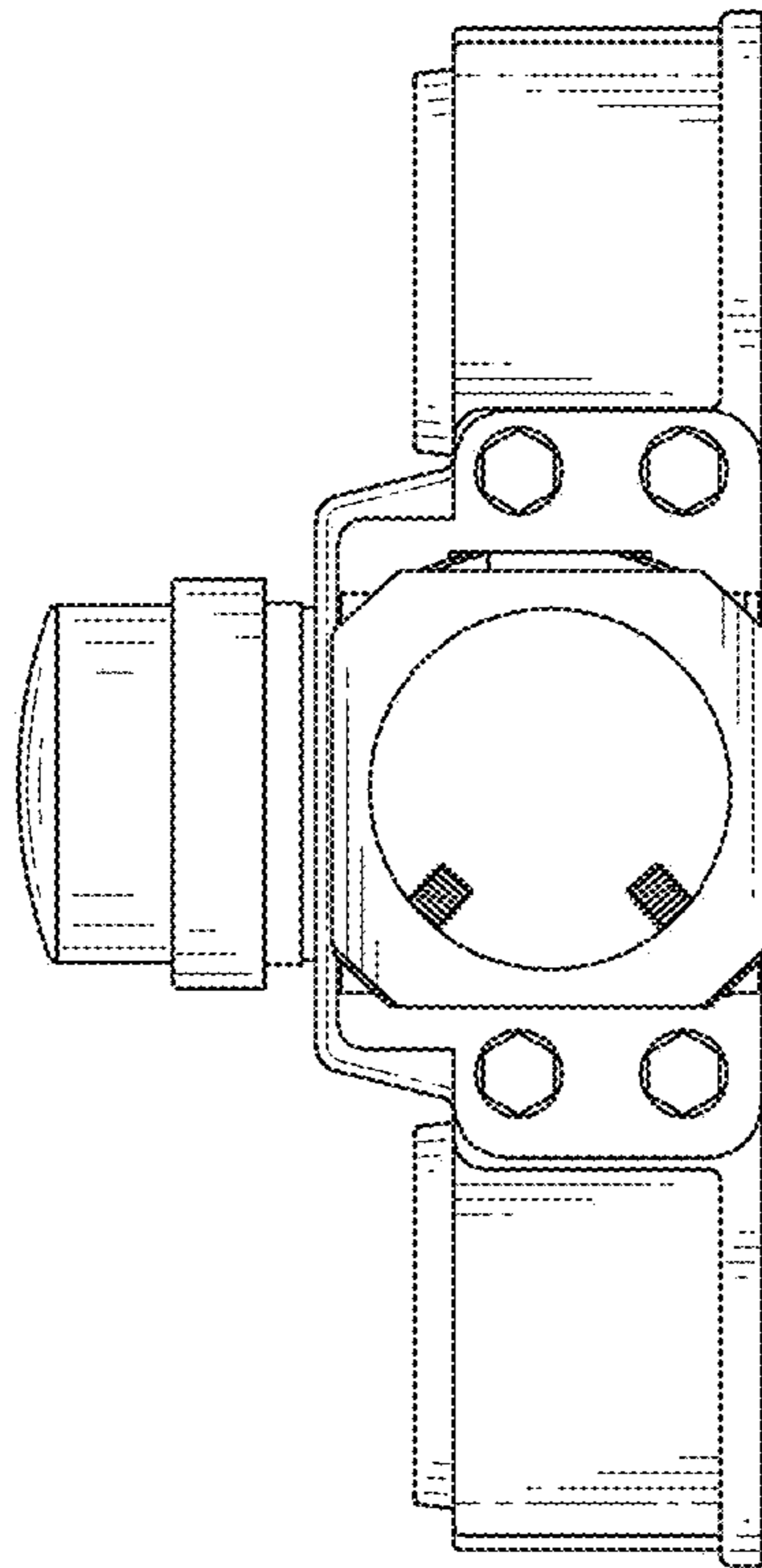


FIG. 5

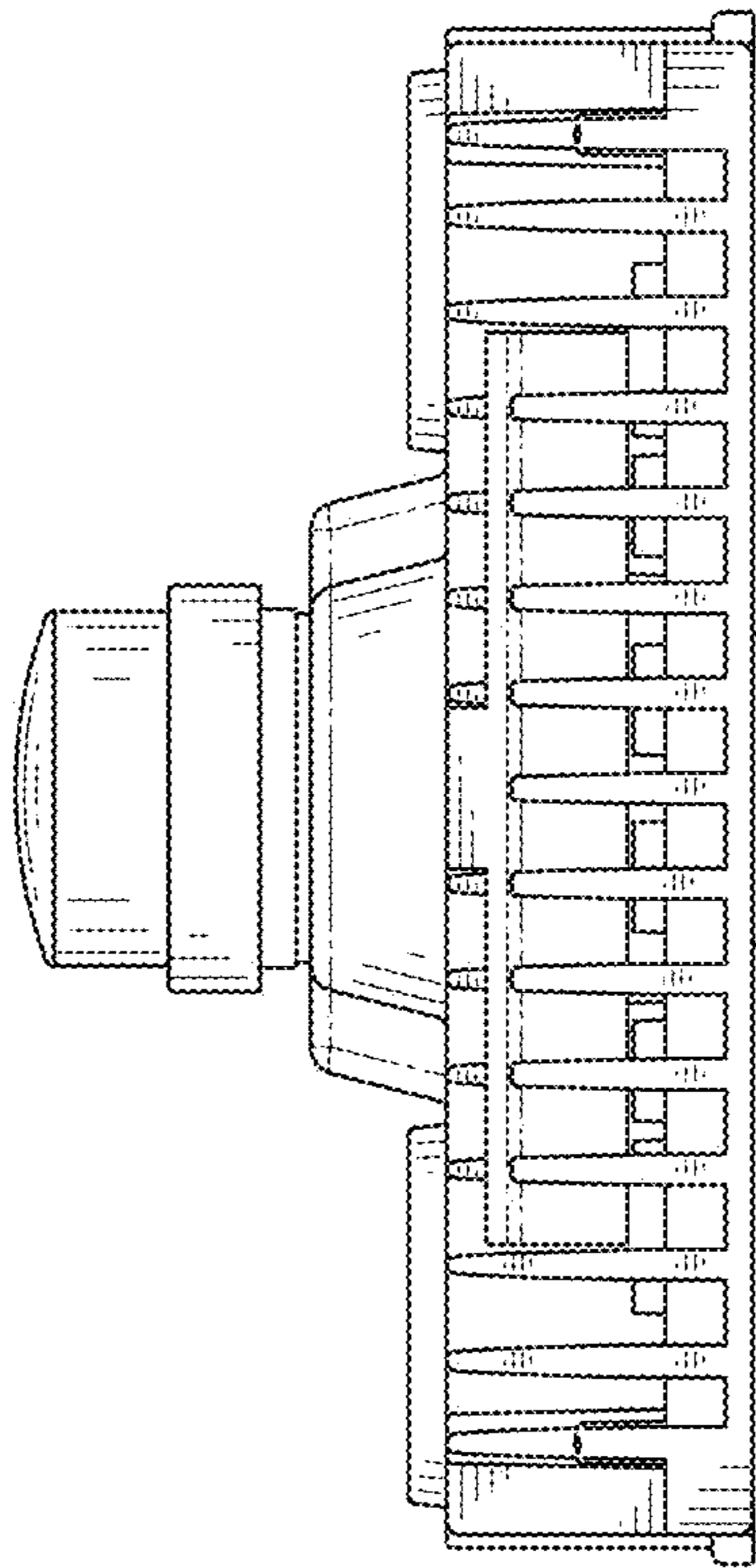


FIG. 6

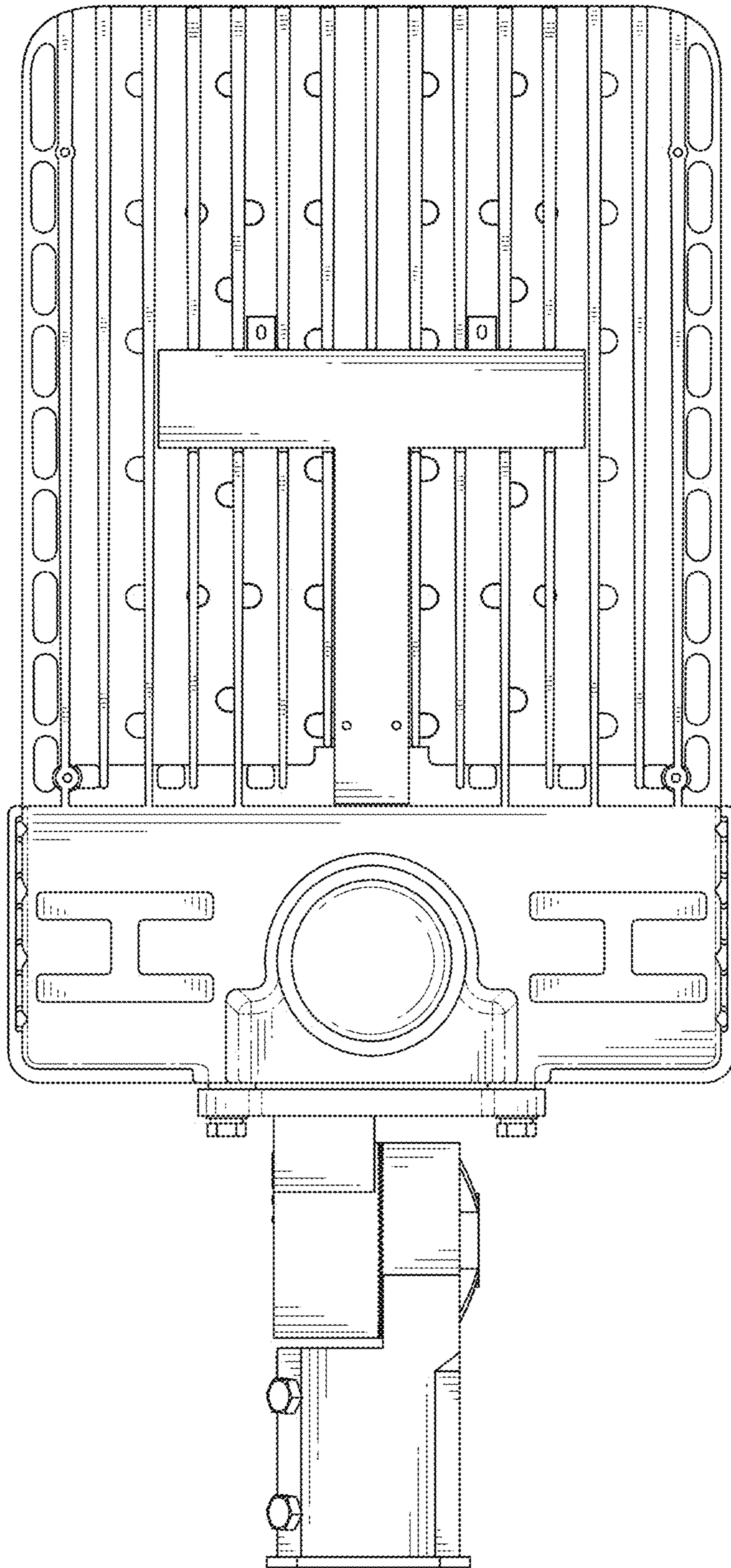


FIG. 7

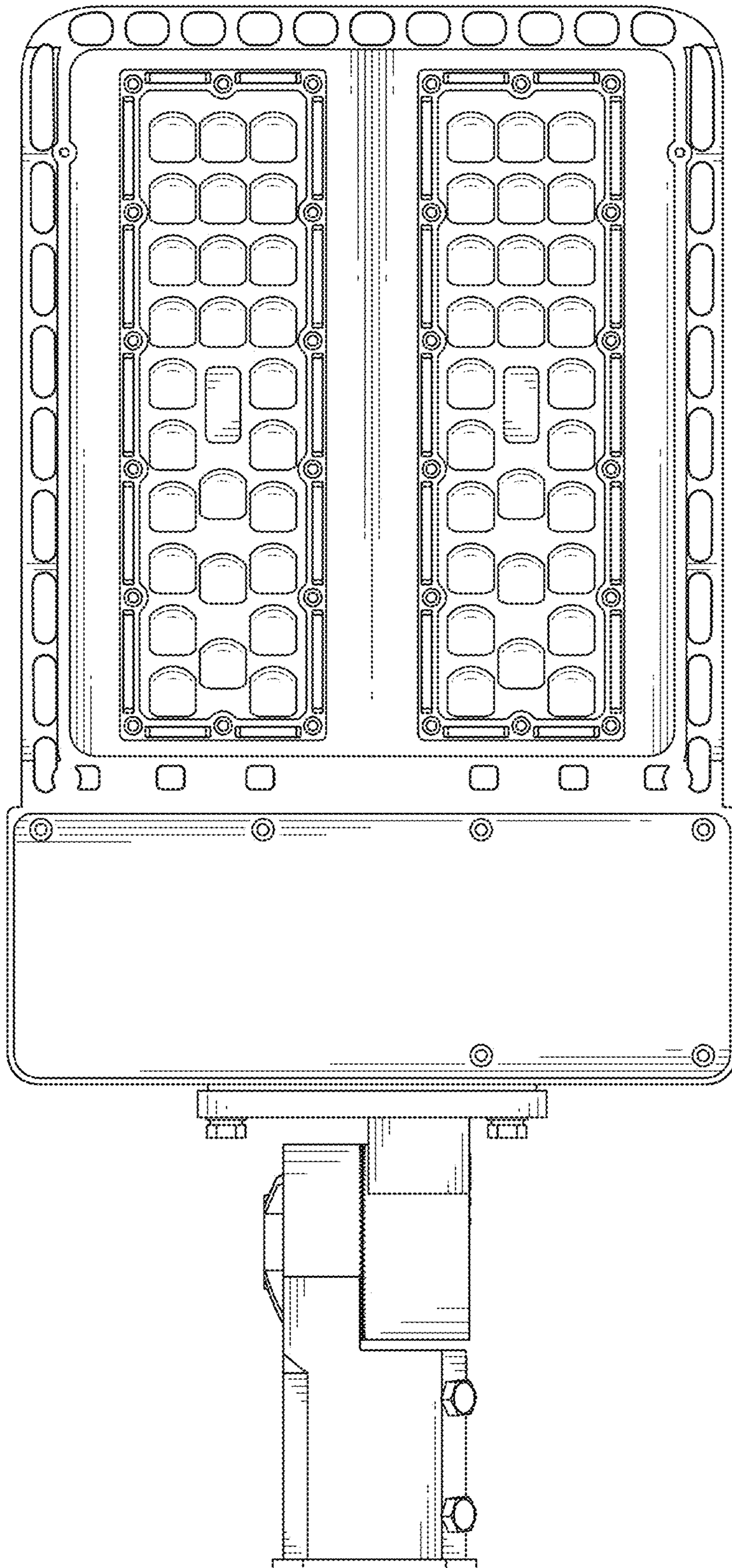


FIG. 8