



US00D849314S

(12) **United States Design Patent**
Pan

(10) **Patent No.:** **US D849,314 S**

(45) **Date of Patent:** **** May 21, 2019**

(54) **MOON LAMP**

(71) Applicant: **Dongguan Qiangneng Electronics Co., Ltd.**, Dongguan (CN)

(72) Inventor: **Nengqiang Pan**, Dongguan (CN)

(**) Term: **15 Years**

(21) Appl. No.: **29/632,563**

(22) Filed: **Jan. 8, 2018**

(51) **LOC (11) Cl.** **26-03**

(52) **U.S. Cl.**
USPC **D26/106**

(58) **Field of Classification Search**
USPC D26/24, 93, 95, 104, 106, 110; D21/398
CPC F21S 6/00; F21S 6/002; F21S 6/004; F21S 6/008; F21S 8/08; F21S 10/00; F21S 10/06; F21V 21/00; F21V 21/02; F21W 2131/30
See application file for complete search history.

(56) **References Cited**

U.S. PATENT DOCUMENTS

2,608,779 A * 9/1952 Joy F21S 10/00
362/809
D178,075 S * 6/1956 Manly D26/104

3,531,636 A * 9/1970 Birch F21S 10/06
362/232
D226,728 S * 4/1973 Nyssen D26/104
D379,550 S * 5/1997 Kuo D26/118
D590,097 S * 4/2009 Tam D26/104
D637,667 S * 5/2011 Lin D21/398
D803,467 S * 11/2017 Zahn D26/106
D824,081 S * 7/2018 Zahn D26/106

* cited by examiner

Primary Examiner — Brian N. Vinson

(74) *Attorney, Agent, or Firm* — W&K IP

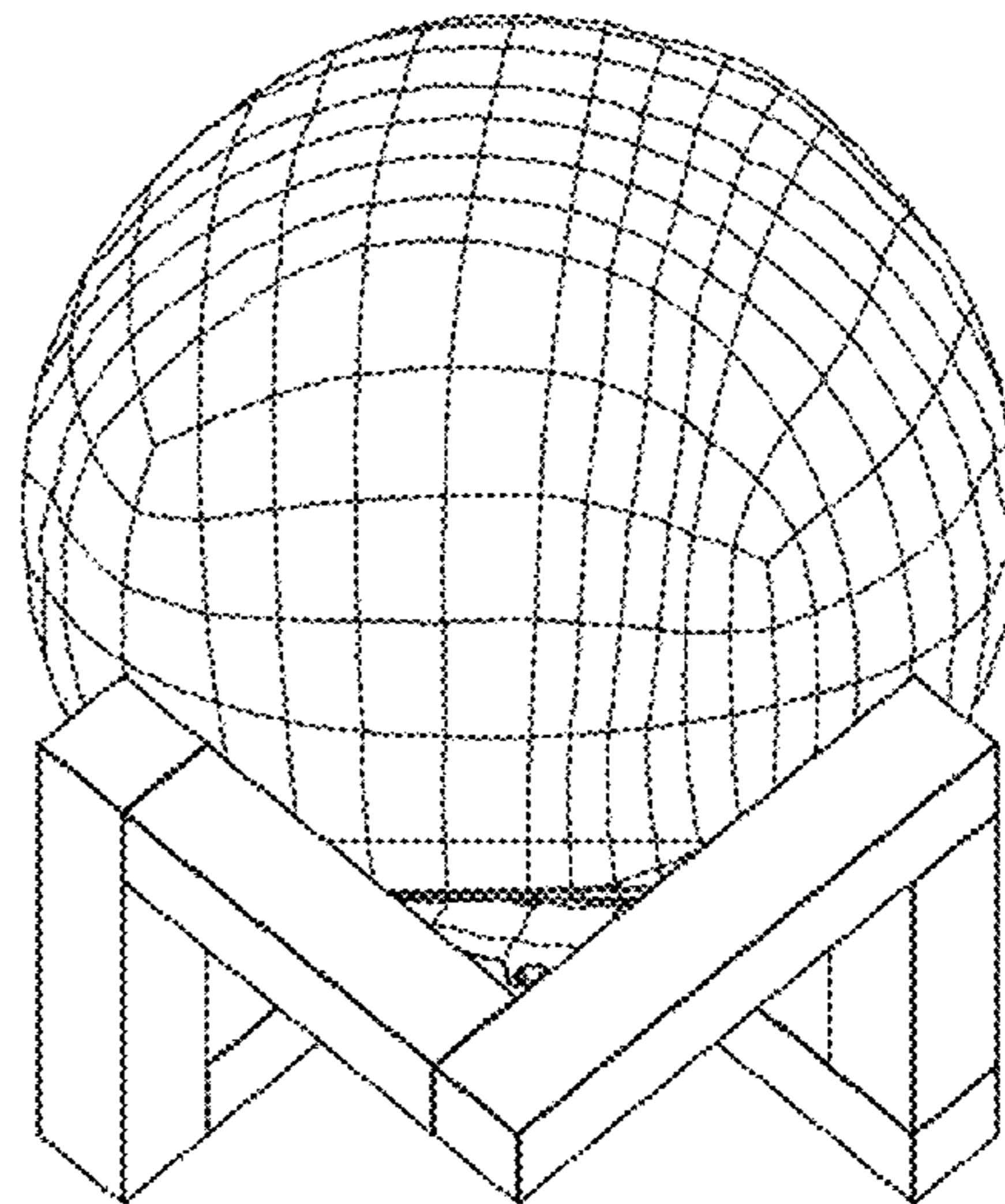
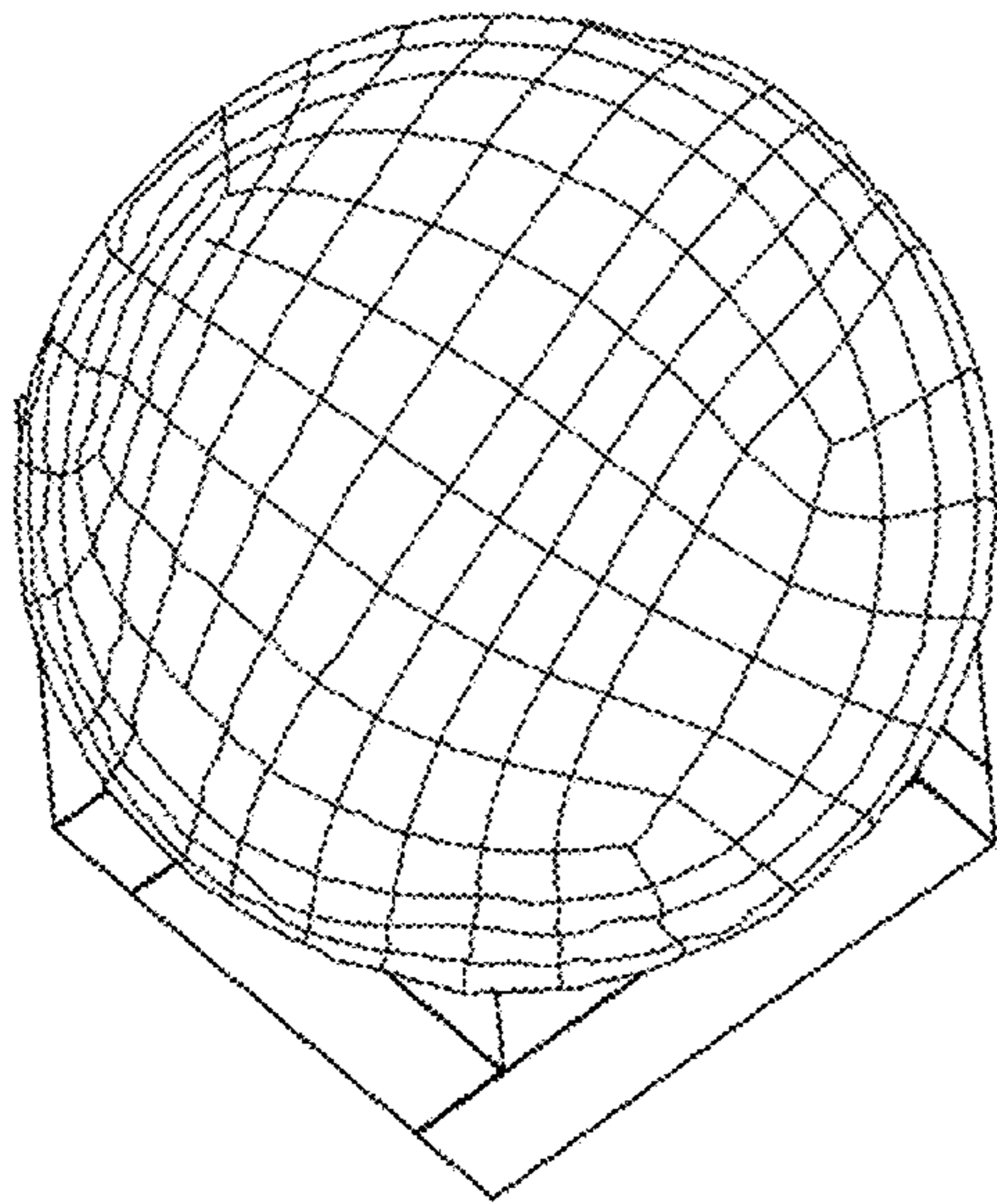
(57) **CLAIM**

The ornamental design for a moon lamp, as shown and described.

DESCRIPTION

FIG. 1 is perspective view of a moon lamp;
FIG. 2 is a front view thereof;
FIG. 3 is a back view thereof;
FIG. 4 is a left side view thereof;
FIG. 5 is a right side View thereof;
FIG. 6 is a top plan view thereof; and,
FIG. 7 is a bottom plan view thereof.

1 Claim, 7 Drawing Sheets



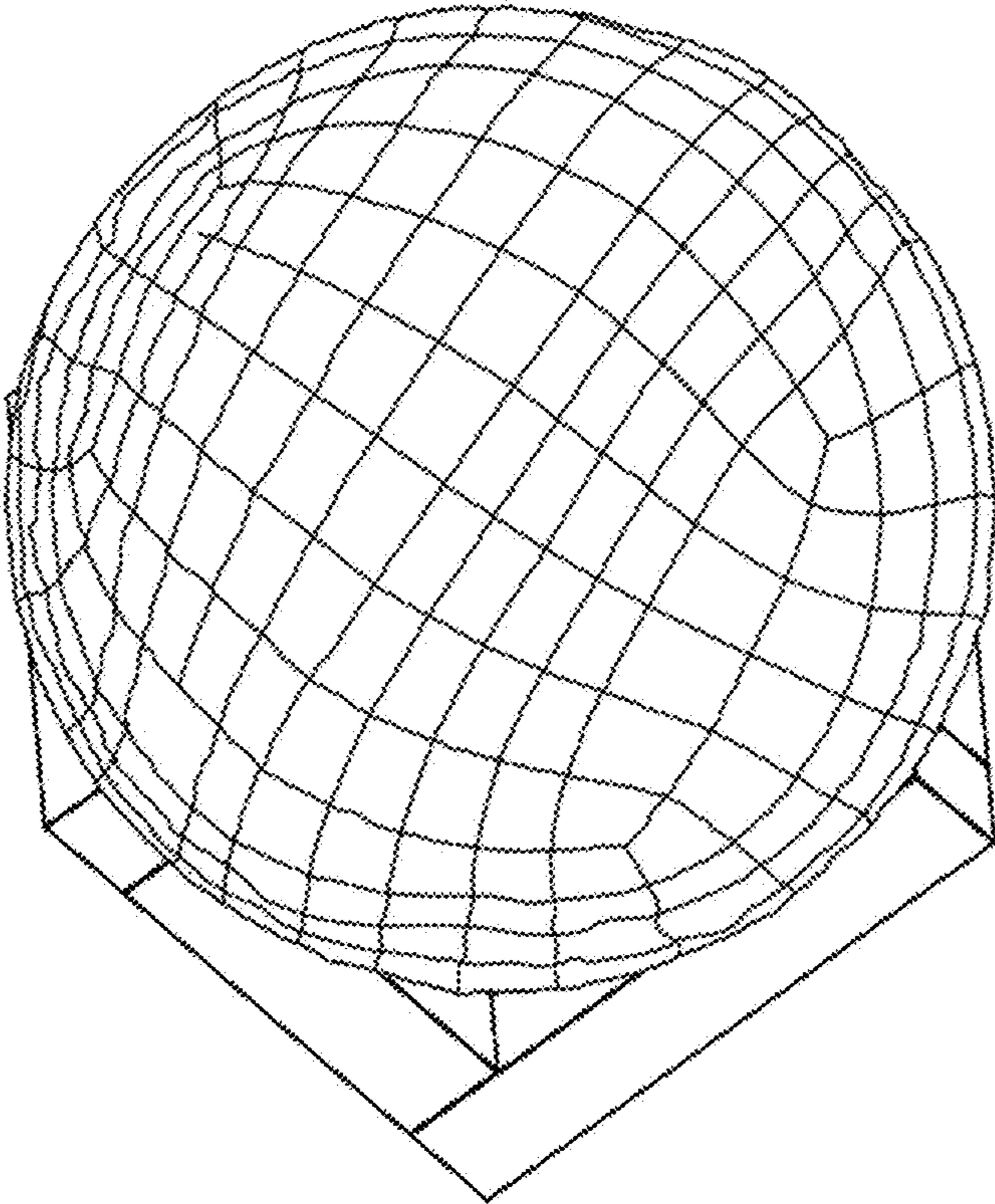


FIG. 1

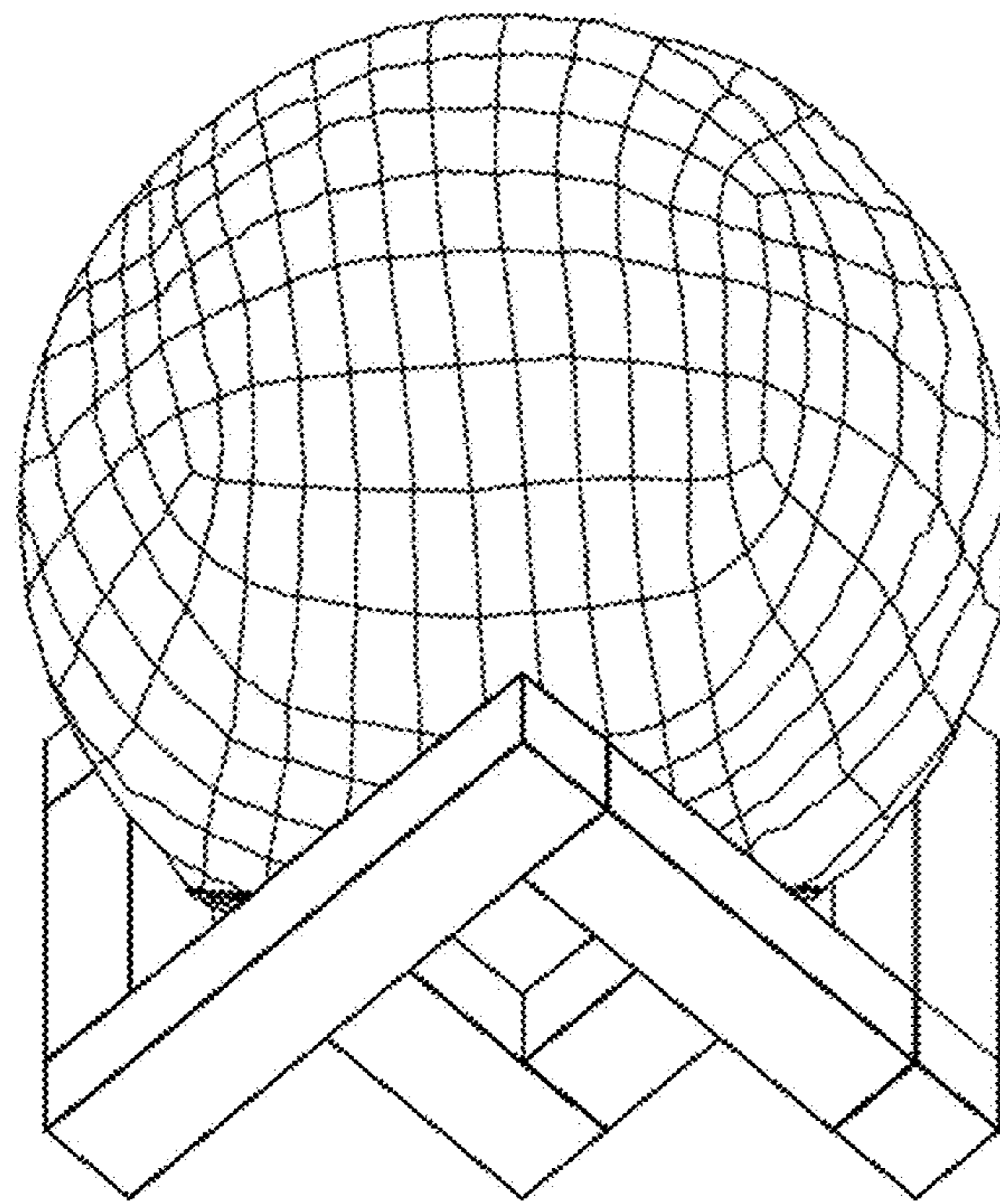


FIG.2

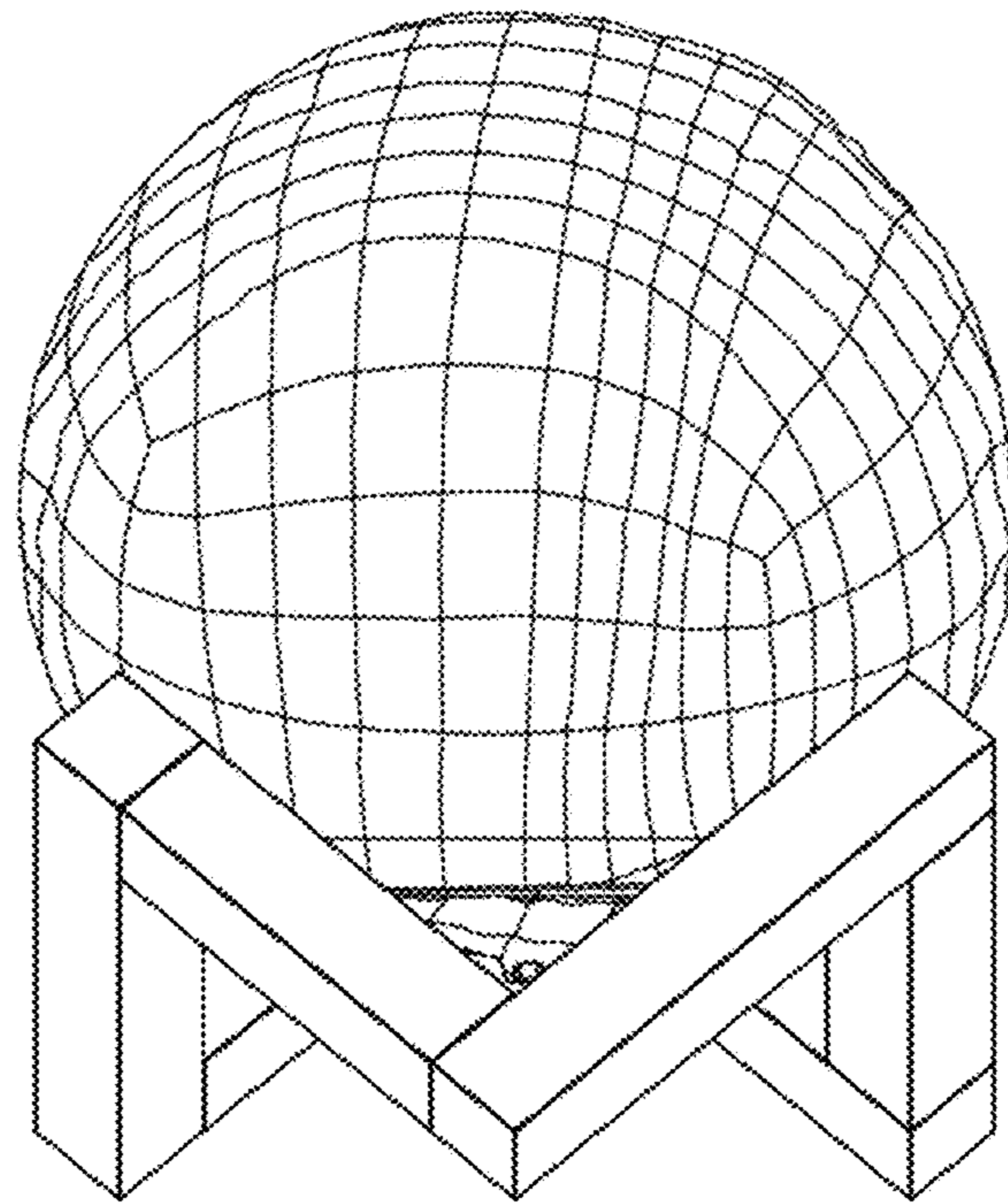


FIG.3

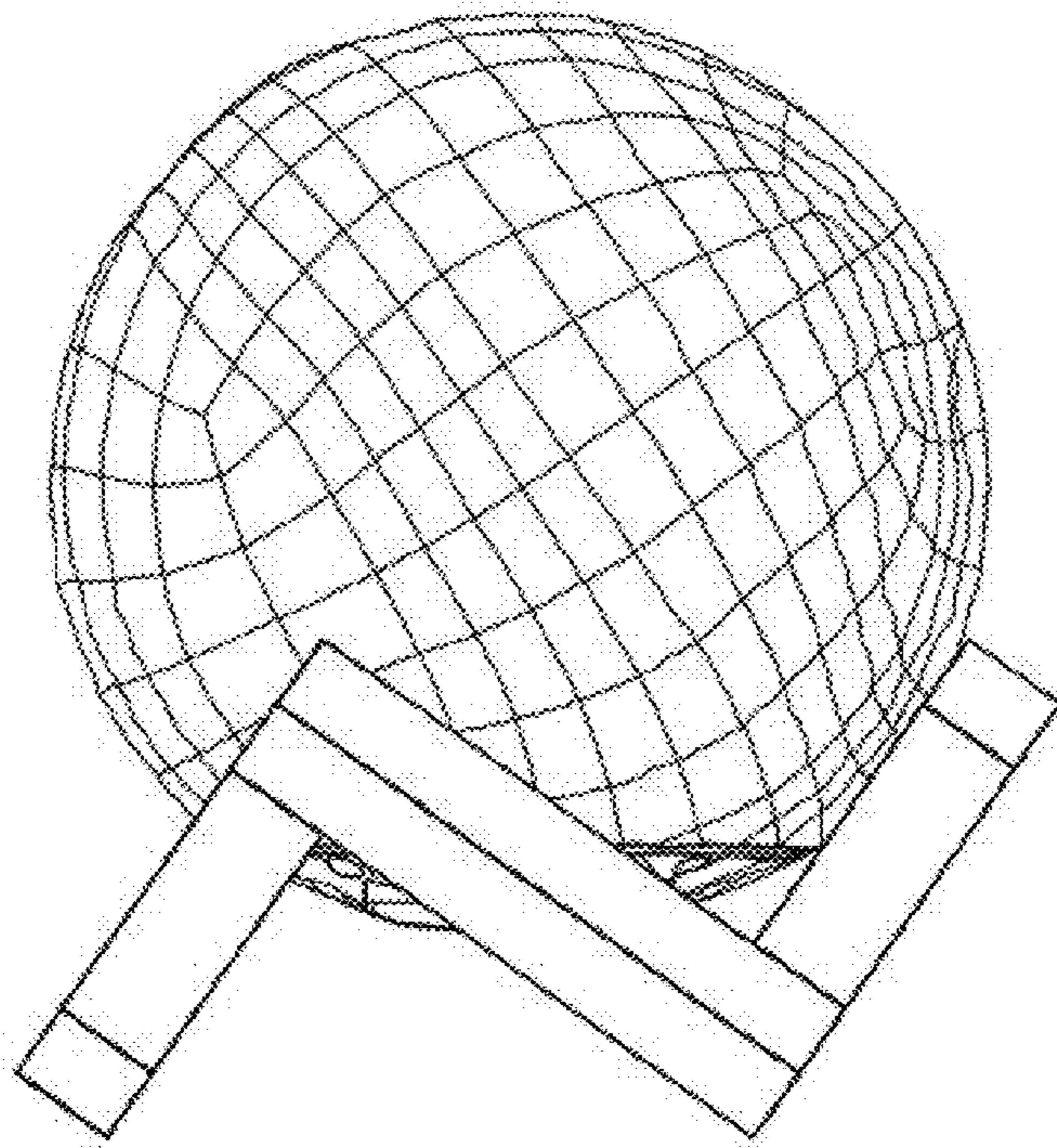


FIG.4

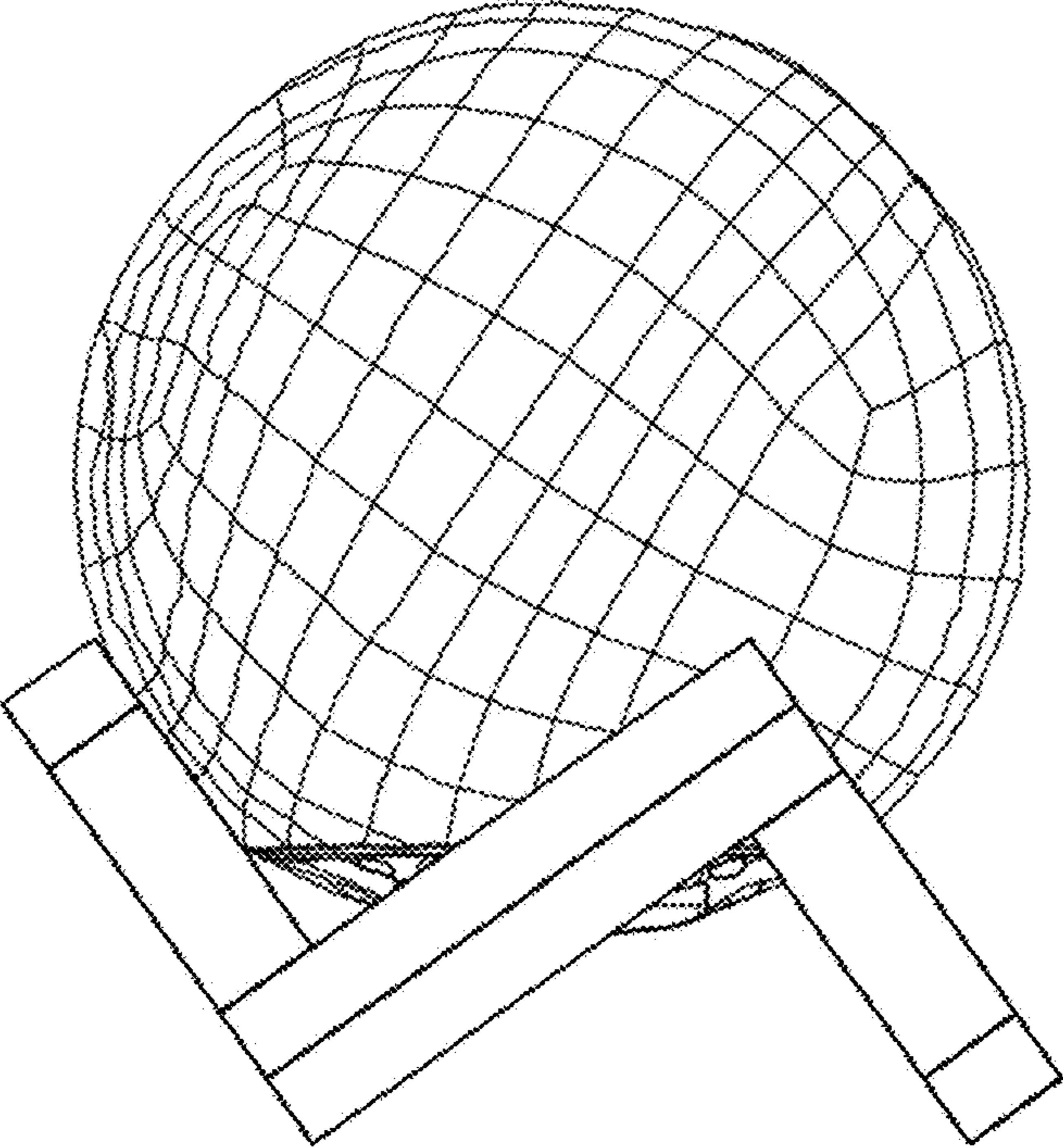


FIG.5

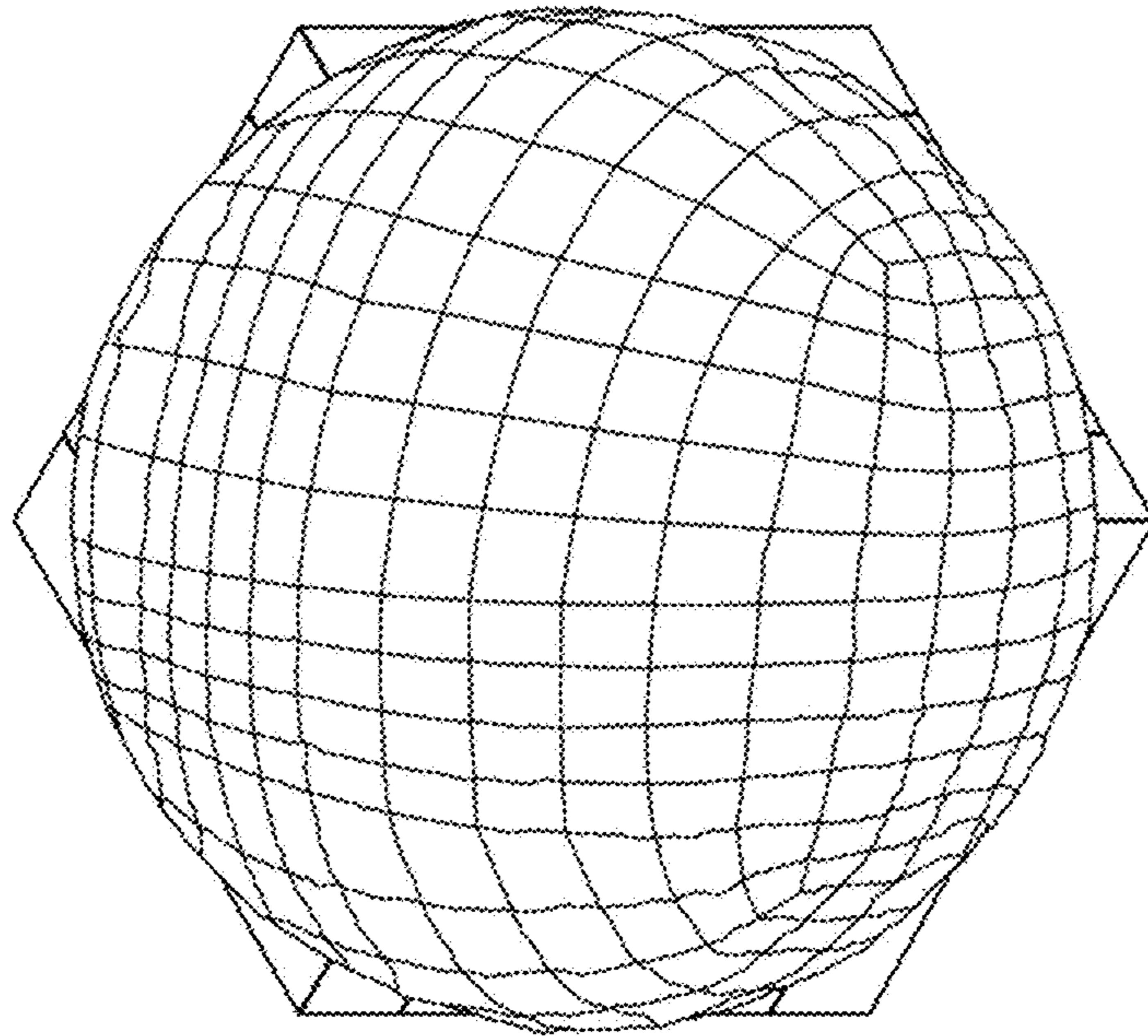


FIG.6

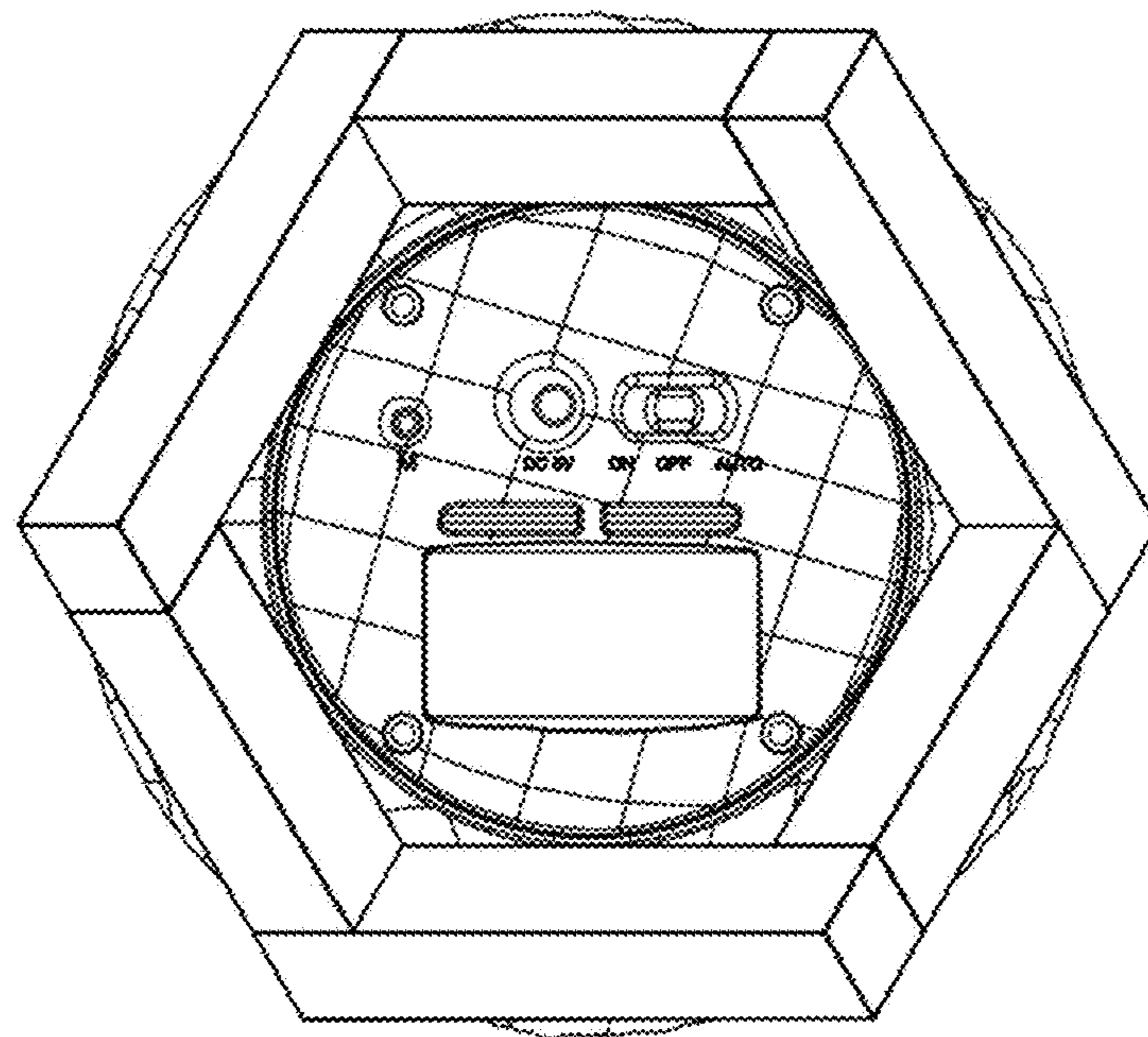


FIG.7



US00D849314C1

(12) **EX PARTE REEXAMINATION CERTIFICATE** (11964th)
United States Patent
Pan

(10) **Number:** **US D849,314 C1**
(45) **Certificate Issued:** **Dec. 15, 2021**

(54) **MOON LAMP**

(71) Applicant: **Dongguan Qiangneng Electronics Co., Ltd.**, Dongguan (CN)

(72) Inventor: **Nengqiang Pan**, Dongguan (CN)

Reexamination Request:

No. 90/014,610, Nov. 16, 2020

Reexamination Certificate for:

Patent No.: **Des. 849,314**
Issued: **May 21, 2019**
Appl. No.: **29/632,563**
Filed: **Jan. 8, 2018**

(51) **LOC (13) Cl.** **26-03**

(52) **U.S. Cl.**
USPC **D26/106**

(58) **Field of Classification Search**

USPC D26/24, 93, 95, 104, 106, 110; D21/398;
D19/61

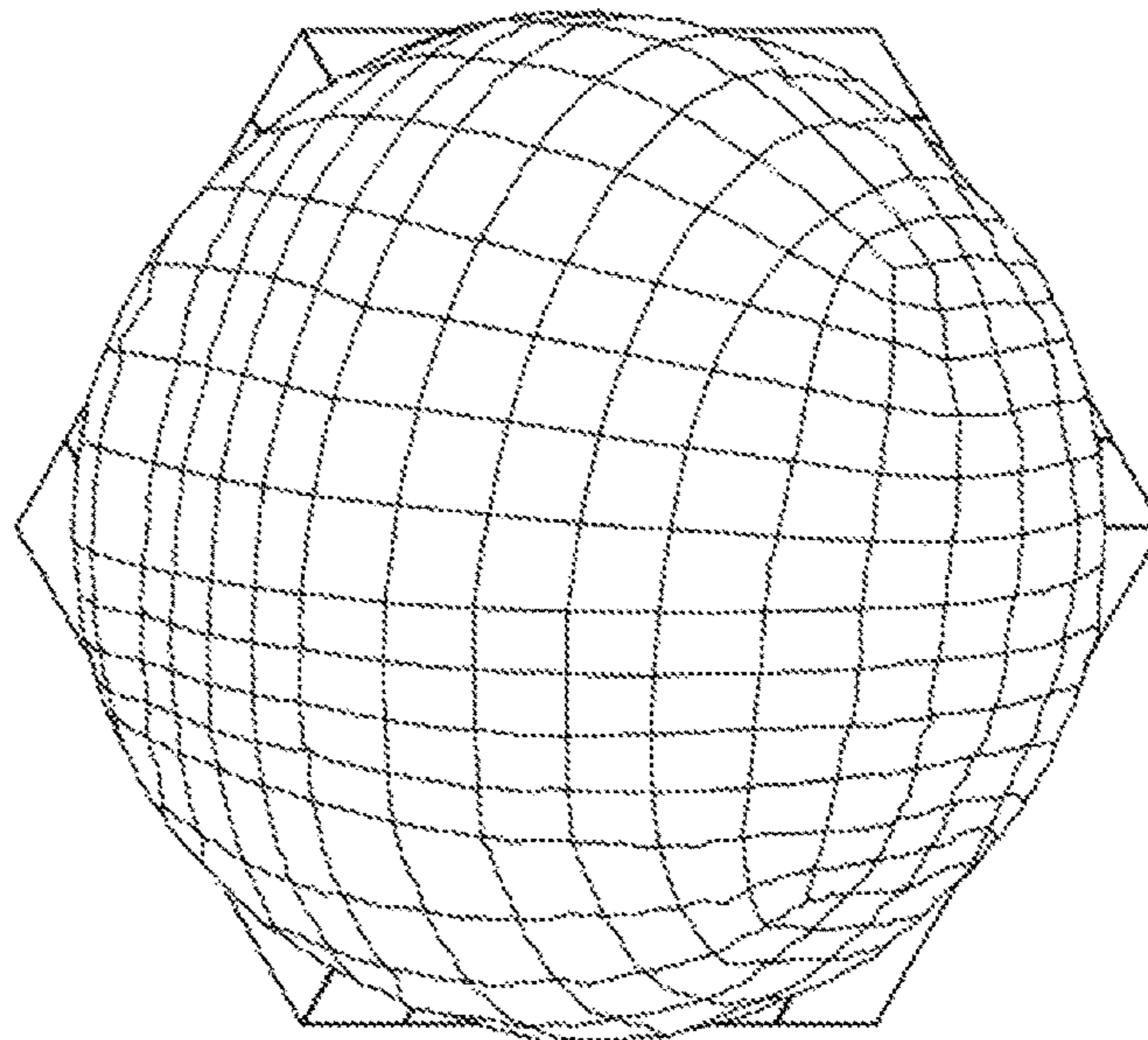
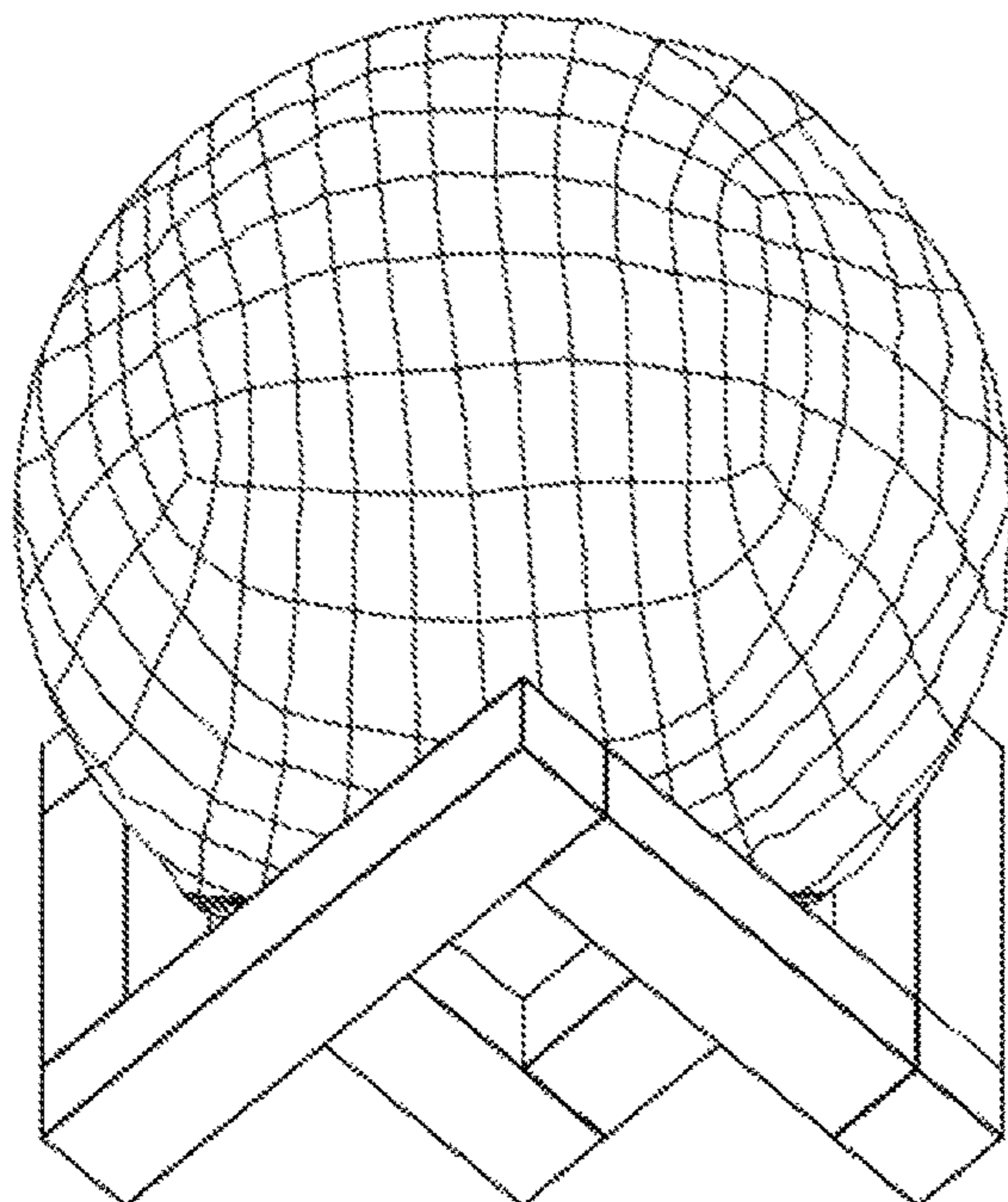
CPC F21S 6/00; F21S 6/002; F21S 6/004; F21S
6/008; F21S 10/00; G09B 27/08; B29L
2022/002

See application file for complete search history.

(56) **References Cited**

To view the complete listing of prior art documents cited during the proceeding for Reexamination Control Number 90/014,610, please refer to the USPTO's public Patent Application Information Retrieval (PAIR) system under the Display References tab.

Primary Examiner — Philip S Hyder



1
EX PARTE
REEXAMINATION CERTIFICATE

THE PATENT IS HEREBY AMENDED AS 5
INDICATED BELOW.

AS A RESULT OF REEXAMINATION, IT HAS BEEN
DETERMINED THAT:

The claim 1 is cancelled. 10

* * * * *