



US00D849306S

(12) **United States Design Patent** (10) **Patent No.:** **US D849,306 S**
Hendifar et al. (45) **Date of Patent:** **** May 21, 2019**

(54) **LIGHT FIXTURE**
(71) Applicant: **APPARATUS, LLC**, New York, NY
(US)

D810,987 S * 2/2018 Pan D26/88
D822,258 S * 7/2018 Hendifar D26/85
D839,467 S * 1/2019 Hendifar D26/87

(72) Inventors: **Gabriel Hendifar**, Rhinebeck, NY
(US); **Jeremy R. Anderson**, New York,
NY (US)

(73) Assignee: **APPARATUS LLC**, New York, NY
(US)

(**) Term: **15 Years**

(21) Appl. No.: **29/639,007**

(22) Filed: **Mar. 2, 2018**

(51) **LOC (11) Cl.** **26-03**

(52) **U.S. Cl.**
USPC **D26/88**

(58) **Field of Classification Search**
USPC D26/81-91
CPC F21S 8/04; F21S 8/043; F21S 8/046; F21S
8/06; F21S 8/061; F21S 8/063; F21S
8/065; F21S 8/068
See application file for complete search history.

(56) **References Cited**

U.S. PATENT DOCUMENTS

D40,218 S * 8/1909 Pitner D26/81
D80,313 S * 1/1930 Hoch D26/80
D228,146 S * 8/1973 Schwartz D26/82
D400,285 S * 10/1998 Littman D26/87
D402,387 S * 12/1998 Stewart D26/81
D415,302 S * 10/1999 Porter D26/81
D604,886 S * 11/2009 Rugee D26/81
D711,578 S * 8/2014 Naddeo D26/81
D804,699 S * 12/2017 Hendifar D26/87

OTHER PUBLICATIONS

Talisman® 1 Sconce by Apparatus, LLC. PDF Brochure © 2018.
(Year: 2018).*
Wood Bead Handmade Pendant Light, Listing No. 155961387 from
LightCookie at etsy.com. As early as Jul. 21, 2017. (Year: 2017).*
John Lewis Lugano Stacked Pebble Pendant Ceiling Light fitting,
ebay item No. 292602551974. Last updated on Oct. 11, 2018. (Year:
2018).*
Beaded Pendant Lamp/ Spheres, from Pigeon Toe Ceramics. Found
at cdn.shopify.com, visited Feb. 22, 2019. (Year: 2019).*

* cited by examiner

Primary Examiner — Clare E Heflin

(74) *Attorney, Agent, or Firm* — Gottlieb, Rackman &
Reisman, P.C.

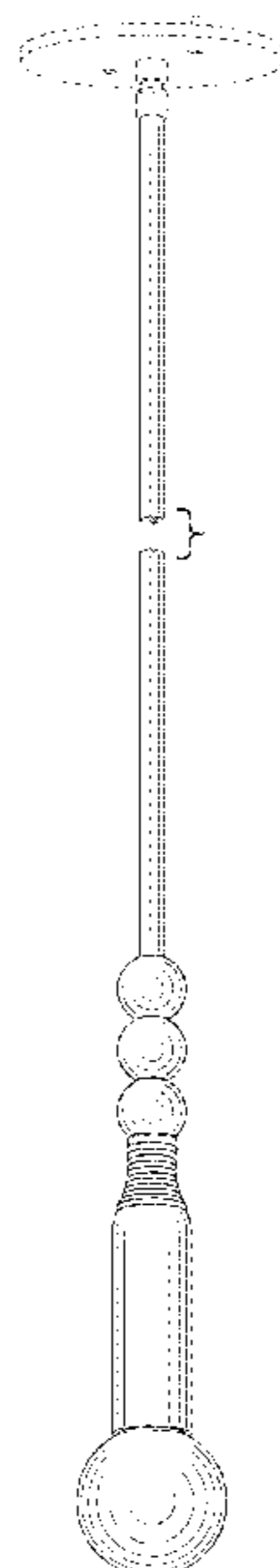
(57) **CLAIM**

The ornamental design for a light fixture, as shown and
described.

DESCRIPTION

FIG. 1 is a perspective view showing our new design;
FIG. 2 is a front elevational view thereof, the rear elevational
view being identical;
FIG. 3 is a side elevational view thereof;
FIG. 4 is top plan view thereof; and,
FIG. 5 is a bottom plan view thereof.
The break lines in FIGS. 1-5 are to indicate that the
appearance of any portion of the light fixture between the
break lines forms no part of the claimed design.
The broken lines shown in the drawings are included for the
purpose of illustrating portions of the light fixture that form
no part of the claimed design.

1 Claim, 4 Drawing Sheets



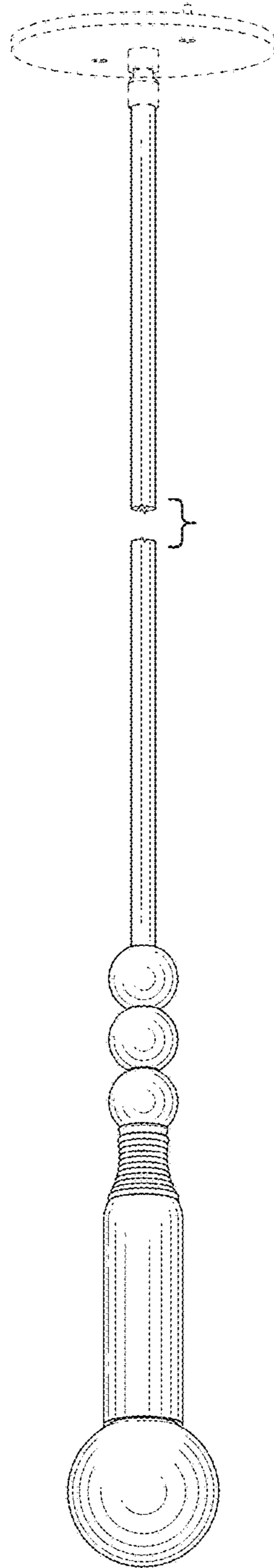


FIG. 1

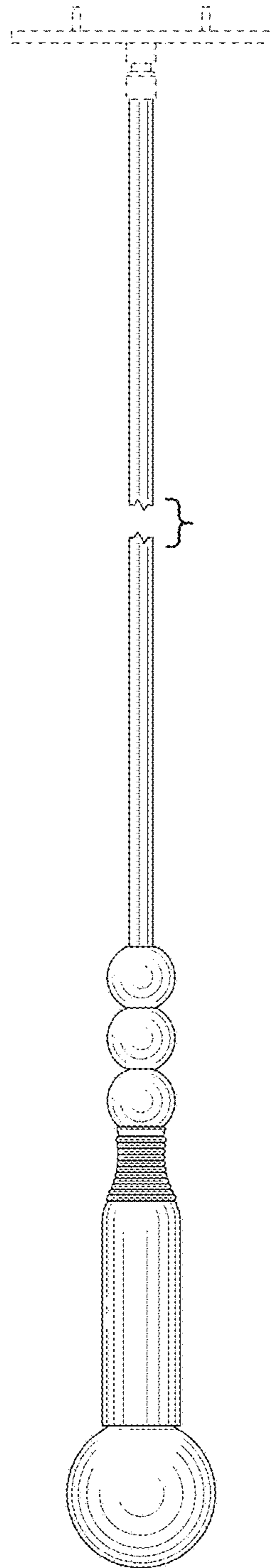


FIG. 2

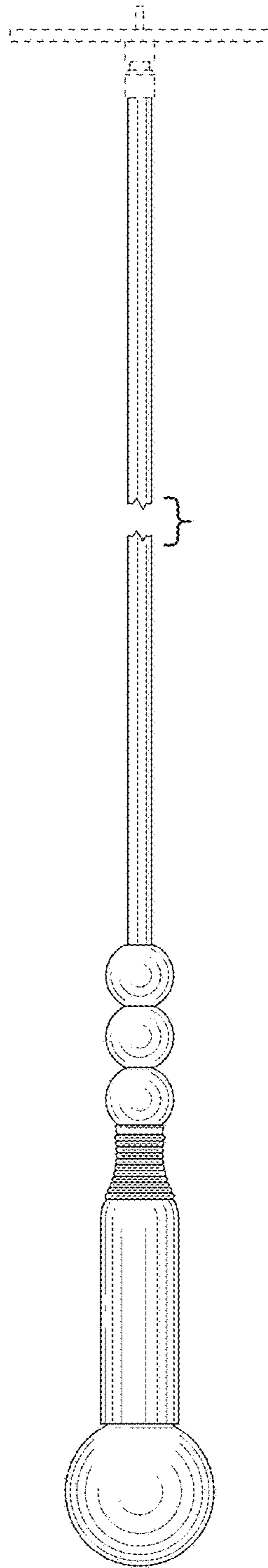


FIG. 3

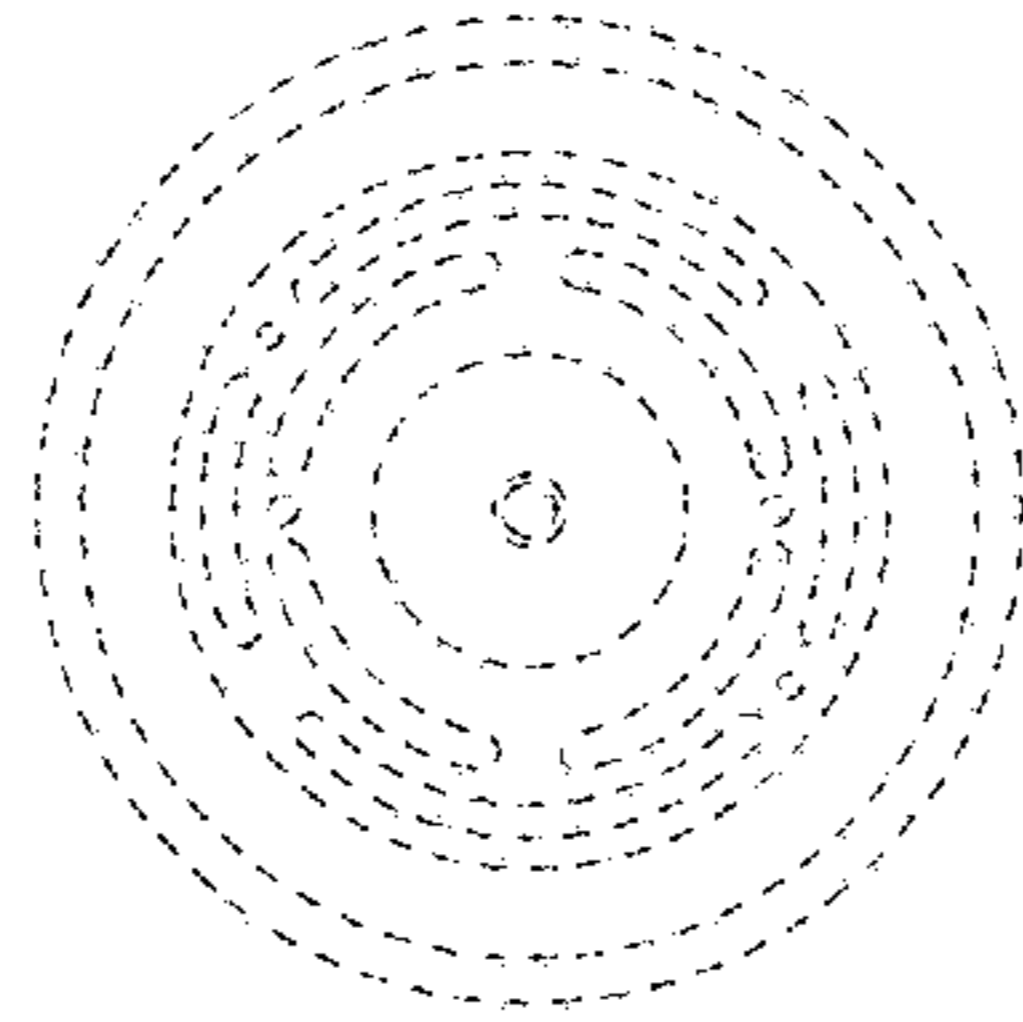


FIG. 4

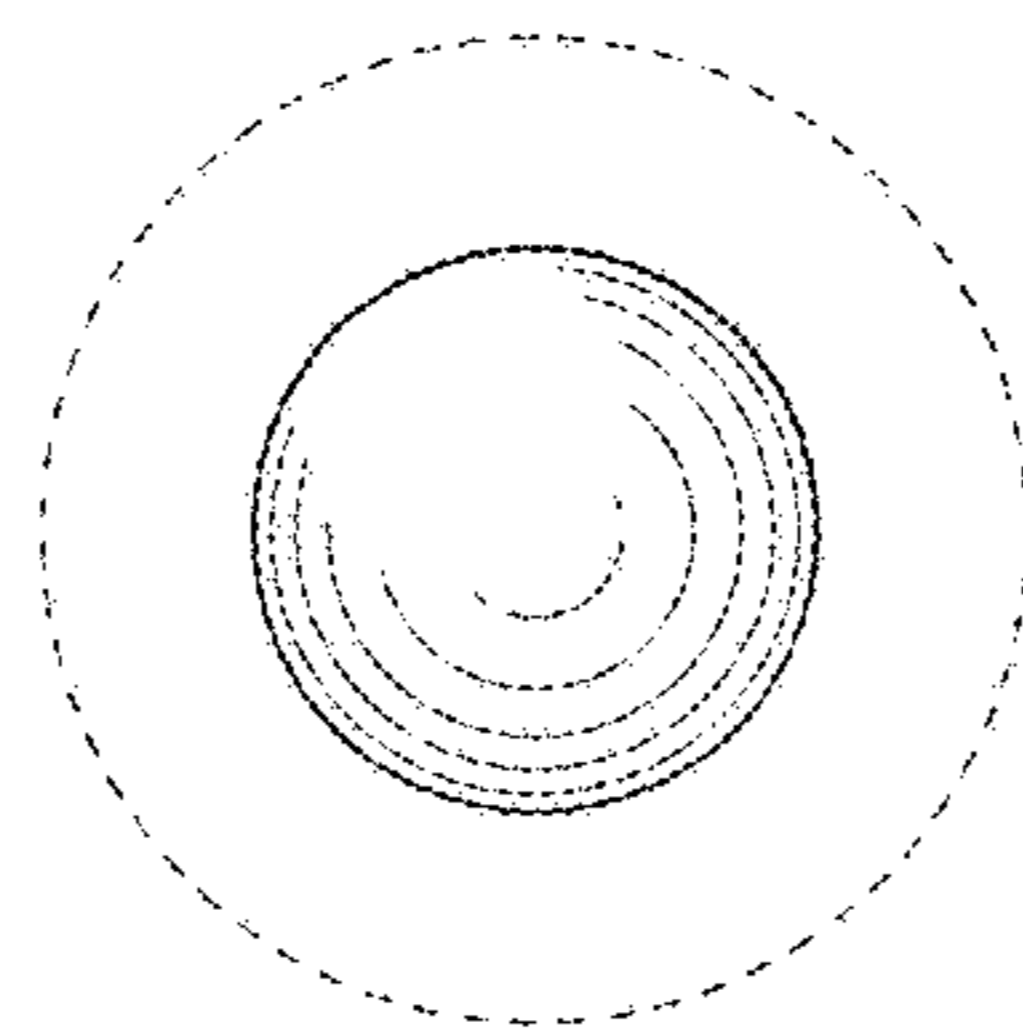


FIG. 5