



US00D849303S

(12) **United States Design Patent**
Hendifar et al.

(10) **Patent No.:** **US D849,303 S**

(45) **Date of Patent:** **** May 21, 2019**

(54) **LIGHT FIXTURE**

(71) Applicant: **APPARATUS, LLC**, New York, NY
(US)

(72) Inventors: **Gabriel Hendifar**, Rhinebeck, NY
(US); **Jeremy R. Anderson**, New York,
NY (US)

(73) Assignee: **APPARATUS LLC**, New York, NY
(US)

(**) Term: **15 Years**

(21) Appl. No.: **29/639,727**

(22) Filed: **Mar. 8, 2018**

(51) **LOC (11) Cl.** **26-03**

(52) **U.S. Cl.**
USPC **D26/83; D26/86**

(58) **Field of Classification Search**
USPC D26/81-91
CPC F21S 8/04; F21S 8/043; F21S 8/046; F21S
8/06; F21S 8/061; F21S 8/063; F21S
8/065; F21S 8/068
See application file for complete search history.

(56) **References Cited**

U.S. PATENT DOCUMENTS

D87,964 S	*	10/1932	Howell	D26/88
D212,708 S	*	11/1968	Mayer et al.	D26/86
D228,146 S	*	8/1973	Schwartz	D26/82
D303,435 S	*	9/1989	Mason	D26/86
D303,437 S	*	9/1989	Mason	D26/86
D331,638 S	*	12/1992	Vamberszky	D26/118
D339,650 S	*	9/1993	Vieyra	D26/84
D339,651 S	*	9/1993	Vieyra	D26/84
D492,440 S	*	6/2004	Parres	D26/85
D604,003 S	*	11/2009	Sabernig	D26/83
D644,778 S	*	9/2011	Lovegrove	D26/83
D655,846 S	*	3/2012	Sabernig	D26/83
D655,855 S	*	3/2012	Sabernig	D26/89

D662,644 S	*	6/2012	Wauters	D26/83
D669,205 S	*	10/2012	Sonneman	D26/83
D684,292 S	*	6/2013	Sonneman	D26/83
D702,869 S	*	4/2014	Kondou	D26/88
D814,683 S	*	4/2018	Huyghe	D26/86
D839,466 S	*	1/2019	Hendifar	F21V 21/104 D26/85

D840,088 S	*	2/2019	Hendifar	F21V 5/04 D26/85
------------	---	--------	----------	-------	---------------------

2016/0131331	A1*	5/2016	Parker	G02B 6/0001 362/311.02
--------------	-----	--------	--------	-------	---------------------------

2017/0205059	A1*	7/2017	Yang	F21V 21/104
--------------	-----	--------	------	-------	-------------

(Continued)

OTHER PUBLICATIONS

Apparatus Studio Median® 3 Ceiling Mount light fixture. PDF brochure © 2018. Found at apparatusstudio.com. (Year: 2018).*

(Continued)

Primary Examiner — Clare E Heflin

(74) *Attorney, Agent, or Firm* — Gottlieb, Rackman & Reisman, P.C.

(57) **CLAIM**

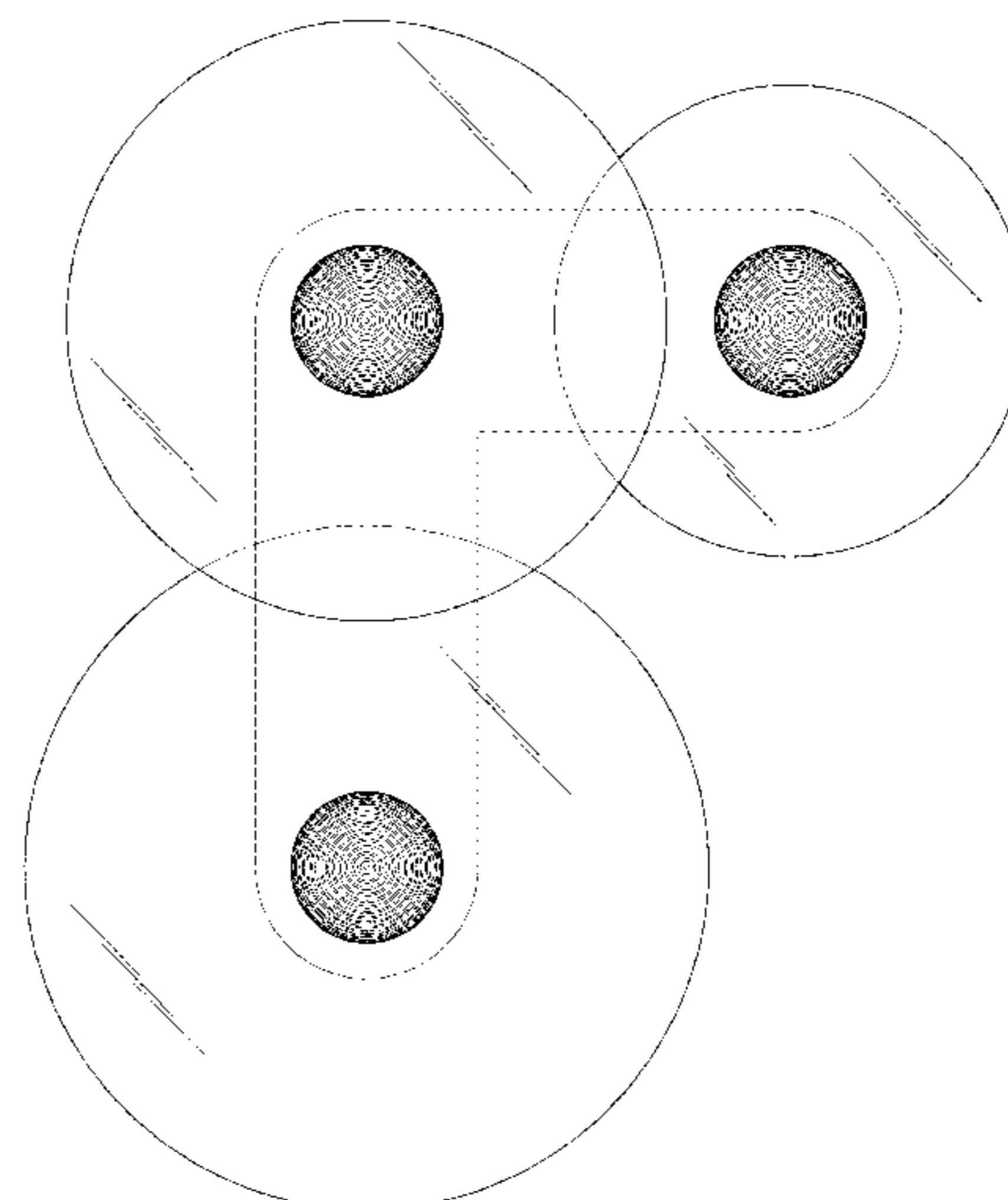
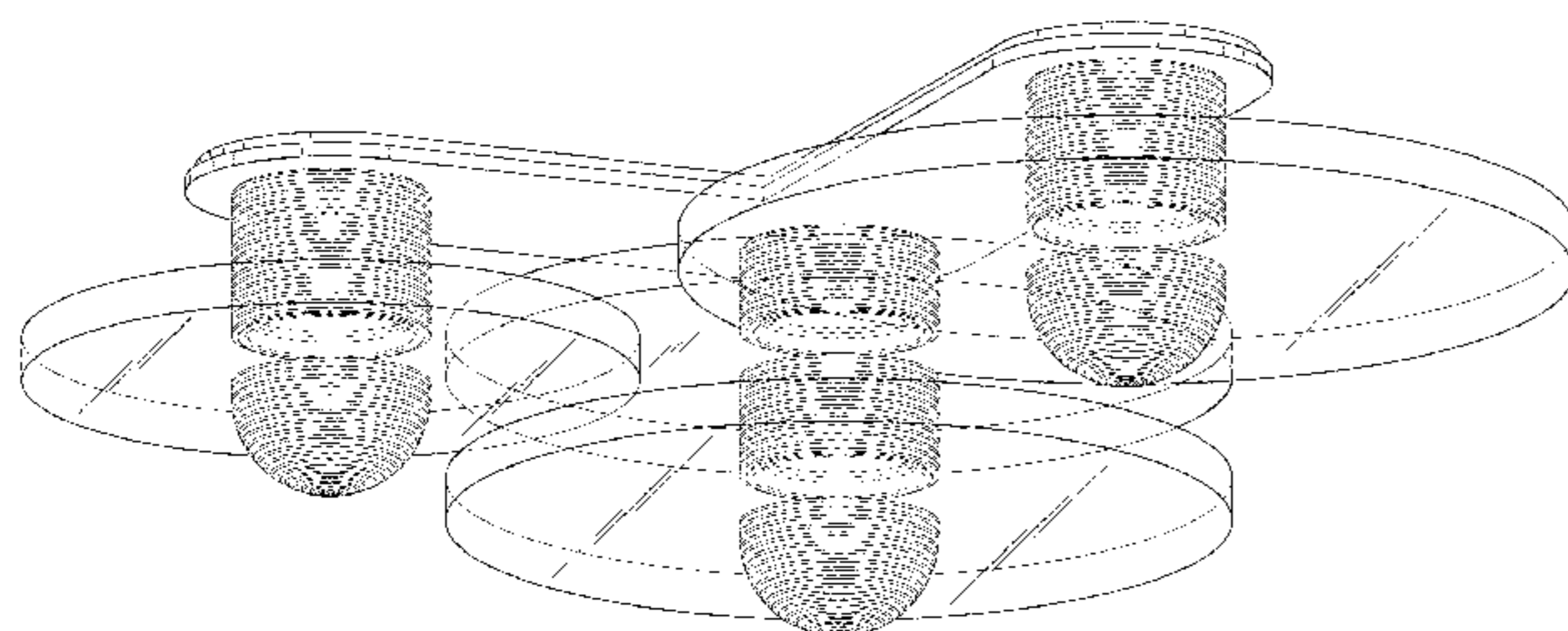
The ornamental design for a light fixture, as shown and described.

DESCRIPTION

FIG. 1 is a perspective view showing our new design; FIG. 2 is a front elevational view thereof; FIG. 3 is a rear elevational view thereof; FIG. 4 is a left side elevational view thereof; FIG. 5 is a right side elevational view thereof; FIG. 6 is a top plan view thereof; and, FIG. 7 is a bottom plan view thereof.

The broken lines shown in the drawings are included for the purpose of illustrating portions of the light fixture that form no part of the claimed design.

1 Claim, 6 Drawing Sheets



(56)

References Cited

U.S. PATENT DOCUMENTS

2018/0195683 A1* 7/2018 Sonneman F21V 5/04

OTHER PUBLICATIONS

Reese Flushmount Ceiling Light, Style No. 8F746. At lampsplus.com as early as Aug. 17, 2017. (Year: 2017).*

Possini Euro Design Three Stacked Rods Ceiling Light Fixture—Style No. U6240. At lampsplus.com as early as Jun. 1, 2014. (Year: 2014).*

ET2 Lighting Timbale Polished Chrome LED Ceiling Light—Style No. 8R411. At lampsplus.com as early as Jun. 23, 2017. (Year: 2017).*

* cited by examiner

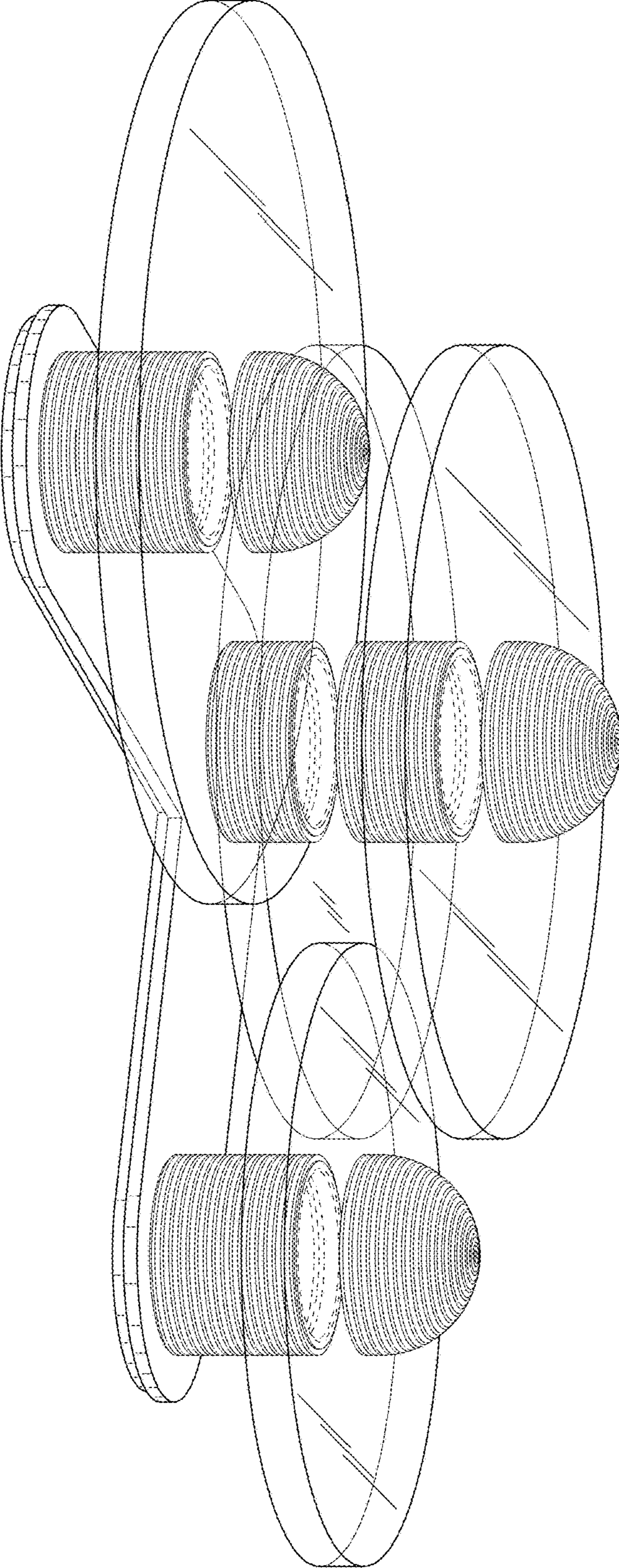


FIG. 1

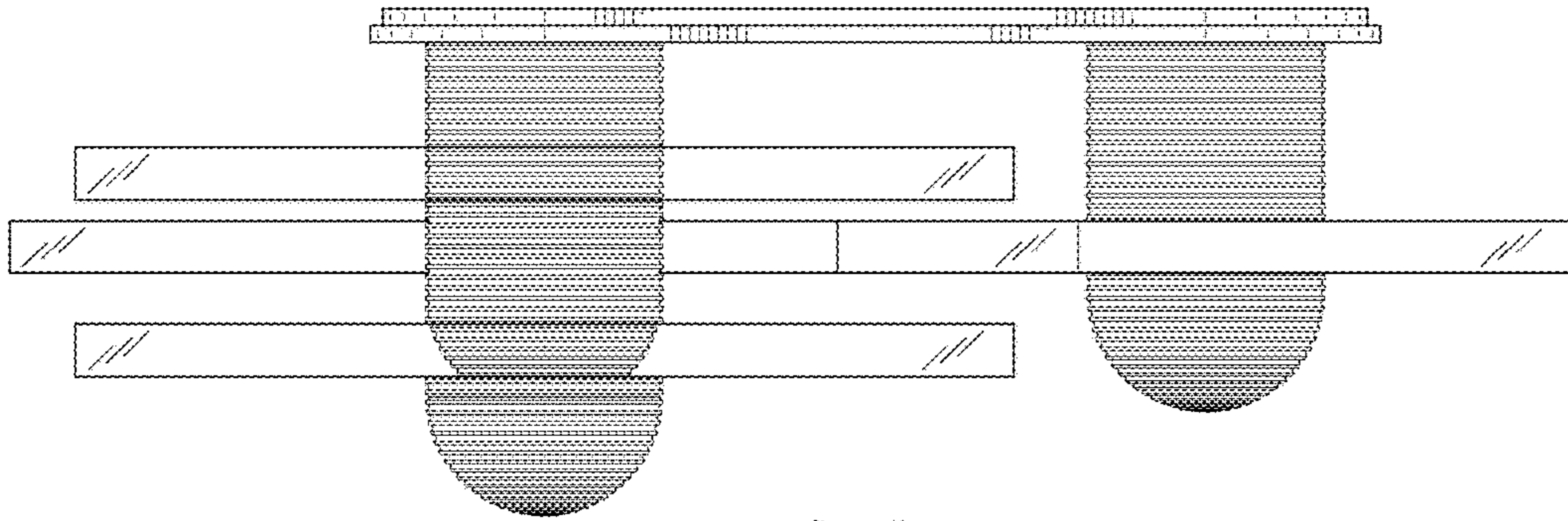


FIG. 2

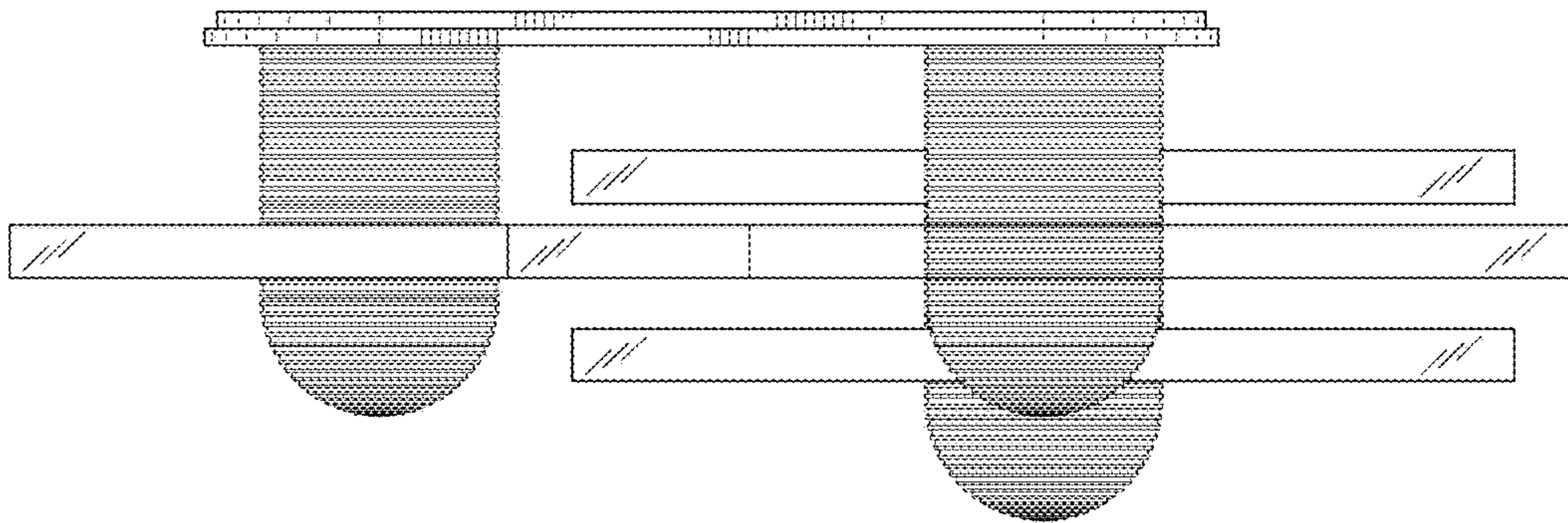


FIG. 3

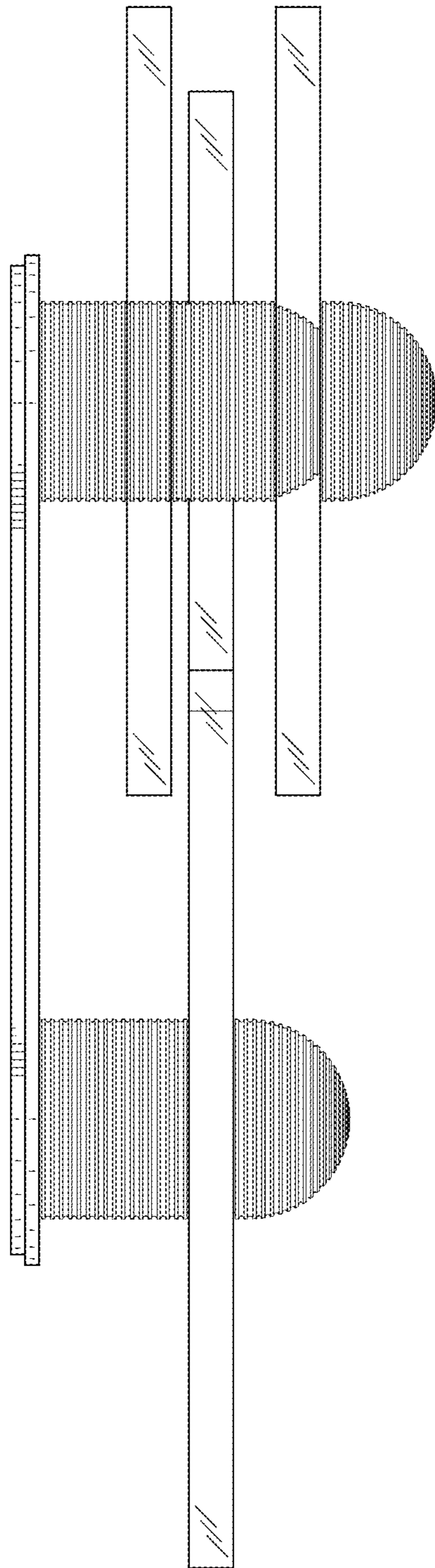


FIG. 4

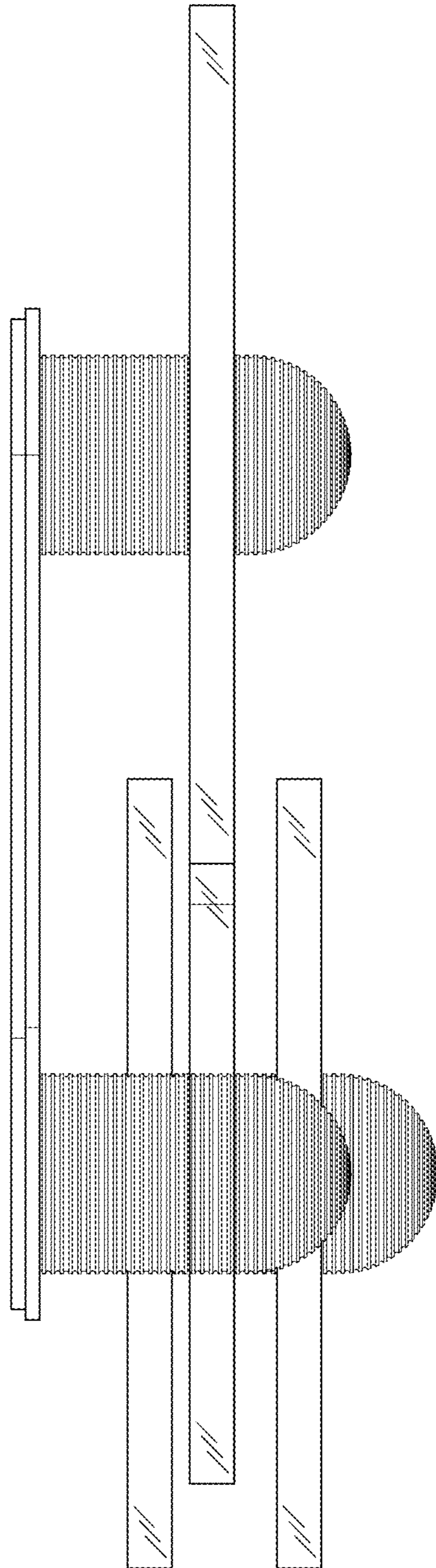


FIG. 5

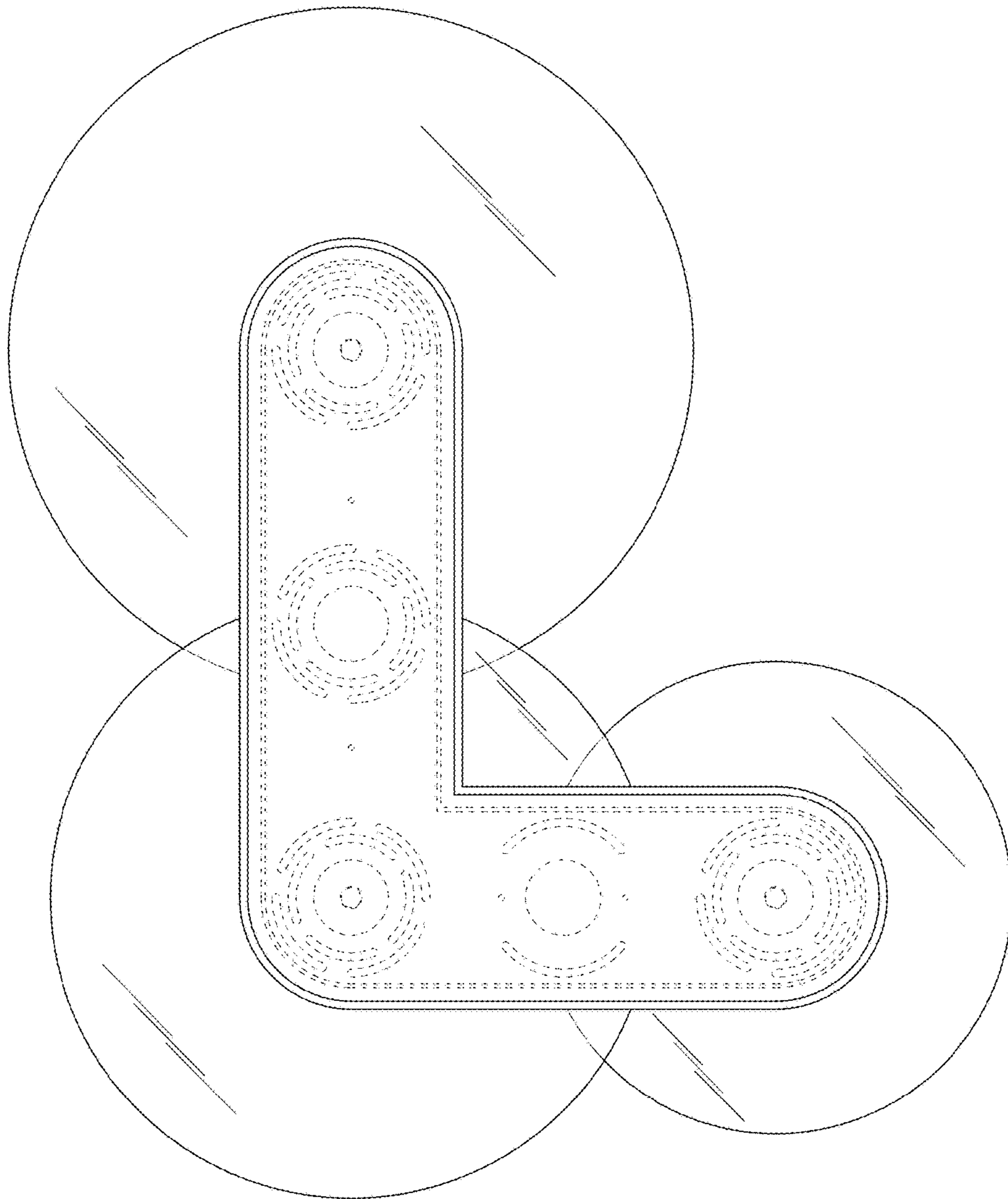


FIG.6

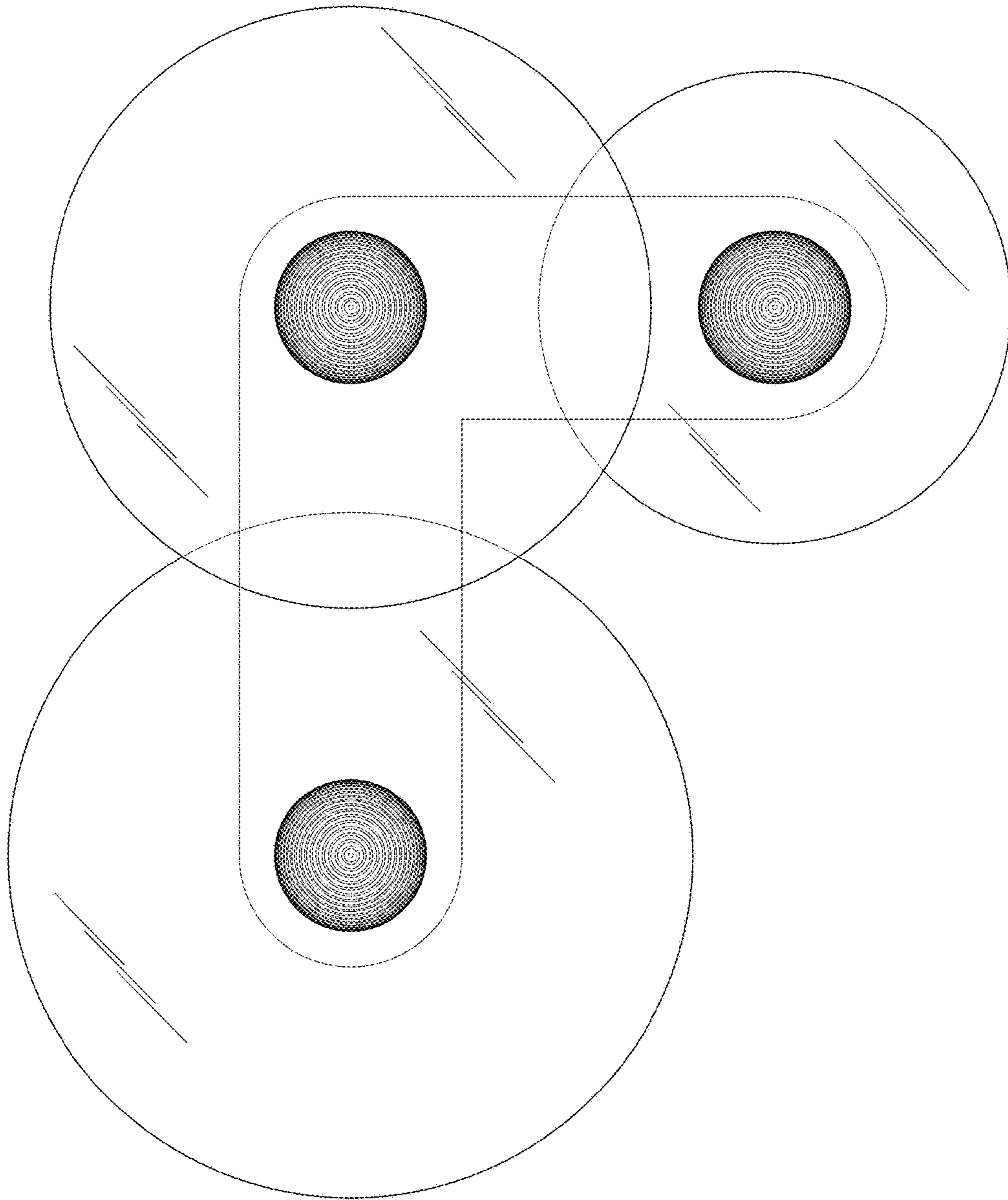


FIG. 7