

US00D849302S

(12) **United States Design Patent** (10) **Patent No.:** **US D849,302 S**  
**Sonneman** (45) **Date of Patent:** **\*\* May 21, 2019**

(54) **LIGHT FIXTURE**  
(71) Applicant: **Contemporary Visions, LLC**,  
Larchmont, NY (US)  
(72) Inventor: **Robert A. Sonneman**, Mamaroneck,  
NY (US)  
(73) Assignee: **CONTEMPORARY VISIONS, LLC**,  
Larchmont, NY (US)  
(\*\*) Term: **15 Years**  
(21) Appl. No.: **29/630,456**  
(22) Filed: **Dec. 21, 2017**  
(51) **LOC (11) Cl.** ..... **26-05**  
(52) **U.S. Cl.**  
USPC ..... **D26/74**  
(58) **Field of Classification Search**  
USPC ..... D26/74, 72, 75, 76, 77, 78, 85, 88, 89,  
D26/118, 138, 141; 362/364, 365, 373,  
362/145, 146, 147, 148, 150, 153, 153.1,  
362/294, 296.01, 296.07, 296.08  
See application file for complete search history.

D627,094 S \* 11/2010 Verelst ..... D26/85  
D646,827 S \* 10/2011 Van Gompel ..... D26/74  
D681,864 S \* 5/2013 Guercio ..... D26/85  
D689,238 S \* 9/2013 Halsey ..... D26/118  
D725,819 S \* 3/2015 Reynolds ..... D26/118  
D757,984 S \* 5/2016 Breedlove, Sr. .... D26/67  
D770,661 S \* 11/2016 Huang ..... D26/74  
D795,487 S 8/2017 Sonneman

\* cited by examiner

*Primary Examiner* — Angela J Lee

(74) *Attorney, Agent, or Firm* — Gottlieb, Rackman & Reisman, P.C.

(57) **CLAIM**

The ornamental design for a light fixture, as shown and described.

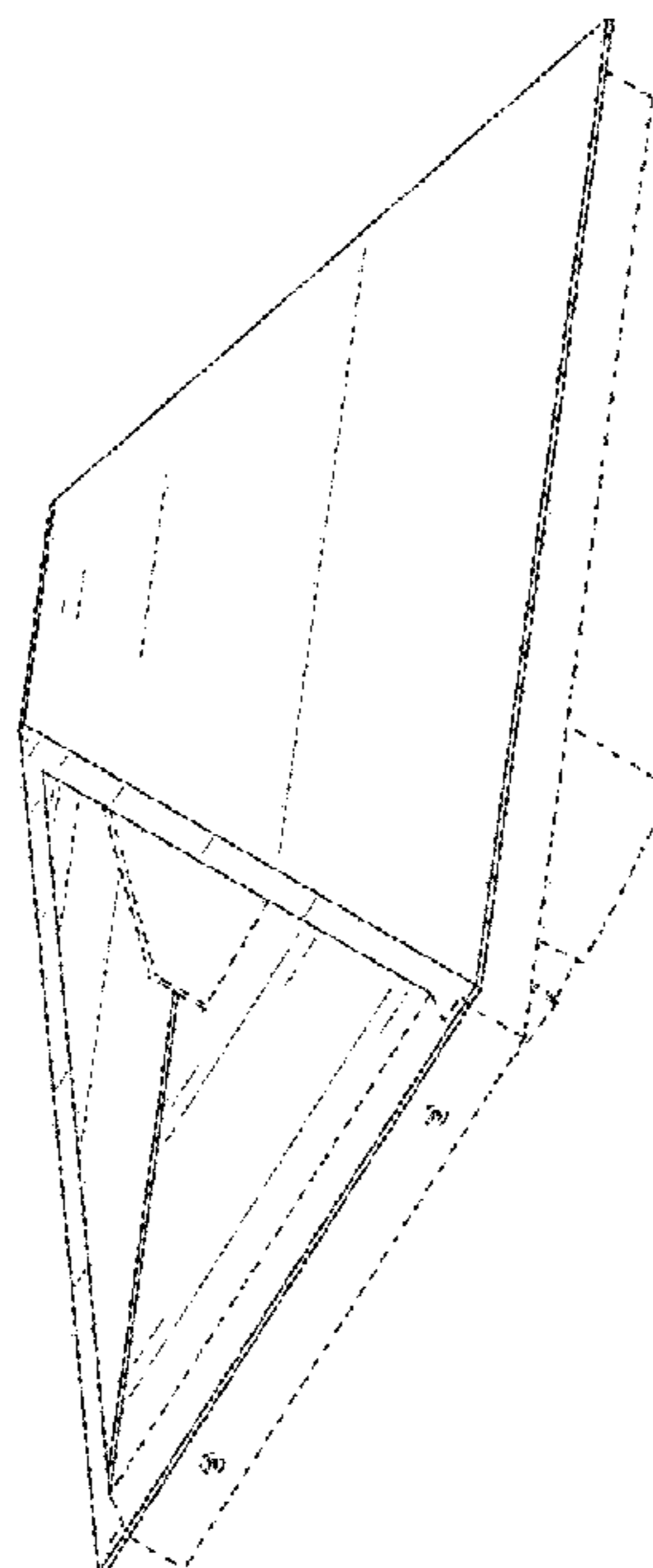
**DESCRIPTION**

FIG. 1 is a first perspective view of a light fixture showing my new design;  
FIG. 2 is a second perspective view thereof;  
FIG. 3 is a third perspective view thereof;  
FIG. 4 is a front elevational view thereof;  
FIG. 5 is a rear elevational view thereof;  
FIG. 6 is a right side elevational view thereof;  
FIG. 7 is a left side elevational view thereof;  
FIG. 8 is a top plan view thereof;  
FIG. 9 is a bottom plan view thereof; and,  
FIG. 10 is a cross-sectional view of FIG. 8.

The broken lines shown in the drawings are included for the purpose of illustrating portions of the light fixture that form no part of the claimed design.

**1 Claim, 10 Drawing Sheets**

(56) **References Cited**  
U.S. PATENT DOCUMENTS  
D248,184 S \* 6/1978 Roberts ..... D26/85  
D364,479 S \* 11/1995 Gilbert ..... D26/75  
D373,132 S \* 8/1996 Baillie-Hamilton ..... D16/237  
D394,518 S \* 5/1998 Burrow ..... 26/76  
D591,440 S \* 4/2009 Maxik ..... D26/72  
D626,270 S \* 10/2010 Waldmann ..... D26/85



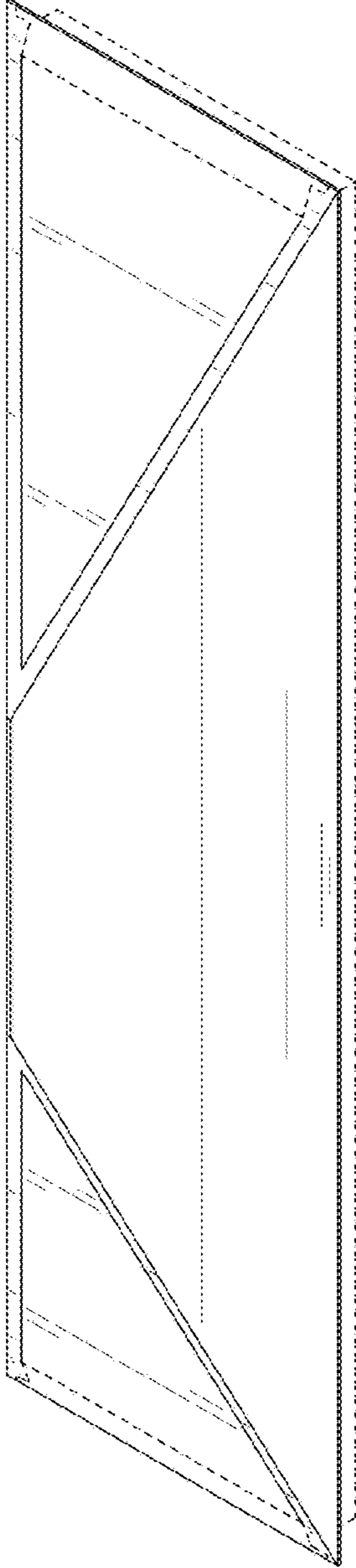


FIG. 1

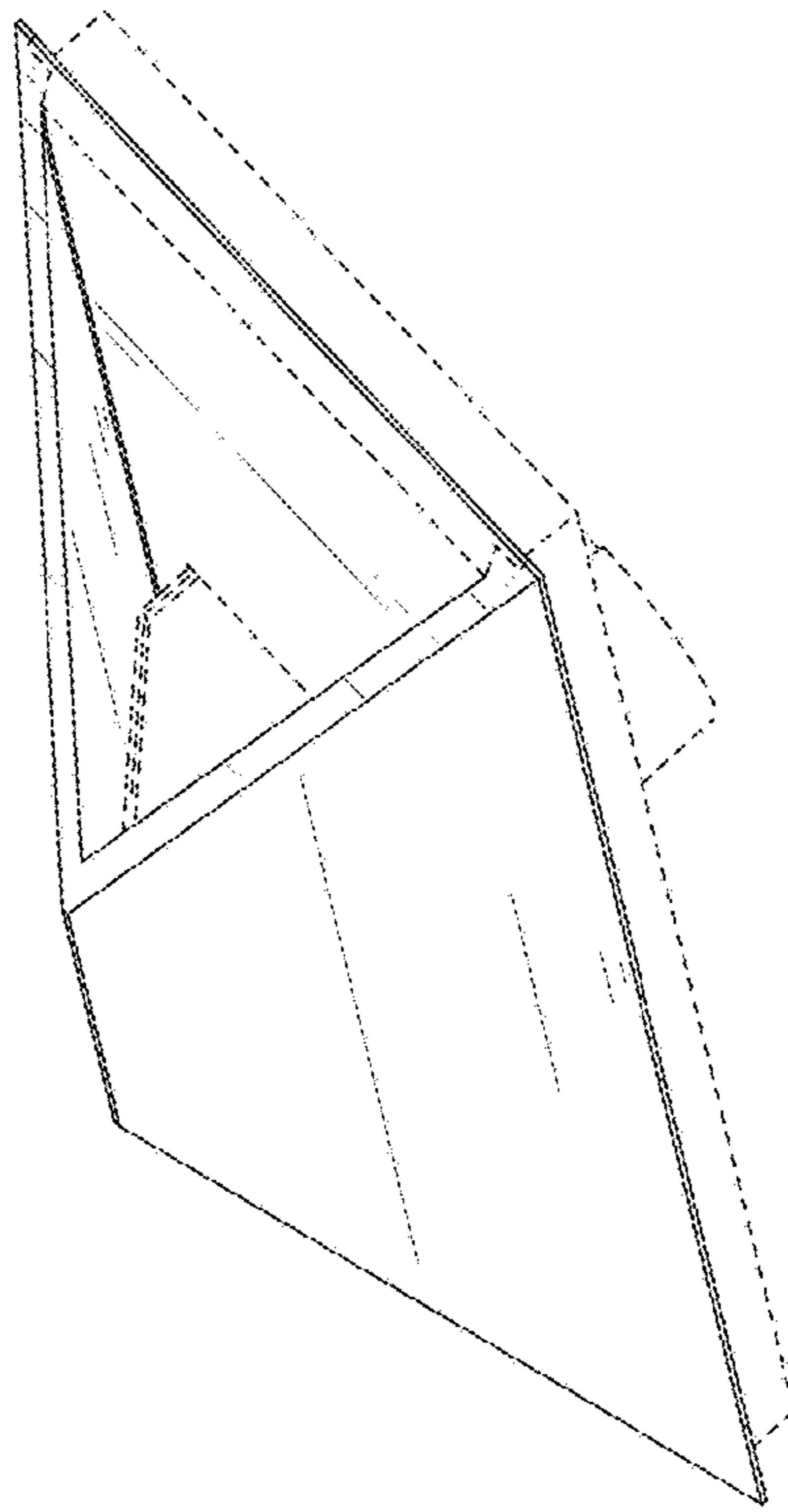


FIG. 2

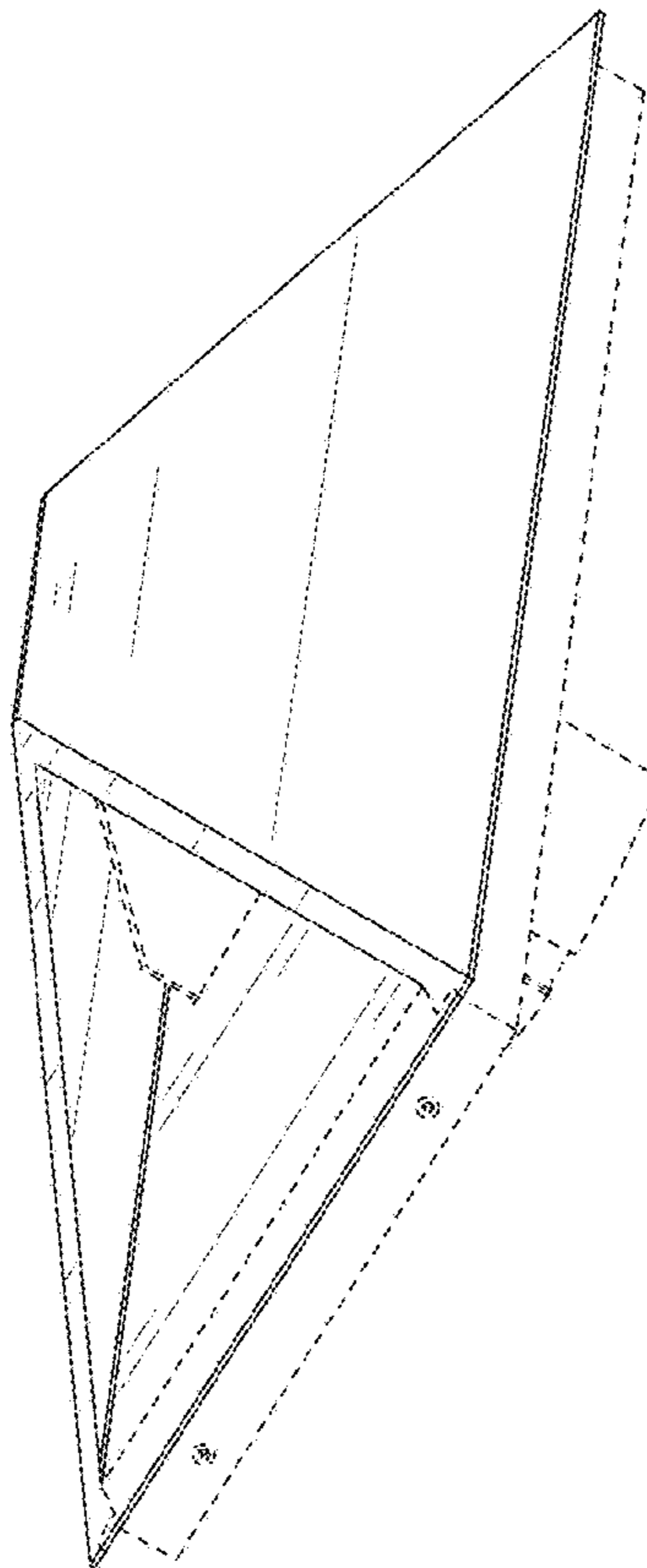


FIG. 3

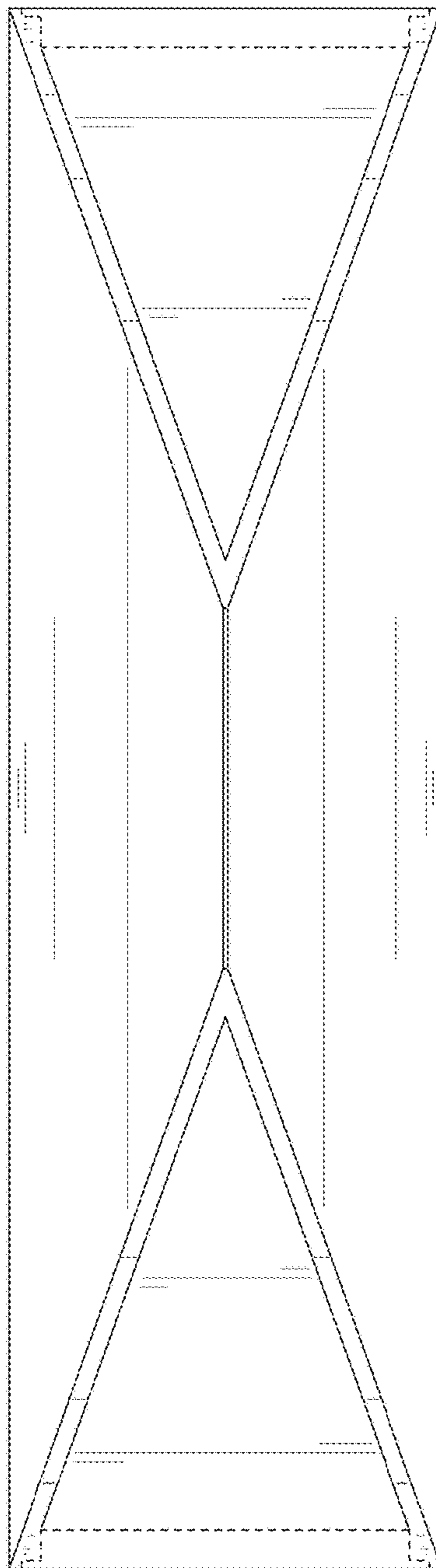


FIG. 4

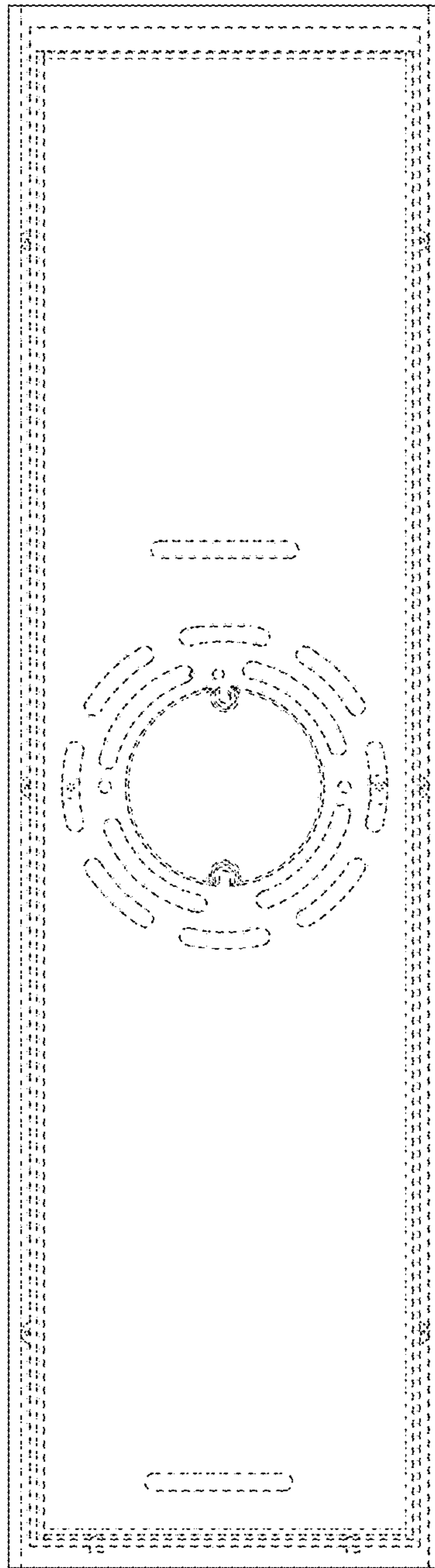


FIG. 5

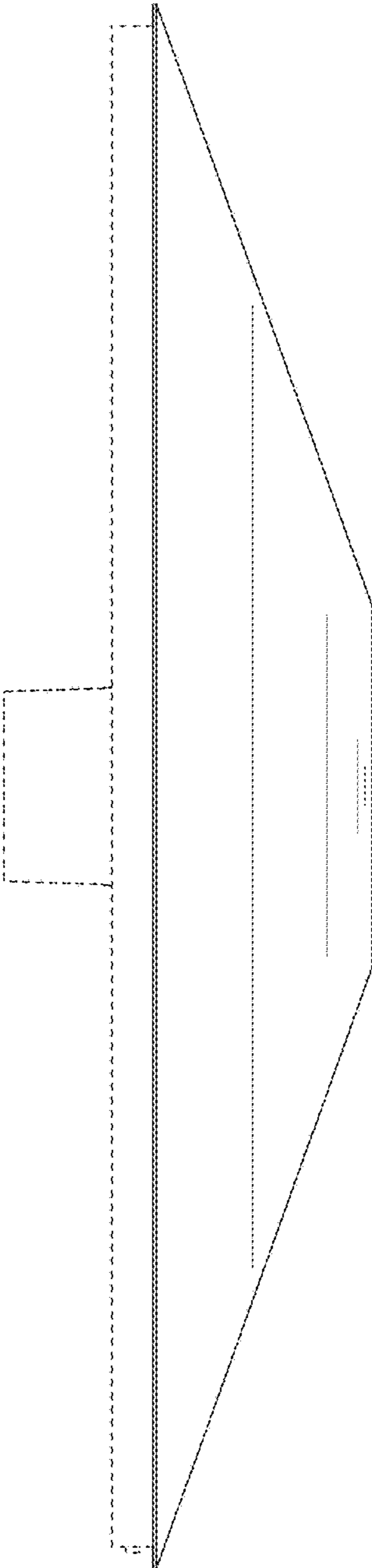


FIG. 6

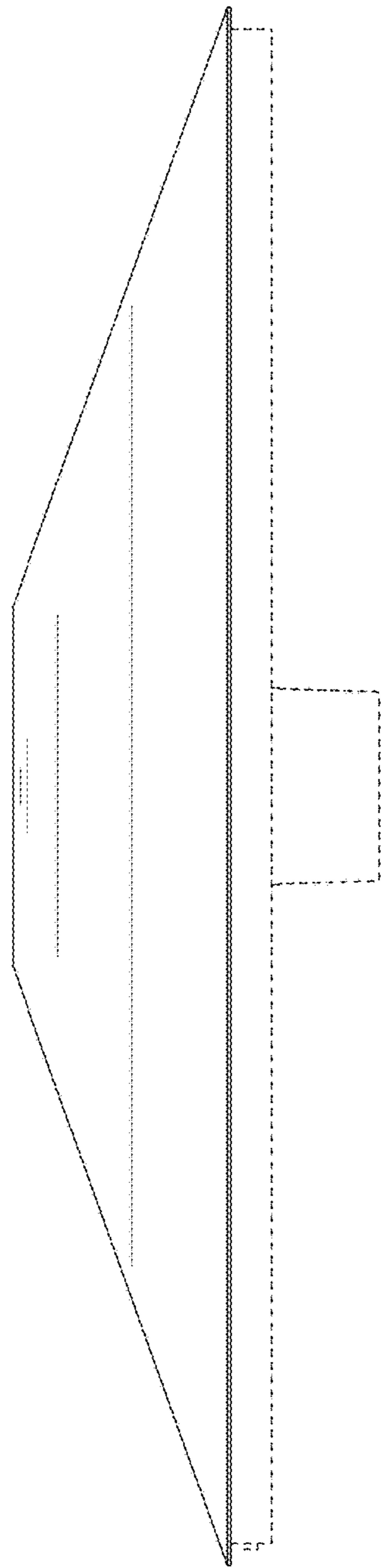


FIG. 7



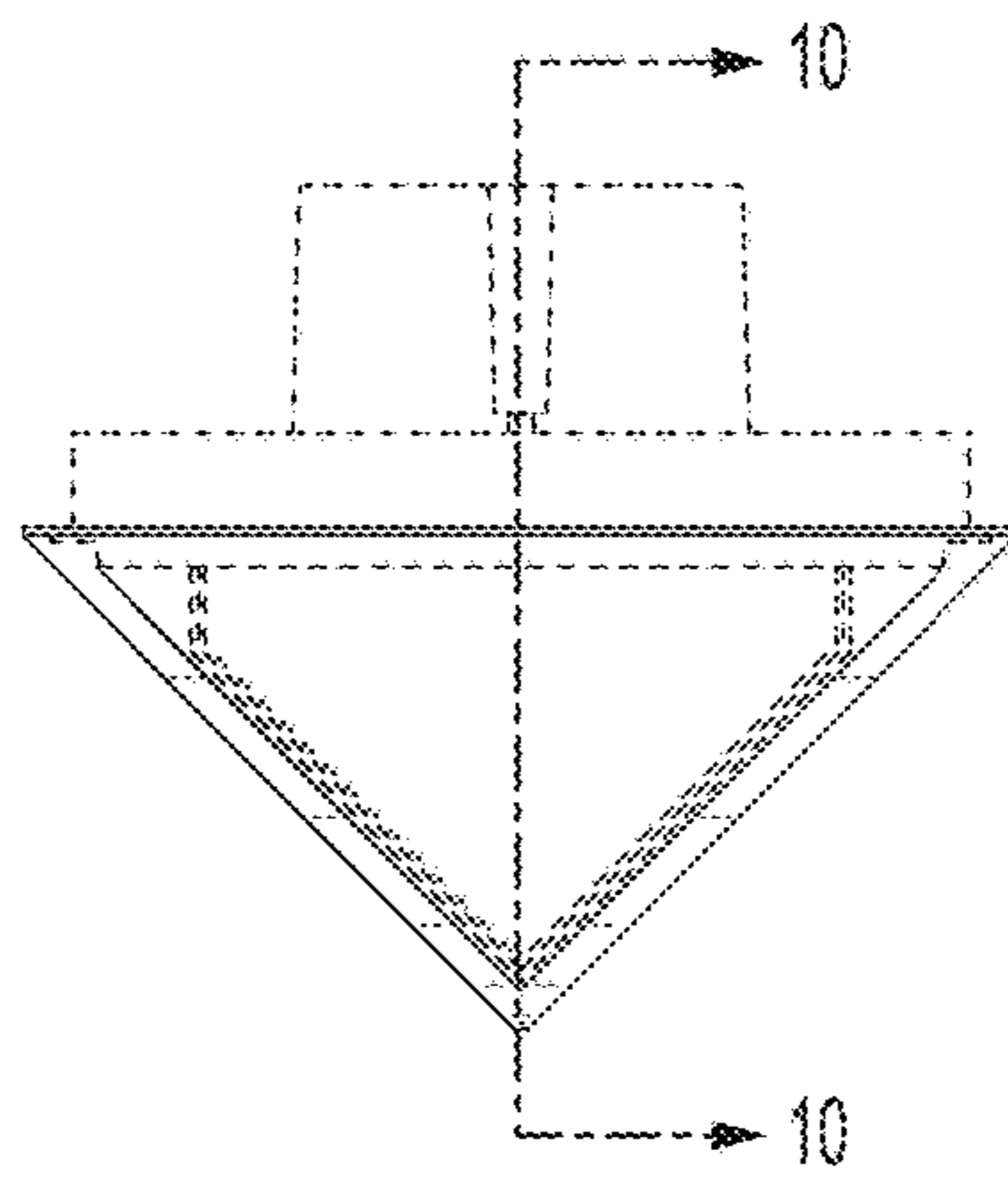


FIG. 8

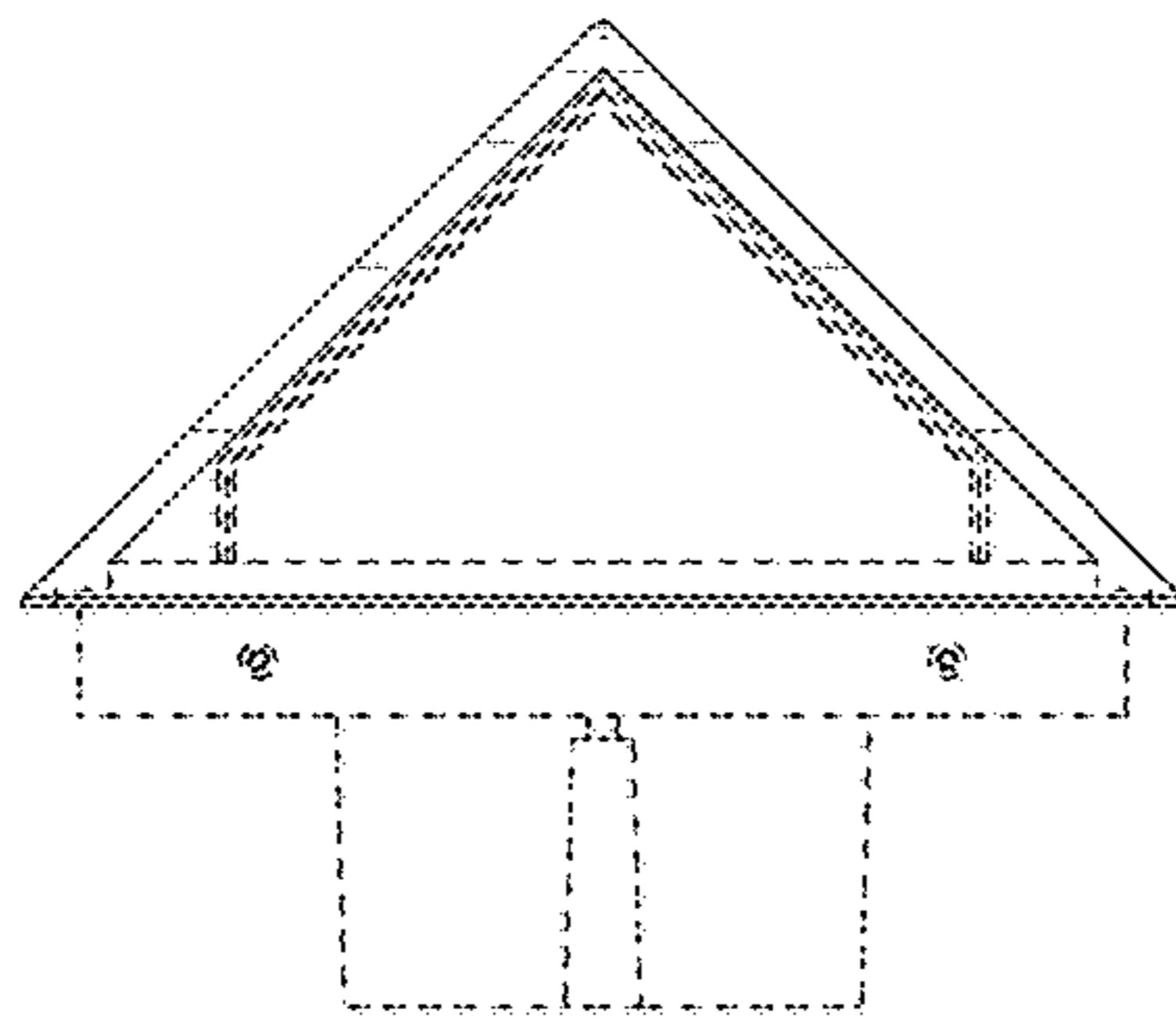


FIG. 9

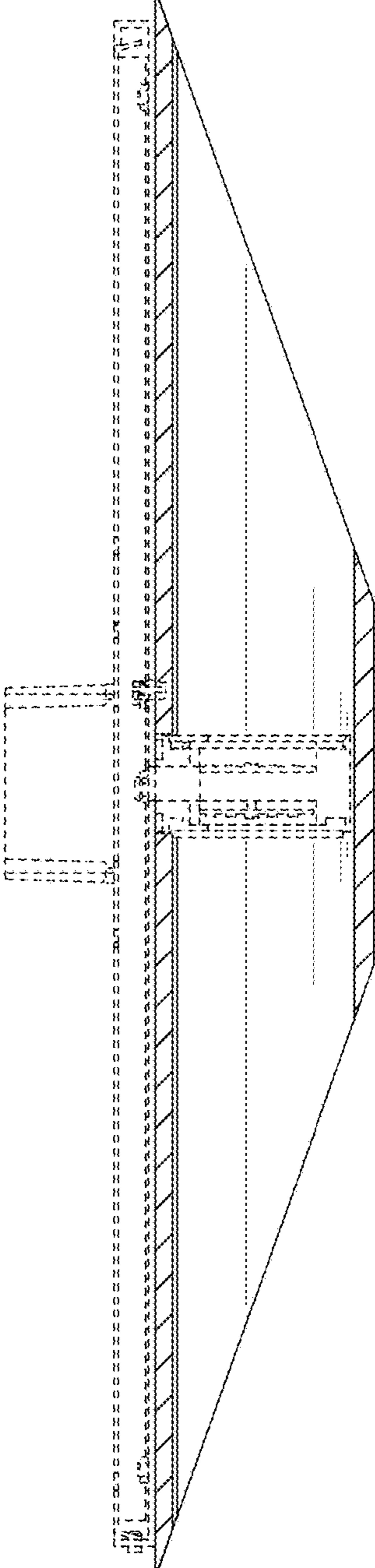


FIG. 10