



US00D849301S

(12) **United States Design Patent**
Wang et al.

(10) **Patent No.:** **US D849,301 S**
(45) **Date of Patent:** **** May 21, 2019**

(54) **EXPLOSION-PROOF LAMP**

(71) Applicant: **Shanghai Qinsun Electric Co., Ltd.**,
Shanghai (CN)

(72) Inventors: **Xuhui Wang**, Shanghai (CN);
Xiandong Zhang, Shanghai (CN);
Xiaochuan Qi, Shanghai (CN); **Yan**
Tao, Shanghai (CN)

(73) Assignee: **SHANGHAI QINSUN ELECTRIC**
CO., LTD., Shanghai (CN)

(**) Term: **15 Years**

(21) Appl. No.: **29/599,957**

(22) Filed: **Apr. 7, 2017**

(30) **Foreign Application Priority Data**

Nov. 30, 2016 (CN) 2016 3 0585577

(51) **LOC (11) Cl.** **26-03**

(52) **U.S. Cl.**
USPC **D26/72**

(58) **Field of Classification Search**
USPC D26/71, 72, 80, 88, 91, 92
CPC F21S 8/03; F21S 8/04; F21S 8/043; F21S
8/06; F21S 8/061; F21S 8/063; F21V
21/008; F21V 21/02; F21V 29/2212;
F21V 29/767; F21V 29/77; F21V 29/777;
F21V 29/78

See application file for complete search history.

(56) **References Cited**

U.S. PATENT DOCUMENTS

D748,840 S * 2/2016 Lee D26/2
D784,591 S * 4/2017 Bryant D26/72
D784,597 S * 4/2017 Wilson D26/88
D796,722 S * 9/2017 Zhu D26/72
D802,197 S * 11/2017 Ding D26/72

2011/0002124 A1* 1/2011 Chang F21V 19/001
362/294
2011/0044038 A1* 2/2011 Mo F21K 9/00
362/235
2013/0077293 A1* 3/2013 Lee F21V 29/677
362/184

(Continued)

FOREIGN PATENT DOCUMENTS

CN 303998757 S 1/2017
CN 206036697 U 3/2017
CN 206036820 U 3/2017

OTHER PUBLICATIONS

LED Explosion-Proof Lamp, Model No. 720 from Crown Extra
Lighting. Found at made-in-china.com visited Aug. 30, 2018. (Year:
2018).*

(Continued)

Primary Examiner — Clare E Heflin

(74) *Attorney, Agent, or Firm* — Ware, Fressola, Maguire
& Barber LLP

(57) **CLAIM**

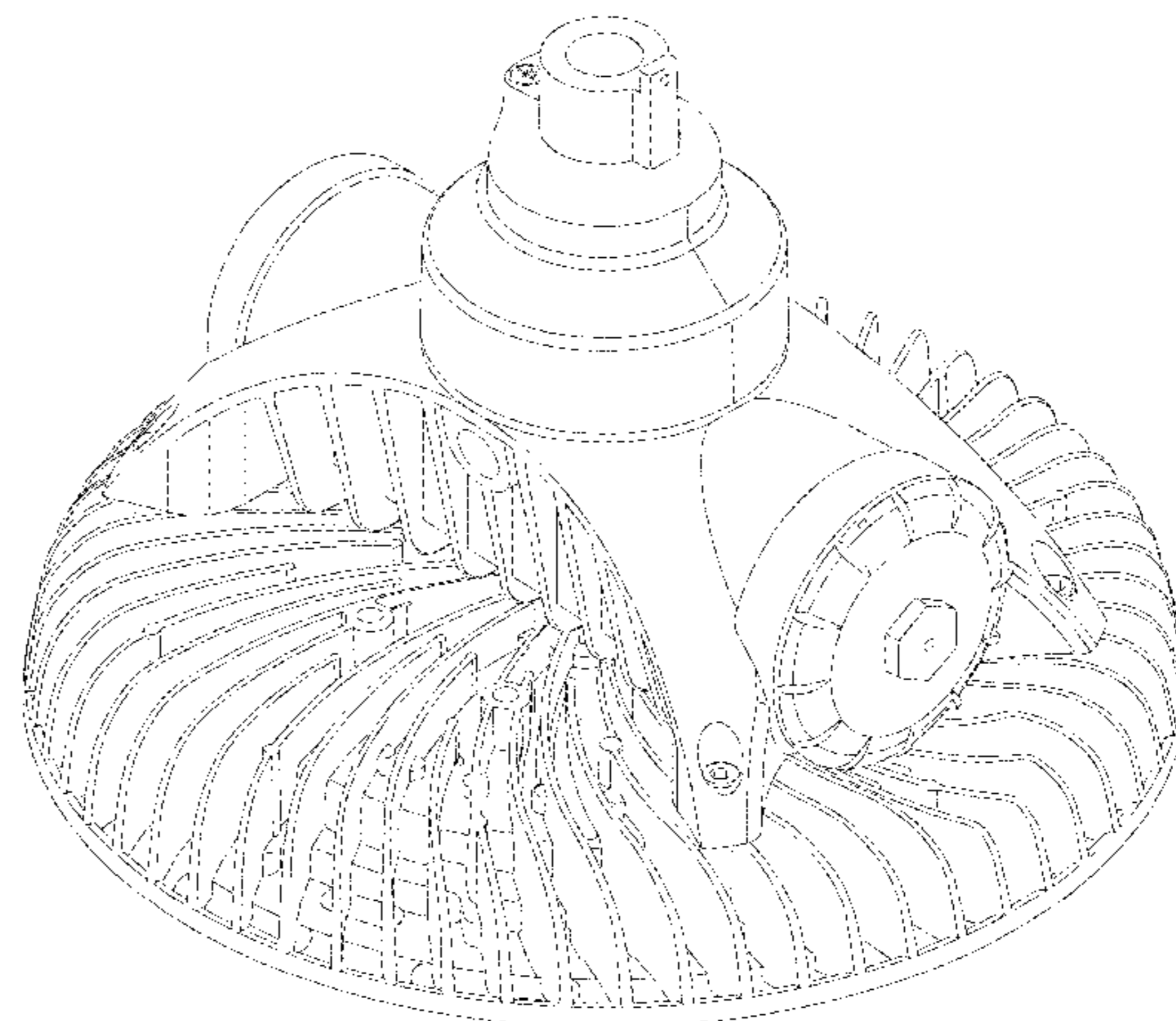
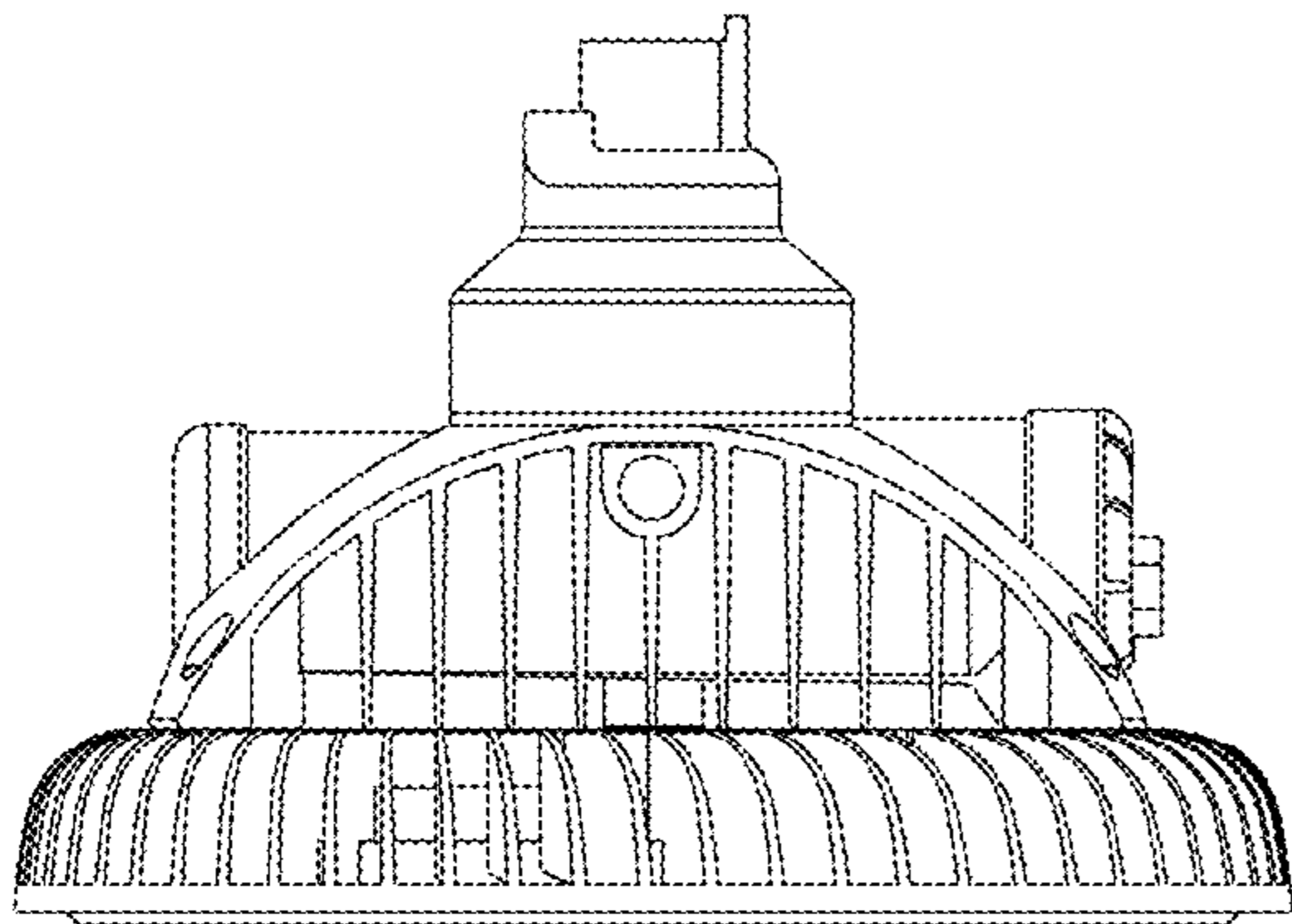
The ornamental design for an explosion-proof lamp, as
shown and described.

DESCRIPTION

FIG. 1 is a front view of an explosion-proof lamp showing
our new design;
FIG. 2 is a back view thereof;
FIG. 3 is a right side view thereof;
FIG. 4 is a left side view thereof;
FIG. 5 is a perspective view thereof;
FIG. 6 is a bottom plan view thereof; and,
FIG. 7 is a top plan view thereof.

The broken lines showing the structures, fasteners and
grooves in FIG. 6 represent portions of the explosion-proof
lamp that form no part of the claimed design.

1 Claim, 7 Drawing Sheets



(56)

References Cited

U.S. PATENT DOCUMENTS

2014/0021884 A1* 1/2014 Fetterly H05B 33/0854
315/297
2015/0233569 A1* 8/2015 Xue F21V 29/777
362/373
2016/0341400 A1* 11/2016 Lee F21V 29/67
2017/0146225 A1* 5/2017 Chien F21V 29/77
2017/0153016 A1* 6/2017 Lee F21V 29/77

OTHER PUBLICATIONS

Explosion-Proof Lamp Series EX011 by Huo Long Guo Environmental Technology Co. Ltd. Found at hlgetech.com visited Aug. 30, 2018. (Year: 2018).*

* cited by examiner

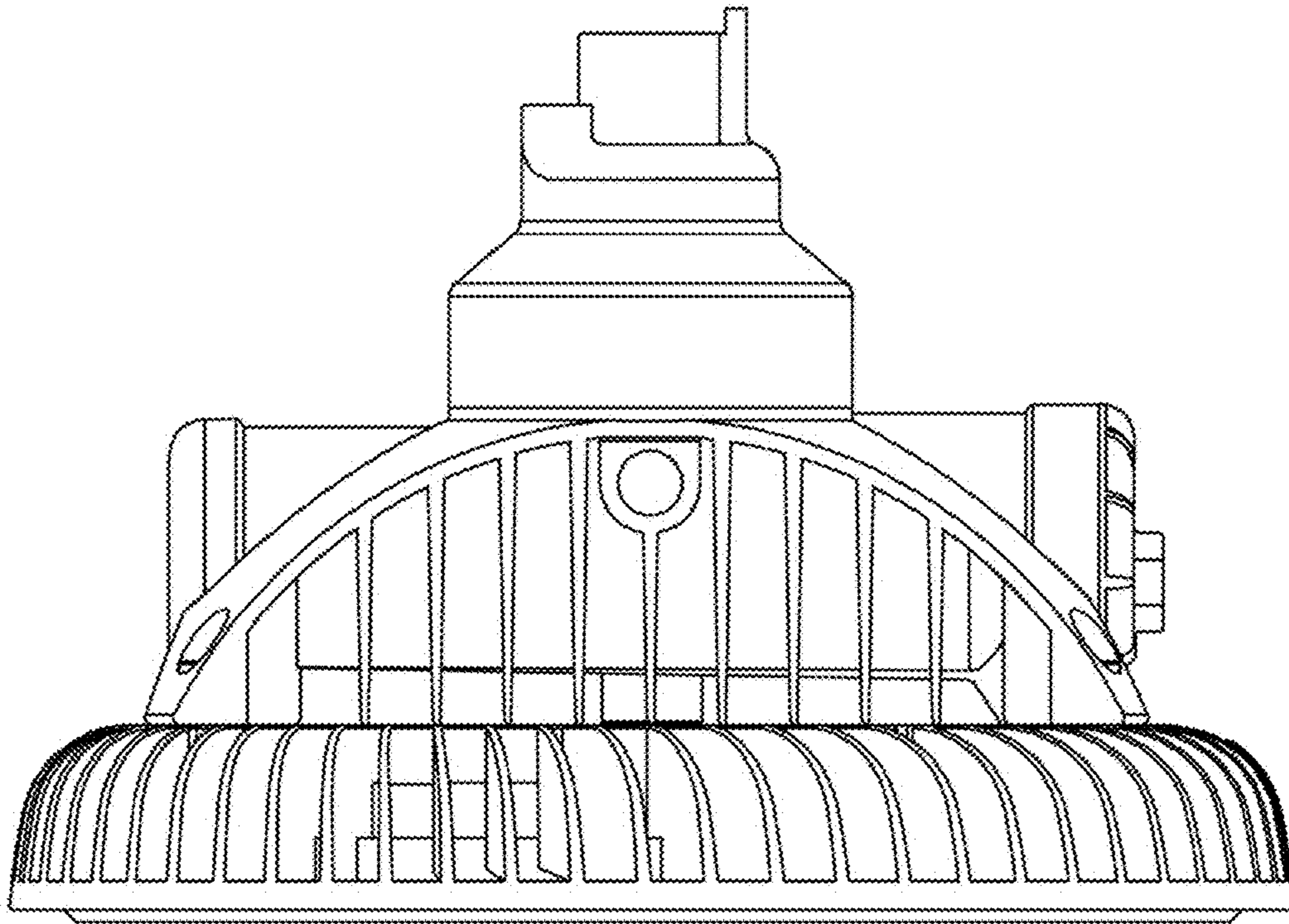


FIG. 1

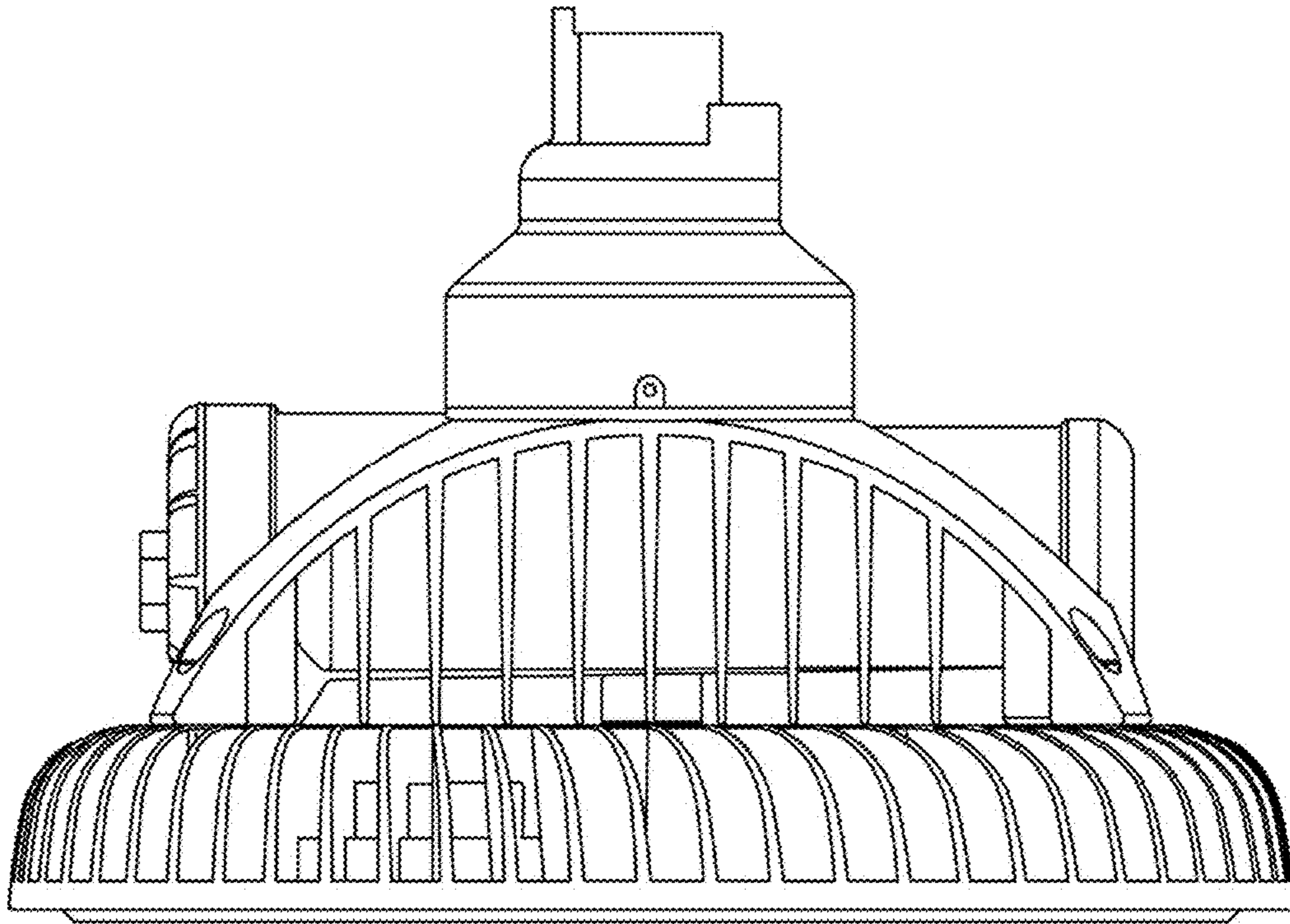


FIG. 2

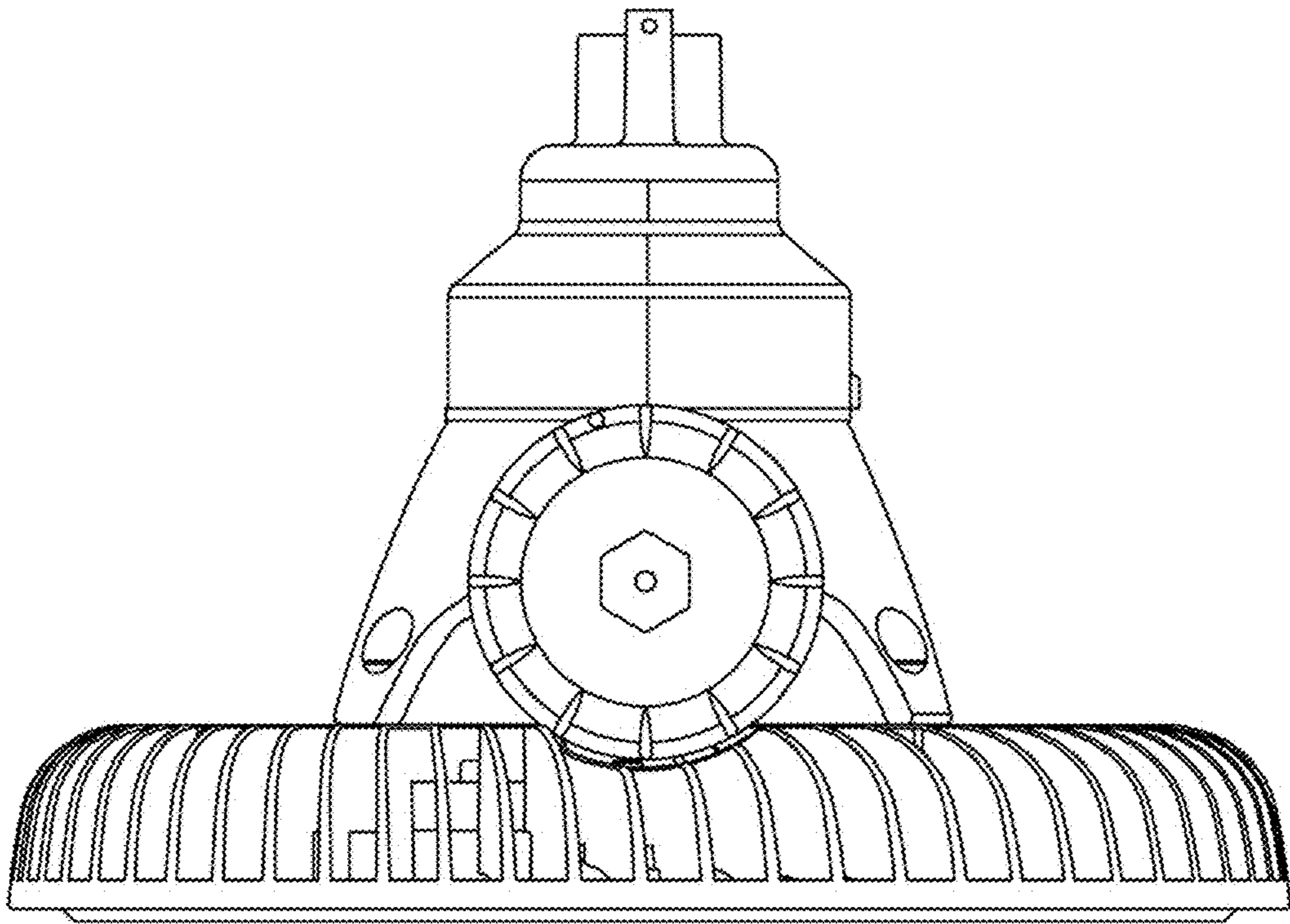


FIG. 3

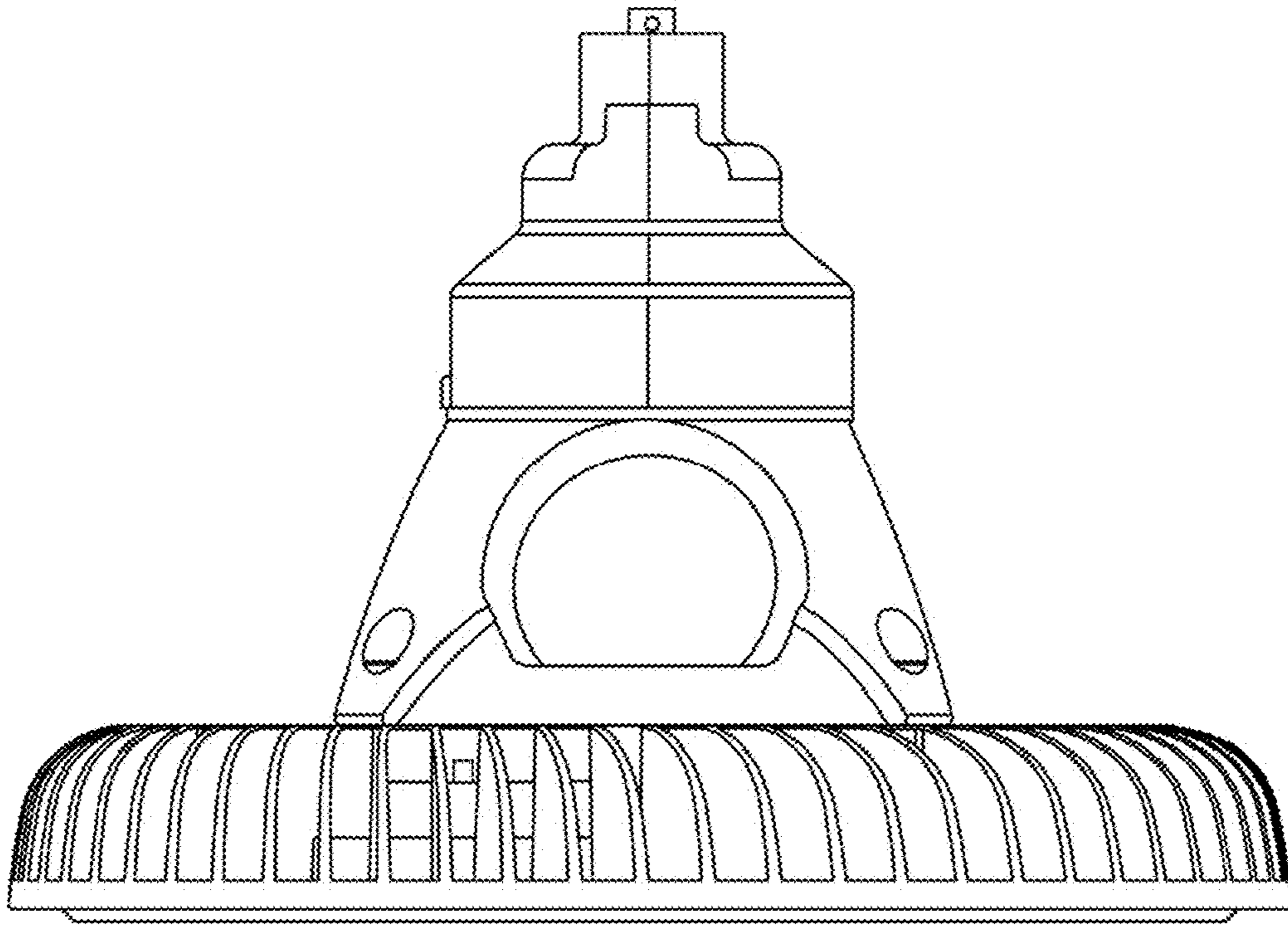


FIG. 4

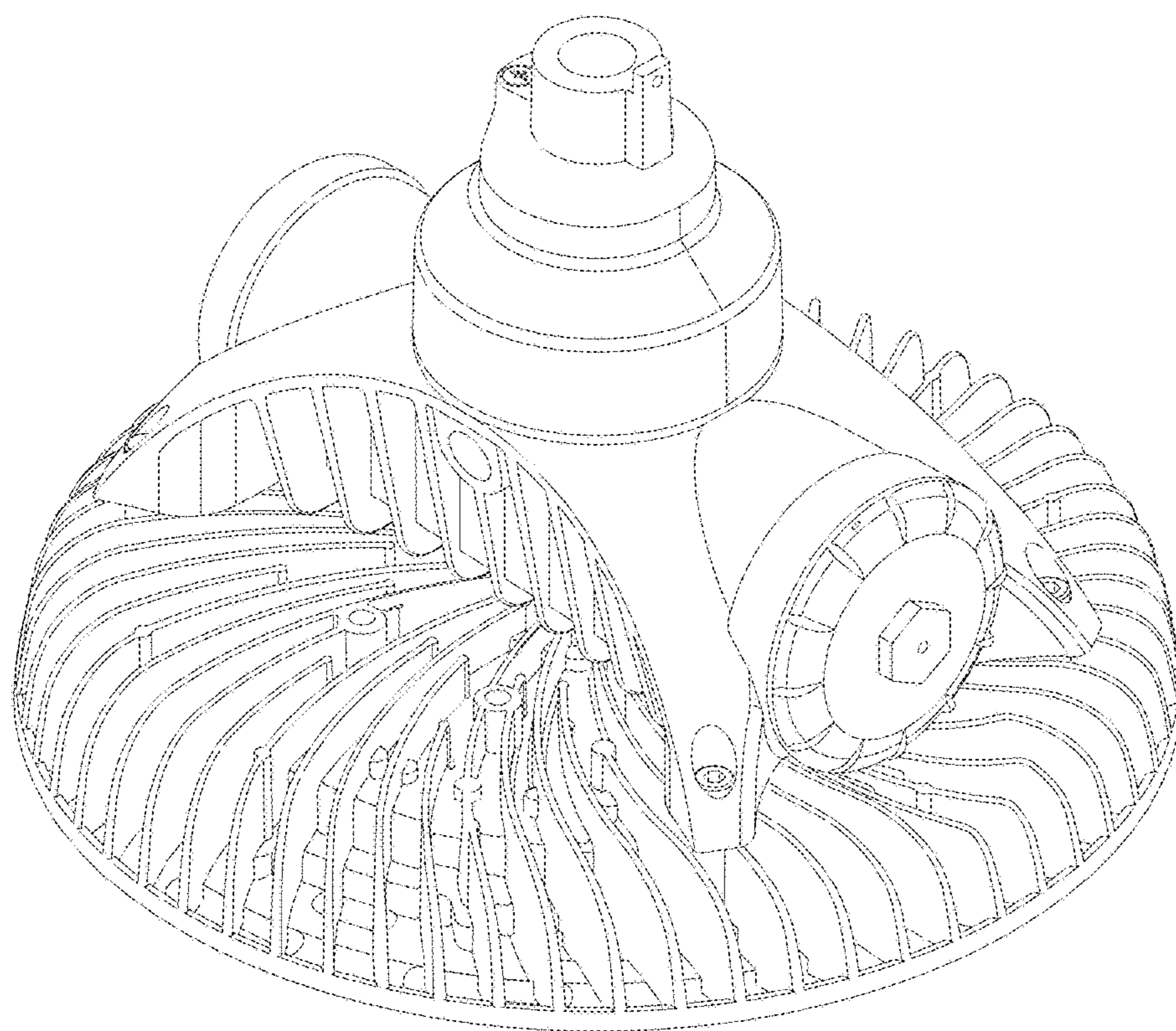


FIG. 5

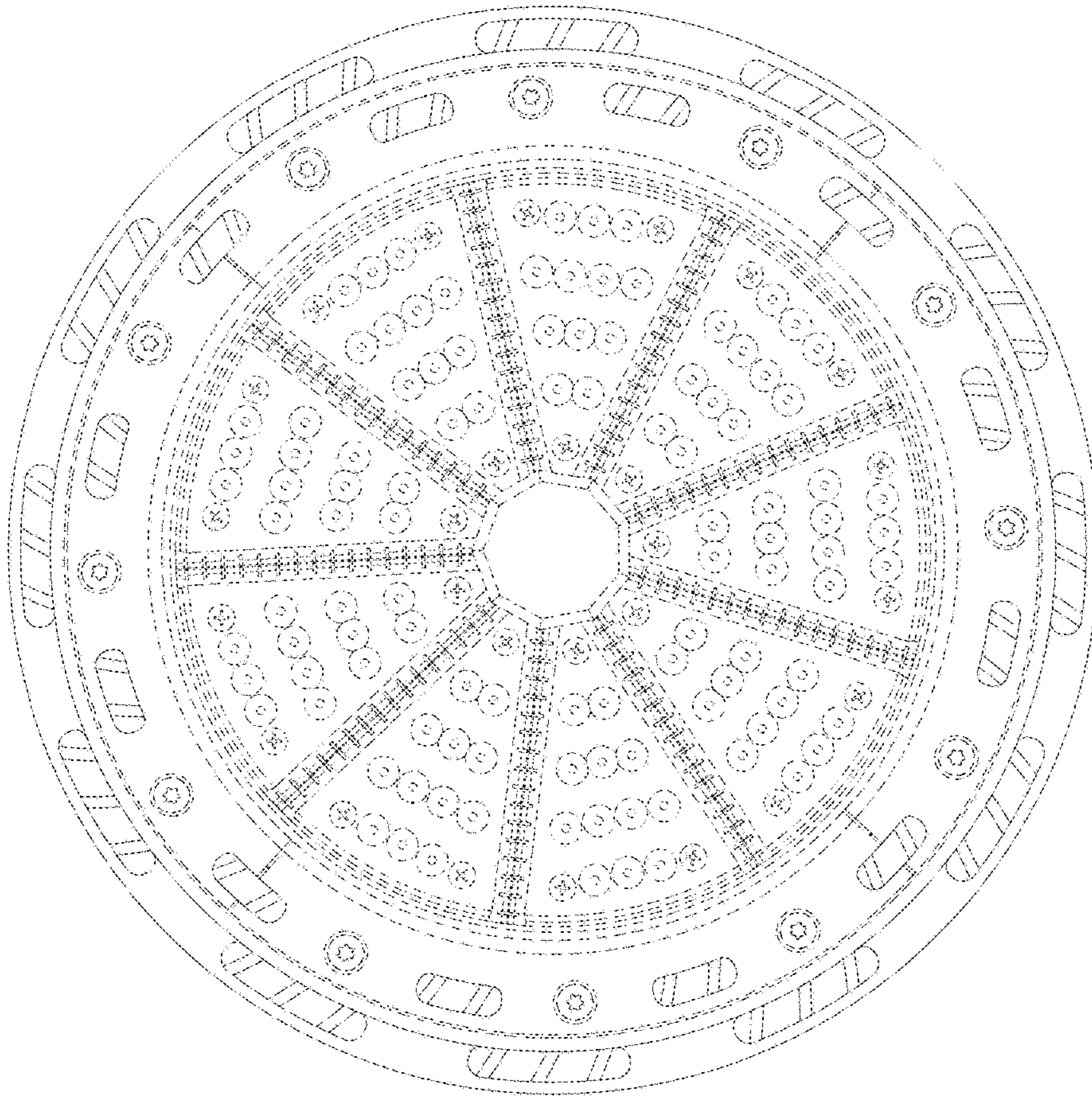


FIG. 6

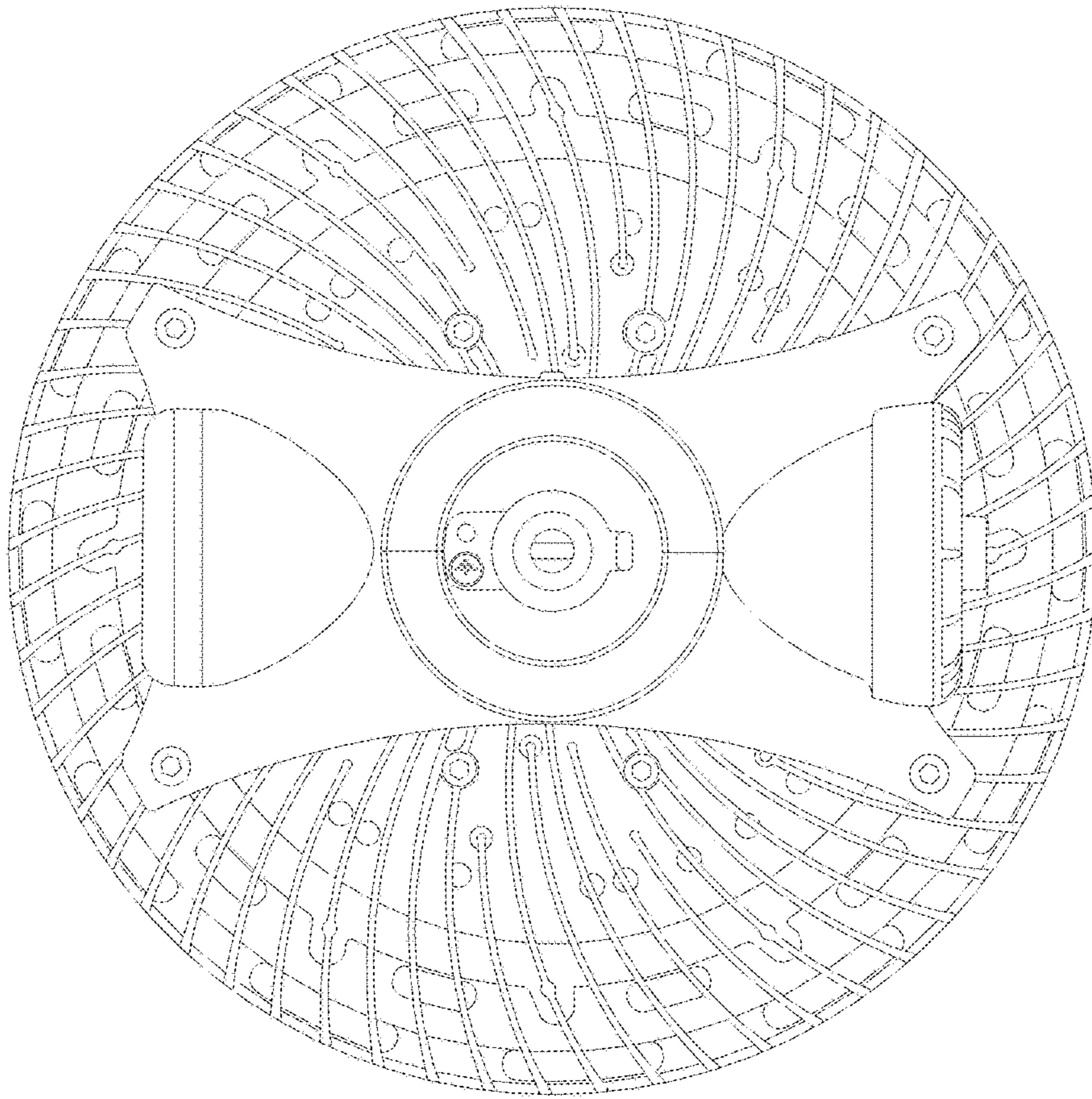


FIG. 7