



(12) **United States Design Patent**  
**Ruberg**

(10) **Patent No.:** **US D849,300 S**  
(45) **Date of Patent:** **\*\* May 21, 2019**

(54) **OUTDOOR LIGHTING FIXTURE**  
(71) Applicant: **SCHREDER, S.A.**, Brussels (BE)  
(72) Inventor: **Allan Ruberg**, Copenhagen K (DK)  
(73) Assignee: **Schreder, S.A.**, Brussels (BE)  
(\*\*) Term: **15 Years**

(21) Appl. No.: **29/609,739**  
(22) Filed: **Jul. 5, 2017**

(30) **Foreign Application Priority Data**

Jan. 5, 2017 (EM) ..... 003586551-0001

(51) **LOC (11) Cl.** ..... **26-05**  
(52) **U.S. Cl.**  
USPC ..... **D26/71**  
(58) **Field of Classification Search**  
USPC ..... D26/67-71, 92, 118  
CPC .... F21S 8/033; F21S 8/036; F21S 8/08; F21S  
8/081; F21S 8/085; F21S 8/086; F21S  
6/003; F21W 2131/1005; F21W  
2131/103; F21W 2131/107; F21W  
2131/109

See application file for complete search history.

(56) **References Cited**

**U.S. PATENT DOCUMENTS**

D194,991 S \* 4/1963 Hiskey ..... D26/71  
D321,950 S \* 11/1991 Enthoven ..... D26/87  
D577,847 S \* 9/2008 Ruud ..... D26/71  
D634,465 S \* 3/2011 Siefker ..... D26/71  
D665,526 S \* 8/2012 Kong ..... D26/113  
8,235,550 B2 \* 8/2012 Kong ..... F21S 8/086  
362/249.02  
D711,034 S \* 8/2014 Sturgis ..... D26/71  
D743,608 S \* 11/2015 Verelst ..... D26/68  
D823,517 S \* 7/2018 Ladewig ..... D26/71

2004/0095773 A1\* 5/2004 Gaskins ..... F21V 21/116  
362/370  
2009/0086491 A1\* 4/2009 Ruud ..... F21S 8/086  
362/294  
2012/0057340 A1\* 3/2012 Rami ..... F21S 8/086  
362/231

**OTHER PUBLICATIONS**

Diorama street lamp designed by Ramon Benedito in 2000. Found at santacole.com visited Jan. 22, 2019. (Year: 2000).\*  
Euro Contemporary: Delta Streetlight Collection available as early as Oct. 16, 2008. Found at sketchup.com visited Jan. 22, 2019. (Year: 2008).\*  
Moana LED aluminum streetlight from ECLATEC. Found at archiproducts.com, visited Jan. 22, 2019. (Year: 2019).\*  
YMERA streetlight PDF/Brochure by Shreder. © 2017. Found at shreder.com visited Jan. 22, 2019. (Year: 2017).\*

\* cited by examiner

*Primary Examiner* — Clare E Hefflin

(74) *Attorney, Agent, or Firm* — Kirschstein, Israel, Schiffmiller & Pieroni, P.C.

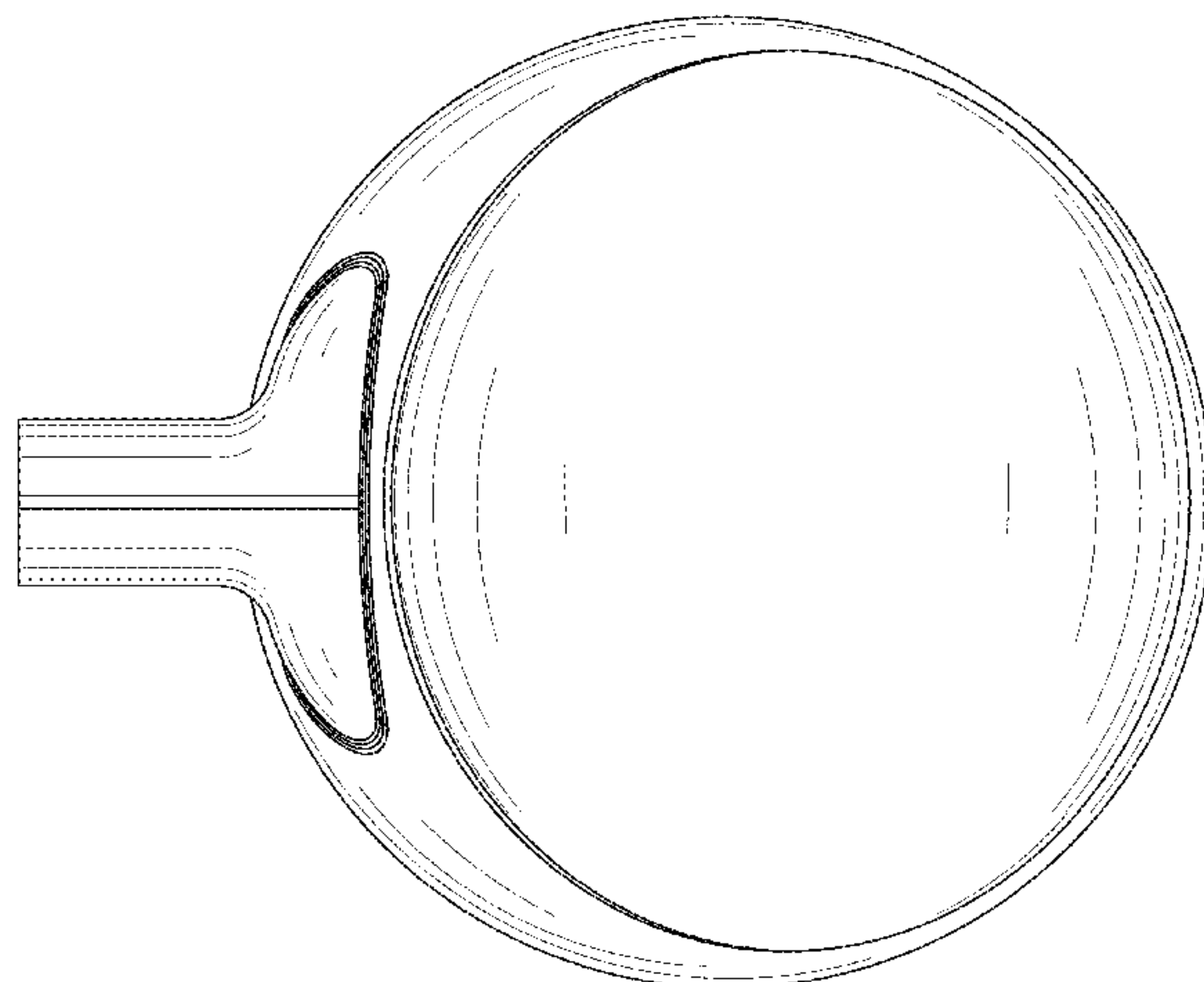
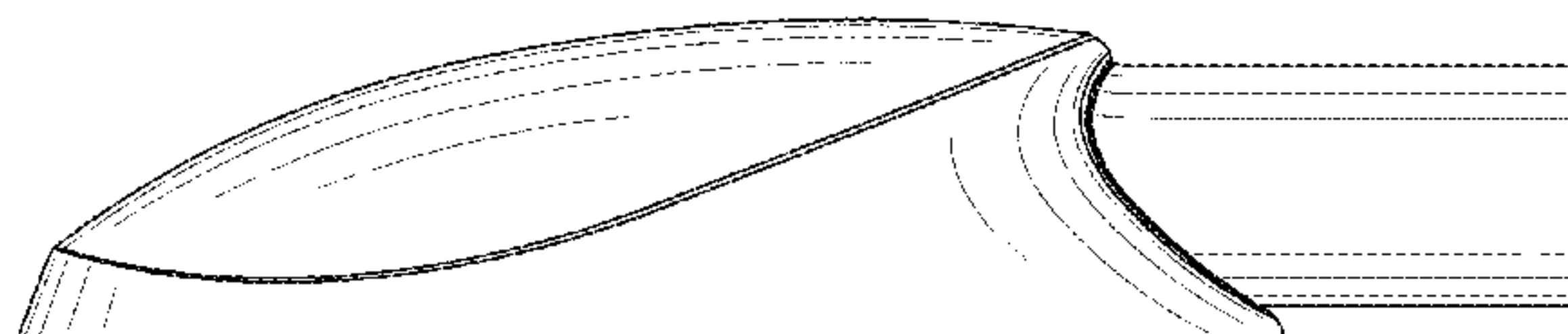
(57) **CLAIM**

The ornamental design for the outdoor lighting fixture, as shown and described.

**DESCRIPTION**

FIG. 1 is a perspective view of an outdoor lighting fixture as seen from above according to my new design.  
FIG. 2 is a perspective view thereof as seen from below.  
FIG. 3 is a right side elevational view thereof.  
FIG. 4 is a left side elevational view thereof.  
FIG. 5 is a front elevational view thereof.  
FIG. 6 is a rear elevational view thereof.  
FIG. 7 is a top plan view thereof; and,  
FIG. 8 is a bottom plan view thereof.  
The broken lines shown on the drawings depict portions of the outdoor lighting fixture that form no part of the claimed design.

**1 Claim, 7 Drawing Sheets**



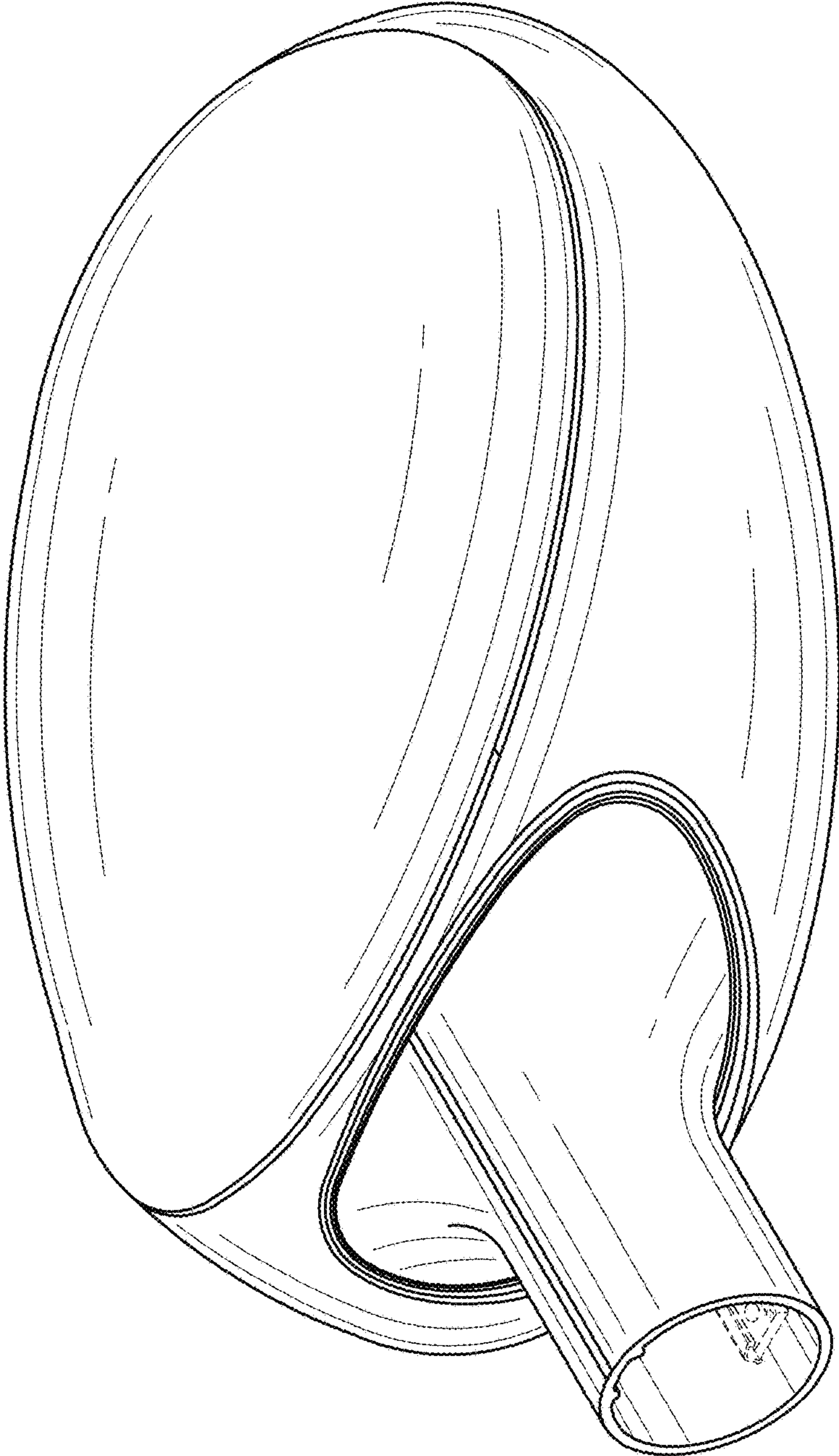


FIG. 1

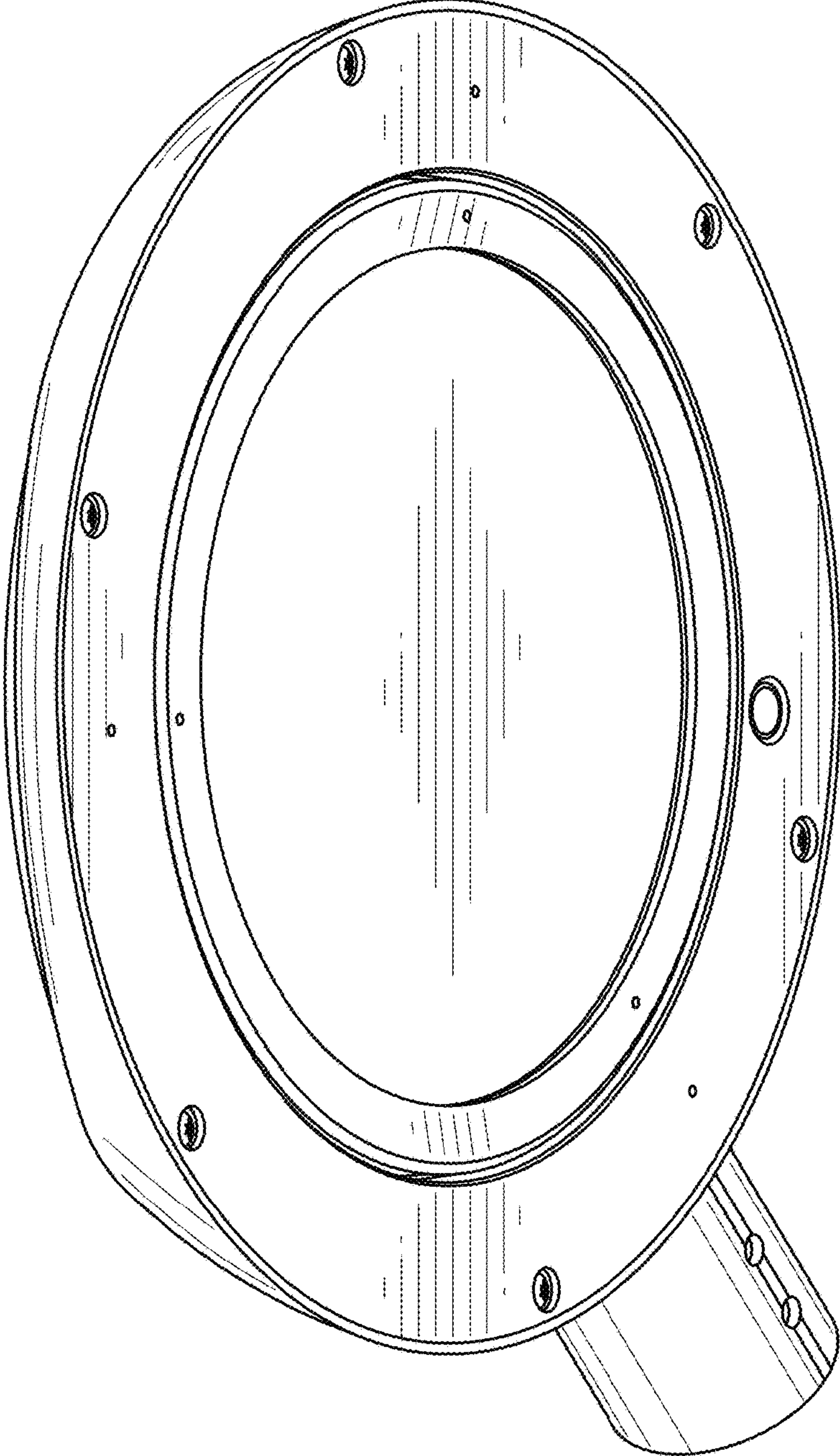


FIG. 2

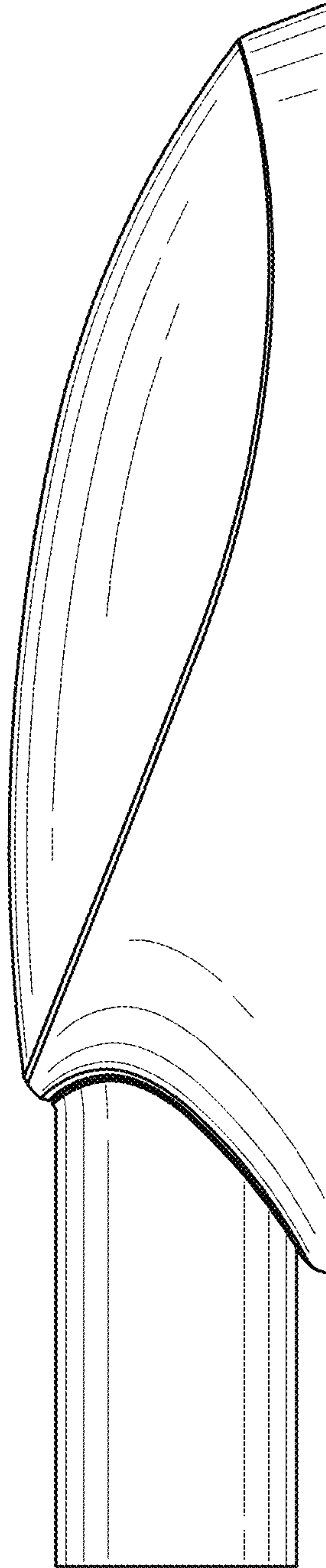


FIG. 3



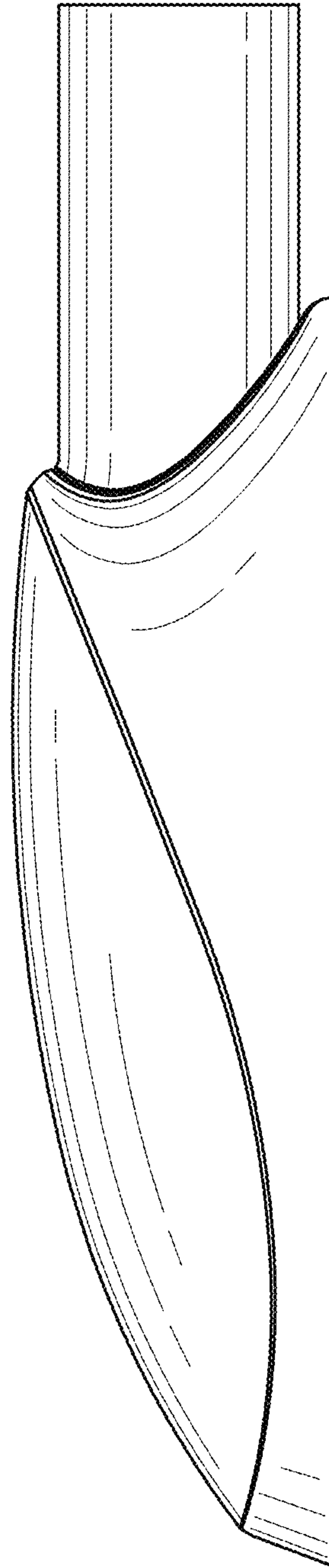


FIG. 4

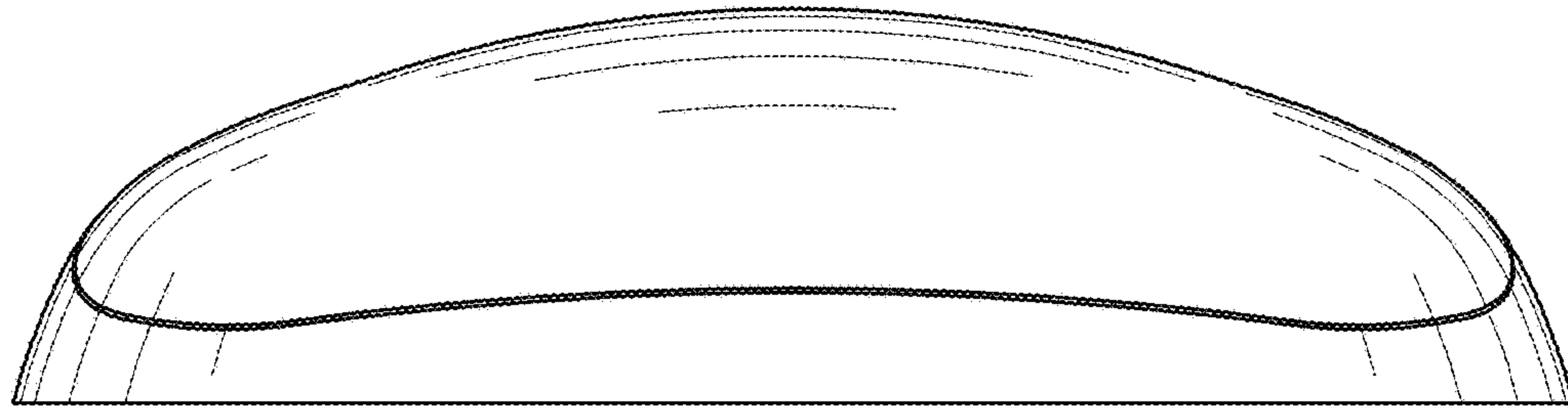


FIG. 5

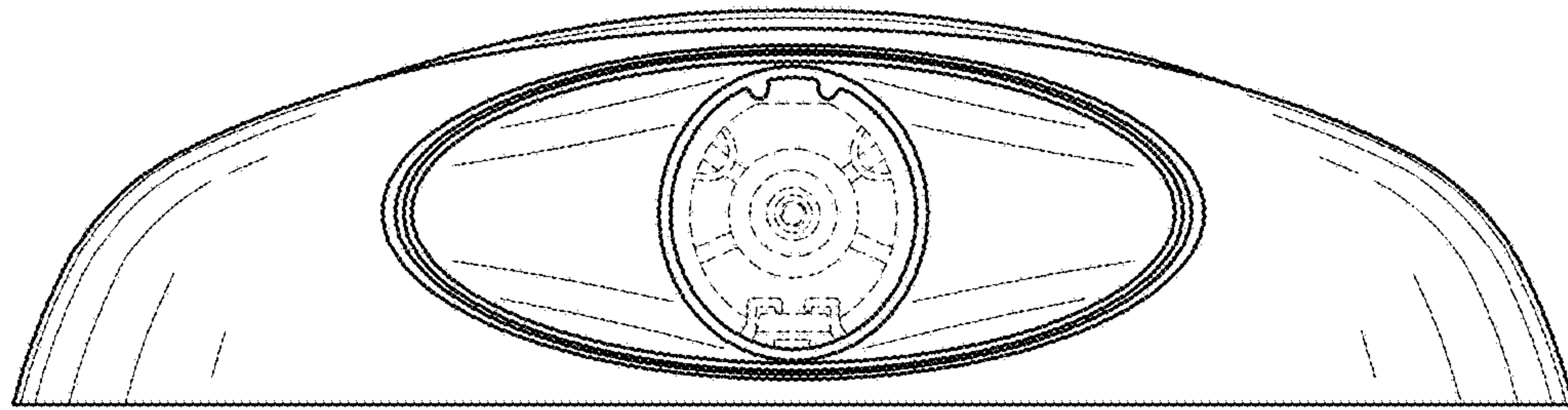


FIG. 6

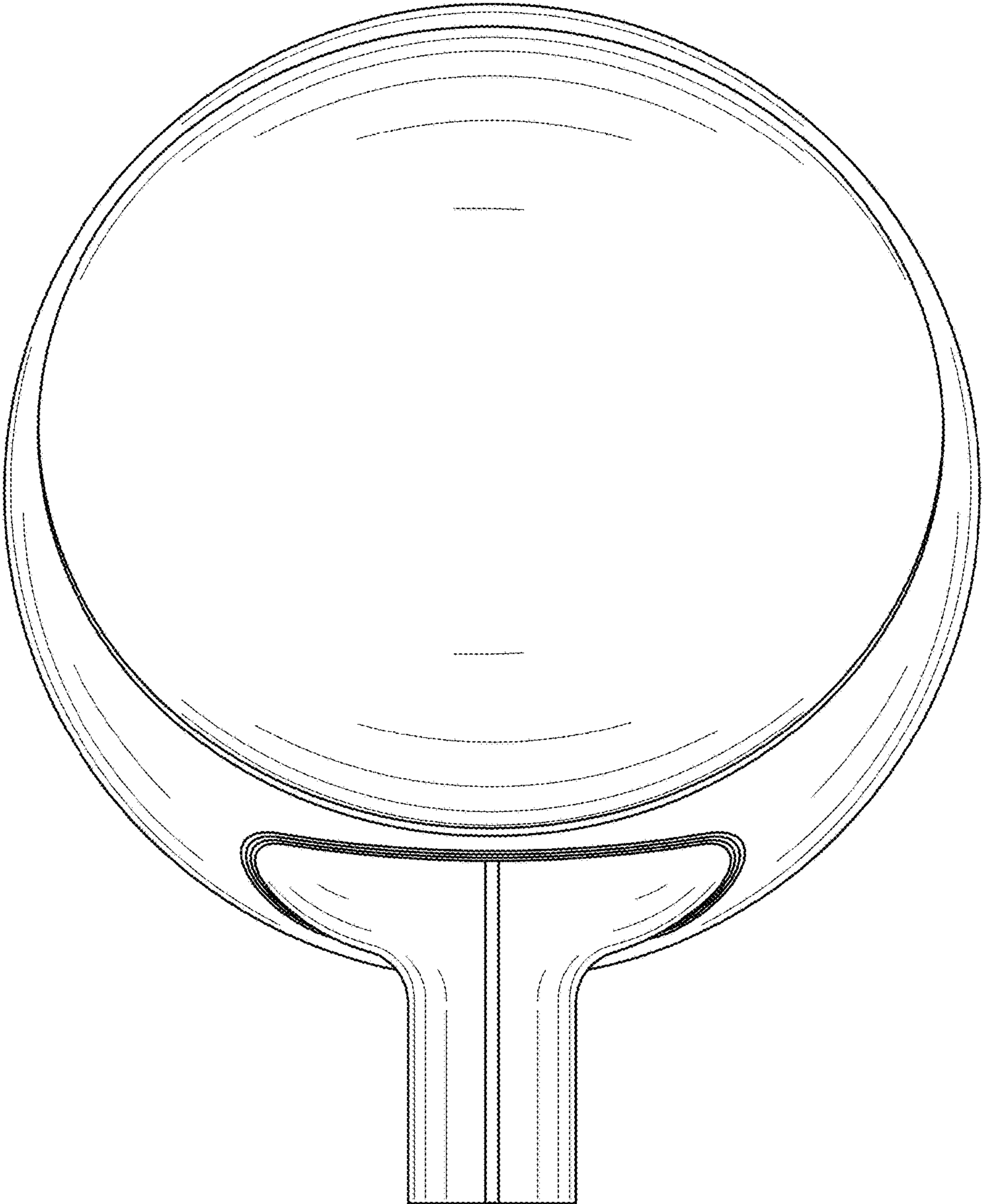


FIG. 7

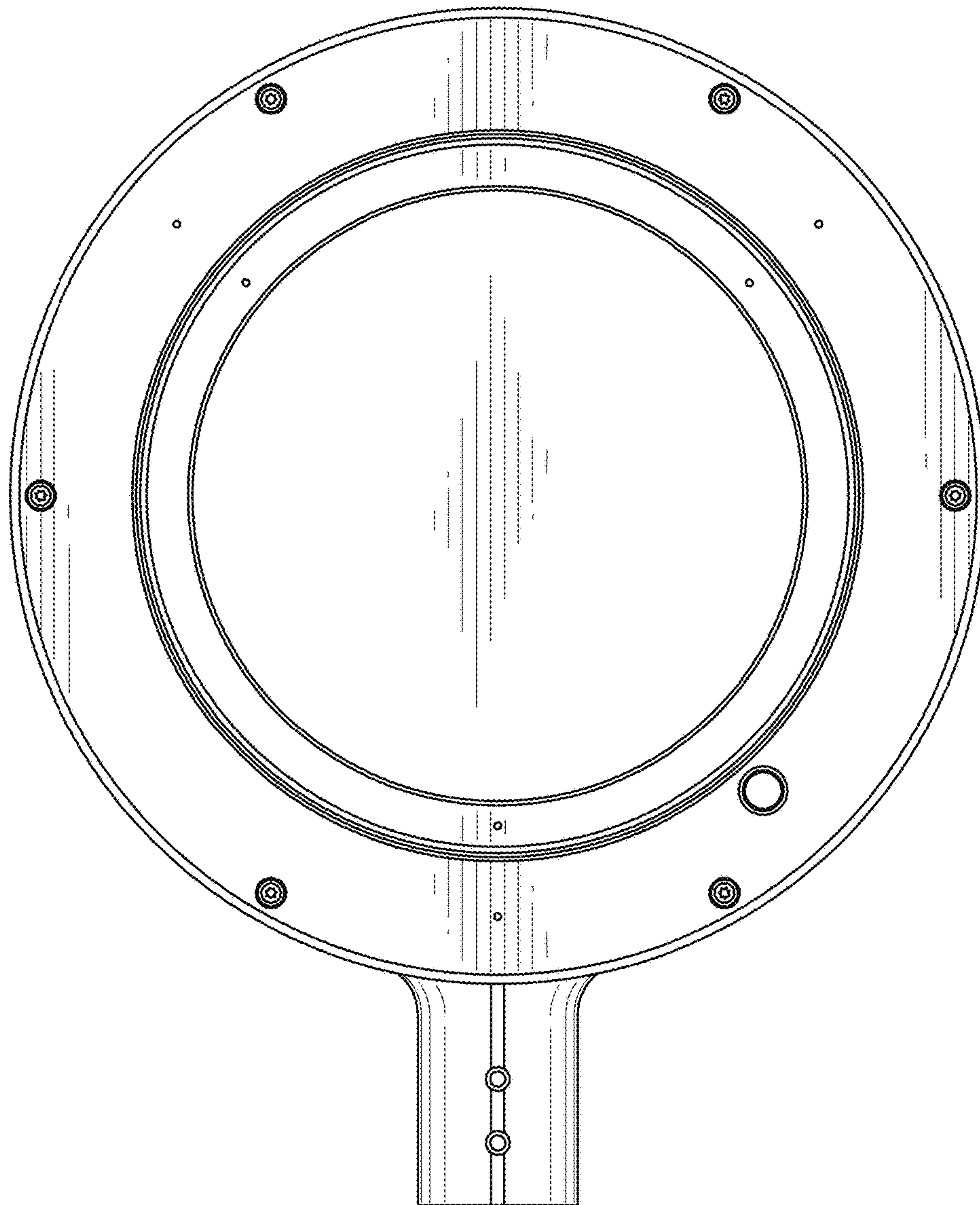


FIG. 8