



US00D849299S

(12) **United States Design Patent** (10) **Patent No.:** **US D849,299 S**
Shi (45) **Date of Patent:** **** May 21, 2019**

(54) **LASER LAWN LAMP**

(71) Applicant: **Xiaoqin Shi**, Anhui (CN)

(72) Inventor: **Xiaoqin Shi**, Anhui (CN)

(**) Term: **15 Years**

(21) Appl. No.: **29/587,176**

(22) Filed: **Dec. 11, 2016**

(51) **LOC (11) Cl.** **26-05**

(52) **U.S. Cl.**
USPC **D26/68**

(58) **Field of Classification Search**
USPC D10/111-115; D26/7, 8, 10, 11, 12, 14,
D26/19, 60, 61, 63-69, 71, 92, 93;
D13/102

CPC F21S 8/081; F21S 8/08; F21S 6/00
See application file for complete search history.

(56) **References Cited**

U.S. PATENT DOCUMENTS

D340,305 S *	10/1993	Hall	D26/68
D361,148 S *	8/1995	Wedell	D26/63
D400,997 S *	11/1998	Cheun	D26/63
D531,748 S *	11/2006	Sanoner	D26/68
D567,979 S *	4/2008	Starck	D26/63
D773,707 S *	12/2016	Lentine	D26/63
D797,975 S *	9/2017	Lentine	D26/63
9,752,761 B2 *	9/2017	Lentine	F21V 21/0824
D804,083 S *	11/2017	Lentine	D26/118
9,874,327 B2 *	1/2018	Lentine	F21S 10/007
2006/0198153 A1 *	9/2006	Chien	F21V 21/0824 362/382

OTHER PUBLICATIONS

Joeais Outdoor Garden LED Moving Snowflake Laser Lights (available online) Retrieved from the internet Apr. 26, 2018 from URL: https://www.amazon.com/dp/B075PWV39S/ref=sspa_dk_detail_6?psc=1&pd_rd_i=B075PWV39S&pd_rd_wg=wli3F&pd_rd_r=B6T9JJMF8TVN9TNTA9Y9&pd_rd_w=IGryl.*

* cited by examiner

Primary Examiner — Kevin K Rudzinski

Assistant Examiner — Richard Kearney

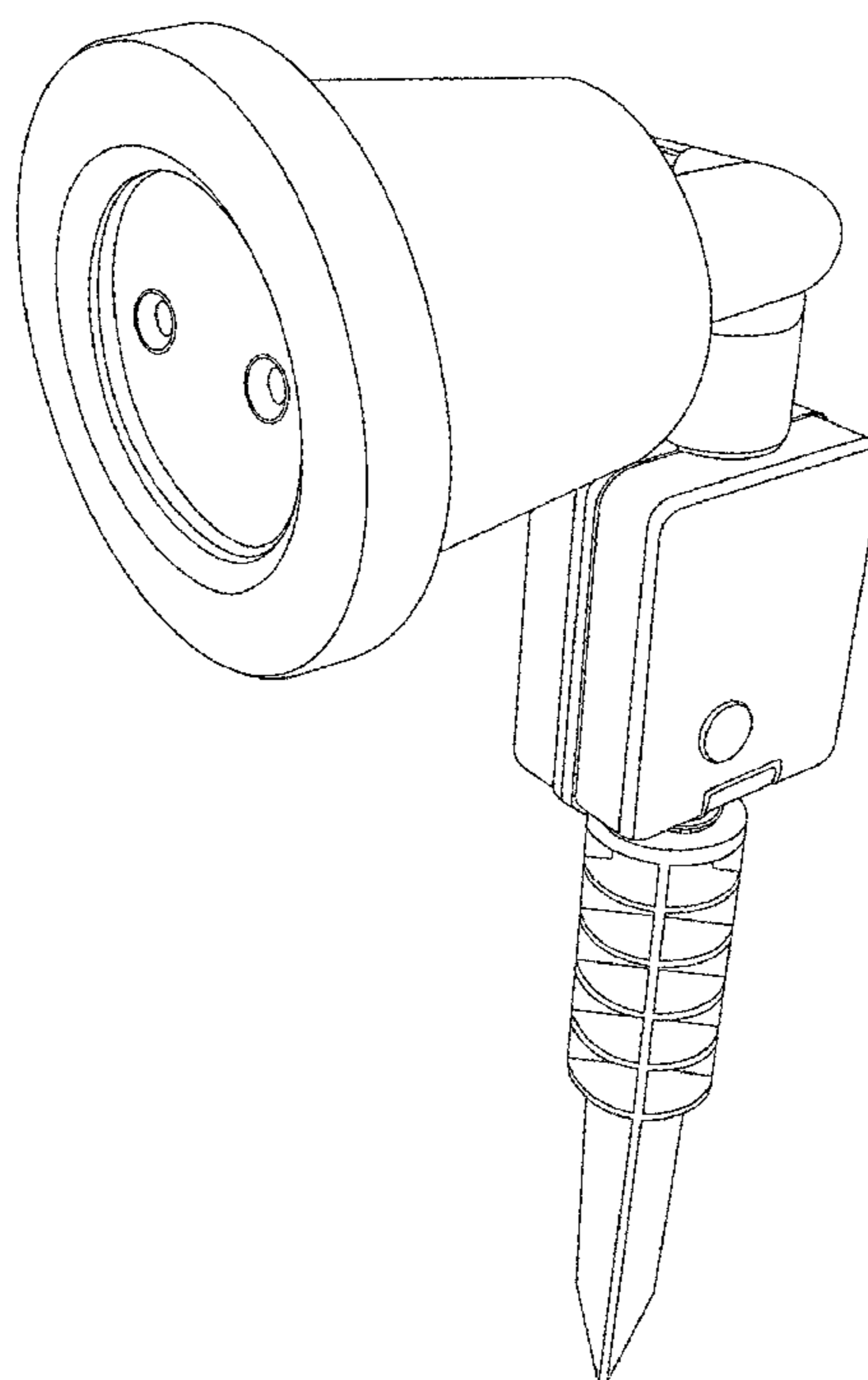
(57) **CLAIM**

The ornamental design for laser lawn lamp, as shown and described.

DESCRIPTION

FIG. 1 is a perspective view of a laser lawn lamp; FIG. 2 is a front elevation view thereof; FIG. 3 is a back elevation view thereof; FIG. 4 is a right side elevation view thereof; FIG. 5 is a left side elevation view thereof; FIG. 6 is a top plan view thereof; FIG. 7 is a bottom plan view thereof; and, FIG. 8 is another right side elevation view thereof showing a portion separated. The broken lines depict environment that forms no part of the claimed design.

1 Claim, 8 Drawing Sheets



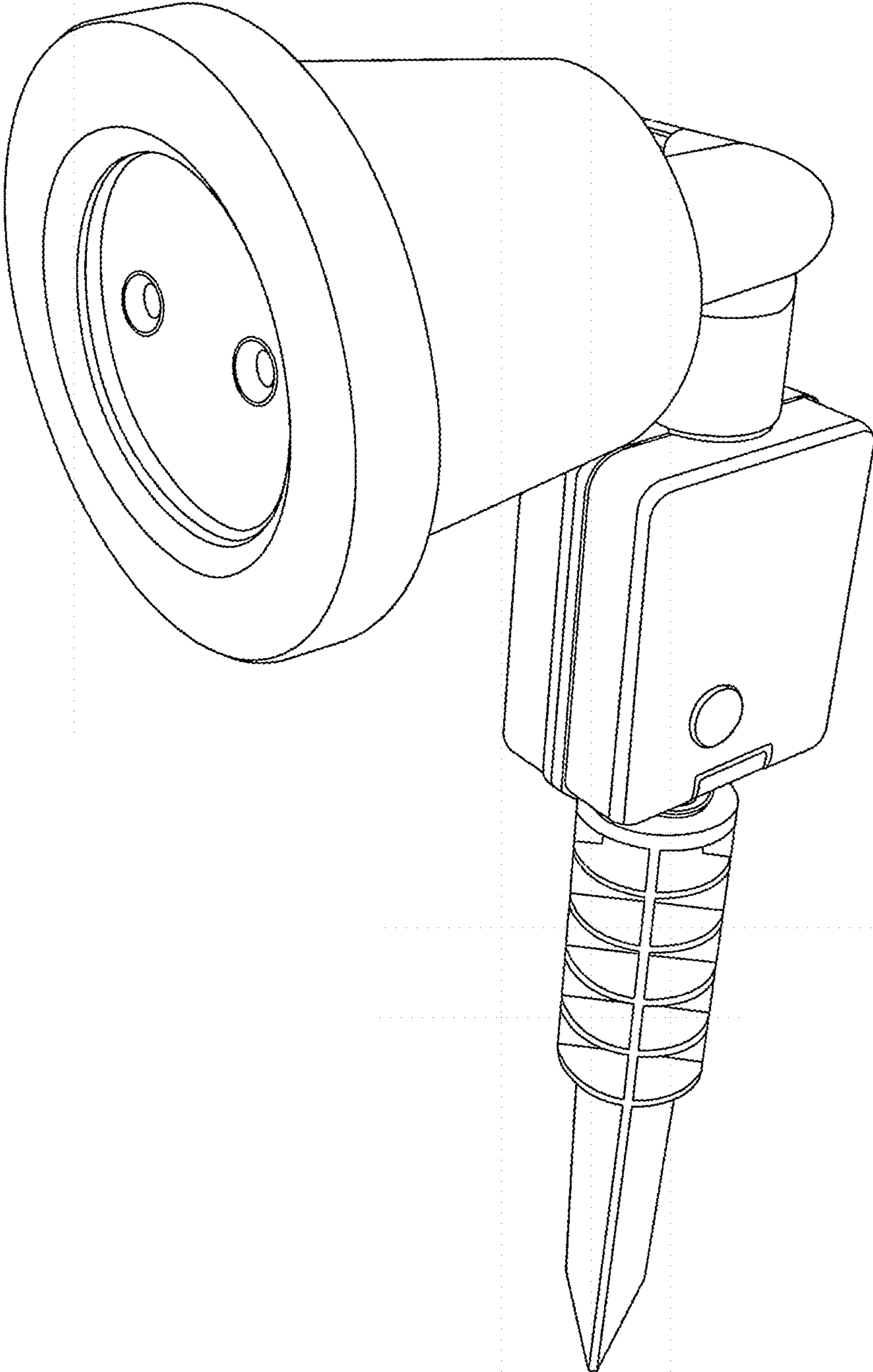


FIG. 1

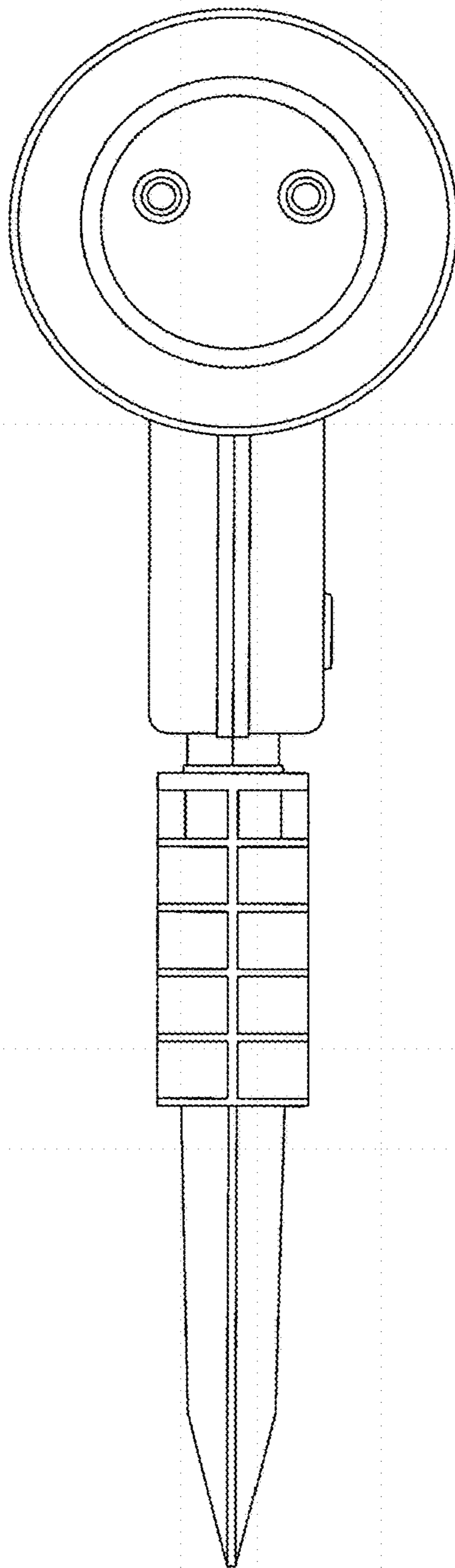


FIG.2

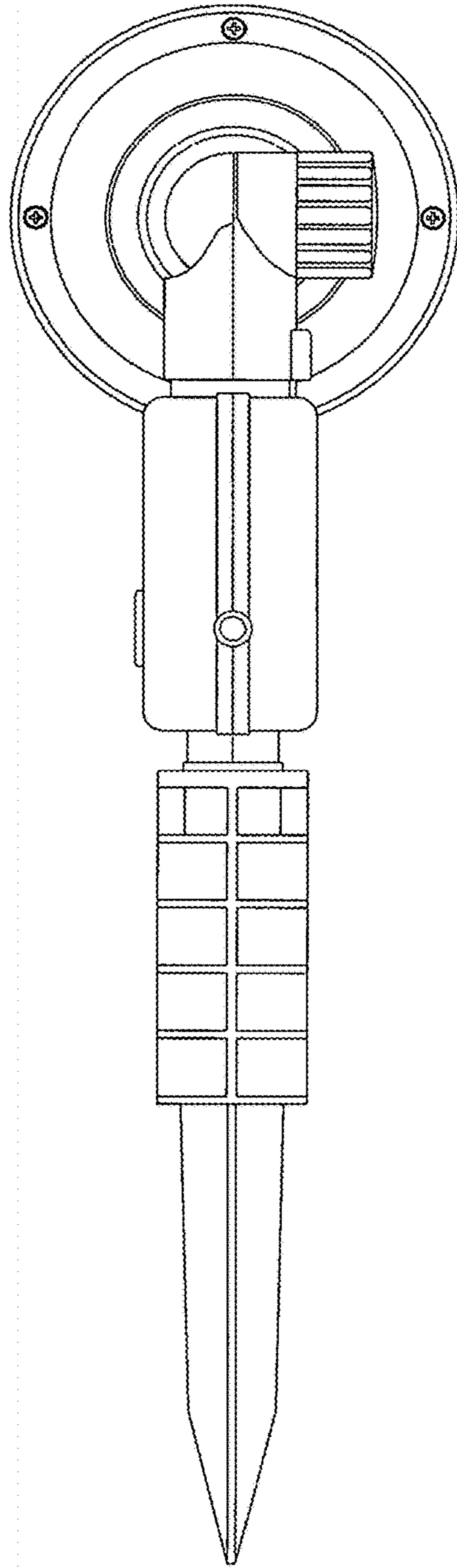


FIG.3

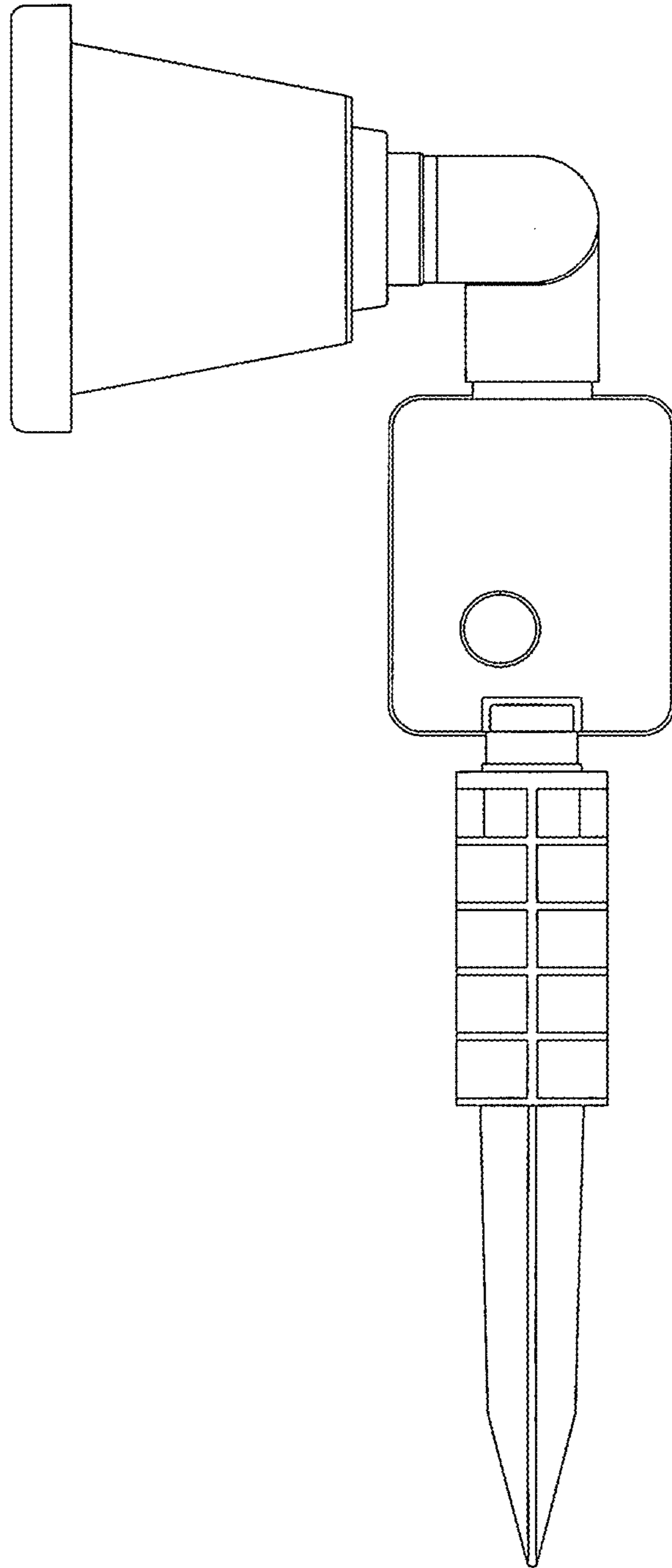


FIG.4

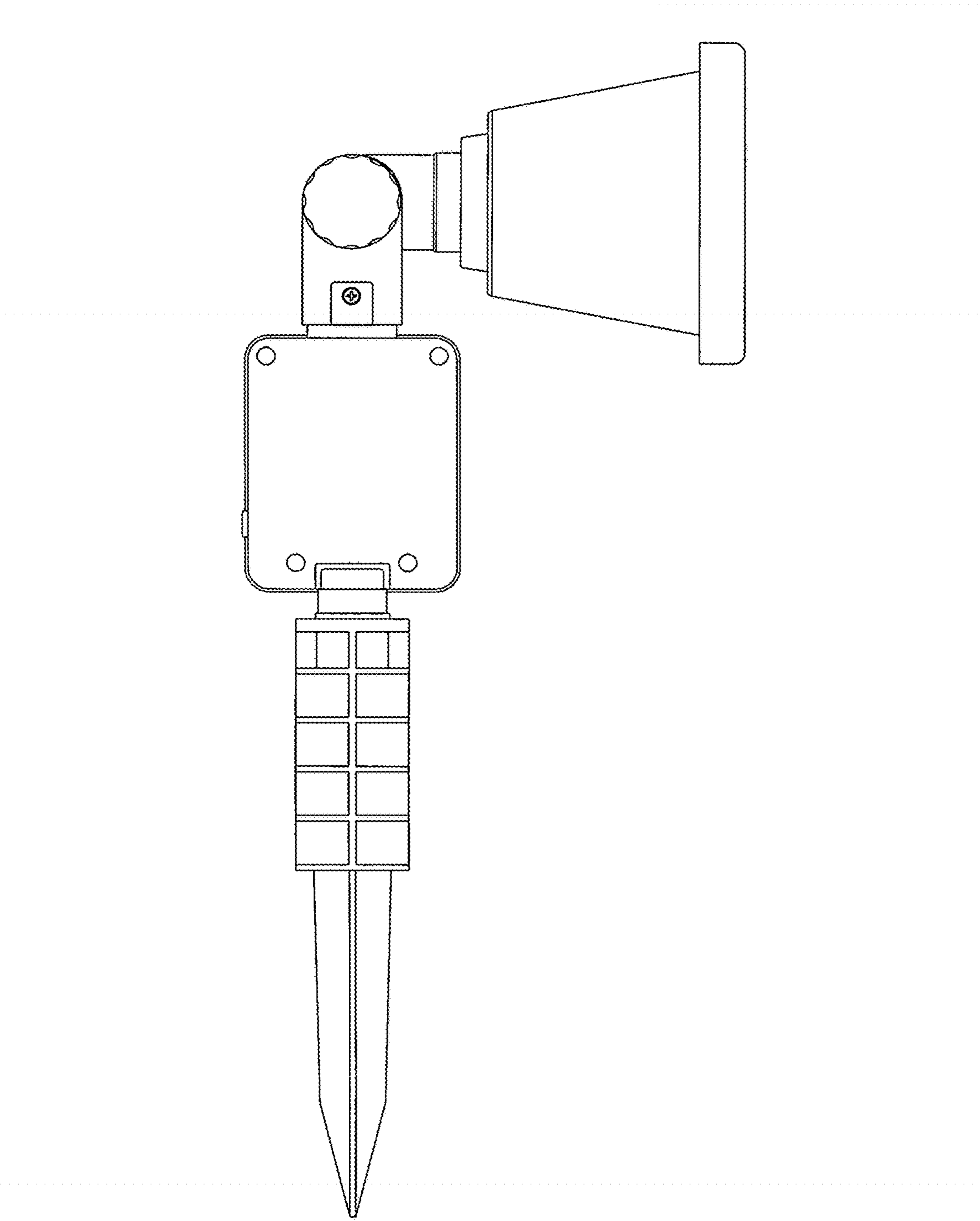


FIG.5

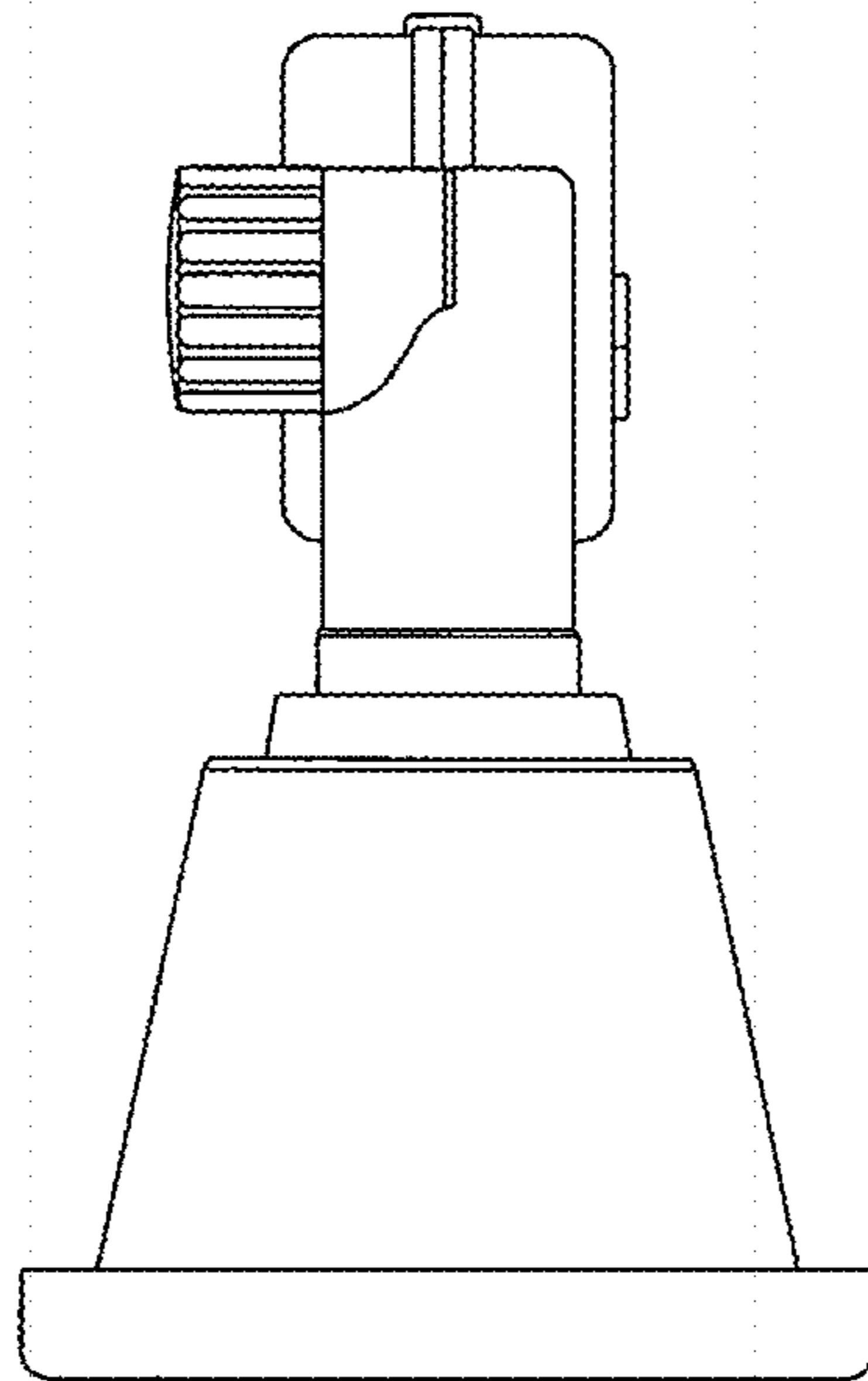


FIG.6

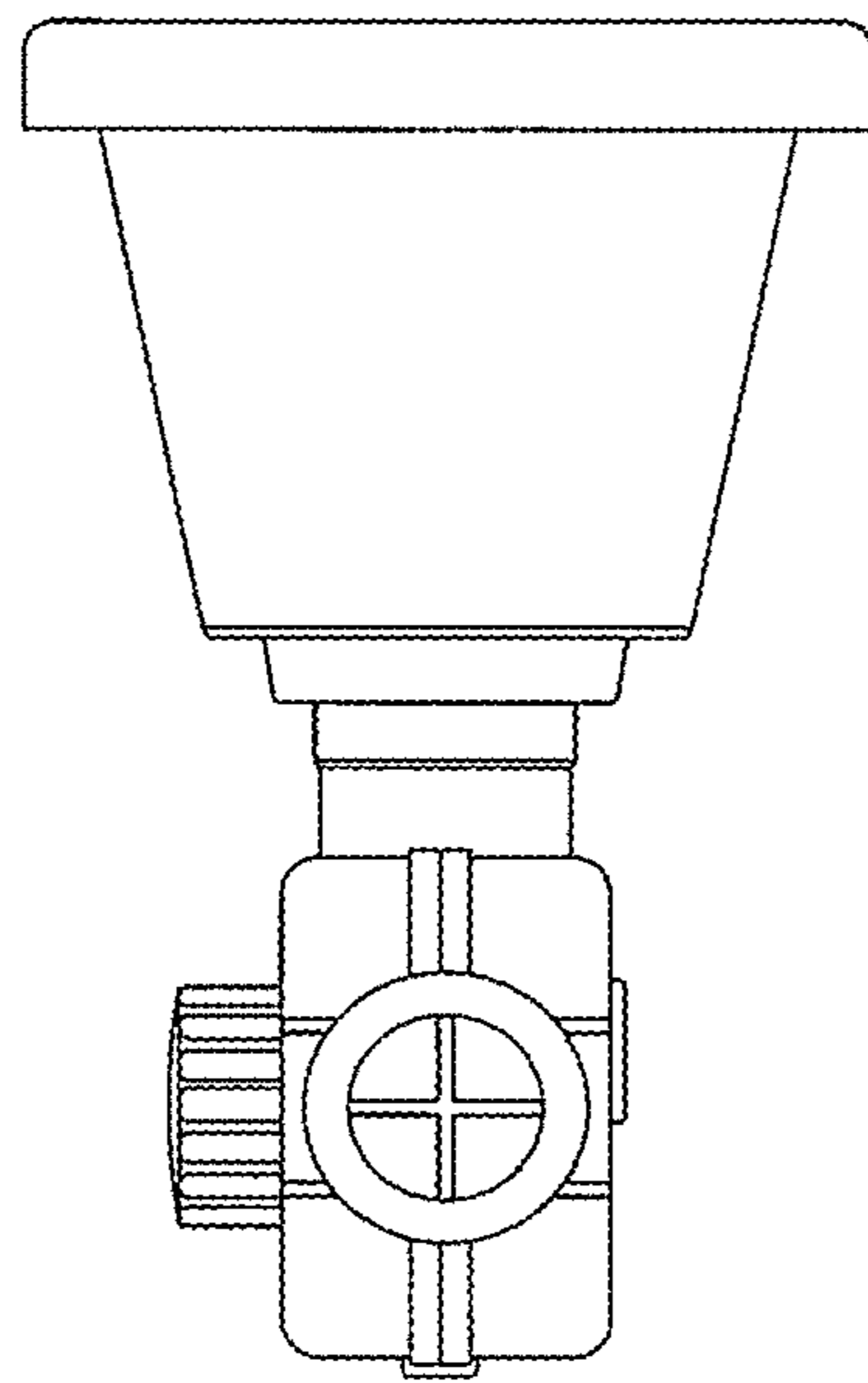


FIG. 7

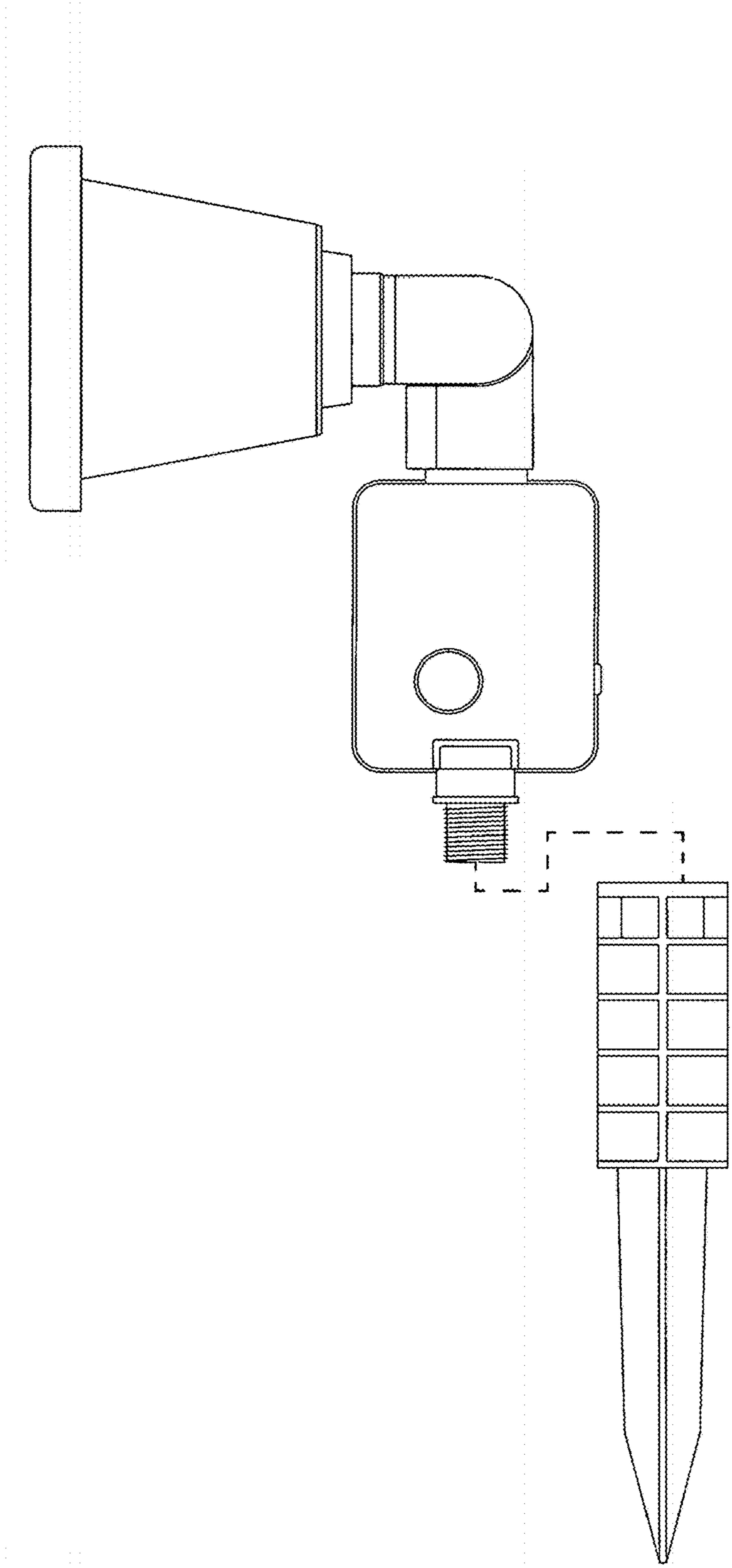


FIG. 8